



36" Sealed Burner Rangetops

The patented, dual-stacked sealed gas burners of our new sealed burner rangetop take control to a new level. Two levels, really. The upper-tier burner delivers maximum heat transfer at higher settings; the lower-tier continuous flame ably handles the subtleties of simmering and melting. The Wolf exclusive infrared charbroiler and infrared griddle ensure this rangetop stands out from the rest in performance and also beauty. Available in natural or LP gas.



Model SRT366



Model SRT364C



Model SRT364G

FEATURES

- Stainless steel exterior finish with island trim included.
- Optional infrared charbroiler and infrared griddle configurations.
- Distinctive red control knobs—black knobs optional.
- Platinum bezels surround all knobs—chrome or brass bezels optional.
- Dual-stacked, sealed burners, all with simmer capabilities and automatic reignition at all settings.
- Melt feature on 9,200 Btu burner.
- Porcelain-coated cast iron continuous grates.

SURFACE FEATURES

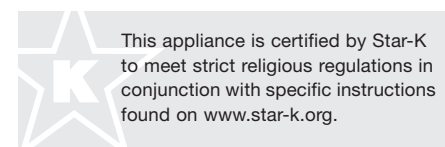
Model	SRT366	SRT364C	SRT364G
Surface Burners			
15,000 Btu high / 950 Btu simmer	5	3	3
Surface Burner			
9,200 Btu high / 325 Btu simmer	1	1	1
Infrared Charbroiler – 16,000 Btu		•	
Infrared Griddle – 15,000 Btu			•

Model numbers are for natural gas sealed burner rangetops, add (-LP) to the model number for LP gas.

ACCESSORIES

- Stainless steel risers in 5" and 10", or 20" riser with shelf.
- Black control knobs.
- Chrome or brass bezels.
- Porcelain-cast wok grate and single burner grate.
- Porcelain-cast two-burner S-grate.
- Hardwood cutting board (griddle model only).
- Griddle cleaning kit.

Accessories are available through your authorized Wolf dealer. For local dealer information, visit the find a showroom section of our website, wolfappliance.com.

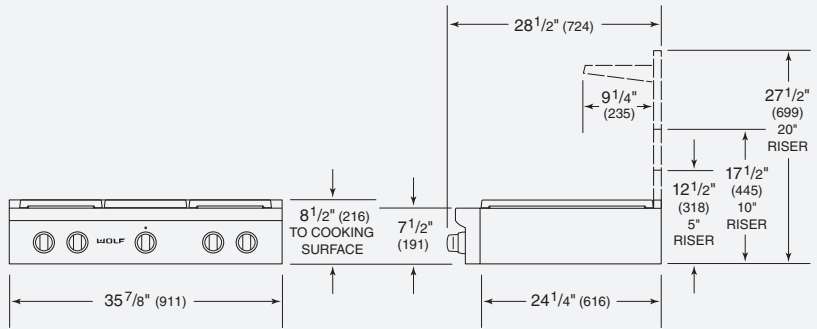


Dual-stacked sealed burner.



36" Sealed Burner Rangetops

OVERALL DIMENSIONS

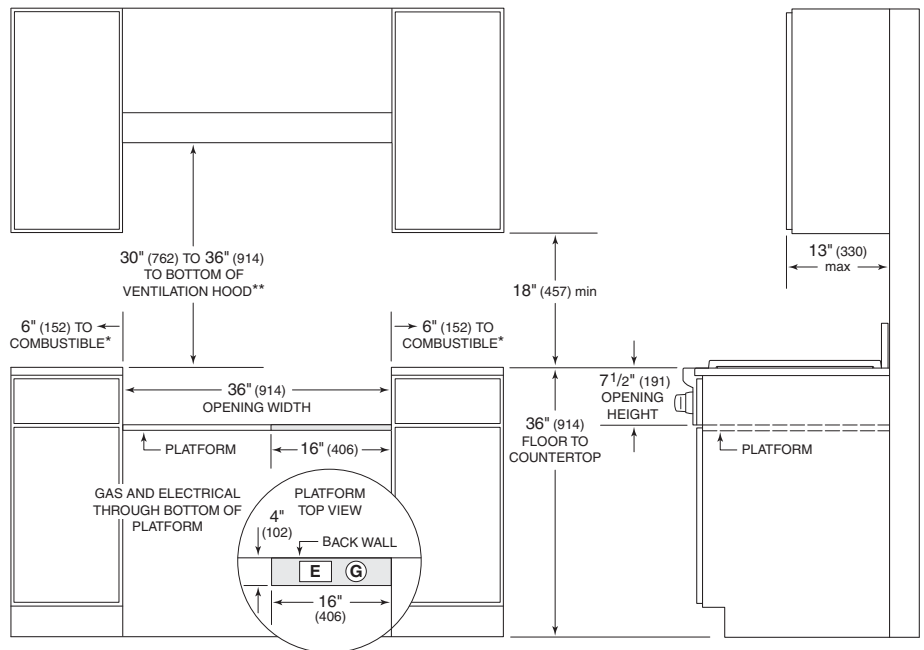


Unit dimensions may vary by $\pm 1/8$ ".

SPECIFICATIONS

Exterior Finish	Stainless Steel
Overall Width	35 7/8"
Overall Height (to cooking surface)	8 1/2"
Overall Depth	28 1/2"
Opening Width	36"
Opening Height (to countertop)	7 1/2"
Opening Depth	24"
Electrical Requirements	110/120 V AC 50/60 Hz, 15 amp circuit
Power Cord	6' cord with grounded plug
Shipping Weight	190–220 lbs

INSTALLATION SPECIFICATIONS



*Minimum clearance from rough opening to combustible materials up to 18" (457) above countertop.

**36" (914) minimum clearance, 44" (1118) for charbroiler, from countertop to combustible materials without ventilation hood.

NOTE: For island installations, 12" (305) minimum clearance from back of rangetop to combustibles rear wall above countertop.

INSTALLATION NOTES

- A riser is required for installations against a combustible surface.
- A Wolf pro wall, chimney, island ventilation hood or hood liner is recommended.
- For LP gas installations above 8,600' a high altitude conversion kit is required. For natural gas installations above 10,250', contact your authorized Wolf dealer.

Dimensions in parentheses are in millimeters unless otherwise specified.