

**MDD30PE/S/PH**

**FEATURES**

Integrates into any kitchen

---

Matches E series ovens, coffee systems, convection steam oven

---

900 watts of power

---

Quick-start controls for popular items

---

Generous 1.6. cu. ft. capacity

---

Gourmet mode cooks automatically from preset recipes

---

"Keep Warm" mode

---

Rigorously tested in our U.S. manufacturing facilities for decades of use

---

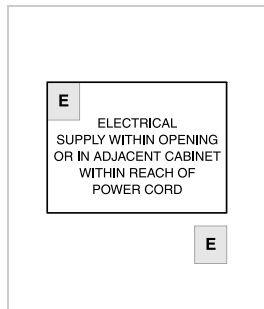
Exceptional 24/7 support from our Customer Care team in Madison



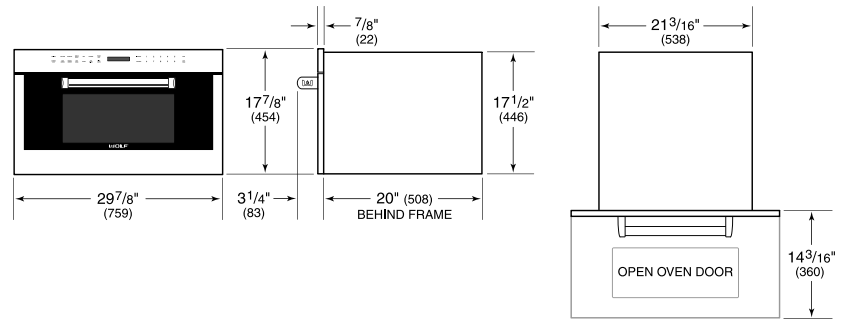
**PRODUCT SPECIFICATIONS**

Model	MDD30PE/S/PH
Dimensions	29 7/8"W x 17 7/8"H x 20"D
Door Clearance	14 3/16"
Weight	80 lb
Electrical Supply	120 VAC, 60 Hz
Electrical Service	15 amp dedicated circuit
Overall Capacity	1.6 cu ft
Power Cord Length	4 feet

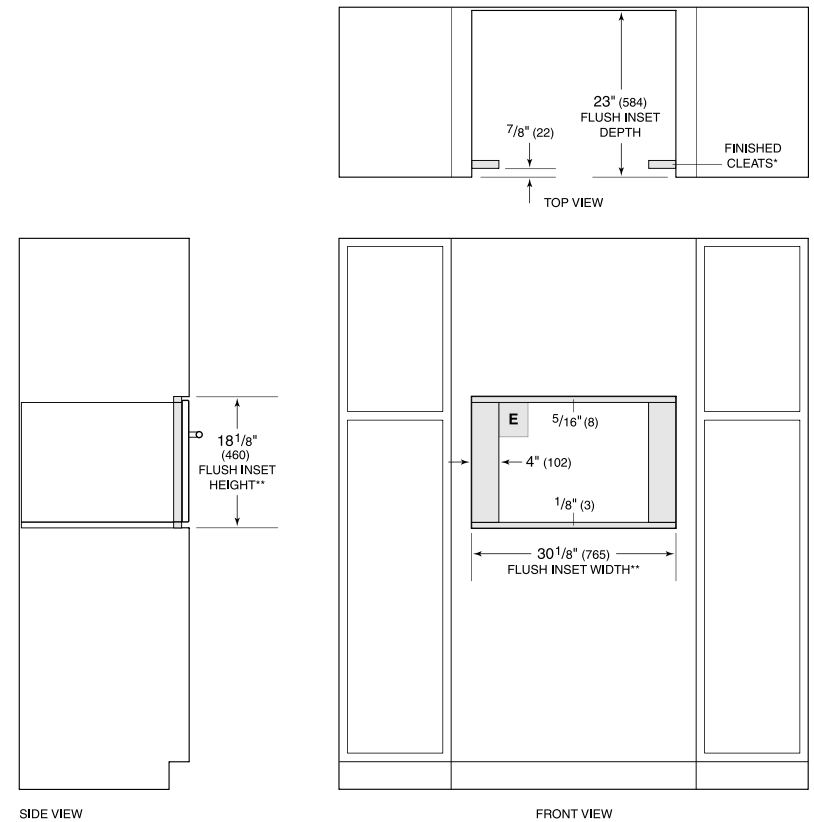
**ELECTRICAL**



**DIMENSIONS**



**INSTALLATION**



\*Will be visible and should be finished to match cabinetry.  
 \*\*Dimension provides minimum reveals.