

MDD30CM/B/TH

FEATURES

Integrates into any kitchen

Matches M series ovens, coffee systems, convection steam oven

900 watts of power

Generous 1.6. cu. ft. capacity

Quick-start controls for popular items

Gourmet mode cooks automatically from preset recipes

"Keep Warm" mode

Rigorously tested in our U.S. manufacturing facilities for decades of use

Exceptional 24/7 support from our Customer Care team in Madison

ACCESSORIES

Black Handle

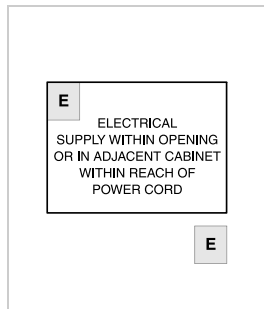
Accessories available through an authorized Sub-Zero dealer.
For local dealer information, visit subzero-wolf.com/locator.



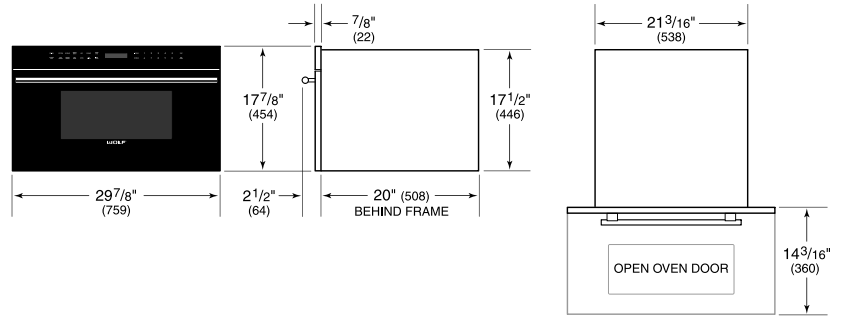
PRODUCT SPECIFICATIONS

Model	MDD30CM/B/TH
Dimensions	29 7/8"W x 17 7/8"H x 20"D
Door Clearance	14 3/16"
Weight	80 lb
Electrical Supply	120 VAC, 60 Hz
Electrical Service	15 amp dedicated circuit
Overall Capacity	1.6 cu ft
Power Cord Length	4 feet

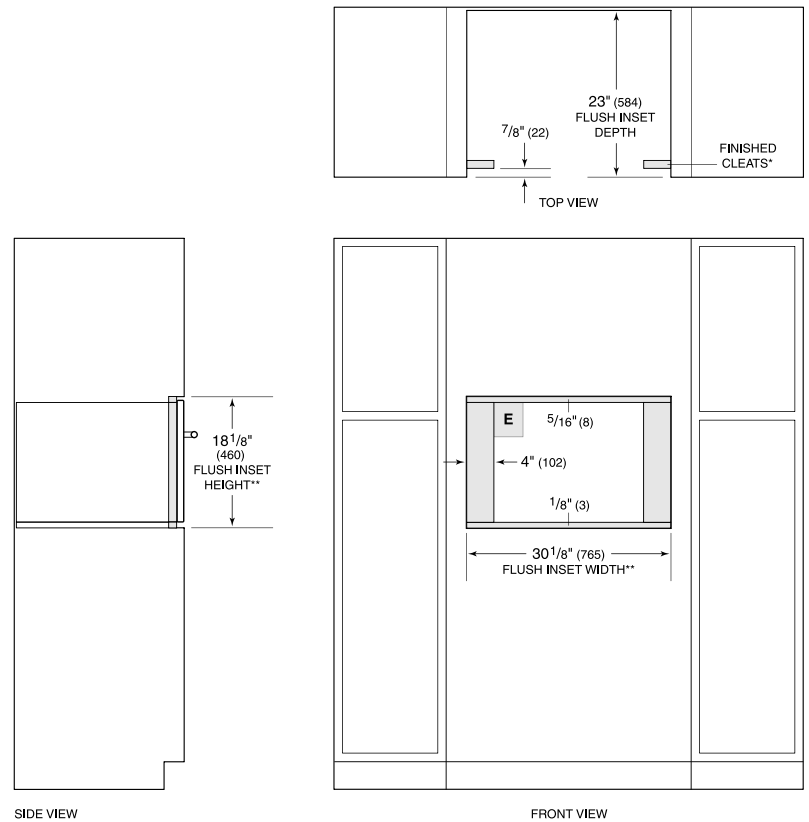
ELECTRICAL



DIMENSIONS



INSTALLATION



*Will be visible and should be finished to match cabinetry.
 **Dimension provides minimum reveals.