



Multifunction Cooktop Installation Guide



Contents

- 3 Multifunction Cooktop
- 4 Specifications
- 7 Installation
- 7 Troubleshooting

Features and specifications are subject to change at any time without notice. Visit wolfappliance.com/specs for the most up-to-date information.

Important Note

To ensure this product is installed and operated as safely and efficiently as possible, take note of the following types of highlighted information throughout this guide:

IMPORTANT NOTE highlights information that is especially important.

CAUTION indicates a situation where minor injury or product damage may occur if instructions are not followed.

WARNING states a hazard that may cause serious injury or death if precautions are not followed.

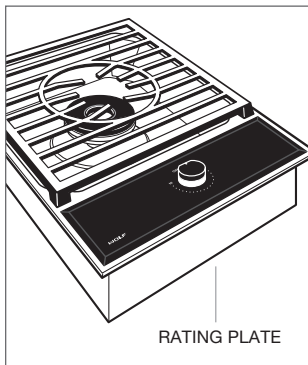
IMPORTANT NOTE: Throughout this guide, dimensions in parentheses are millimeters unless otherwise specified.

IMPORTANT NOTE: Save these instructions for the local electrical inspector.

Product Information

Important product information including the model and serial number are listed on the product rating plate. The rating plate is located on the bottom of the cooktop. Refer to the illustration below.

If service is necessary, contact Wolf factory certified service with the model and serial number. For the name of the nearest Wolf factory certified service or for questions regarding the installation, visit the contact & support section of our website, wolfappliance.com or call Wolf customer care at 800-222-7820.



Rating plate location.

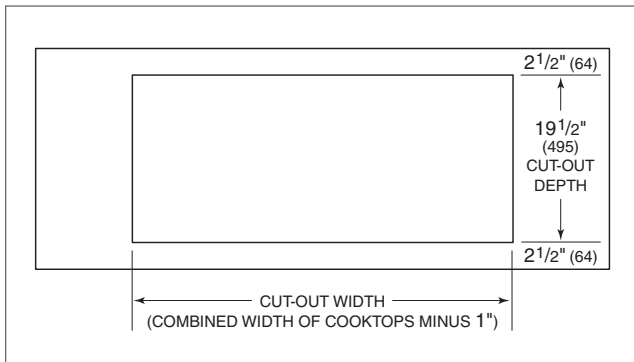
Installation Requirements

A minimum 2" (51) is required from the bottom of the cooktop to combustible materials. If the cooktop is installed above an oven, a minimum of 1/4" (6) is required between units. Refer to the illustration on page 6 for additional minimum clearances.

⚠ WARNING
 Failure to locate the cooktop without proper clearances will result in a fire hazard.

MULTIPLE COOKTOPS

When multiple cooktops or modules are installed side by side, the countertop cut-out width is determined by adding the width of each unit, then subtracting 1" (25). Refer to the illustration below.



Countertop cut-out.

Electrical

Installation must comply with all applicable electrical codes.

Locate the electrical supply as shown in the illustration on page 6. A separate circuit, servicing only this appliance is required. A ground fault circuit interrupter (GFCI) is not recommended and may cause interruption of operation.

When multiple cooktops or modules are installed side by side, each unit must have its own separate recommended electrical circuit.

ELECTRICAL REQUIREMENTS	
Electrical Supply	grounded, 120 VAC, 60 Hz
Service	15 amp dedicated circuit
Receptacle	3-prong grounding-type
Power Cord	6' (1.8 m)

SPECIFICATIONS

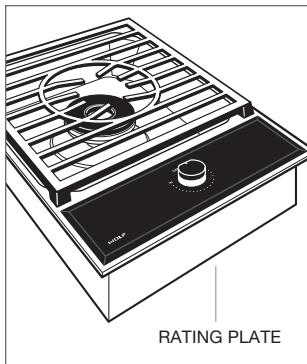
Gas Supply

Installation must conform with local codes or, in the absence of local codes, with the National Fuel Gas Code.

Locate the gas supply as shown in the illustration on the following page.

The cooktop is equipped for use with natural or liquid propane (LP) gas. It is design certified by the Canadian Standards Association (CSA) for natural or LP gases. The product rating plate has information on the type of gas that should be used. For rating plate location, refer to the illustration below. If this information does not agree with the type of gas available, check with the local gas supplier. The gas pressure regulator is built into the unit.

GAS REQUIREMENTS	
NATURAL GAS	WC
Supply Pressure	5" (12.5 mb)
Min Line Pressure	7" (17.5 mb)
Max Regulator Pressure	14" (34.9 mb), .5 psi (3.5 kPa)
LP GAS	WC
Supply Pressure	10" (25 mb)
Min Line Pressure	11" (27.4 mb)
Max Regulator Pressure	14" (34.9 mb), .5 psi (3.5 kPa)



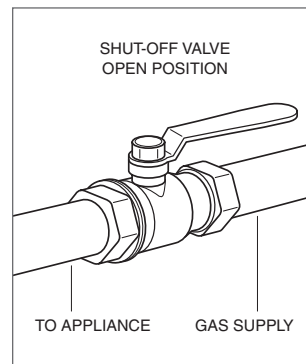
Rating plate location.

The cooktop must be connected to a regulated gas supply. The supply line must be equipped with an approved external gas shut-off valve located near the cooktop in an accessible location. Do not block access to the shut-off valve. Refer to the illustration below.

A gas supply line of $\frac{3}{4}$ " (19) rigid pipe must be provided to the cooktop. If local codes permit, a certified, 3' (.9 m) long, $\frac{1}{2}$ " (13) or $\frac{3}{4}$ " (19) ID flexible metal appliance connector is recommended to connect the unit's $\frac{1}{2}$ " NPT male inlet to the gas supply line. Pipe joint compounds, suitable for use with natural or LP gas should be used.

The appliance and its shut-off valve must be disconnected from the gas supply piping system during any pressure testing of the system at test pressures in excess of .5 psi (3.5 kPa). The appliance must be isolated from the gas supply piping system by closing its individual manual shut-off valve during any pressure testing of the system at test pressures equal to or less than .5 psi (3.5 kPa).

Wolf natural gas cooktops will function up to 10,250' (3124 m) in altitude without adjustment and LP gas cooktops will function up to 8,600' (2621 m). If the installation exceeds these elevations, contact your authorized Wolf dealer for a high altitude conversion kit.

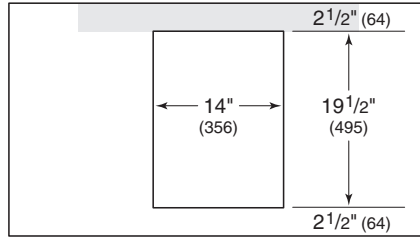


Gas shut-off valve.

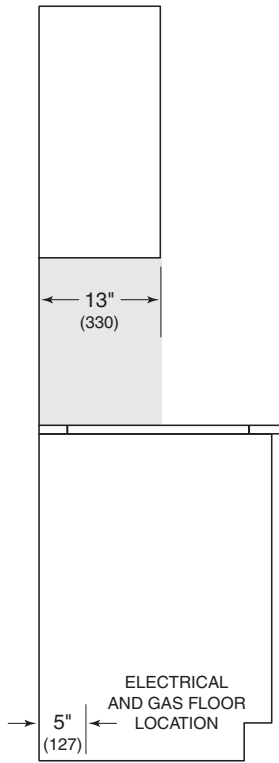
SPECIFICATIONS

Multifunction Cooktop

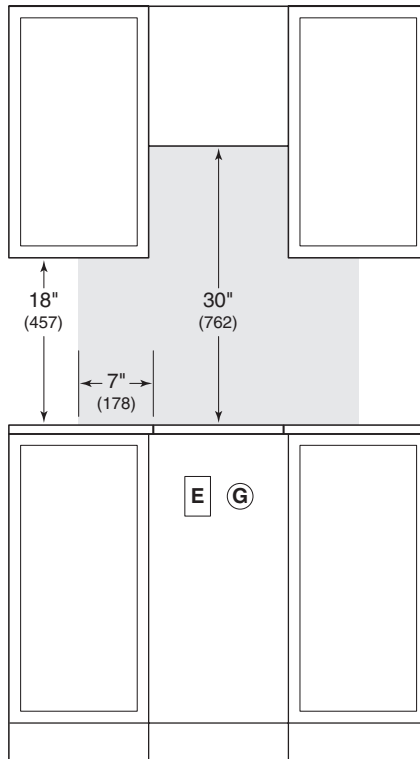
INSTALLATION



COUNTERTOP CUT-OUT



SIDE VIEW



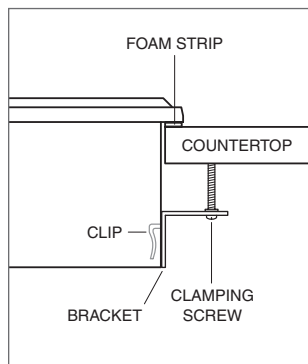
FRONT VIEW

NOTE: Shaded area above countertop indicates minimum clearance to combustible surfaces, combustible materials cannot be located within this area.

Cooktop Installation

Remove cooktop and components from the shipping package and recycle packing materials.

- 1 Lower the cooktop into the countertop cut-out. Center the cooktop in the opening with the front edge aligned parallel to the front edge of the countertop. Using a pencil, outline the rear edge of the cooktop on the countertop. Remove the cooktop.
- 2 Apply the foam strip to the perimeter of the countertop opening. Refer to the illustration below. Do not seal the cooktop to the countertop.
- 3 Insert the cooktop into the opening, aligning the rear edge with the pencil line. Verify the cooktop is aligned with the front edge of the countertop.
- 4 To attach brackets to the sides of the cooktop, insert clips into the side punchouts and press down. Install clamping screws into the brackets and tighten until screws contact the underside of the countertop. Do not overtighten. Refer to the illustration below.



Cooktop installation.

Gas Supply Connection

All connections to the gas piping must be wrench-tightened. Do not overtighten or allow pipes to turn when tightening.

- 1 If a flexible metal connector is being used, verify it is not kinked, then attach the gas supply line to the regulator on the cooktop.
- 2 Open the valve and check for leaks by placing a liquid detergent solution onto all gas connections. Bubbles around connections indicate a gas leak. If a leak appears, close the shut-off valve and adjust connections.

Troubleshooting

IMPORTANT NOTE: If the cooktop does not operate properly, follow these troubleshooting steps:

- Verify electrical power is supplied to the cooktop.
- Verify the gas supply shut-off valve is in the open position.
- If the cooktop does not operate properly, contact Wolf factory certified service. Do not attempt to repair the cooktop. Wolf is not responsible for service required to correct a faulty installation.



WOLF APPLIANCE, INC. P.O. BOX 44848 MADISON, WI 53744 WOLFAPPLIANCE.COM 800.222.7820

9003608 REV-B

3/2015

