

INSTALLATION GUIDE

Undercounter Refrigeration



Contents

| | |
|---------------------------------------|----|
| Undercounter Refrigeration | 3 |
| Undercounter Specifications | 4 |
| Site Preparation | 5 |
| Undercounter Installation | 7 |
| Service Information | 14 |

Features and specifications are subject to change at any time without notice. Visit subzero.com/specs for the most up-to-date information.

IMPORTANT NOTE: Throughout this guide, dimensions in parentheses are millimeters unless otherwise specified.

Important Note

To ensure the safe and efficient installation of Sub-Zero equipment, please take note of the following types of highlighted information throughout this guide:

IMPORTANT NOTE highlights information that is especially relevant to a problem-free installation.

CAUTION signals a situation where minor injury or product damage may occur if instructions are not followed.

WARNING states a hazard that may cause serious injury or death if precautions are not followed.



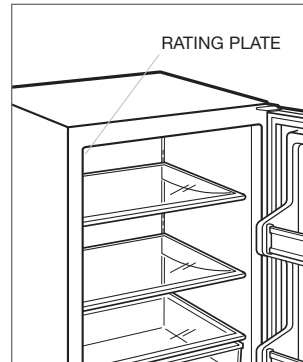
Sub-Zero Undercounter Refrigeration

IMPORTANT NOTE: The importance of the installation of the Sub-Zero undercounter unit cannot be overemphasized. Installation should be done by a qualified installer.

Before you begin the installation process, it is recommended that you read this entire installation guide. There are key details that you should take special care to observe during the installation. By reading these instructions carefully, you will make the installation process easier, problem-free and, most importantly, safe.

Any questions or problems regarding the installation should be directed to your authorized Sub-Zero dealer or Sub-Zero customer care at 800-222-7820. You may also check the contact & support section of our website, subzero.com.

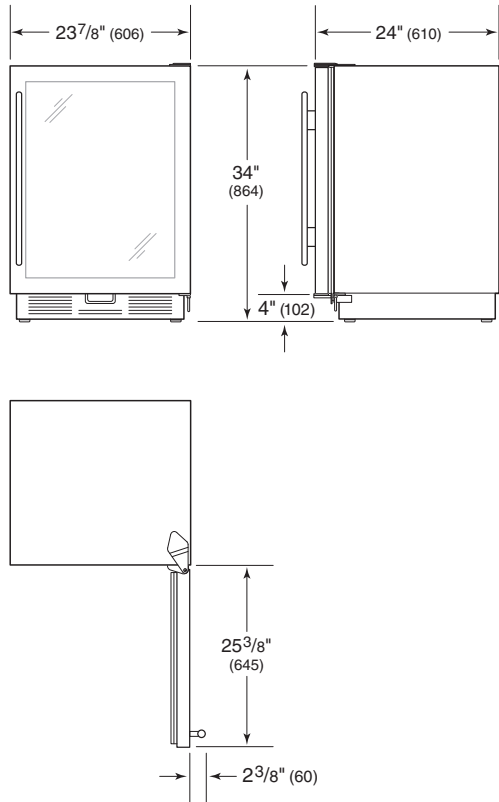
Important product information, including the model and serial number of your unit are listed on the product rating plate, located inside the cabinet, in the upper left area of the unit. Refer to the illustration.



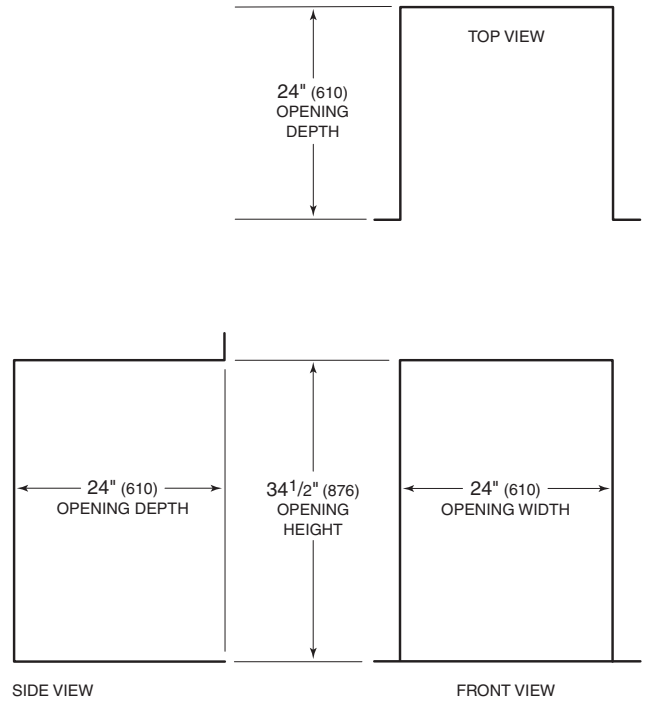
Location of rating plate.

Undercounter Models

OVERALL DIMENSIONS



OPENING DIMENSIONS



| Specifications | | |
|-----------------------------|--------------------|--------------------|
| INTERIOR CAPACITY | R CU FT (L) | F CU FT (L) |
| UC-24R, UC-24BG and UC-24RO | 5.7 (161) | |
| UC-24C(I) | 3.6 (102) | 1.1 (31) |
| SHIPPING WEIGHT | | LBS (KG) |
| All Models | | 130 (59) |

Before You Start

Make sure the opening dimensions, door clearance, electrical service and plumbing are correct for the model you are about to install. Refer to specifications on the following pages.

IMPORTANT NOTE: To operate properly, the door must open a minimum of 90°. Use a minimum 3" (76) filler in corner installations to assure a 90° door opening. Allow enough clearance in front of the unit for full door swing.

TOOLS AND MATERIALS REQUIRED

- Appliance dolly able to support 130 lbs (59 kg)
- Level — 2' (.6 m) and 4' (1.2 m) recommended
- Phillips and slotted screwdriver sets
- Wrench set and allen wrench set
- Crescent wrenches
- Various sized pliers
- $\frac{5}{16}$ " hex bolt nut driver
- Drill and assorted drill bits
- Model UC-24CI—4' (1.2 m) of $\frac{1}{4}$ " copper, braided stainless steel or PEX tubing and saddle valve for water line (do not use self-piercing valves).
- Model UC-24CI—Tubing cutter.
- Masonite, plywood, $\frac{1}{8}$ " pressed fiberboard, cardboard or other suitable material to protect finished flooring

Electrical Requirements

The electrical supply should be located within the shaded area shown in the illustration below. Follow the National Electrical Code and local codes and ordinances when installing the receptacle. A separate circuit, servicing only this appliance is required.

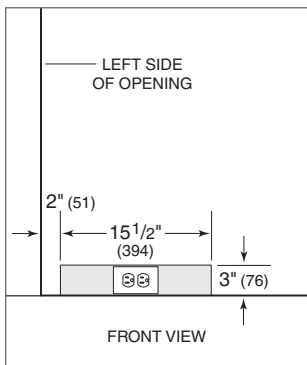
IMPORTANT NOTE: The electrical outlet must be placed so the grounding prong is to the right of the thinner blades. The outlet must be flush with the back wall.

Model UC-24RO is designed and safe for use in outdoor applications. When installed outdoors, a ground fault circuit interrupter (GFCI) is required to reduce the risk of electrical shock. A GFCI is not recommended for use with other undercounter models and may cause interruption of operation.

⚠ WARNING

Do not use an extension cord or two-prong adapter. Electrical ground is required on this appliance.

| Electrical Requirements | |
|-------------------------|------------------------|
| Power Supply | 115 V AC, 60 Hz |
| Circuit Breaker | 15 amp |
| Receptacle | 3-prong grounding-type |



Location of electrical supply.

Plumbing Requirements

MODEL UC-24CI

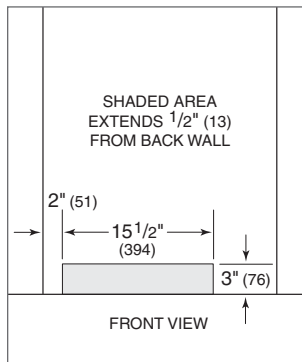
For model UC-24CI, the water supply line for the ice maker should be located within the shaded area shown in the illustration below. Connect the water line from the ice maker water valve to the house water supply line. Use an easily accessible shut-off valve between the water supply and the unit. Do not use self-piercing valves. A saddle valve kit is available from your authorized Sub-Zero dealer.

A line filter is required when water conditions have a high sediment content. The ice maker operates on water pressure of 20 psi (1.4 bar) to 100 psi (6.9 bar).

A reverse osmosis system can be used, provided there is a consistent water pressure of 20 psi (1.4 bar) to 100 psi (6.9 bar) supplied to the water valve at all times. A copper line is not recommended for this application.

IMPORTANT NOTE: In some cases a reverse osmosis water filter system may not be able to maintain the minimum water pressure consistently.

| Plumbing Requirements | |
|----------------------------------|---|
| Water Supply Line | 1/4" OD copper, braided stainless steel or PEX tubing |
| Water Pressure | 20–100 psi (1.4–6.9 bar) |
| Excess Water Line for Connection | 26" (660) min |



Location of water supply.

Unpack the Unit

Before moving the undercounter unit into position, make sure all opening dimensions, electrical and plumbing requirements are complete and accurate.

IMPORTANT NOTE: The floor under the undercounter unit must be at the same level as the surrounding finished floor to allow for removal of the unit for servicing.

Use an appliance dolly to move the undercounter unit near the installation opening. Position the dolly at the side of the unit to prevent damage to finished surfaces. Remove and discard all packing materials and tape.

IMPORTANT NOTE: Do not discard the kickplate, anti-tip bracket, hardware and the shipping bolts that hold the wood to the bottom of the unit (leveling legs). These items will be needed for the installation.

For models UC-24BG and UC-24C(I), the roller-assembly wine shelves should be removed to reduce weight and prevent them from rolling. To remove, pull the shelf out to its full extension, gently and evenly lift up on both sides of the front of the shelf and remove. Reverse the procedure to reinstall the shelf.

⚠ CAUTION

Before moving the undercounter unit into position, protect any finished flooring with appropriate materials and secure the door closed.

Anti-Tip Bracket

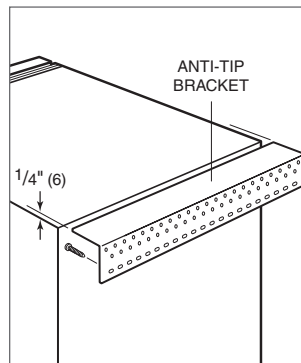
⚠ WARNING

To prevent the unit from tipping forward and provide a stable installation, the unit must be secured in place with the anti-tip bracket.

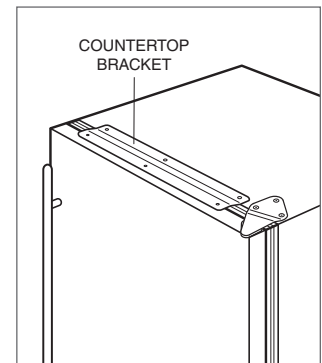
An anti-tip bracket and hardware is provided with the undercounter unit. Placement of the anti-tip bracket is critical to a stable installation. The anti-tip bracket must be installed securely.

The anti-tip bracket should be attached to the wall behind the unit with the bracket flange located immediately above the top of the unit. Refer to the illustration below.

For installations that cannot accommodate the anti-tip bracket, the optional countertop bracket (provided) can be used to secure the undercounter unit. This bracket will secure the front of the unit to the underside of the countertop, above the unit. Refer to the illustration below. If it is not possible to use the countertop bracket, wedge shims along the sides and top of the unit to secure.



Anti-tip bracket.



Countertop bracket.

Installation

IMPORTANT NOTE: If the undercounter unit has been laid on its back or side, you must allow the unit to stand upright for a minimum of 24 hours before connecting power.

With the undercounter unit near the installation opening, plug the power cord into the electrical outlet. With power applied to the unit, check for lighting and cooling. Once you are satisfied that the unit is operating properly, shut off power to the electrical outlet at the circuit breaker and proceed.

LEVEL THE UNIT

Level the unit before sliding it into position. Leveling cannot be completed with the unit pushed back in the installation opening.

Using an adjustable wrench or pliers, turn each of the four leveling legs clockwise to raise the unit and counterclockwise to lower the unit. For the location of the leveling legs, refer to the illustration.

⚠ WARNING

To reduce the possibility of the unit tipping forward, the front leveling legs must be in contact with the floor.

POSITION THE UNIT

Slide the undercounter unit back into position in the installation opening. Make sure it contacts the anti-tip bracket for a stable installation.

The undercounter unit provides the best access to its contents when the front surface of the door panel extends out from surrounding cabinets approximately $\frac{1}{4}$ " (6).

WATER LINE CONNECTION (MODEL UC-24CI)

For model UC-24CI, connect the plastic tubing from the ice maker to the house water supply line with the fitting connection kit, provided. Check all water line fittings for leaks.

Purge the water line prior to final connection to the unit. This will remove any debris that may be present in the tubing from installing the new water line.

IMPORTANT NOTE: Let your customer know that the ice maker will not produce ice immediately, and that the first few batches of ice produced should be discarded. Allow 24 hours for proper ice production.

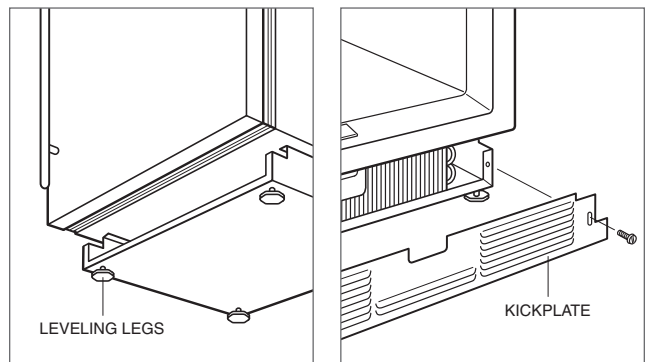
IMPORTANT NOTE: Water lines must not be exposed to freezing temperatures. Exposure could cause damage to the unit and home.

INSTALL KICKPLATE

Install the kickplate using the two #10 x $\frac{1}{2}$ " stainless steel screws that are provided with the kickplate. Refer to the illustration below.

The kickplate must be removed for servicing. The floor cannot interfere with removal. Do not cover the louvered section of the kickplate to allow proper air circulation.

Turn power back on to the electrical outlet.



Location of leveling legs.

Kickplate installation.

Door Panel

MODELS UC-24R AND UC-24C(I)

Models UC-24R and UC-24C(I) can be fitted with a custom overlay or stainless steel door front panel. A stainless steel door panel with tubular or pro handle is available as a sales accessory. Installation of the stainless steel panel will be required.

For the overlay application, a decorative door panel and handle hardware must be provided. Refer to the chart for panel specifications.

You can match your handle hardware with surrounding cabinetry or use a Sub-Zero accessory handle. Handles must be attached directly to the overlay panel.

BEVERAGE CENTER MODEL UC-24BG

Stainless steel model UC-24BG/S is shipped from the factory with the stainless steel door panel and tubular or pro handle in place. No panel installation is required.

For overlay model UC-24BG/O, a decorative frame door panel must be provided to surround the glass. The inside edges of the panel that will be visible through the glass must be finished. Refer to the chart for panel specifications.

You may also use your own handle hardware to match surrounding cabinetry. If you do not use the pre-drilled holes on the door of the unit, you will need to attach the handle directly to the overlay panel.

IMPORTANT NOTE: For installations at or above 5,000' (1524 m) in altitude, a special high altitude glass door unit must be ordered.

| Panel Specifications | | |
|----------------------------|--|--|
| OVERLAY PANEL | W | H |
| UC-24R, UC-24BG, UC-24C(I) | 23 ³ / ₄ " (603) | 30 ¹ / ₁₆ " (764) |
| RAILS AND STILES | | W |
| UC-24BG | | 2 ¹ / ₄ " (57) min |
| MAX PANEL WEIGHT | | |
| UC-24R and UC-24C(I) | | 20 lbs (9 kg) |
| UC-24BG | | 10 lbs (5 kg) |
| MIN PANEL THICKNESS | | |
| Overlay Panels | | ⁵ / ₈ " (16) |

OUTDOOR MODEL UC-24RO

Model UC-24RO is shipped from the factory with the stainless steel door panel and tubular or pro handle in place. No panel installation is required.

IMPORTANT NOTE: Model UC-24RO must be built into cabinetry and cannot be used in a freestanding application.

⚠ CAUTION

A solid panel must not be installed over the glass door, as this may cause moisture to form behind the panel.

Overlay Panel Installation

MODELS UC-24R AND UC-24C(I)

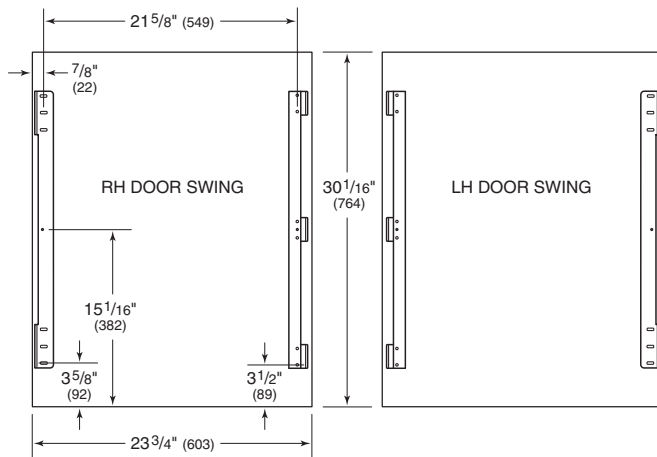
Inspect the overlay door panel for minimum thickness and weight limit. Remove the two panel mounting brackets attached to the front of the door and set aside.

Place the overlay panel lying face down on a protected surface to ensure that the front is not scratched or damaged. Position the plastic template (provided) flush with the lower edge of the door panel. Be sure you are following the exact location for the right-hand (RH) or left-hand (LH) door swing. Refer to the illustration below for placement of the mounting brackets.

Once you have located the proper placement for the brackets, mark the pilot holes, remove the template and drill pilot holes for mounting the brackets. It is best to start with a few holes, position the bracket, drill the remaining pilot holes and then secure the mounting bracket with the #8 x 1/2" screws provided.

⚠ CAUTION

Exercise caution when drilling holes for mounting hardware. This is especially critical with inset panels.

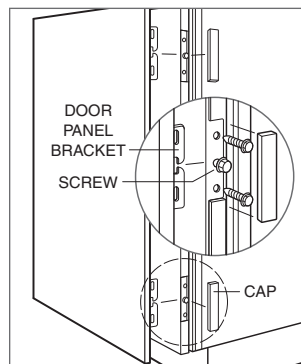


Overlay panel bracket location.

Before attaching the overlay panel to the door, insert two screws, one in the center of each mounting position, just far enough that the slotted holes on the hinge side door panel bracket will slide under the heads. These positioning screws will support the door panel during installation and adjustment. Refer to the illustration below.

Install the door panel by engaging the tabbed bracket to the handle side of the door first and then sliding the hinge side mounting bracket onto the positioning screws on the hinge side of the door. The panel can be adjusted 1/4" (6) up and down and side to side.

Once the door panel is in place and adjusted correctly, attach the four remaining #10 x 1/2" screws to the hinge side mounting bracket and install the magnetic decorative caps as shown in the illustration below.



Panel installation.

Overlay Panel Installation

BEVERAGE CENTER MODEL UC-24BG

Inspect the overlay door panel for minimum thickness, weight limit and finished inside edges. Decide if the handle will be attached through the glass door frame or just through the decorative door panel. If it is just through the door panel, the handle must be attached first.

The overlay door panel is attached using #8 x $\frac{5}{8}$ " square drive screws passing through the door frame from the rear, behind the gasket into the panel. The door panel is marked for screw locations by the use of tenon centers, which are temporarily inserted into the $\frac{1}{4}$ " (6) diameter holes in the front of the door frame. Refer to the illustration below.

With the unit secured in place and the door closed, the panel is held in the desired position on the door and rapped by hand from the front, putting center marks on the rear surface of the panel. If the door panel is made of such a material that pre-drilling is needed, all of the mounting holes should be marked. If not, only enough holes to hold the panel in place temporarily, are necessary.

Remove the door panel from the door frame and remove tenon centers. Open the door. Using the center marks to locate screws, drive the screws into the panel through the black tape on the door frame.

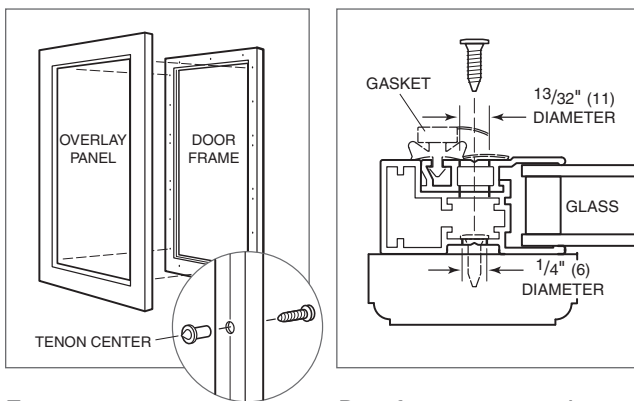
The screw holes inside the door are hidden under a cover flap on the door gasket. It is necessary to lift the flap to insert the screws. Use as many screws as necessary to hold the door panel in place securely.

IMPORTANT NOTE: After the first three or four mounting screws are in place, but not completely tightened, close the door and check the panel fit. This is the time to make small adjustments. Once you are satisfied with the appearance, open the door and add the rest of the screws. Check all screws for tightness.

The metal frame on the door has numerous mounting holes on each side of the door. This is to accommodate Sub-Zero accessory handles and provide for easy attachment of the handle through the door frame.

If you choose not to use the pre-drilled handle mounting holes, it will be necessary to fasten the handle from the rear of the door panel only, or drill one or more additional holes through the metal frame of the door.

The cross-section illustration shows how the hole passes through the door frame. The hole center is on the small locator groove in the front of the frame. A $\frac{1}{4}$ " (6) diameter hole is made in the front wall of the extrusion and a $\frac{13}{32}$ " (11) diameter hole through the rest of the frame.



Tenon centers.

Door frame cross section.

Overlay Panel Installation

⚠ CAUTION

The model UC-24BG glass door is made with a sealed, double-wall tempered glass core. The drill must not contact this core when drilling. Be sure the hole is centered on the small groove in the front of the door frame and the drill passes squarely through the frame. If you are inexperienced with drilling, fasten the handle from the rear of the door panel only.

IMPORTANT NOTE: For model UC-24BG, install screws in all the mounting holes in the door frame. The nature of the door panel with a narrow outer rim and no connecting center member requires the support provided by the glass door.

After the door panel installation is complete, apply the cover patches or plugs provided over the holes on the inside surface of the door.

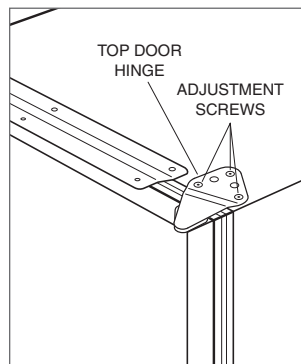
⚠ CAUTION

The cover patches or plugs are part of the insulation system on the door of the undercounter unit. Be sure to cover all the holes in the door that were used.

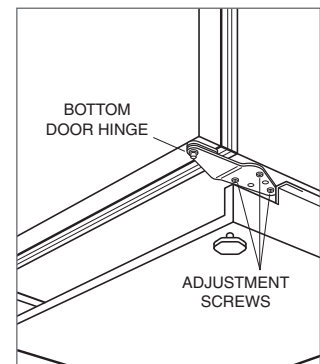
Hinge Adjustment

IMPORTANT NOTE: The undercounter unit should be properly leveled before door hinge adjustments are made.

The top and bottom cabinet hinges are held in place with three permanent adjustment screws. If the door needs adjustment, loosen the adjustment screws and reposition the door. Once in position, tighten the adjustment screws. Refer to the illustrations below.



Top hinge adjustment.



Bottom hinge adjustment.

Installation Checklist

To ensure a safe and proper installation, the following checklist should be completed by the installer to ensure that no part of the installation has been overlooked.

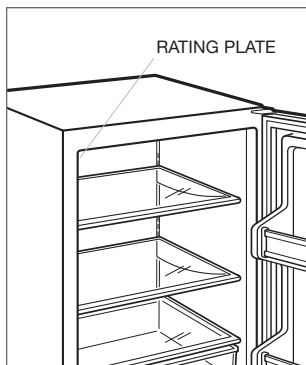
- Has all packing material been removed?
- Turn the unit on. Is it operating properly? If not, is the unit plugged in? Is the control turned on?
- Is the power cord plugged into a properly grounded 3-prong outlet, which has been installed in accordance with all applicable electrical codes?
- Has the unit been secured in place with the anti-tip bracket?
- Is the unit level? Are all leveling legs making contact with the floor?
- Is the kickplate installed properly?
- Is the water supply connected (model UC-24CI)? Have you checked for leaks?
- Is the door panel attached securely and properly aligned?
- Is the door aligned for proper appearance and operation?
- Have any installation or service problems been noted on the product registration card? Has the registration card been mailed in?
- Has the stainless steel door or panel been inspected for any imperfections? This is to be done by the dealer or installer with the customer upon completion of the installation. Stainless steel panels are covered by a limited 60-day parts and labor warranty for cosmetic defects.

Service Information

If service is necessary, maintain the quality built into your undercounter unit by calling Sub-Zero factory certified service.

For the name and number of Sub-Zero factory certified service nearest you, check the contact & support section of our website, subzero.com or call Sub-Zero customer care at 800-222-7820.

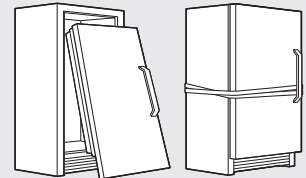
When calling for service, you will need the model and serial numbers of your unit. Both numbers are listed on the product rating plate located inside the cabinet, in the upper left area of the unit. Refer to the illustration below.



Location of rating plate.

⚠ WARNING

If you are storing or disposing of your old refrigerator or freezer, please do it safely. Remove the doors or tightly secure the doors closed. Child entrapment accidents can be tragic.





The information and images in this guide are the copyright property of Sub-Zero, Inc. Neither this guide nor any information or images contained herein may be copied or used in whole or in part without the express written permission of Sub-Zero, Inc. ©Sub-Zero, Inc. all rights reserved.

Wolf, Wolf & Design, Wolf Gourmet, W & Design and the color red as applied to knobs are registered trademarks and service marks of Wolf Appliance, Inc. Sub-Zero, Sub-Zero & Design, Dual Refrigeration, Constant Care and The Living Kitchen are registered trademarks and service marks of Sub-Zero, Inc. (collectively, the "Company Marks.") All other trademarks or registered trademarks are property of their respective owners in the United States and other countries.



SUB-ZERO, INC. P. O. BOX 44848 MADISON, WI 53744 SUBZERO.COM 800.222.7820

7023606 REV-A

8/2011

