

# INSTALLATION GUIDE

Integrated Refrigeration



## Contents

Integrated Refrigeration .....	3
Model Specifications .....	4
Site Preparation .....	7
Integrated Installation .....	12
Service Information .....	22

Features and specifications are subject to change at any time without notice. Visit [subzero.com/specs](http://subzero.com/specs) for the most up-to-date information.

**IMPORTANT NOTE:** Throughout this guide, dimensions in parentheses are millimeters unless otherwise specified.

## Important Note

To ensure the safe and efficient installation of Sub-Zero equipment, please take note of the following types of highlighted information throughout this guide:

**IMPORTANT NOTE** highlights information that is especially relevant to a problem-free installation.

**CAUTION** signals a situation where minor injury or product damage may occur if instructions are not followed.

**WARNING** states a hazard that may cause serious injury or death if precautions are not followed.



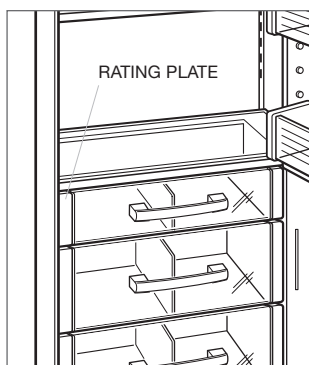
## Sub-Zero Integrated Refrigeration

The importance of the installation of the Sub-Zero integrated unit cannot be overemphasized. Installation should be done by a qualified installer.

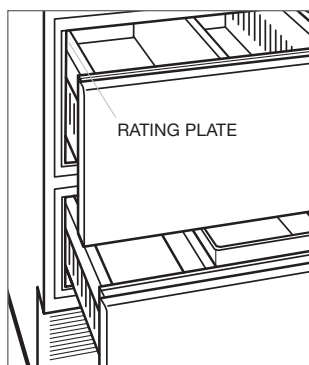
Before you begin the installation process, it is recommended that you read this entire installation guide. There are key details that you should take special care to observe during the installation. By reading these instructions carefully, you will make the installation process easier, problem-free and most importantly, safe.

Any questions or problems regarding the installation should be directed to your authorized Sub-Zero dealer or Sub-Zero customer care at 800-222-7820. You may also check the contact & support section of our website, [subzero.com](http://subzero.com).

Important product information, including the model and serial number of your unit are listed on the product rating plate. For column models, the rating plate is located inside the top drawer near the drawer guide opposite the hinge. For tall and drawer models, the rating plate is located inside the cabinet, to the left of the upper drawer. Refer to the illustrations below.



Column models.



Tall and drawer models.

## Before You Start

Make sure the opening dimensions, door and drawer clearances, electrical service and plumbing are correct for the model you are about to install. Refer to specifications on the following pages.

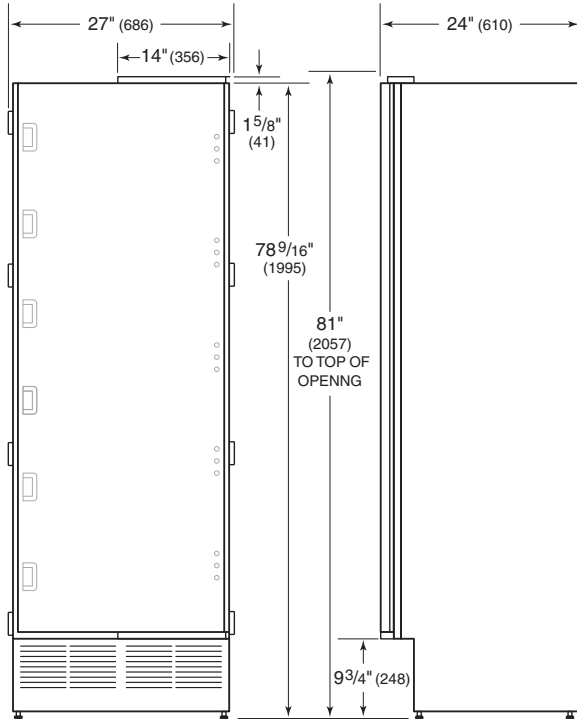
**IMPORTANT NOTE:** The inside edges of the rough opening, as well as the sides and a portion of the backside of the decorative panels will need to be finished, as they will be exposed when the doors are open.

## TOOLS AND MATERIALS REQUIRED

- Appliance dolly able to support 500 lbs (227 kg) and adequate manpower to handle the weight of the unit.
- Phillips and slotted screwdrivers.
- Allen, standard and crescent wrenches.
- Various sized pliers.
- $\frac{5}{16}$ " hex bolt nut driver.
- Cordless drill and assorted drill bits.
- Level—2' (.6 m) and 4' (1.2 m) recommended.
- 4' (1.2 m) of  $\frac{1}{4}$ " copper, braided stainless steel or PEX tubing and saddle valve for water line (do not use self-piercing valves).
- Tubing cutter.
- Masonite, plywood, pressed fiberboard, cardboard or other suitable material to protect finished flooring.
- Appropriate materials to cover and protect the home and furnishings during installation.

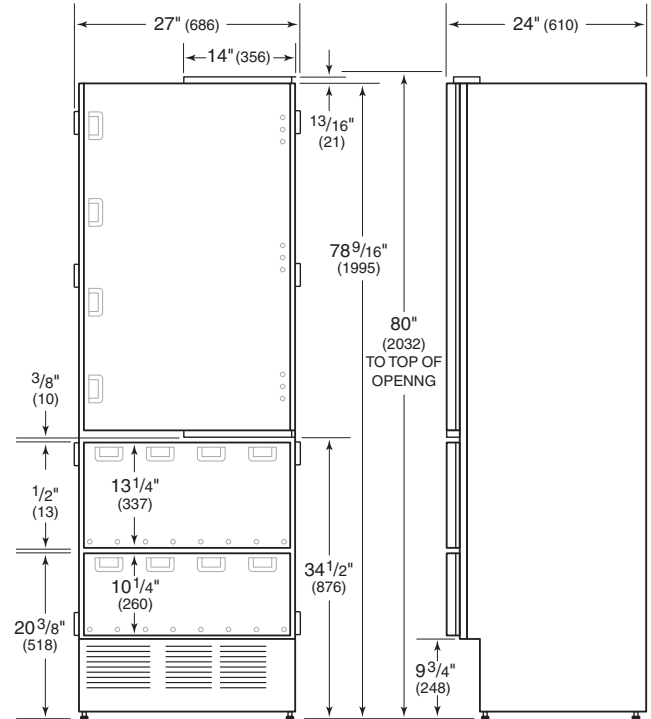
Overall Dimensions

COLUMN MODELS

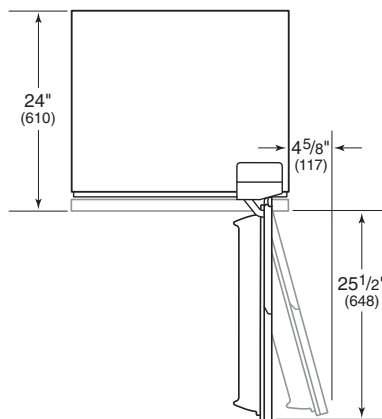


1/2" (13) ± ADJUSTMENT IN LEVELING LEGS

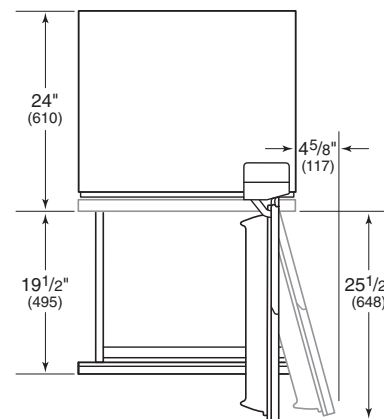
27" (686) TALL MODELS



HEIGHT DIMENSIONS ± 1/2" (13)



DIMENSIONS WILL VARY WITH PANEL THICKNESS



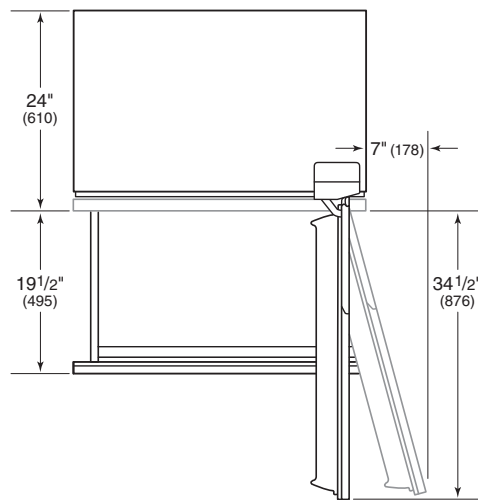
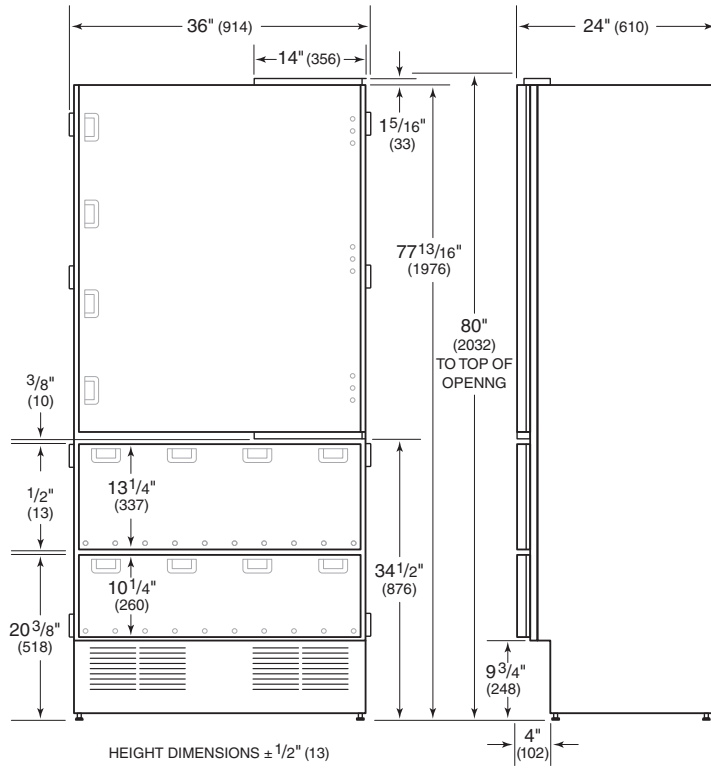
DIMENSIONS WILL VARY WITH PANEL THICKNESS

MODELS IC-27R AND IC-27FI

MODELS 700TR, 700TFI AND 700TCI

Overall Dimensions

36" (914) TALL MODELS

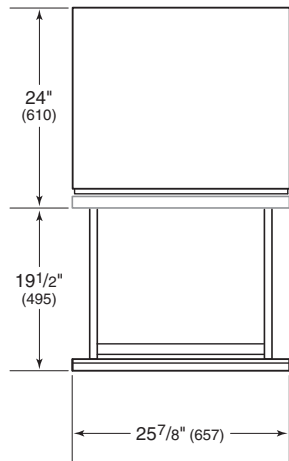
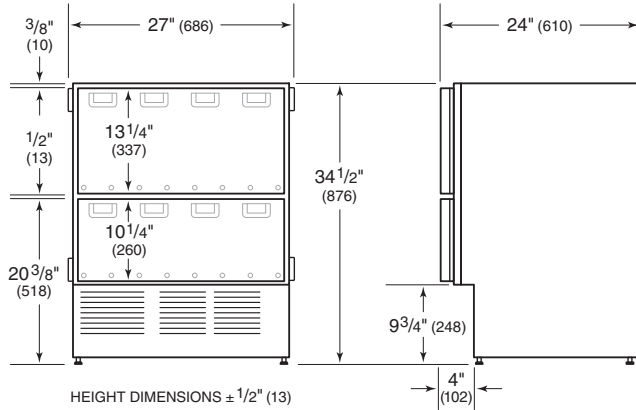


DIMENSIONS WILL VARY WITH PANEL THICKNESS

MODELS 736TR, 736TFI AND 736TCI

Overall Dimensions

DRAWER MODELS



DIMENSIONS WILL VARY WITH PANEL THICKNESS

MODELS 700BR, 700BF(I) AND 700BC(I)

Specifications

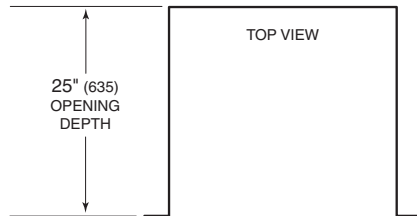
INTEGRATED MODELS

Interior Capacity	R cu ft (L)	F cu ft (L)
<b>COLUMN MODELS</b>		
IC-27R	16.2 (459)	
IC-27FI		16.3 (462)
<b>27" (686) TALL MODELS</b>		
700TR	15.5 (439)	
700TFI		15.3 (433)
700TCI	10.2 (289)	5.1 (144)
<b>36" (914) TALL MODELS</b>		
736TR	20.9 (592)	
736TFI		21.5 (609)
736TCI	13.3 (377)	7.1 (201)
<b>27" (686) DRAWER MODELS</b>		
700BR	5.3 (150)	
700BF(I)		5.1 (144)
700BC(I)	2.9 (82)	2.1 (59)

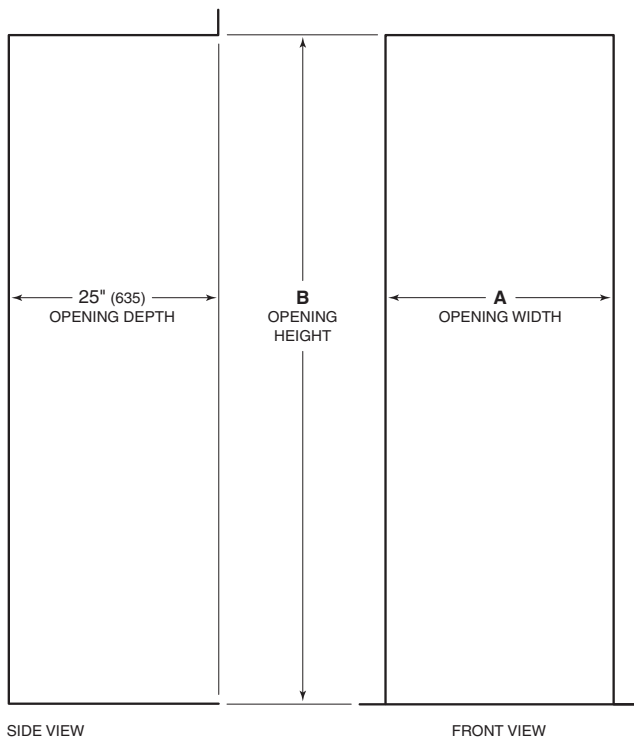
Shipping Weight	lbs (kg)
IC-27R, IC-27FI, 700TR, 700TFI and 700TCI	360 (163)
736TR, 736TFI and 736TCI	480 (218)
700BR, 700BF(I) and 700BC(I)	190 (86)

## Opening Dimensions

### INTEGRATED MODELS



**IMPORTANT NOTE:** The depth of each integrated model is 24" (610) from the front of the unit to its back. Your design may necessitate moving the unit back or cabinets forward to achieve a flush fit. This will require a minimum rough opening depth of 25" (635).



Opening Dimensions	A	B
IC-27R and IC-27FI	27" (686)	81" (2057)
700TR, 700TFI, 700TCI	27" (686)	80" (2032)
736TR, 736TFI, 736TCI	36" (914)	80" (2032)
700BR, 700BF(I), 700BC(I)	27" (686)	34 <sup>1</sup> / <sub>2</sub> " (876)

### Electrical Requirements

The electrical supply should be located within the shaded area shown in the illustrations below. Follow the National Electrical Code and local codes and ordinances when installing the receptacle. A separate circuit, servicing only this appliance is required. A ground fault circuit interrupter (GFCI) is not recommended and may cause interruption of operation.

**IMPORTANT NOTE:** It is critical that the electrical outlet be located within the shaded area shown so it does not interfere with installation of the anti-tip bracket. It must be flush with the back wall and positioned with the grounding prong to the right of the thinner blades.

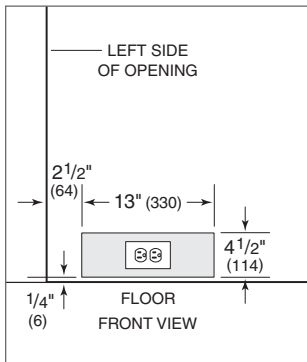
**⚠ CAUTION**

The outlet must be checked by a qualified electrician to be sure that it is wired with the correct polarity. Verify that the outlet is properly grounded.

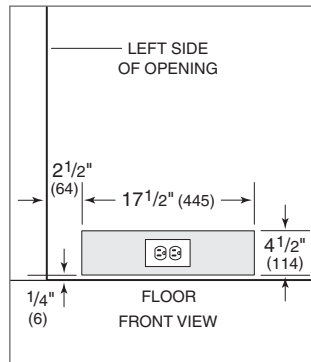
**⚠ WARNING**

Do not use an extension cord or two-prong adapter. Do not remove the power supply cord ground prong.

Electrical Requirements	
Power Supply	115 V AC, 60 Hz
Circuit Breaker	15 amp
Receptacle	3-prong grounding-type



27" (686) models.



36" (914) models.



### Plumbing Requirements

For integrated models with an automatic ice maker, the water supply line should be located through the floor or back wall, within the shaded area shown in the illustrations. Routing the line in these locations will avoid any interference with the anti-tip bracket.

**IMPORTANT NOTE:** Do not route the water supply line in front of the compressor tray. The tray must be slid forward for service.

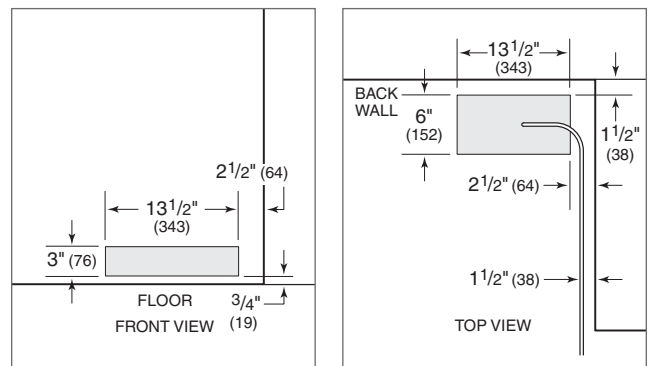
The water supply line should be connected to the house supply with an easily accessible shut-off valve between the supply and the unit. Do not use self-piercing valves. A saddle valve kit is available from your authorized Sub-Zero dealer.

An in-line filter is required when water conditions have a high sediment content.

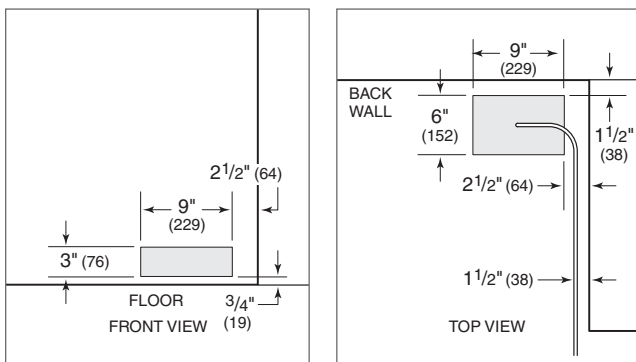
A reverse osmosis system can be used provided there is constant water pressure of 20 psi (1.4 bar) to 100 psi (6.9 bar) supplied to the unit at all times. In some cases, a reverse osmosis water filter system may not be able to maintain the minimum pressure consistently. A copper line is not recommended for this application.

**IMPORTANT NOTE:** All installations must meet local plumbing code requirements.

Plumbing Requirements	
Water Supply Line	1/4" OD copper, braided stainless steel or PEX tubing
Water Pressure	20–100 psi (1.4–6.9 bar)
Excess Water Line for Connection	27" (686)



36" (914) models.



27" (686) models.

### Anti-Tip Bracket Installation

**⚠ WARNING**  
 To prevent the unit from tipping forward and provide a stable installation, the unit must be secured in place with the anti-tip bracket provided with the unit.

An anti-tip bracket and hardware is provided with the integrated unit. Placement of the anti-tip bracket is critical to a stable installation. The anti-tip bracket must be installed on a solid base.

If you are installing the unit in a space deeper than 24" (610), be sure to locate the anti-tip bracket so that it engages the unit properly. It is important that the anti-tip bracket is placed 24" (610) from the front of the unit (without panels) to the back of the anti-tip bracket.

**IMPORTANT NOTE:** In some installations the subflooring or finished floor may require angling the wood screws used to fasten the anti-tip bracket to the back wall.

**⚠ WARNING**  
 Make sure there are no electrical wires or plumbing in the area which the screws could penetrate.

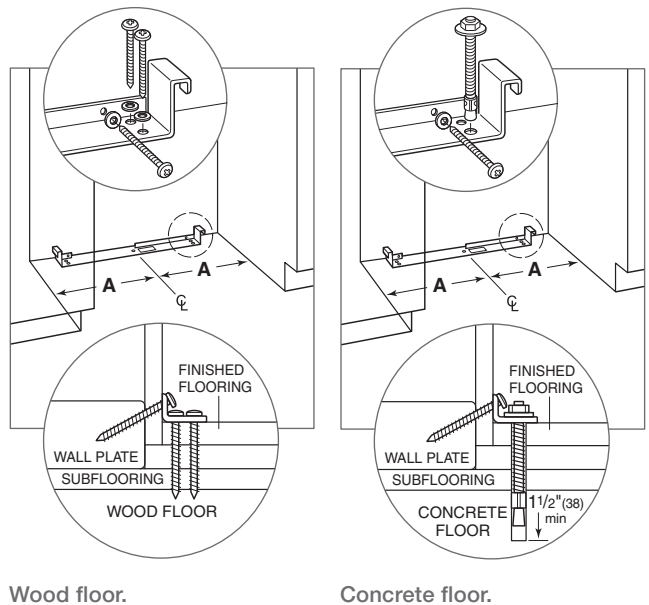
### WOOD FLOOR APPLICATIONS

Use the six #12 x 2 1/2" wood screws and the six 1/4" flat washers provided. Drill pilot holes 3/16" (5) diameter maximum, and make sure the screws penetrate through the flooring material and into the wall plate a minimum of 3/4" (19). Make sure the screws hold tight. Refer to the illustration below.

### CONCRETE FLOOR APPLICATIONS

Use the two 3/8" x 3 3/4" concrete wedge anchors, two #12 x 2 1/2" wood screws and two 1/4" flat washers provided. Make sure the anchors and screws hold tight. Refer to the illustration below.

Anti-Tip Bracket Placement		A
27" (686) Models		13 1/2" (343)
36" (914) Models		18" (457)



Wood floor.

Concrete floor.

## Anti-Tip Bracket Installation

### INSTALL CONCRETE WEDGE ANCHORS:

- 1) Drill a  $\frac{3}{8}$ " (10) diameter hole any depth exceeding the minimum embedment. Clean the hole or continue drilling additional depth to accommodate drill fines. Use a carbide drill bit manufactured within ANSI B94.12-77.
- 2) Assemble the washer and nut flush with the end of anchor to protect threads. Drive the anchor through the material to be fastened until the washer is flush with the surface material.
- 3) Expand the anchor by tightening the nut 3–5 turns past hand-tight position or to 25 foot-pounds of torque.

#### ⚠ CAUTION

Always wear safety glasses and use other necessary protective devices or apparel when installing or working with anchors.

Anchors are not recommended for use in lightweight masonry material such as block or brick, or for use in new concrete which has not had sufficient time to cure. The use of core drills is not recommended to drill holes for the anchors.

## Position the Unit

#### ⚠ CAUTION

Before moving the integrated unit into position, secure the door closed, remove drawers and protect any finished flooring.

Uncrate the integrated unit and inspect for any damage. Remove the wood base and discard the shipping bolts that hold the wood base to the bottom of the unit. Remove all packing materials and tape.

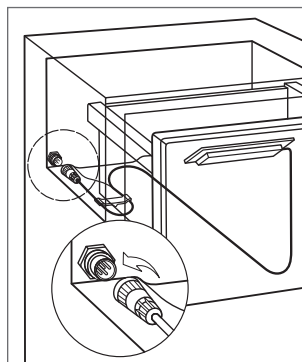
The drawers should be removed and placed aside until you are ready for installation of the panels. Remove the decorative top and side moldings and the kickplate/grille.

**IMPORTANT NOTE:** For drawer models, the top drawer has a control cable that needs to be disconnected before removing this drawer. Refer to the illustration below for placement and how to disconnect this fitting.

Retract the front leveling legs all the way up to allow the unit to be moved into position more easily. You will extend the leveling legs when the unit is in its final position to reduce the possibility of the unit tipping forward.

Use an appliance dolly to move the integrated unit near the rough opening. Position the dolly at the side of the unit to prevent damage to finished surfaces.

**IMPORTANT NOTE:** If for any reason the integrated unit has been laid on its back or side, you must allow the unit to stand upright for a minimum of 24 hours before connecting power.



Control cable.

### Position the Unit

Plug the power cord into the grounded electrical outlet. With power applied to the appliance, check for lighting and cooling. Press the UNIT ON/OFF key pad on the control panel (POWER for column models). Refer to the illustrations below. Once you are satisfied that the unit is operating properly, shut off power to the electrical outlet at the circuit breaker and proceed.

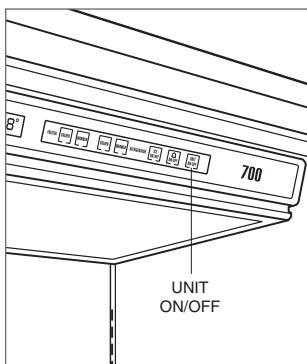
If two integrated units are installed closer than 2" (51) to one another, refer to dual installations on page 20.

Pre-level the unit before moving into position. This is to allow the unit to engage the anti-tip bracket properly.

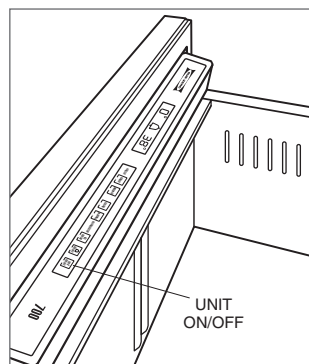
Slide the unit into position, making sure the anti-tip bracket is engaged properly. Extend the front leveling legs down approximately  $\frac{3}{16}$ " (5) to make additional adjustments easier.

When the integrated unit is installed, the anti-tip bracket will be positioned just below the engaging bracket on the unit. It is not necessary to raise the unit up so that it locks into the anti-tip bracket, but the unit must be in alignment with the anti-tip bracket.

The floor under the integrated unit must be at the same level as the surrounding finished floor to allow the compressor tray to be slid forward for service.



On/off key pad—tall model.



On/off key pad—drawer model.

### Level the Unit

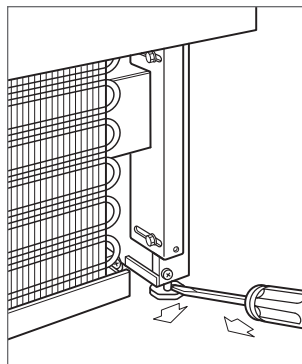
Level the integrated unit by turning the front leveling legs clockwise to raise or counterclockwise to lower the unit. To assist you in adjusting the front leveling legs up or down, use a standard screwdriver blade and place it in the front leveling leg as shown in the illustration below.

The rear leveling legs are adjusted from the front of the base by turning the Phillips head screw as shown in the illustration below.

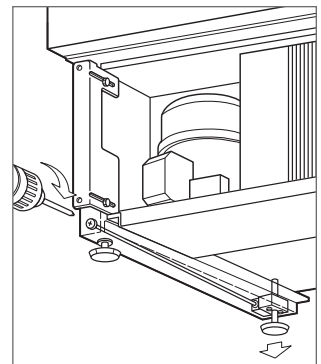
**IMPORTANT NOTE:** The rear leveling legs will only move  $\frac{1}{16}$ " (2) for every 18 revolutions on the Phillips head screw. Do not over torque. Use the lowest torque setting on any power screwdriver. Do not turn the rear leveling legs by hand.

Once the unit is leveled, secure the unit in place by using the side mounting clips and #8 x  $\frac{1}{2}$ " screws provided.

**▲ WARNING**  
 To reduce the possibility of the unit tipping forward, the front leveling legs must be in contact with the floor.



Front leveling legs.

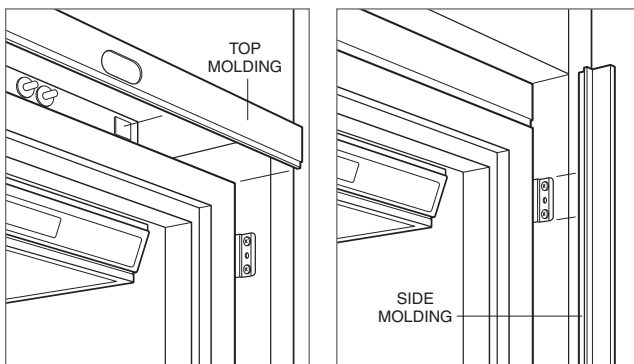


Rear leveling legs.

## Molding Installation

Install the decorative white molding strips to the top and sides of the integrated unit for a finished look. The top molding strip, used on column and tall models, must be installed before the side molding can be attached. The top molding strip is held in place by double-sided velcro. The side molding strips snap into place over brackets attached to the side of the unit. Refer to the illustrations below for positioning. For installations where units are side by side, refer to dual installations on page 20.

If you choose, the molding strips may be painted to match surrounding cabinetry. Follow these steps: Rough up the surface to be painted with fine grit sandpaper. Wipe with alcohol to ensure that the surface is clean and dry. Use an appliance or industrial grade, oil base, high gloss enamel paint.



Top molding.

Side molding.

## Water Line Connection

### QUICK CONNECT WATER VALVE

For units with an ice maker, the quick connect water valve and PEX tubing are located on the bottom right side of the unit.

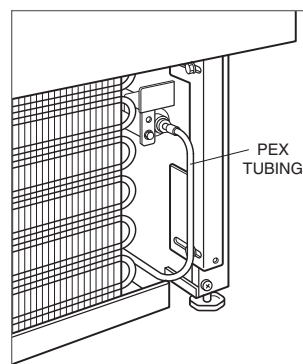
To connect the ice maker water line, attach the union fitting to the house water supply line. Pull the coiled gray PEX tubing with red cap and captured nut toward the house water supply line. Remove and discard the red cap. Then attach the tubing to the union with the nut. Tighten all connections. Recoil the excess tubing under the unit. Refer to the illustration below.

Turn on the water supply and check all fittings for leaks. Make sure the electrical harness is attached to the solenoid.

An in-line filter is required when water conditions have a high sediment content.

The ice maker will not fill with water immediately. Allow 24 hours for proper ice production. The first container of ice should be discarded. As with any new connection, there may be impurities in the ice from the water supply line.

**IMPORTANT NOTE:** Water lines must not be exposed to freezing temperatures. Exposure could cause damage to the unit and home.



Water line connection.

### Kickplate/Grille Installation

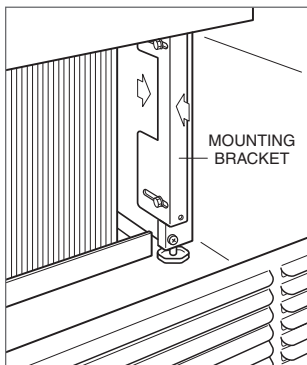
Once the integrated unit is secured, the kickplate/grille can be installed. The mounting bracket may be adjusted slightly forward or back so the kickplate/grille will fit flush with the surrounding area. Refer to the illustration below.

The kickplate/grille must be removable for service. The floor cannot interfere with removal.

Turn power back on to the electrical outlet.

**IMPORTANT NOTE:** The unit must be allowed to have ventilation through the fins of the kickplate/grille. You may cover the solid area, but do not block the fins. The lower drawer panel or the door panel of a column unit may hang in front of the fins, but the baseboard molding must not cover them.

If you choose, the kickplate/grille may be painted another color. Follow these steps: Rough up the surface to be painted with fine grit sandpaper. Wipe with alcohol to ensure that the surface is clean and dry. Use an appliance or industrial grade, oil base, high gloss enamel paint.



Kickplate/grille installation.

### Panel Considerations

The integrated design utilizes custom wood or other decorative panels and handles provided by the customer. Stainless steel panels are available as accessories through your authorized Sub-Zero dealer. For local dealer information, visit the find a showroom section of our website, subzero.com.

Check panel dimensions before proceeding. Additional panel information can be found in the Sub-Zero design guide and on our website, subzero.com.

**IMPORTANT NOTE:** A portion of the backside of the decorative panels will need to be finished, as they will be exposed when the doors are open.

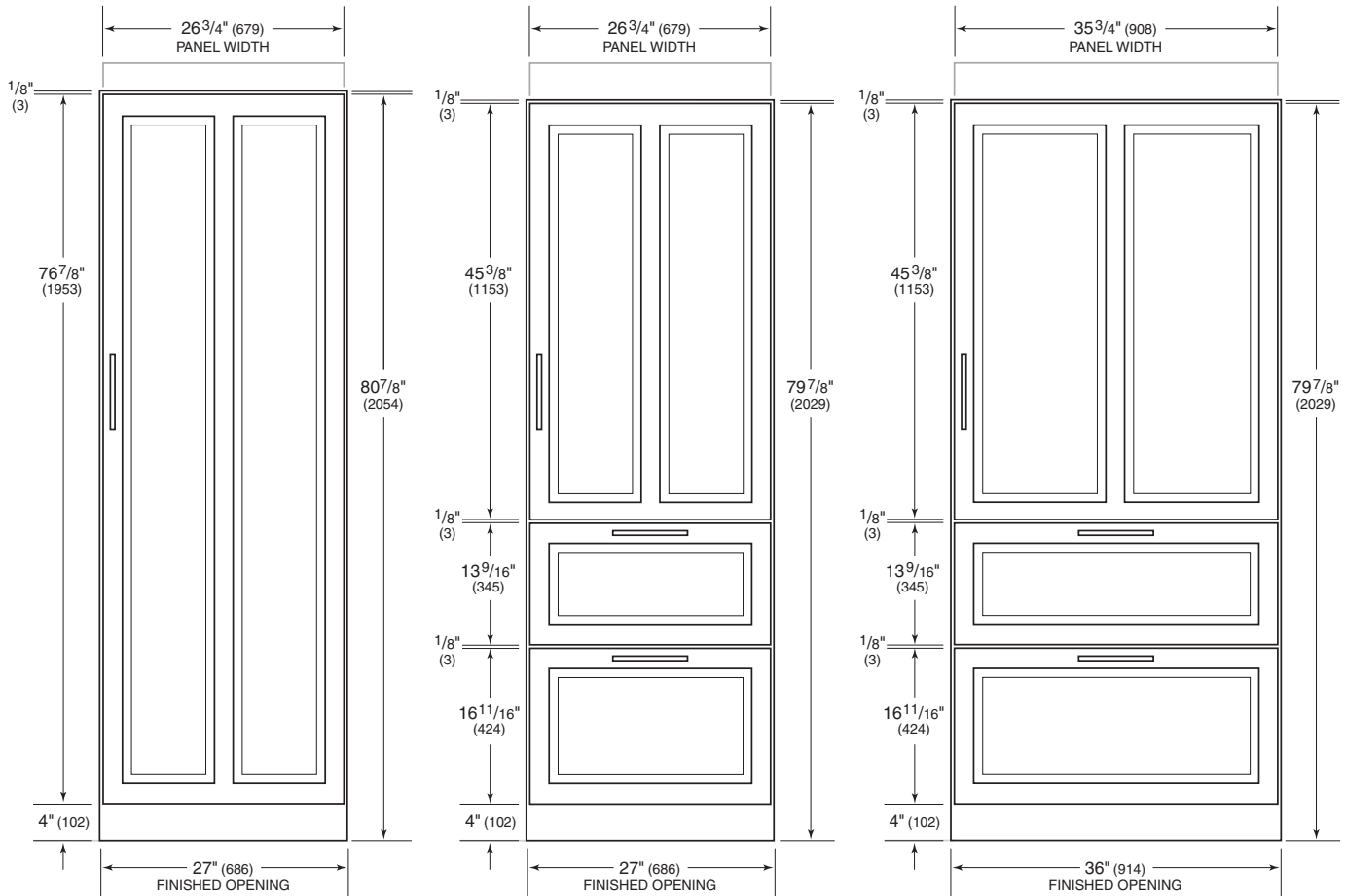
D-style handles are recommended. Handles should be located on the opposite side from the hinge, centered on the cabinet door, and on the top center area of the drawer panel. Screw heads may have to be countersunk to ensure that hardware does not interfere with the panel fitting flush.

It is recommended that the door panel of a tall model be installed first, then the upper and lower drawer panels.

Panel Requirements	
<b>COLUMN MODELS</b>	<b>MAX WEIGHT</b>
Door Panel	65 lbs (29 kg)
<b>TALL AND DRAWER MODELS</b>	<b>MAX WEIGHT</b>
27" (686) Door Panel	40 lbs (18 kg)
27" (686) Drawer Panel	12 lbs (5 kg)
36" (914) Door Panel	53 lbs (24 kg)
36" (914) Drawer Panel	16 lbs (7 kg)
<b>PANEL THICKNESS</b>	<b>MINIMUM</b>
All Panels	$\frac{5}{8}$ " (16)

## Panel Considerations

### TYPICAL PANEL DIMENSIONS



Typical Panel Dimensions			
<b>COLUMN MODELS</b>			
	<b>W</b>	<b>H</b>	
Door	$26\frac{3}{4}''$ (679)	$76\frac{7}{8}''$ (1953)	
<b>27" (686) MODELS</b>			
	<b>W</b>	<b>H</b>	
Door	$26\frac{3}{4}''$ (679)	$45\frac{3}{8}''$ (1153)	
Top Drawer	$26\frac{3}{4}''$ (679)	$13\frac{9}{16}''$ (345)	
Bottom Drawer	$26\frac{3}{4}''$ (679)	$16\frac{11}{16}''$ (424)	
<b>36" (914) MODELS</b>			
	<b>W</b>	<b>H</b>	
Door	$35\frac{3}{4}''$ (908)	$45\frac{3}{8}''$ (1153)	
Top Drawer	$35\frac{3}{4}''$ (908)	$13\frac{9}{16}''$ (345)	
Bottom Drawer	$35\frac{3}{4}''$ (908)	$16\frac{11}{16}''$ (424)	

Panel dimensions are based on a  $\frac{1}{8}''$  (3) reveal. A reveal of up to  $\frac{1}{4}''$  (6) is possible with adjustments to panel dimensions.

## Panel Considerations

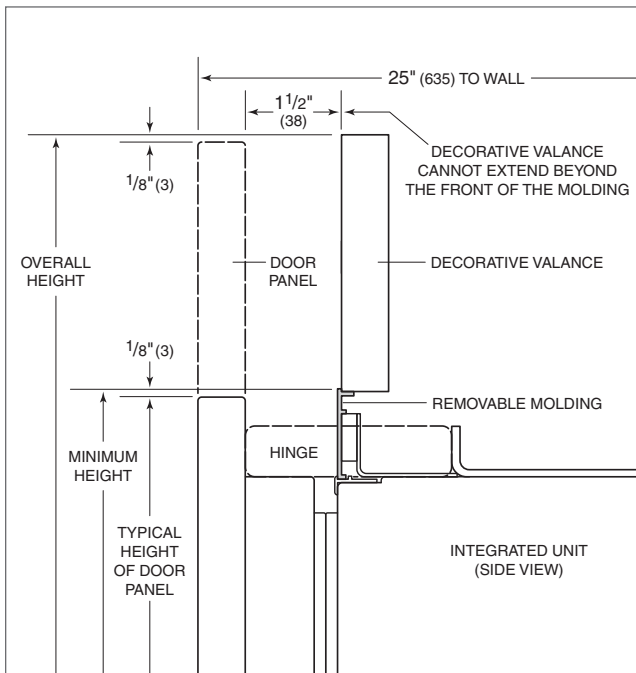
### DOOR PANEL HEIGHT

The height of the door panel can extend beyond the typical panel height, provided you do not exceed the panel weight limit.

A minimum finished height of 80" (2032) is required for 27" (686) (686) and 36" (914) tall models. For the 27" (686) integrated column, a minimum finished height of 81" (2057) is required. Therefore, when installing a tall model next to a column, the minimum finished height is 81" (2057). For installations taller than 80" (2032) or 81" (2057), a decorative valance will be needed to finish off the height to the finished surrounding cabinetry.

The illustration below shows how the panel may be extended and what you need to consider to finish the area behind the door panel.

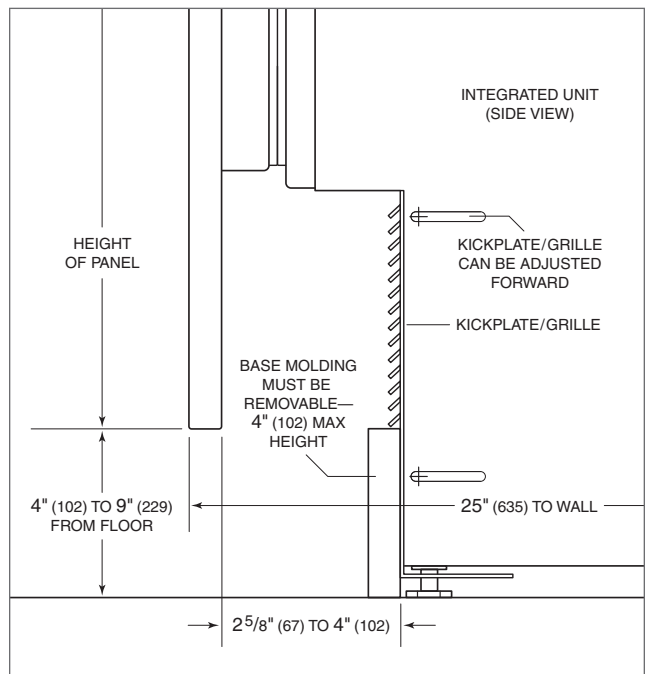
**IMPORTANT NOTE:** The decorative valance used to finish the area behind the door panel must stay behind the front plane of the finished molding.



Upper valance.

### TOE KICK CLEARANCE

The toe kick clearance can vary with the height of the panel. You must keep a minimum space of 4" (102) clear below the bottom edge of the panel for proper venting. In addition, any decorative base molding must be removable and cannot exceed 4" (102) in height.



Kickplate/grille area.



## Panel Installation

### DOOR PANEL INSTALLATION

Remove the two pieces of mounting hardware attached to the front of the door and set aside. Place the door panel lying face down on a protected surface to ensure that the front is not scratched or damaged.

Position the plastic template as indicated on the template. One side is for a right-hinge unit and the other side is for a left-hinge unit. Verify that you are using the correct side. Once you have located the proper position of the template, mark the pilot holes indicated on the template. Remove the template and drill the pilot holes. Next, place the bottom holes of the bracket over the pre-drilled holes and secure with the #8 x 1/2" screws provided. After the bracket has been secured to the pilot holes, drill the remaining bracket holes and secure the bracket to the panel with screws provided.

**IMPORTANT NOTE:** Dimensions are based on a 1/8" (3) reveal. A reveal of up to 1/4" (6) is possible. Panel dimensions must be adjusted accordingly.

#### ⚠ CAUTION

Exercise caution when drilling holes for mounting hardware. This is especially critical with inset panels.

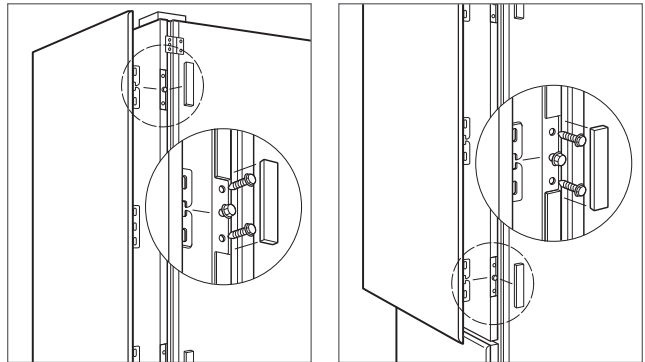
Before attaching the door panel to the door, place a screw in the center of the upper and lower mounting positions, just enough that the slotted holes on the hinge side door panel bracket will slide under the heads. These positioning screws will support the door panel during installation and adjustment. Refer to the illustrations below.

Install the door panel by engaging the tabbed bracket to the handle side of the door first and then sliding the hinge side mounting bracket onto the positioning screws on the hinge side of the door. The panel can be adjusted 1/4" (6) up and down and side to side.

Once the door panel is in place and adjusted correctly, attach the remaining #10 x 1/2" screws to the hinge side mounting bracket and install the magnetic caps as shown in the illustration below.

#### ⚠ CAUTION

As the reveal between cabinets and the unit decreases, the potential exists for severe finger pinching if fingers are placed in the opening when the door is closing.



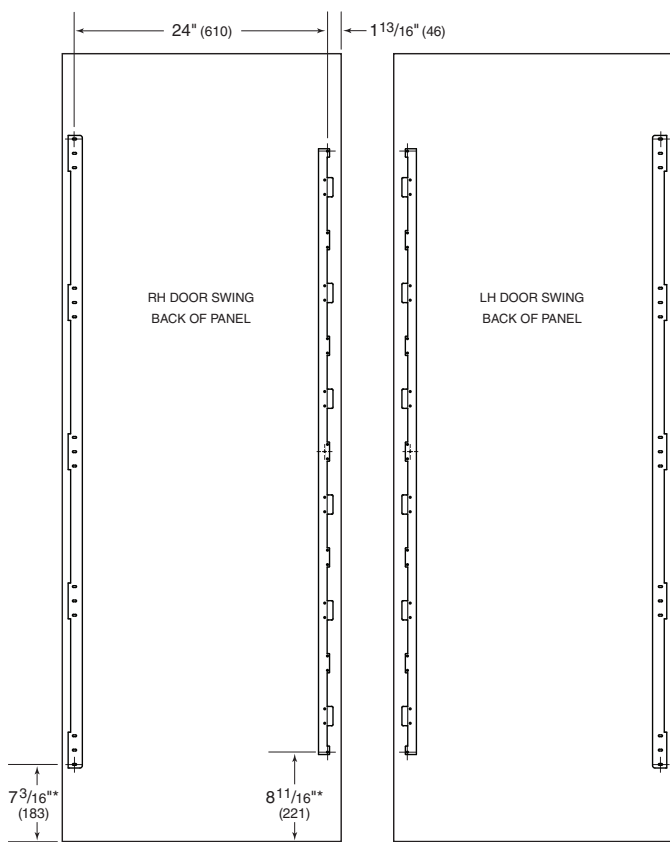
Mounting position—column.

Mounting position—tall model.

## Panel Installation

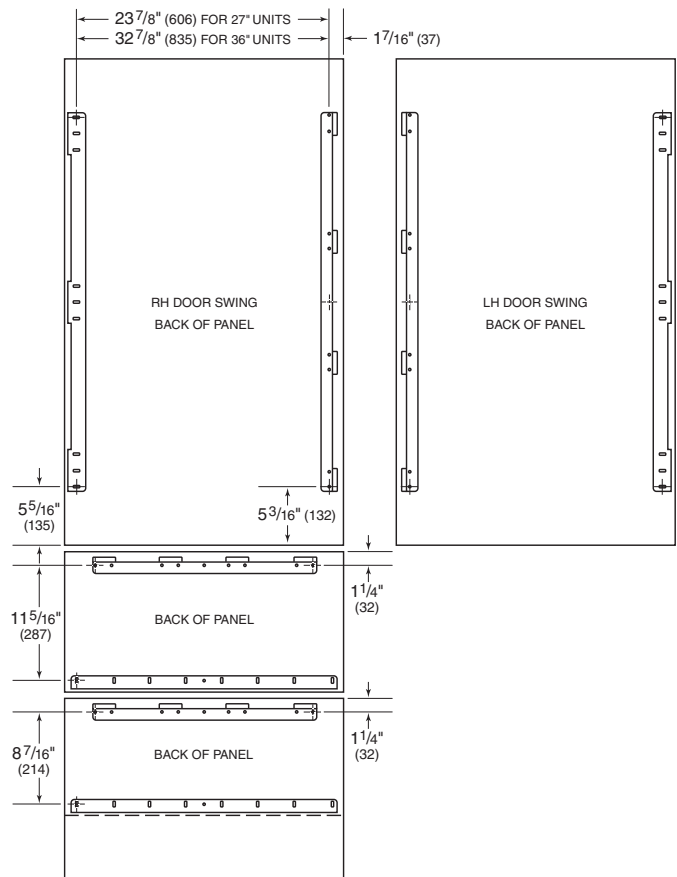
### PANEL BRACKET POSITIONING

The illustrations below show placement of panel mounting brackets. Dimensions are based on a 4" (102) toe kick and a 1/8" (3) reveal. A reveal of up to 1/4" (6) is possible, but panel dimensions need to be adjusted accordingly.



\*Dimensions are based on a 4" (102) toe kick.

### COLUMN MODELS



### TALL AND DRAWER MODELS

## Panel Installation

### DRAWER PANEL INSTALLATION

Remove the mounting hardware provided and set aside. As with the door panel, you should work on the back side of each drawer panel to protect the front surface.

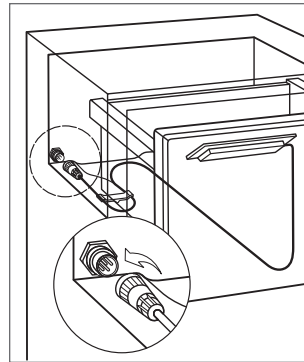
Position the top edge of the template flush with the top edge of each drawer. For the top drawer, there is only one location for the lower mounting bracket. The bottom drawer allows a second option by inverting the lower mounting bracket, depending on the height and thickness of the panel. Refer to the illustration below.

Secure the template in place and mark the pilot holes. Remove the template and drill pilot holes for mounting the bracket. Place the mounting brackets in the proper location with the tabbed bracket on top and L-bracket on the bottom of the panel. Fasten brackets securely with the #8 x 1/2" screws provided. Refer to the illustration below.

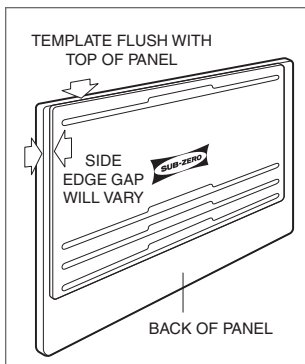
To help with the placement of the drawer panels, examine the lower L-bracket and panel to determine the slotted holes on the bracket that will be used. Then position screws into the lower portion of the drawer that correspond with these slots. Leave the screws out slightly so the slotted holes will slide under the heads.

With the two mounting brackets in place, install the drawer panel by engaging the top tabbed bracket first, then slide the lower L-bracket onto the positioning screws. Each drawer panel can be adjusted 1/4" (6) up and down and side to side. Fasten all screws to the lower L-bracket to secure the drawer panel.

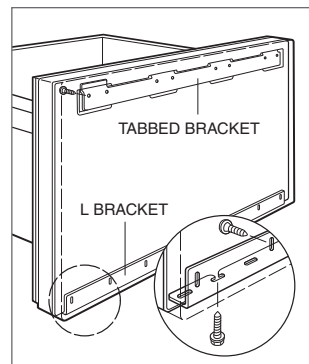
The drawers can be placed back in the unit. Reconnect the control cable for the top drawer (drawer models only). Refer to the illustration below.



Control cable.



Template position.



Drawer panel installation.

### Dual Installations

Two integrated units may be placed side by side in a dual installation. Panel width dimensions will vary slightly from single installations. A dual installation kit is required for installations with 2" (51) or less space between units. Dual installation kits are available through your authorized Sub-Zero dealer.

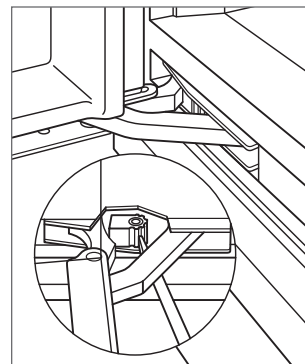
**IMPORTANT NOTE:** If a 27" (686) unit is installed next to a 36" (914) tall model, the decorative front panels will align, however, the face frames will not. This is only apparent when both doors are open at the same time. Due to a more robust hinge on 36" (914) units, the face frame was reconfigured to maintain a consistent overall panel height.

Typical Panel Dimensions			
<b>COLUMN MODELS</b>			
	<b>W</b>	<b>H</b>	
Door	26 <sup>13</sup> / <sub>16</sub> " (681)	76 <sup>7</sup> / <sub>8</sub> " (1953)	
<b>27" (686) MODELS</b>			
	<b>W</b>	<b>H</b>	
Door	26 <sup>13</sup> / <sub>16</sub> " (681)	45 <sup>3</sup> / <sub>8</sub> " (1153)	
Top Drawer	26 <sup>13</sup> / <sub>16</sub> " (681)	13 <sup>9</sup> / <sub>16</sub> " (345)	
Bottom Drawer	26 <sup>13</sup> / <sub>16</sub> " (681)	16 <sup>11</sup> / <sub>16</sub> " (424)	
<b>36" (914) MODELS</b>			
	<b>W</b>	<b>H</b>	
Door	35 <sup>13</sup> / <sub>16</sub> " (910)	45 <sup>3</sup> / <sub>8</sub> " (1153)	
Top Drawer	35 <sup>13</sup> / <sub>16</sub> " (910)	13 <sup>9</sup> / <sub>16</sub> " (345)	
Bottom Drawer	35 <sup>13</sup> / <sub>16</sub> " (910)	16 <sup>11</sup> / <sub>16</sub> " (424)	

### 90° Door Stop

The door of integrated columns and tall models opens to 105°. A 90° door stop is built into the hinge system for installations where the door opening must be limited.

To engage the door stop, use the blade edge of a standard screwdriver and rotate the cam in the center portion of the hinge. You must make this adjustment to both the bottom and top hinge. Refer to the illustration below.



90° door stop.

## Installation Checklist

To ensure a safe and proper installation, the following checklist should be completed by the installer to ensure that no part of the installation has been overlooked.

### INSTALLATION CHECKLIST

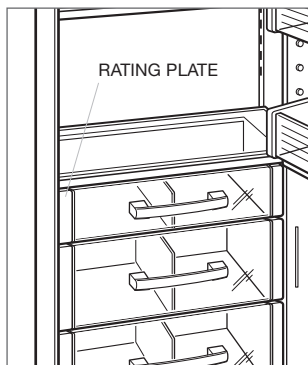
- Have all packing materials been removed?
- Turn the unit on. Is it operating properly?
- Is the power cord plugged into a properly grounded outlet, which has been installed in accordance with all applicable electrical codes?
- For units with an automatic ice maker, is the water supply line connected and not leaking? Is the water supply turned on and ice maker control on?
- Has the anti-tip bracket been installed securely and properly engaging the unit?
- Is the unit leveled properly with all leveling legs making contact with the floor? Has the kickplate/grille been installed?
- Are panels attached securely and properly aligned?
- Has the door been aligned for proper appearance and operation?
- Does the customer understand the unit's operation? Does the customer have the warranty package?
- Have any installation or service problems been noted on the product registration card? Has the registration card been mailed in?
- Have stainless steel panels been inspected for any imperfections? This is to be done by the authorized Sub-Zero dealer or installer with the customer, upon completion of installation. Stainless steel panels are covered by a limited 60-day warranty for cosmetic defects.

## Service Information

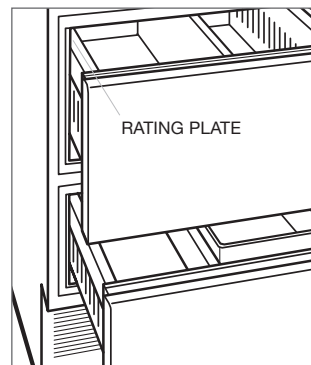
If service is necessary, maintain the quality built into your integrated unit by calling Sub-Zero factory certified service.

For the name and number of Sub-Zero factory certified service nearest you, check the contact & support section of our website, [subzero.com](http://subzero.com) or call Sub-Zero customer care at 800-222-7820.

When calling for service, you will need the model and serial numbers of your unit. Both numbers are listed on the product rating plate. For column models, the rating plate is located inside the top drawer near the drawer guide opposite the hinge. For tall and drawer models, the rating plate is located inside the cabinet, to the left of the upper drawer. Refer to the illustrations below.



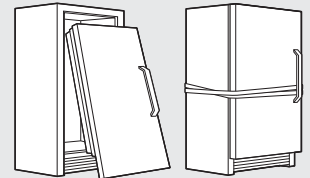
Column models.



Tall and drawer models.

### ⚠ WARNING

If you are storing or disposing of your old refrigerator or freezer, please do it safely. Remove the doors or tightly secure the doors closed. Child entrapment accidents can be tragic.





The information and images in this guide are the copyright property of Sub-Zero, Inc. Neither this guide nor any information or images contained herein may be copied or used in whole or in part without the express written permission of Sub-Zero, Inc. ©Sub-Zero, Inc. all rights reserved.

Wolf, Wolf & Design, Wolf Gourmet, W & Design and the color red as applied to knobs are registered trademarks and service marks of Wolf Appliance, Inc. Sub-Zero, Sub-Zero & Design, Dual Refrigeration, Constant Care and The Living Kitchen are registered trademarks and service marks of Sub-Zero, Inc. (collectively, the "Company Marks.") All other trademarks or registered trademarks are property of their respective owners in the United States and other countries.



SUB-ZERO, INC. P. O. BOX 44848 MADISON, WI 53744 SUBZERO.COM 800.222.7820

7023602 REV-A

8/2011

