

**FEATURES**

- Four design options: framed, overlay, flush inset and stainless steel.
- Dual refrigeration system ensures the freshest food and energy efficiency.
- Electronic microprocessor constantly monitors entire unit to ensure proper food storage environment.
- Air purification system reduces odors, bacteria, viruses and ethylene gas.
- Advanced water filtration system.
- Illuminated touch control panel.
- Bright interior lighting throughout, including storage drawer area.
- Adjustable door shelves, spill-proof glass refrigerator shelves, dairy compartment and wire freezer shelves.
- Crisper and deli drawers form a lower-temperature zone ideal for produce and meats.
- Soft-close glide system on refrigerator storage drawers.
- Easy-access flip-up grille.
- Informational freshness cards.
- Automatic ice maker provides crescent-shaped ice—max ice feature increases production for a 24-hour period.



**MODEL OPTIONS**

<b>OVERLAY</b>	
Framed, overlay, flush inset	BI-48S/O
<b>STAINLESS STEEL</b>	
Tubular handles	BI-48S/S/TH
Pro handles	BI-48S/S/PH

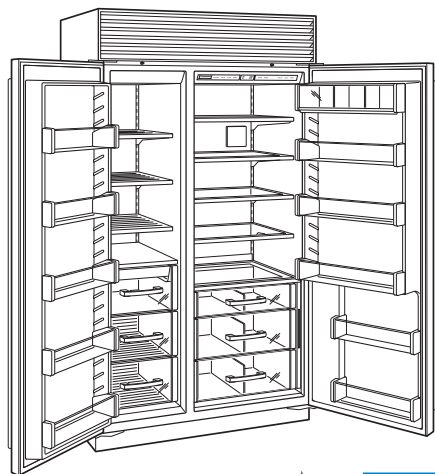
**INTERIOR FEATURES**

<b>REFRIGERATOR</b>	
4 Adjustable glass shelves	
1 Stationary glass shelf	
1 High-humidity drawer with divider	
2 Storage drawers with divider	
3 Adjustable door shelves	
2 Stationary door shelves	
Adjustable dairy compartment	
<b>FREEZER</b>	
3 Adjustable wire shelves	
1 Stationary solid shelf	
3 Storage drawers	
5 Adjustable door shelves	
Automatic ice maker	

**ACCESSORIES**

- Grilles for 83" or 88" finished height (84" is standard).
- Framed front panels in white or stainless steel.
- Flush inset panels in stainless steel with tubular or pro handles.
- Custom front panel mounting kit.
- Side panel in white or stainless steel.
- Stainless steel tubular and pro handles.
- Full-length standard and extended framed handles.
- Stainless steel kickplate.
- Retrofit kit for 600 series panels.
- Dozen egg container.
- Replacement air purification cartridge and water filter.

Accessories available through an authorized Sub-Zero dealer. For local dealer information, visit the find a showroom section of our website, subzero.com.



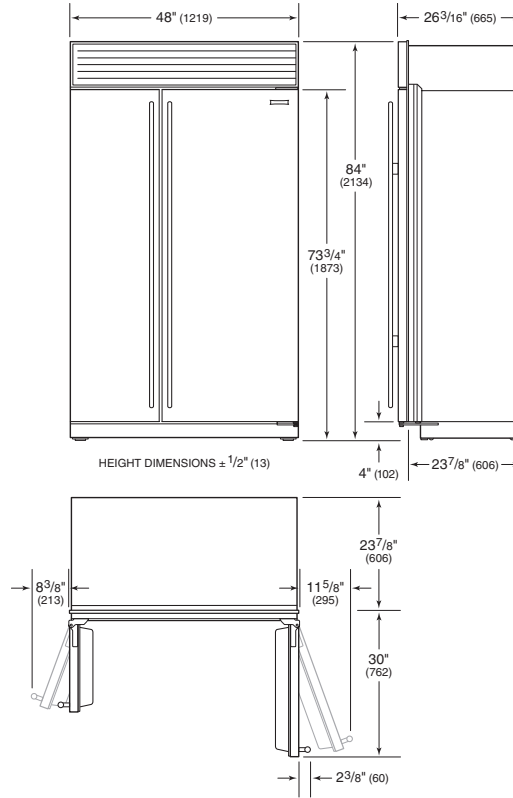
**SPECIFICATIONS**

<b>PRODUCT</b>	
Dimensions	48"W x 84"H x 24"D
Weight	630 lb
<b>CAPACITY</b>	
Refrigerator	19.1 cu ft
Freezer	9.8 cu ft
<b>ELECTRICAL</b>	
Supply	115 VAC, 60 Hz
Service	15 amp circuit
<b>PLUMBING</b>	
Supply	1/4" OD copper, braided stainless steel or PEX tubing
Pressure	35-120 psi

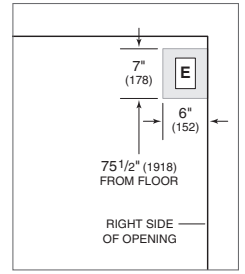
Specifications are subject to change without notice. Visit [subzero.com/specs](http://subzero.com/specs) for the most up-to-date information.

Dimensions may vary  $\pm 1/8"$  (3). Dimensions in parentheses are millimeters unless otherwise specified.

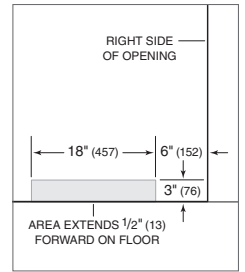
**DIMENSIONS**



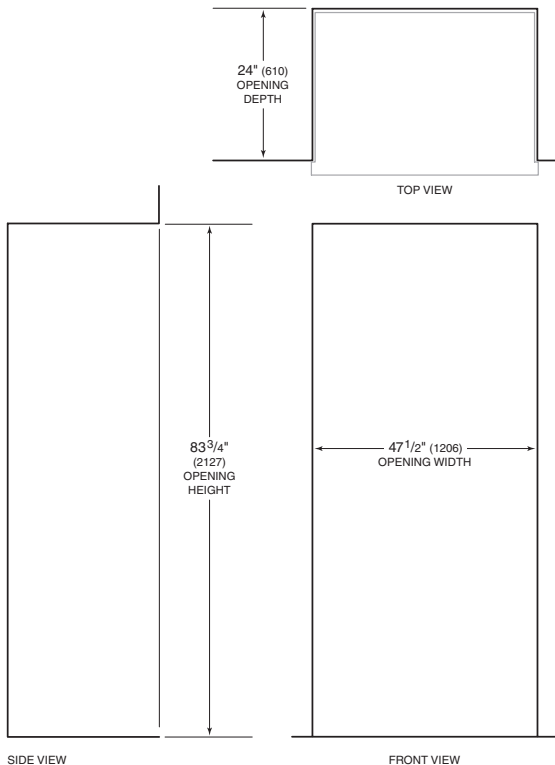
**ELECTRICAL**



**PLUMBING**

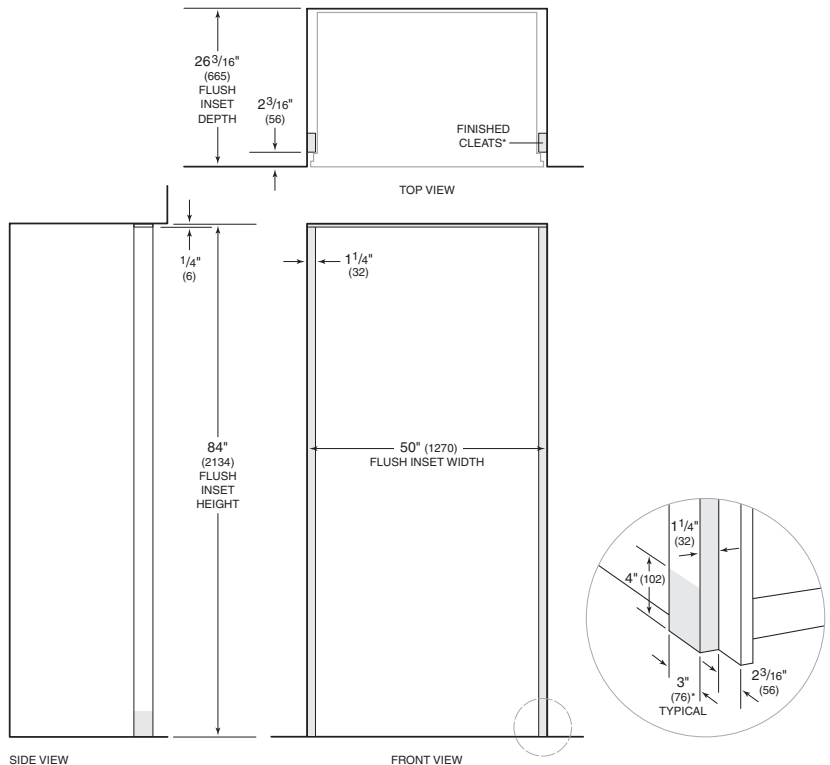


**STANDARD INSTALLATION**



NOTE: Shaded line represents profile of unit.

**FLUSH INSET INSTALLATION**



\*3" (76) typical depth. Shaded areas will be visible and should be finished to match cabinetry.  
NOTE: Shaded line represents profile of unit with 3/4" (19) panel.