



36" Built-In Over-and-Under with French Door

Sub-Zero continues to provide designers and homeowners with products that meet their needs. Fresh to our built-in line is our new 36" French door refrigerator/freezer available in stainless steel with tubular or pro handles or as an overlay model. The new French door model features two 18" refrigerator doors that allow for more open-door access, a benefit for smaller kitchens.



Stainless steel model BI-36UFD shown with pro handles. Also shown is Wolf model DF364G dual fuel range.

FEATURES

- Dual refrigeration system ensures the freshest food and energy efficiency.
- Electronic microprocessor constantly monitors entire unit to ensure proper food storage environment.
- Air purification system reduces odors, bacteria, viruses and ethylene gas.
- Advanced water filtration system.
- Illuminated touch control panel.
- Bright interior lighting throughout, including storage drawer area.
- Adjustable spill-proof glass shelves, door shelves and dairy compartments.
- Soft-close crisper and deli drawers form a lower temperature zone ideal for produce and meats.
- Easy-access flip-up grille.
- Informational freshness cards.
- Full-extension, roll-out freezer drawer.
- Max ice feature increases production for a 24-hour period.



Flip-up grille.



Air purification system.

MODEL OPTIONS

MODEL OPTIONS	BI-36UFD/O	BI-36UFD/S/TH	BI-36UFD/S/PH
Design	Overlay/Framed/Flush Inset	Stainless	Stainless
Grille	Panel	Stainless	Stainless
Handle	*	Tubular	Pro

**Handle not included to allow for design flexibility.*

INTERIOR FEATURES

- **Refrigerator**
15.7 cu ft Capacity
Air Purification System
3 Adjustable Glass Shelves
1 Stationary Glass Shelf
1 High-Humidity Drawer with Dividers
1 Storage Drawer with Dividers
4 Adjustable Door Shelves
2 Stationary Door Shelves
2 Adjustable Dairy Compartments
- **Freezer**
5.3 cu ft Capacity
Water Filtration System
Full-Extension Roll-Out Freezer Drawer
Two-Tier Wire Storage Baskets
Automatic Ice Maker

ACCESSORIES

- Grilles for 83" or 88" finished height (84" is standard).
- Framed front panels in white or stainless steel.
- Flush inset panels in stainless steel with tubular or pro handles.
- Custom front panel mounting kit.
- Side panel in white or stainless steel.
- Stainless steel kickplate.
- Framed grille insert and full-length handles.
- Stainless steel tubular and pro handles.
- Dozen egg container.
- Replacement air purification cartridge and water filter.
- 90° door stop.

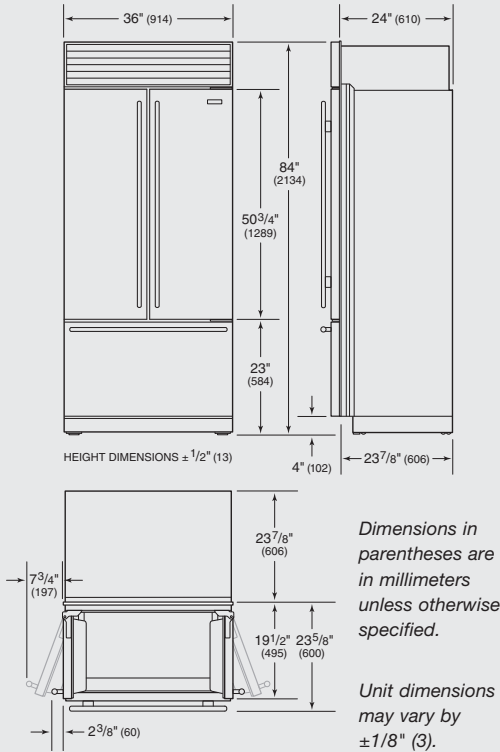
Accessories are available through your Sub-Zero dealer. For local dealer information, visit the find a showroom section of our website, subzero.com.





36" Built-In Over-and-Under with French Door

OVERALL DIMENSIONS



SPECIFICATIONS

Overall Dimensions	36" W x 84" H x 24" D
Drawer Clearance	Standard 23 5/8" Flush Inset 21 7/16"
Opening Width	35 1/2"
Flush Inset Width	38"
Opening Height	83 3/4"
Flush Inset Height	84"
Opening Depth	24"
Flush Inset Depth	26 3/16"
Electrical Requirements	115 V AC, 60 Hz 15 amp circuit
Plumbing Requirements	1/4" OD copper, braided stainless steel or PEX tubing 35–120 psi
Shipping Weight	529 lbs

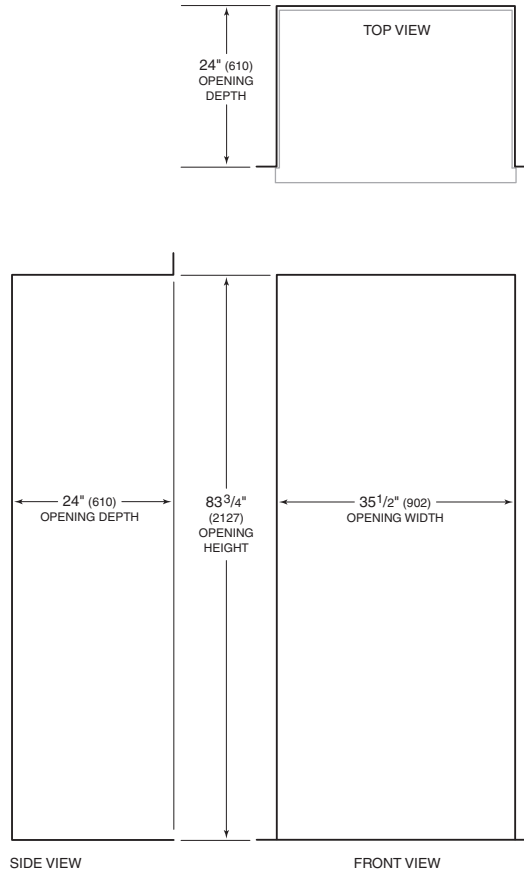
INSTALLATION NOTES

Built-In models may be used in a standard installation or in a flush inset installation which allows the unit to be flush with surrounding cabinetry.

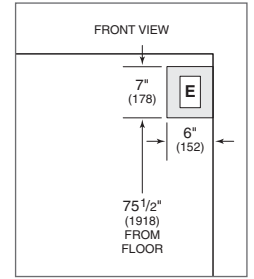
Complete installation specifications, including panel sizes, can be found on our website, subzero.com/specs.

INSTALLATION SPECIFICATIONS

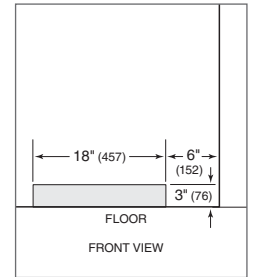
Standard Installation



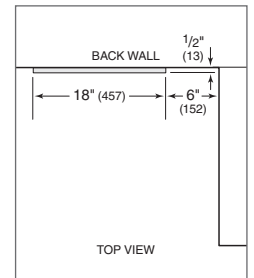
Location of Electrical Supply



Location of Water Supply—Rear

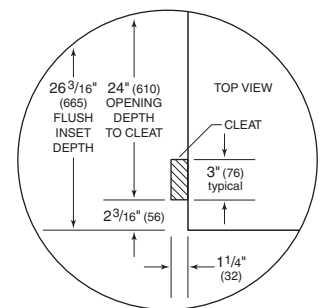
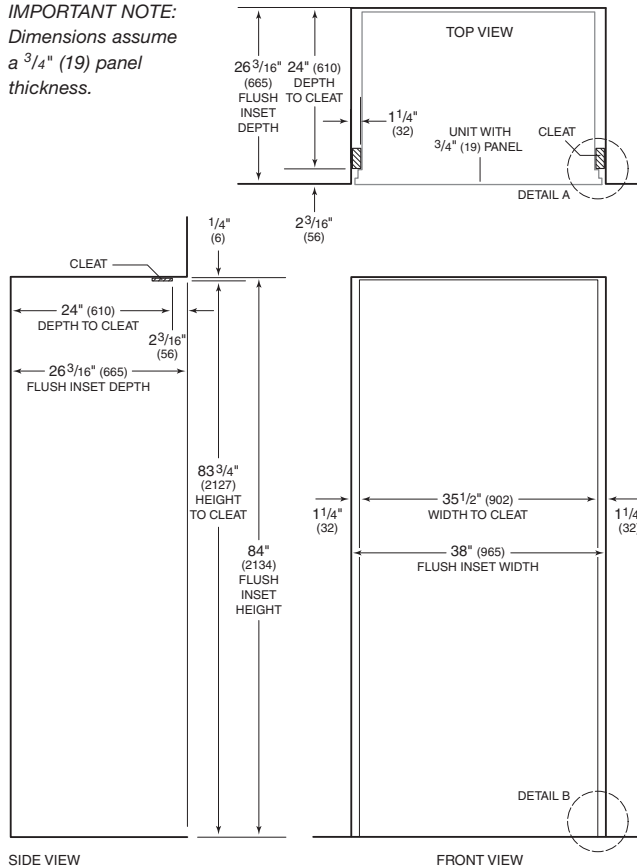


Location of Water Supply—Bottom

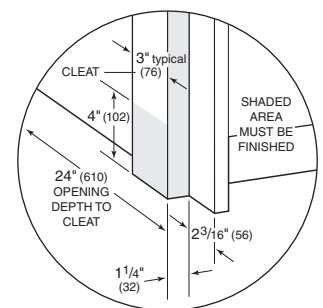


Flush Inset Installation

IMPORTANT NOTE:
Dimensions assume a 3/4" (19) panel thickness.



Detail A



Detail B