

# ME21F707MJT

## OTR Microwave

### Features

- 2.1 cu. ft. Capacity
- 1000 W of cooking power, with sensor cooking to heat food the correct amount of time
- LED Cooktop Light
- Ceramic Enamel Interior
- One Touch Simple Clean Filter
- Eco Mode (reduces standby power)
- Cooking Control: 10 power levels including defrost and sensor cook options
- Rotating Glass Turntable
- Glass Touch Bottom Controls
- 2-Line LCD Display
- 400 CFM Ventilation System

### Convenience

- Kitchen Timer
- Clock (12hr/24hr) with Daylight Saving Time Adjustment
- Child Safety Lock
- Reminder End Signal
- Auto Night Light



One Touch Simple Clean Filter



Ceramic Enamel Interior

### Available Color



Stainless Steel

### Signature Features



Glass Touch Bottom Controls

#### PRECISE TOUCH CONTROL WITH A PREMIUM LOOK

- Convenient location makes it easy to access cooking options.
- Glass control panel provides a seamless, integrated design.
- Design elements match (but are not limited to) the slide-in electric ranges.



Ceramic Enamel Interior

#### SCRATCH RESISTANT, AND EASY TO CLEAN

- Durable ceramic enamel interior provides a polished surface that's easy to maintain.
- Effortlessly remove grease or oil from surfaces.
- Protects against scratches that occur from daily use.



2.1 cu. ft. Capacity

#### BIG SPACE FOR BIG RESULTS

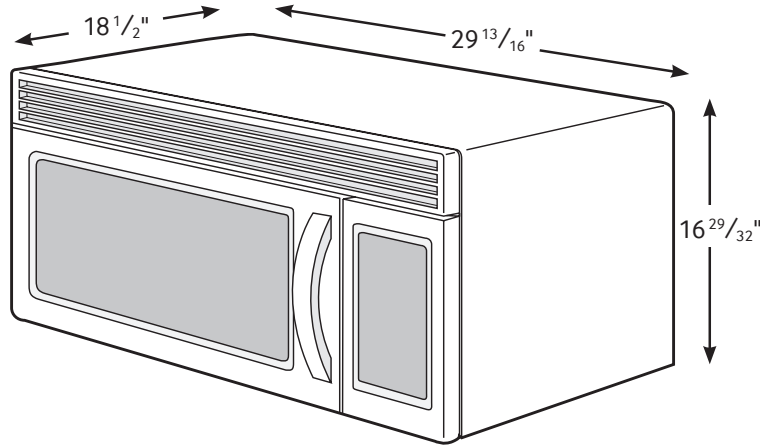
- 2.1 cu. ft. inside accommodates large platters and dishes, which typically do not fit in the average, mid-size 1.5 cu. ft. microwave.
- A perfect option for large families.

**SAMSUNG**

# ME21F707MJT

OTR Microwave

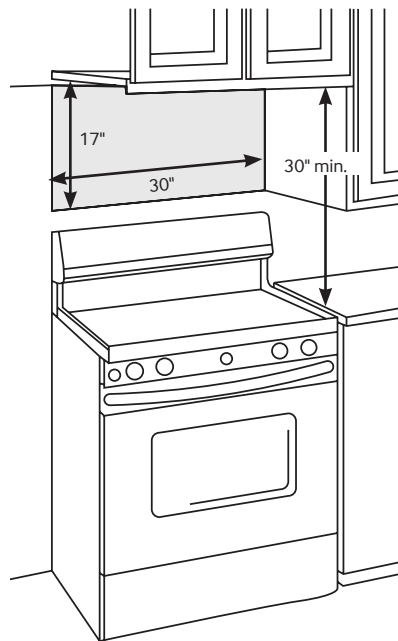
## Installing Your Microwave



This microwave oven is designed for adaptation to the following three types of ventilation:

- A. Outside Top Exhaust (Vertical Duct)
- B. Recirculating (Non-Vented Ductless)
- C. Outside Back Exhaust (Horizontal Duct)

- The space between the cabinets must be 30" wide and free of obstructions.
- This microwave oven is for installation over ranges up to 36" wide.
- The Microwave must be level. Use a level to make sure the cabinet bottom is level. If the cabinets have a front overhang only, with no back or side frame, install the mounting plate down the same distance as the front overhang depth. This will keep the microwave level. depth of the front overhang.



### Capacity

2.1 cu. ft.

### Power Output

1000 W

### Power Consumption

1700 W / 14.5 A

### Power Source

120 V / 60Hz

### Vent Fan

400 CFM

### Warranty

One (1) Year All Parts and Labor  
Ten (10) Years Parts on Magnetron

### Product Dimensions & Weight (WxHxD)

Outside Dimensions:

29 13/16" x 16 29/32" x 18 1/2"

Interior Cavity Dimensions:

22 1/8" x 10 13/16" x 14 13/16"

Weight: 58 lbs.

### Shipping Dimensions & Weight (WxHxD)

Dimensions: 33 5/16" x 20 3/4" x 16 29/32"

Weight: 65 lbs.

### Color

Stainless Steel

### Model #

ME21F707MJT

### UPC Code

887276981352

FOR EASIER INSTALLATION AND PERSONAL SAFETY, WE RECOMMEND THAT TWO PEOPLE INSTALL THIS MICROWAVE OVEN.

IMPORTANT: Do not grip or use handle during installation.

NOTE: If your cabinet is metal, use the nylon grommet around the power cord hole to prevent cutting of the cord.

NOTE: We recommend using filler blocks if the cabinet front hangs below the cabinet bottom shelf.

IMPORTANT: If filler blocks are not used, case damage may occur from over tightening screws.

NOTE: When mounting the microwave oven, thread power cord through hole in bottom of top cabinet.

Do not pinch cord or lift oven by pulling cord.

**SAMSUNG**