

Wine Cellar

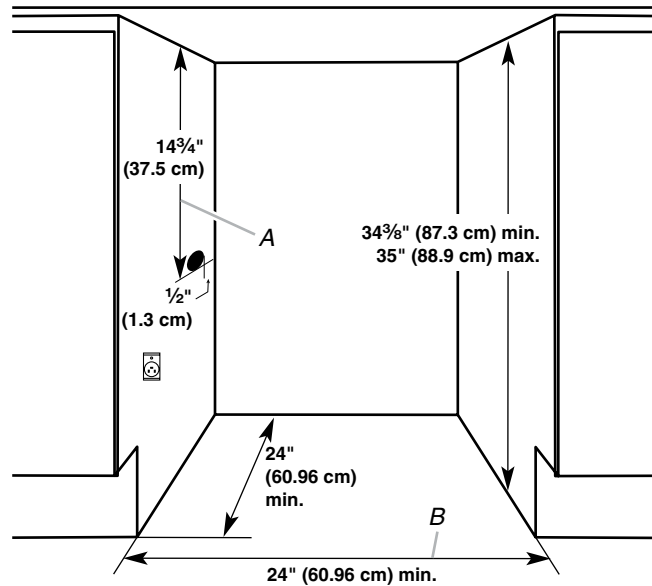
PRODUCT MODEL NUMBERS

KUWL204EPA KUWR204EPA

Electrical: A 115 volt, 60 Hz., AC only, 15- or 20-amp fused, grounded electrical supply is required. It is recommended that a separate circuit serving only your wine cellar be provided. Use an outlet that cannot be turned off by a switch. Do not use an extension cord.

NOTE: Before performing any type of installation, cleaning, or removing a light bulb, unplug wine cellar or disconnect power.

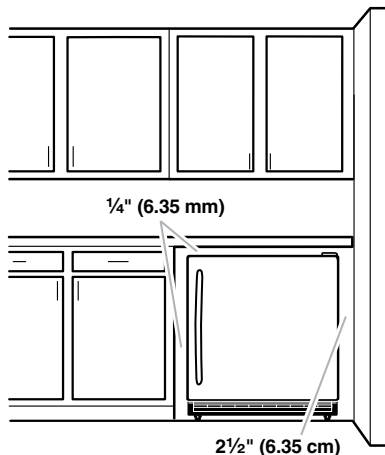
OPENING DIMENSIONS



A. 14³/₄" (37.5 cm) utility opening
B. 24" (60.96 cm) minimum opening width

- Height dimensions are shown with the leveling legs extended to the minimum height.
NOTE: When leveling legs are fully extended, add ⁵/₈" (15 mm) to the height dimensions.
- If the floor of the opening is not level with the kitchen floor, shim the opening to make it level with the kitchen floor.

LOCATION REQUIREMENTS



To ensure proper ventilation for your wine cellar, allow for a ¹/₄" (6.35 mm) space on each side and at the top. When installing your wine cellar next to a fixed wall, leave 2¹/₂" (6.35 cm) minimum clearance on the hinge side to allow for the door to swing open.

NOTE: It is recommended that you do not install the wine cellar near an oven, radiator, or other heat source. Do not install in a location where the temperature will fall below 55°F (13°C). For best performance, do not install the wine cellar behind a cabinet door or block the base grille.