

Dishwashers

EIDW6105G S, EIDW6105G W, EIDW6105G B



Fully Integrated Controls

Features fully integrated IQ-Touch™ controls, 6 wash cycles and 4 dishcare options.



Quietest in its Class*

So quiet you can run it whenever you want and no one will notice. Tested to 45 dBA sound level.



Luxury-Glide™ Racks

Luxury-Glide™ upper and lower racks fully extend for easy loading and unloading.



Largest Usable Capacity

Largest usable capacity** in its class so all of your dinner party dishware fits.

24" BUILT-IN DISHWASHERS

| | |
|--------------|-----|
| ENERGY STAR® | Yes |
|--------------|-----|

Features

| | |
|---|-----|
| Stainless Steel Interior | Yes |
| Signature Soft-Arc Door and Handle Design | Yes |
| Luxury-Hold™ Door | Yes |
| IQ-Touch™ Electronic Controls | Yes |
| Fully Integrated Control Panel | Yes |
| Tall Tub Design | Yes |
| Smart Soil Sensor™ | Yes |
| Luxury-Quiet™ Sound Package | Yes |
| Wash Levels | 5 |
| AquaLux™ Wash System | Yes |
| Luxury-Dry™ Power Dry System | Yes |
| Adjustable Rinse Aid Dispenser with Indicator | Yes |

Cycles

| | |
|------------|-----|
| Auto Wash | Yes |
| Heavy | Yes |
| Normal | Yes |
| Favorite | Yes |
| Quick | Yes |
| Rinse Only | Yes |

Options

| | |
|--------------------------------|---------|
| Hi-Temp. Wash | Yes |
| NSF® Certified Sanitize Option | Yes |
| Delay Start (Hours) | 2, 4, 6 |
| Air Dry | Yes |

Rack System

| | |
|----------------------------------|---------------|
| Nylon Rack System | Yes |
| Luxury-Glide™ Nylon Upper Rack – | |
| Adjustable Height | Yes |
| Cup Shelf / Stemware Holder | 2/Yes |
| Fold-Down Tines | 2 Rows |
| Rack Handle | Yes |
| Luxury-Glide™ Nylon Lower Rack – | |
| Fold-Down Tines | 2 Rows |
| Silverware Basket | 3-Piece Split |

Specifications

| | |
|--|--------------------|
| Overall Exterior Dimensions – | |
| Height (Adjustable) | 33-7/8" – 34-7/8" |
| Width | 23-3/4" |
| Depth (to Center of Arc) (with 90° Door Open) | 24-5/8" 49-7/8" |
| Power Supply/Water Inlet Location | Middle Bottom Rear |
| Leveling Legs | Yes |
| Water Usage (Gallons) – Normal Cycle | 4.9 – 8.5 |
| Water Pressure (PSI) | 15 – 120 |
| Voltage Rating | 120V/60Hz/15A |
| Connected Load (kW Rating) @ 120 Volts‡ | 1.44 |
| Amps @ 120 Volts | 9 |
| Product Weight | 98 Lbs. |
| Shipping Weight | 115 Lbs. |

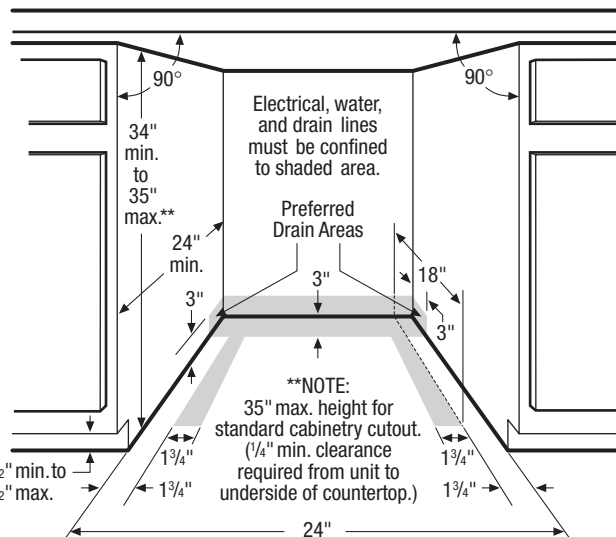
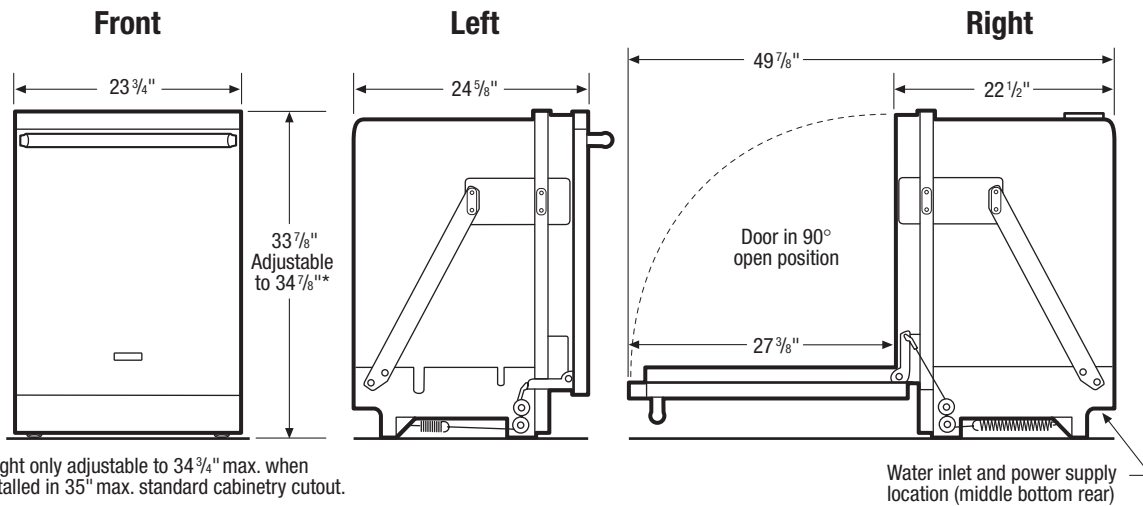
‡For use on adequately wired 120V, dedicated circuit having 2-wire service with a separate ground wire. Appliance must be grounded for safe operation.

NOTE: Always consult local and/or national electric codes. Refer to Product Installation Guide for detailed installation instructions on the web at www.electroluxappliances.com. Specifications subject to change.

*Based on published MSRP and specifications.

**As measured by adjusted rack space.





Built-In Dishwasher Specifications

- Product Weight – 98 Lbs.
- Voltage Rating – 120V/60Hz/15 Amps
- Connected Load (kW Rating) @ 120 Volts = 1.44kW (For use on adequately wired 120V, dedicated circuit having 2-wire service with a separate ground wire. Appliance must be grounded for safe operation.)
- Amps @ 120V = 9 Amps
- Always consult local and/or national electric & plumbing codes.
- Water Pressure – Hot water line to dishwasher must provide between 15 and 120 pounds per square inch (psi).
- Make sure location has right drain, water and electrical outlets to make connections.
- Keep back free of drain, water & electrical supply.
- Electrical and water supplies should enter cabinet opening on floor, or through back or side walls, as shown in shaded areas.

- Connections preferably located toward left side of dishwasher. Do not cross drain, water or electrical lines in front of motor, blower or frame.
- Minimum clearance of 1/4" required from unit to underside of countertop.
- Leveling legs supplied to adjust height. (*Note: Height only adjustable to 34-3/4" max. when installed in 35" max. standard cabinetry cutout to allow for 1/4" min. clearance.*)
- When installing in corner, allow 2" clearance between opened door and wall, to allow door to open.
- When installing at end of cabinet line, sides must be fully enclosed.
- Do not install unit under a cooktop, damage may occur.

Note: For planning purposes only. Refer to Product Installation Guide on the web at electroluxappliances.com for detailed instructions.