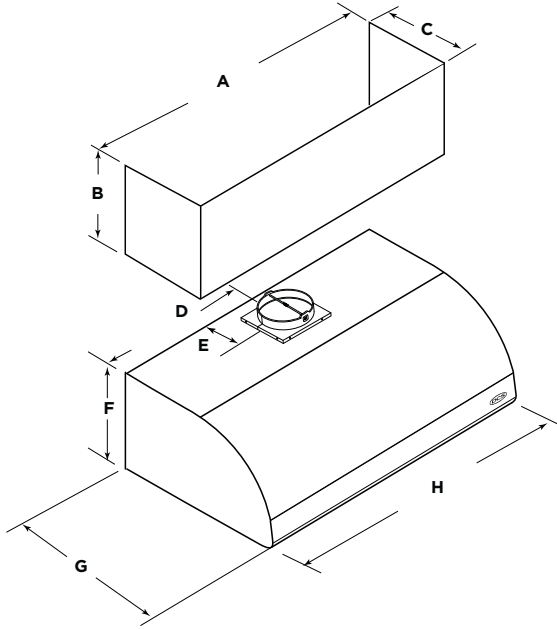




Ventilation Product Dimensions

ES30, ES36, VS30, VS36, VS1236 & VS48

Euro venthood/ wall mount venthood



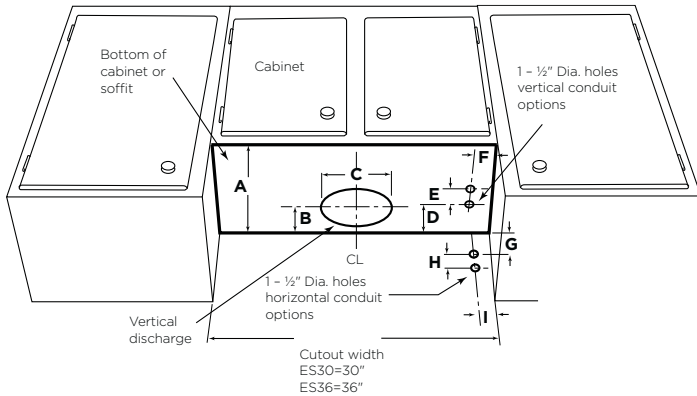
Product Dimensions (inches)

| | ES30 | ES36 | VS30 | VS36 VS1236 | VS48 |
|--|------------------------|------------------------|------------------------|------------------------|------------------------|
| A Duct cover accessory overall width | 29 - $\frac{7}{8}$ " | 35 - $\frac{7}{8}$ " | 29 - $\frac{7}{8}$ " | 35 - $\frac{7}{8}$ " | 47 - $\frac{7}{8}$ " |
| B Duct cover accessory overall height | 6" or 12" | 6" or 12" | 6" or 12" | 6" or 12" | 6" or 12" |
| C Duct cover accessory overall depth | 12" | 12" | 12" | 12" | 12" |
| D Center of exhaust opening from side of hood | 14 - $\frac{15}{16}$ " | 17 - $\frac{15}{16}$ " | 14 - $\frac{15}{16}$ " | 17 - $\frac{15}{16}$ " | 23 - $\frac{15}{16}$ " |
| E Center of exhaust opening from rear of hood | 6" | 6" | 6" | 6" | 6" |
| F Overall height of product | 12" | 12" | 18" | 18" | 18" |
| G Overall depth of product | 23" | 23" | 25" | 25" | 25" |
| H Overall width of product | 29 - $\frac{7}{8}$ " | 35 - $\frac{7}{8}$ " | 29 - $\frac{7}{8}$ " | 35 - $\frac{7}{8}$ " | 47 - $\frac{7}{8}$ " |



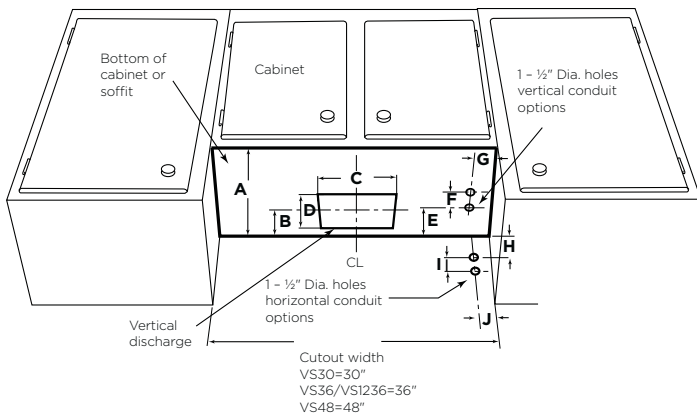
Ventilation Cabinetry Dimensions

ES30, ES36, VS30, VS36, VS1236 & VS48



Euro Venthood

| | ES30 ES36 |
|--|--------------|
| A Bottom of cabinet/soffit depth | 12" min |
| B Distance from rear wall to center of exhaust cutout | 6" |
| C Diameter of exhaust cutout | 10" |
| D Distance from rear wall to center of hole for conduit running vertically | 6 - 3/4" |
| E Optional hole location for conduit running vertically | 1 - 7/8" |
| F Distance from right side of cutout to center of hole for conduit running vertically | 5 - 3/4" |
| G Distance from bottom of cabinet to center of hole for conduit running horizontally | 5 - 7/8" |
| H Optional hole location for conduit running horizontally | 1 - 7/8" |
| I Distance from right side of cutout to center of hole for conduit running horizontally | 5 - 1/8" |



Wall Mount Venthood

| | VS30/VS36 VS48/ VS1236 |
|--|------------------------------|
| A Bottom of cabinet/soffit depth | 12" min |
| B Distance from rear wall to center of exhaust cutout | 6" |
| C Width of cutout | 11" |
| D Depth of cutout | 11" |
| E Distance from rear wall to center of hole for conduit running vertically | 6 - 3/4" |
| F Optional hole location for conduit running vertically | 1 - 7/8" |
| G Distance from right side of cutout to center of hole for conduit running vertically | 5 - 3/4" |
| H Distance from bottom of cabinet to center of hole for conduit running horizontally | 8 - 3/8" |
| I Optional hole location for conduit running horizontally | 1 - 7/8" |
| J Distance from right side of cutout to center of hole for conduit running horizontally | 5 - 1/8" |