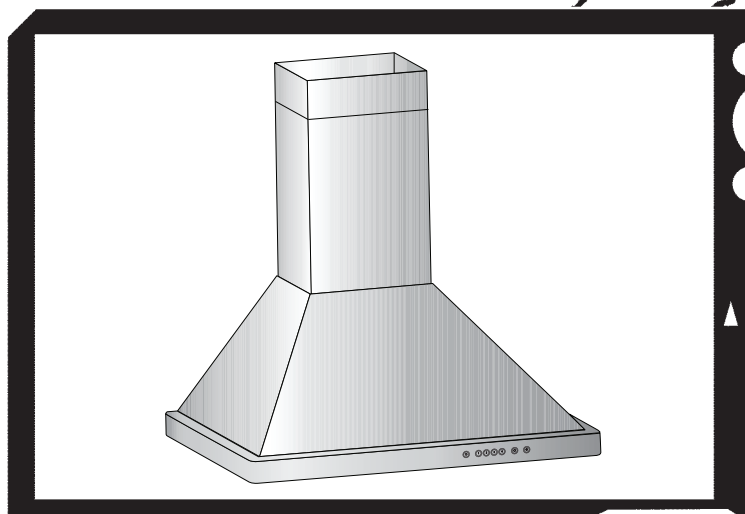


best®



WTT32I Series

In USA - BEST® Hartford, Wisconsin

REGISTER YOUR PRODUCT ONLINE AT : www.BestRangeHoods.com/register
For additional Information visit www.BestRangeHoods.com

READ AND SAVE THESE INSTRUCTIONS

⚠ INTENDED FOR DOMESTIC COOKING ONLY ⚠

⚡ ⚠ WARNING

TO REDUCE THE RISK OF FIRE, ELECTRIC SHOCK, OR INJURY TO PERSON(S) OBSERVE THE FOLLOWING:

1. Use this unit only in the manner intended by the manufacturer. If you have questions, contact the manufacturer at the address or telephone number listed in the warranty.
2. Before servicing or cleaning unit, switch power off at service panel and lock service disconnecting means to prevent power from being switch on accidentally. When the service disconnecting means cannot be locked, securely fasten a prominent warning device, such as a tag, to the service panel.
3. Installation work and electrical wiring must be done by qualified personnel in accordance with all applicable codes and standards, including fire-rated construction codes and standards.
4. Sufficient air is needed for proper combustion and exhausting of gases through the flue (chimney) of fuel burning equipment to prevent backdrafting. Follow the heating equipment manufacturer's guidelines and safety standards such as those published by the National Fire Protection Association (NFPA), the American Society for Heating, Refrigeration and Air Conditioning Engineers (ASHRAE) and the local code authorities.
5. This product may have sharp edges. Be careful to avoid cuts and abrasions during installation and cleaning.
6. When cutting or drilling into wall or ceiling, do not damage electrical wiring and other hidden utilities.
7. Ducted fans must always be vented to the outdoors.
8. To reduce the risk of fire, use only steel ductwork.
9. Do not use this unit with any other solid-state speed control device.
10. Do not operate any fan with a damaged cord or plug. Discard fan or return to an authorized service facility for examination and/or repair.
11. **GROUNDING INSTRUCTION:** The appliance must be grounded. In the event of an electrical short circuit, grounding reduces the risk of electric shock by providing an escape wire for the electric current. The appliance is equipped with a cord having a grounding wire with a grounding plug. The plug must be plugged into an outlet that is properly installed and grounded. **WARNING:** Improper grounding can result in a risk of electric shock. Consult a qualified electrician if the grounding instructions are not completely understood, or if doubt exists as to whether the appliance is properly grounded. Do not use an extension cord. If the power supply cord is too short, have a qualified electrician install an outlet near the appliance.

TO REDUCE THE RISK OF A RANGE TOP GREASE FIRE:

- a) Never leave surface units unattended at high settings. Boilovers cause smoking and greasy spillovers that may ignite. Heat oils slowly on low or medium settings.
- b) Always turn hood ON when cooking at high heat or when cooking flaming foods (i.e. Crêpes Suzette, Cherries Jubilee, Peppercorn Beef Flambé).
- c) Clean ventilating fans frequently. Grease should not be allowed to accumulate on fan or filters.
- d) Use proper pan size. Always use cookware appropriate for the size of the surface element.

TO REDUCE THE RISK OF INJURY TO PERSON(S) IN THE EVENT OF A RANGE TOP GREASE FIRE, OBSERVE THE FOLLOWING*:

1. SMOTHER FLAMES with a close-fitting lid, cookie sheet, or metal tray, then turn off the burner. BE CAREFUL TO PREVENT BURNS. IF THE FLAMES DO NOT GO OUT IMMEDIATELY, EVACUATE AND CALL THE FIRE DEPARTMENT.
2. NEVER PICK UP A FLAMING PAN – You may be burned.
3. DO NOT USE WATER, including wet dishcloths or towels – This could cause a violent steam explosion.
4. Use an extinguisher ONLY if:
 - A. You know you have a Class ABC extinguisher and you know how to operate it.
 - B. The fire is small and contained in the area where it started.
 - C. The fire department has been called.
 - D. You can fight the fire with your back to an exit.

* Based on “Kitchen Fire Safety Tips” published by NFPA.

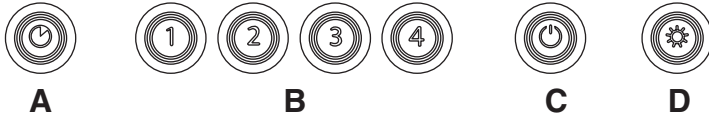
CAUTION

1. For indoor use only.
2. For general ventilating use only. Do not use to exhaust hazardous or explosive materials and vapors.
3. To avoid motor bearing damage and noisy and/or unbalanced impeller, keep drywall spray, construction dust, etc. off power unit.
4. Your hood motor has a thermal overload which will automatically shut off the motor if it becomes overheated. The motor will restart when it will cool down. If the motor continues to shut off and restart, have the hood serviced.
5. The bottom of the hood MUST NOT BE LESS than 24” and at a maximum of 30” above cooktop for best capture of cooking impurities.
6. Two installers are recommended because of the size of this hood.
7. To reduce risk of fire and to properly exhaust air, be sure to duct air outside. Do not exhaust air into spaces within walls or ceilings or into attics, crawl spaces, or garages.
8. Be careful when installing the decorative flue and hood, they may have sharp edges.
9. Please read specification label on product for further information and requirements.

OPERATION

Always turn your hood on before you begin cooking to establish an air flow in the kitchen. Let the blower run for a few minutes to clear the air after you turn off the range.

The hood is operated using the push buttons on the front panel.



A. DELAY SWITCH

When a blower speed is selected, press this switch to activate the delay function. The delay button will illuminate to indicate this function is activated. The blower will continue to operate for 5 minutes and will stop automatically. To cancel the delay function, press the delay switch once again.

B. START / STOP / SPEED SELECTION SWITCHES

Press the switch corresponding to the desired blower speed (from 1 for low speed to 4 for high speed). The chosen switch will light. To turn off the blower, press once more on the corresponding blower speed switch; the switch light will shut off.

C. MASTER OFF / FILTER MAINTENANCE / HEAT SENTRY™ (TRIPLE FUNCTION SWITCH)

To turn off the blower and the light simultaneously, press this switch once. After 25 hours of operation, this switch will light to indicate the filters and the blower wheel(s) need to be cleaned in order to maintain efficient operation of the unit. The switch light will stay on until the function is reset by pressing this switch for 3 seconds. The light indicator is used for the Heat Sentry function as well.

HEAT SENTRY: When an excessively high temperature is detected, the Heat Sentry takes control over the blower and sets it on speed 3. The triple-function switch will flash. The blower will remain on until the heat condition is back to normal. It will then return to the speed previously selected.

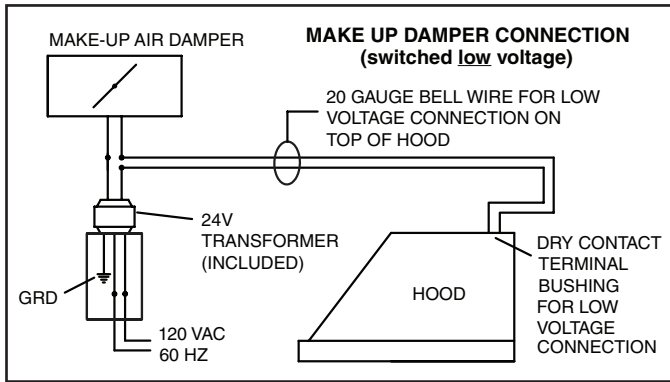
⚠ WARNING: The Heat Sentry can start the blower even if the hood is turned off. When this situation occurs, it is impossible to turn the blower off using the push buttons. If you must stop the blower, do it from the main electrical panel.

D. LIGHT SWITCH

This switch allows three different lighting levels according to your needs. Press once for nightlight, twice for normal or three times to obtain full intensity. To shut off the lights without turning off the blower, press once more.

MAKE-UP AIR DAMPER

The hood is compatible with Broan Make-Up Air Damper Model MD6T or Model MD8T (optional). Purchase separately.



Make the connection to the Make-Up Air Damper with low voltage wiring, as shown. See Make-Up Air Damper instructions for additional information.

CLEANING & MAINTENANCE

For performance, appearance, and health reasons, clean filter, fan and grease-laden surfaces regularly. Use only a clean cloth and mild detergent solution on stainless and painted surfaces.

Clean all-metal filters in the dishwasher using a non-phosphate detergent. Discoloration of the filter may occur if using phosphate detergents, or as a result of local water conditions - but this will not affect filter performance. This discoloration is not covered by the warranty.

Clean the non-duct recirculating filter surfaces frequently with a damp cloth and a mild detergent. DO NOT immerse filters in water or put in dishwasher. Change the non-duct recirculating filters every 6 months. For replacement non-duct recirculating filters - purchase S97018968 or Model AFCWTT32 (for 30" wide hood) or S97019039 or Model AFCWTT326 (for 36" and 42" wide hoods).

The motor is permanently lubricated and never needs oiling. If the motor bearings make excessive or unusual noise, replace the blower assembly with an exact service replacement.

LIGHT BULBS

WARNING:

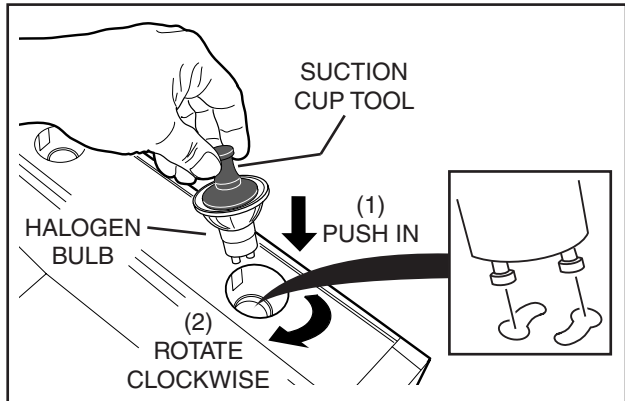
Bulbs may be hot. Always allow bulbs to cool down before removing them.

Use (2) Halogen Bulbs (included with hood) - 120 V, 50 W, shielded halogen bulbs - MR16 with GU10 base. (3 bulbs for 42" & 48" hoods.)

NOTE:

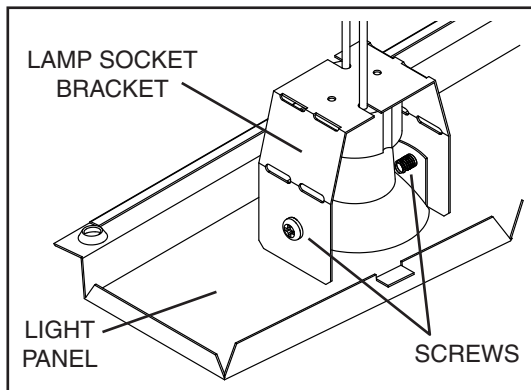
Suction Cup Tool

(included with hood) can be used to install and remove light bulbs. Align pins on bulb with large diameter opening on socket, then push bulb in towards hood and rotate clockwise until firmly seated. The position of the bulb socket (depth) is adjustable and may require adjustment when: a) certain brands of bulbs are difficult to install. b) the bulb protrudes too far below the light panel.

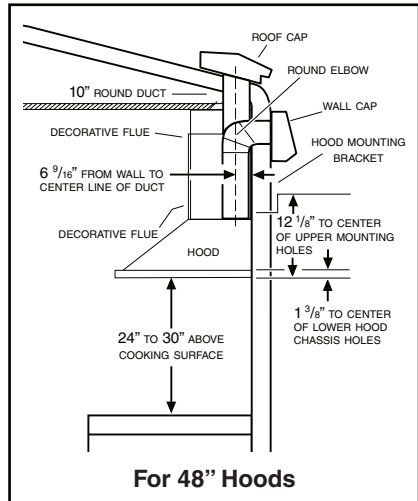
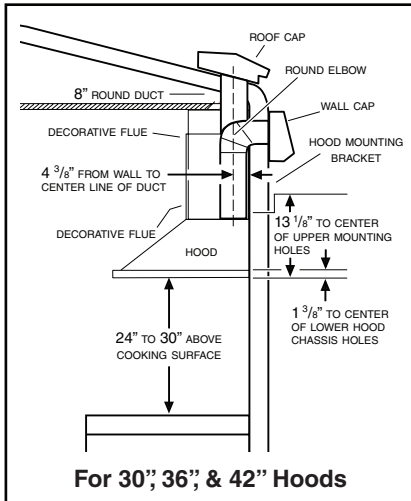


To change the depth of bulb sockets:

- Remove screws on light panel – set screws aside
- Remove Light Panel.
- Loosen 2 Screws holding Lamp Socket Bracket to Light Panel.
- Adjust socket/bracket to desired depth.
- Re-tighten screws securely.
- Re-attach light panel with screws that were previously set aside.



MEASURE THE INSTALLATION



The minimum hood distance above cooktop **MUST NOT BE LESS** than 24".

A maximum of 30" above cooktop is highly recommended for best capture of cooking impurities.

Distances over 30" are at the installer and users discretion; providing that the ceiling height permits.

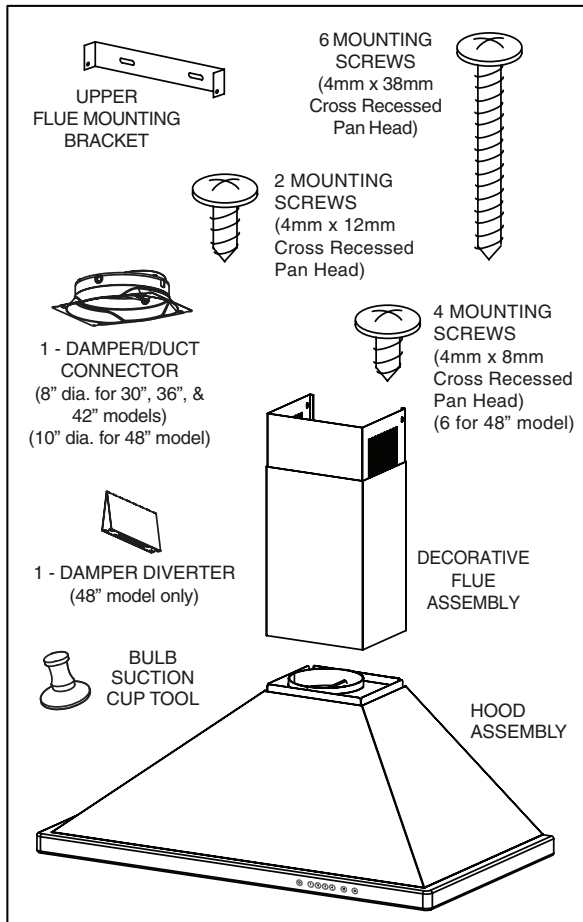
INSTALL THE DUCTWORK (Ducted Hoods Only)

1. Decide where the ductwork will run between the hood and the outside.
2. A straight, short duct run will allow the hood to perform most efficiently.
3. Long duct runs, elbows and transitions will reduce the performance of the hood. Use as few of them as possible. Larger ducting may be required for best performance with longer duct runs.
4. Install wall cap or roof cap. Connect round metal ductwork to cap and work back towards the hood location. Use duct tape to seal the joints between ductwork sections.

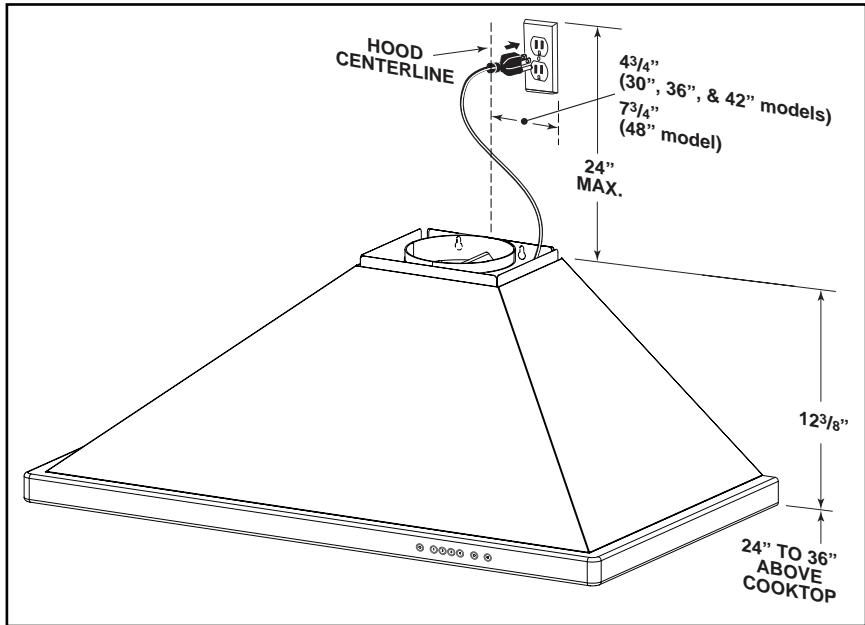
PREPARE THE HOOD

Unpack hood and check contents. You should receive:

- 1 - Hood Assembly
- 1 - Decorative Flue Assembly (consisting of upper and lower flue)
- 1 - Upper Flue Mounting Bracket
- 2 - Aluminum Grease Filters (installed on hood) (3 - on 48" model)
- 2 - 50W MR16 GU10 Halogen Lamps (installed on hood) (3 - on 42" & 48" model)
- 1 - 8" Damper / Duct Connector (for 30", 36", 42" models)
- 1 - 10" Damper / Duct Connector (for 48" model)
- 1 - Damper Diverter (for 48" model)
- 1 - Parts Bag containing:
 - 6 - Mounting Screws (4mm x 38mm Cross Recessed Pan Head)
 - 2 - Mounting Screws (4mm x 12mm Cross Recessed Pan Head)
 - 4 - Mounting Screws (4mm x 8mm Cross Recessed Pan Head) (6 for 48" model)
 - 1 - Suction Cup Tool (for bulb installation / removal)



INSTALL THE WIRING



GROUNDING INSTRUCTIONS

This appliance must be grounded. In the event of an electrical short circuit, grounding reduces the risk of electric shock by providing an escape wire for the electric current. This appliance is equipped with a cord having a grounding wire with a grounding plug. The plug must be plugged into an outlet that is properly installed and grounded.

Position the electrical outlet within the space covered by the decorative flue and where it will not interfere with the round duct. Make sure the outlet is no further than 24" from the top of the hood chassis, and that the outlet does not interfere with a mounting bracket fastening area or where the decorative flue touches the wall.

NOTE: A clock outlet can be used to minimize clearance related issues with the range hood plug.

INSTALL THE HOOD MOUNTING SUPPORT

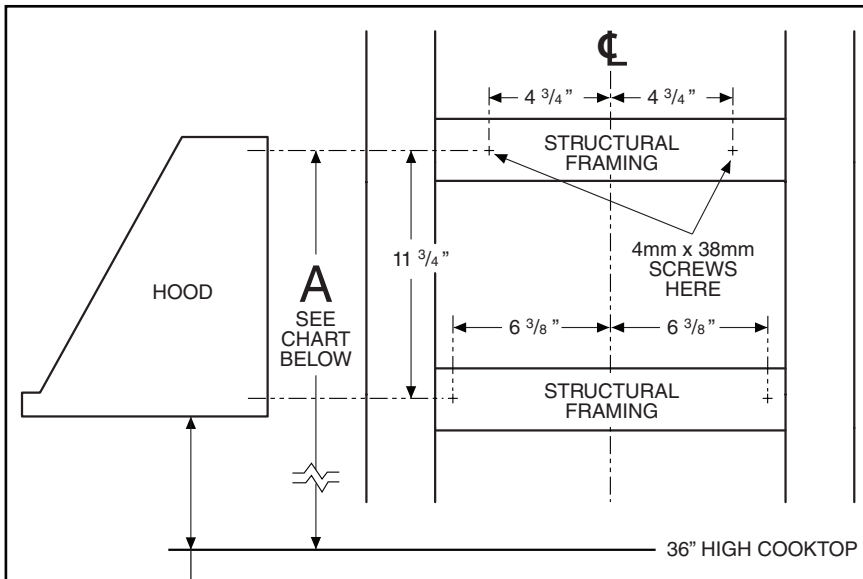
1. Construct structural wall framing that is flush with interior surface of wall studs. Make sure the framing is centered over installation location.

NOTE

Hood distance above cooktop is: Minimum 24"; Maximum 30". 9-ft. and 10-ft. ceilings may require Flue Extension, Model AEWTT32SB (for 30", 36" & 42" wide hoods) or Model AEWTT328SB (for 48" wide hoods), depending on installation height (purchase separately). See charts below for additional installation height information.

2. After wall surface is finished, fasten (2) 4mm x 38mm screws at the locations shown below. DO NOT TIGHTEN screws all the way - leave approximately 1/4" between screw head and wall.

For 30-in., 36-in., & 42-in. wide hoods



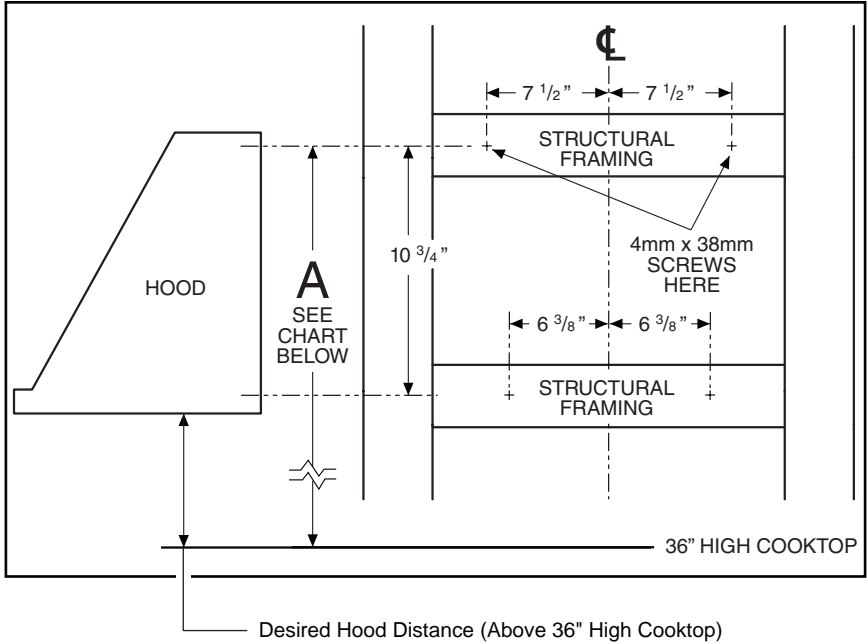
Desired Hood Distance (Above 36" High Cooktop)

	24"	25"	26"	27"	28"	29"	30"
Ceiling Height	Upper Mounting Screws Location (Distance above 36" High Cooktop) (Dimension "A")						
8 Feet	37-1/8"	38-1/8"	39-1/8"	40-1/8"	41-1/8"	*42-1/8"	*43-1/8"
9 Feet							43-1/8"
9 Feet with AEWTT32SB	**37-1/8"	**38-1/8"	**39-1/8"				
10 Feet with AEWTT32SB	37-1/8"	38-1/8"	39-1/8"	40-1/8"	41-1/8"	42-1/8"	43-1/8"

* Not applicable for non-duct installation.

** For non-duct installation, use upper flue from AEWTT32SB and lower flue from standard hood.

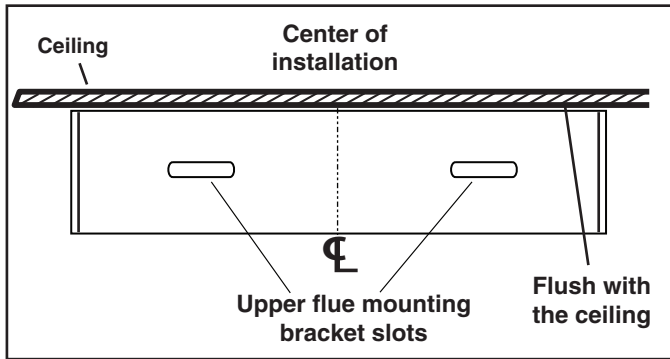
For 48-in. wide hoods



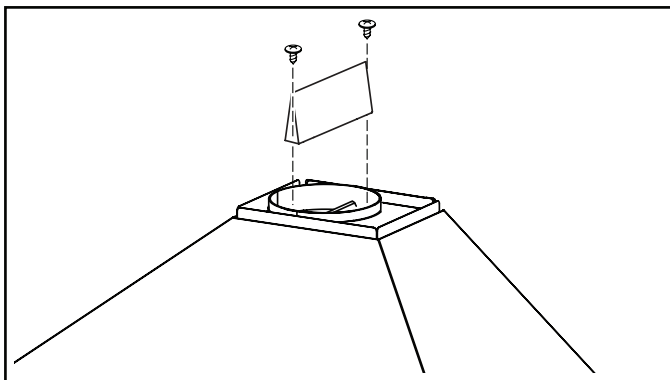
	24"	25"	26"	27"	28"	29"	30"
Ceiling Height	Upper Mounting Screws Location (Distance above 36" High Cooktop) (Dimension "A")						
8 Feet	36-1/8"	37-1/8"	38-1/8"	39-1/8"	40-1/8"	41-1/8"	42-1/8"
9 Feet					40-1/8"	41-1/8"	42-1/8"
9 Feet with AEWTT328SB	36-1/8"	37-1/8"	38-1/8"				
10 Feet with AEWTT328SB	36-1/8"	37-1/8"	38-1/8"	39-1/8"	40-1/8"	41-1/8"	42-1/8"

INSTALL THE HOOD

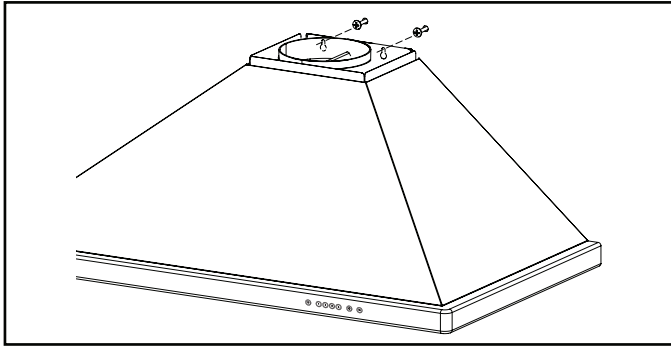
(Ducted Hoods Only)



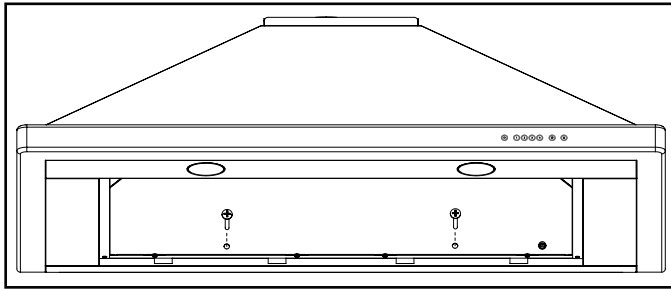
1. Center the flue mounting bracket over the hood location and flush with the ceiling. Secure the upper flue bracket to the wall using (2) 4mm x 38mm mounting screws. Note: Drywall anchors may be required (not included).
2. Tighten the screws completely. Make sure that the bracket is tight against the wall and ceiling.
3. Remove the protective plastic film covering the decorative flue and the hood at this time.
4. Remove the grease filters by pulling down the metal latch tab and tilting filters downward to remove.
5. Remove all internal foam fillers that support the blower assembly inside the hood.



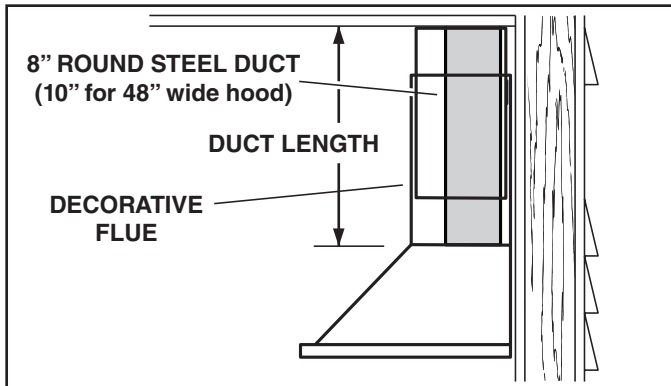
6. **For 48" wide hood only:** Attach damper / diverter to top of hood using (2) 4mm x 8mm mounting screws.
7. Attach the damper / duct connector (8" diameter for 30", 36", and 42" wide hoods and 10" diameter for 48" wide hood) using (4) 4mm x 8mm mounting screws.



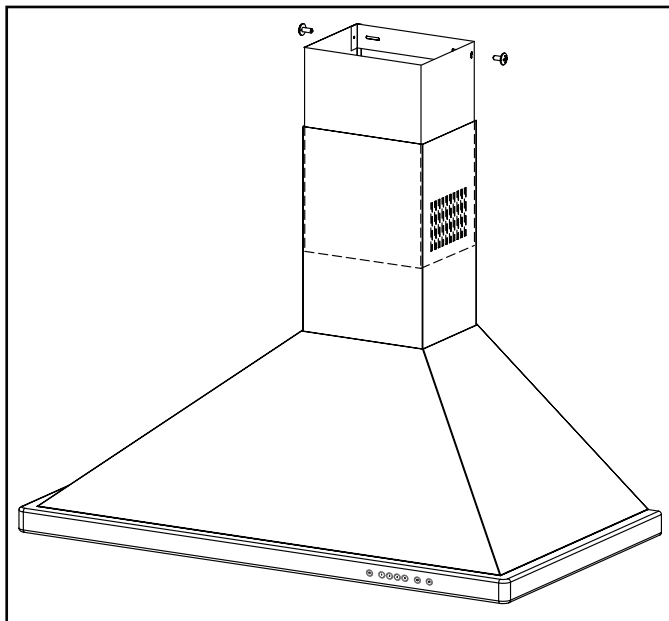
8. Align the two outer keyhole slots on the hood with the mounting screws that were partially tightened into the wall framing. Ensure that hood is seated entirely on mounting screws and that hood is level. Then tighten screws completely.
9. Install (2) 4mm x 38mm long screws into the holes inside the hood and tighten them securely.



10. Reinstall grease filters by aligning rear filter tabs with slots in the hood. Pull down the metal latch tab, push filters into position and release. Make sure filters are securely engaged after installation.



11. Measure and install steel ductwork to hood duct connector and ductwork rough-in on ceiling or wall. Use duct tape to make all joints secure and air tight.
12. Plug power cord into wall outlet.



13. Slide the upper decorative flue section into the lower decorative flue section.

NOTE

For ducted applications, the louvers on the upper flue should be hidden by positioning the louvers down, inside of the lower flue.

14. Carefully place the upper/lower flue assembly into the recessed area of the hood.
15. Slide the upper flue upward until it is aligned with its mounting bracket. The bracket should be inside the flue. Secure the upper flue to the upper flue mounting bracket using (2) 4mm x 12mm mounting screws.

NOTE

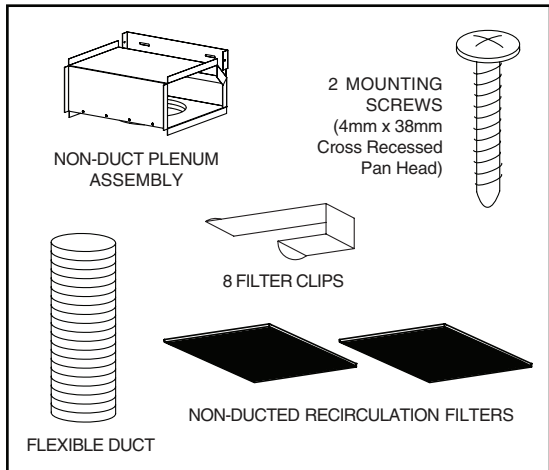
9-10 ft. ceilings may require Flue Extension Model AEWTT32SB (for 30", 36" & 42" wide hoods) or Model AEWTT328SB (for 48" wide hoods), depending on installation height (purchase separately). Discard the upper and lower flues supplied with your hood and replace them with Flue Extensions.

INSTALL THE HOOD (Non-Ducted Hoods Only)

NON-DUCT KIT MODEL ANKWTT320 OR ANKWTT326 CONTENTS

NOTE

Non-ducted installations require Non-Duct Kit, Model ANKWTT320 (for 30" wide hood) or Model ANKWTT326 (for 36" or 42" wide hood).



1. Center the non-duct plenum over the hood location and flush with the ceiling. Secure the non-duct plenum to the wall using (2) 4mm x 38mm mounting screws. Note: Drywall anchors may be needed (not included).

2. Tighten the screws completely. Make sure that the non-duct plenum is tight against the wall and ceiling.

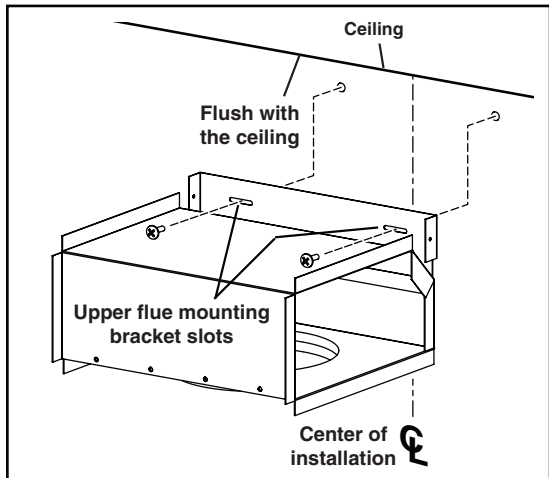
3. Remove damper flaps from damper / duct connector and discard flaps.

4. Remove the protective plastic film covering the decorative flue and the hood at this time.

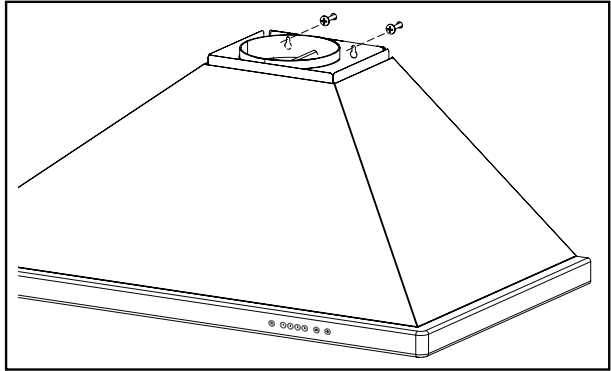
5. Attach the 8" round duct connector to the top of the hood using (4) 4mm x 8mm mounting screws.

6. Remove the grease filters by pulling down the metal latch tab and tilting filters downward to remove.

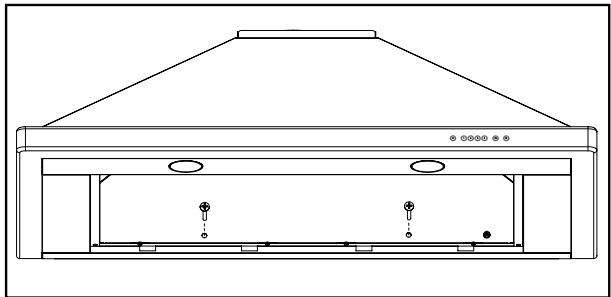
7. Remove all internal foam fillers that support the blower assembly inside the hood.



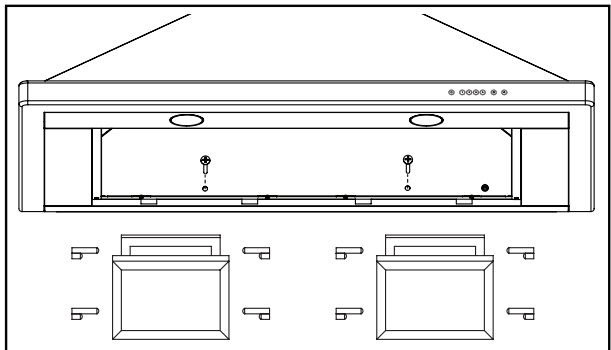
8. Align the two outer keyhole slots on the hood with the mounting screws that were partially tightened into the wall framing. Ensure that hood is seated entirely on mounting screws and that hood is level. Then tighten screws completely.



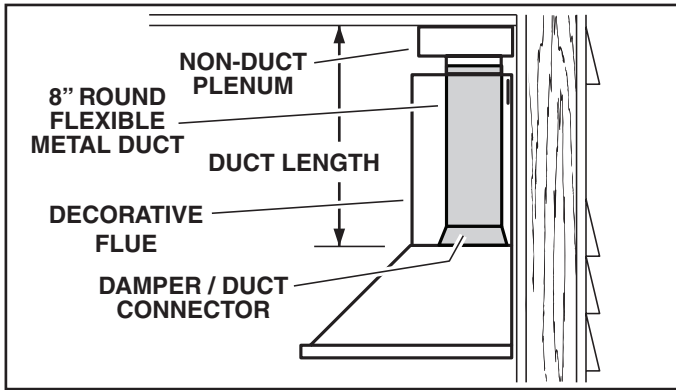
9. Install (2) 4mm x 38mm long screws into the holes inside the hood and tighten them securely.



10. Attach non-ducted filters to grease filter using (8) filter clips.



11. Reinstall grease/ non-duct filter assembly by aligning rear filter tab with slots in the hood. Pull down the metal latch tab, push filters into position and release. Make sure filters are securely engaged after installation.



12. Measure and install section of flexible metal ductwork (included with ANKWTT320 or ANKWTT326) to damper/duct connector and bottom of non-duct plenum. Use duct tape to make all joints secure and air tight.

CAUTION

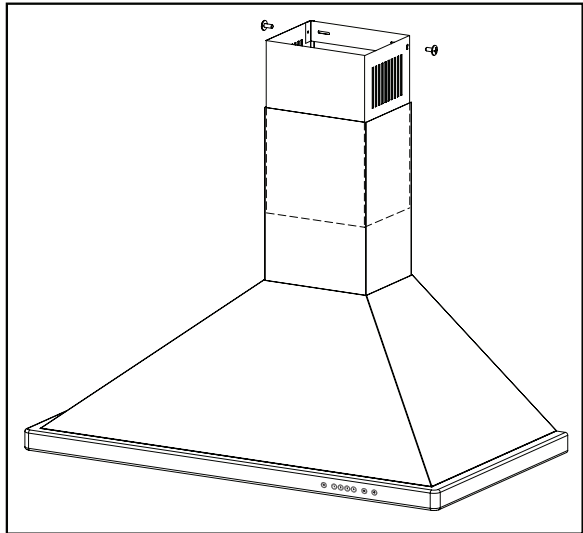
Do not use plastic duct.

13. Plug power cord into wall outlet.
14. Slide the upper decorative flue section into the lower decorative flue section.

NOTE

For non-ducted applications, the upper flue should be oriented so the louvers are towards the ceiling.

15. Carefully place the upper/lower flue assembly into the recessed area of the hood.
16. Slide the upper flue upward until it is aligned with the non-duct plenum. The non-duct plenum should be inside the flue. Secure the upper flue to the non-duct plenum using (2) 4mm x 12mm mounting screws.



NOTE

9-10 ft. ceilings may require Flue Extension Model AEWTT32SB depending on installation height (purchase separately). Discard the upper and lower flues supplied with your hood and replace them with Flue Extension Model AEWTT32SB.

SERVICE PARTS

30", 36" & 42" Wide Models

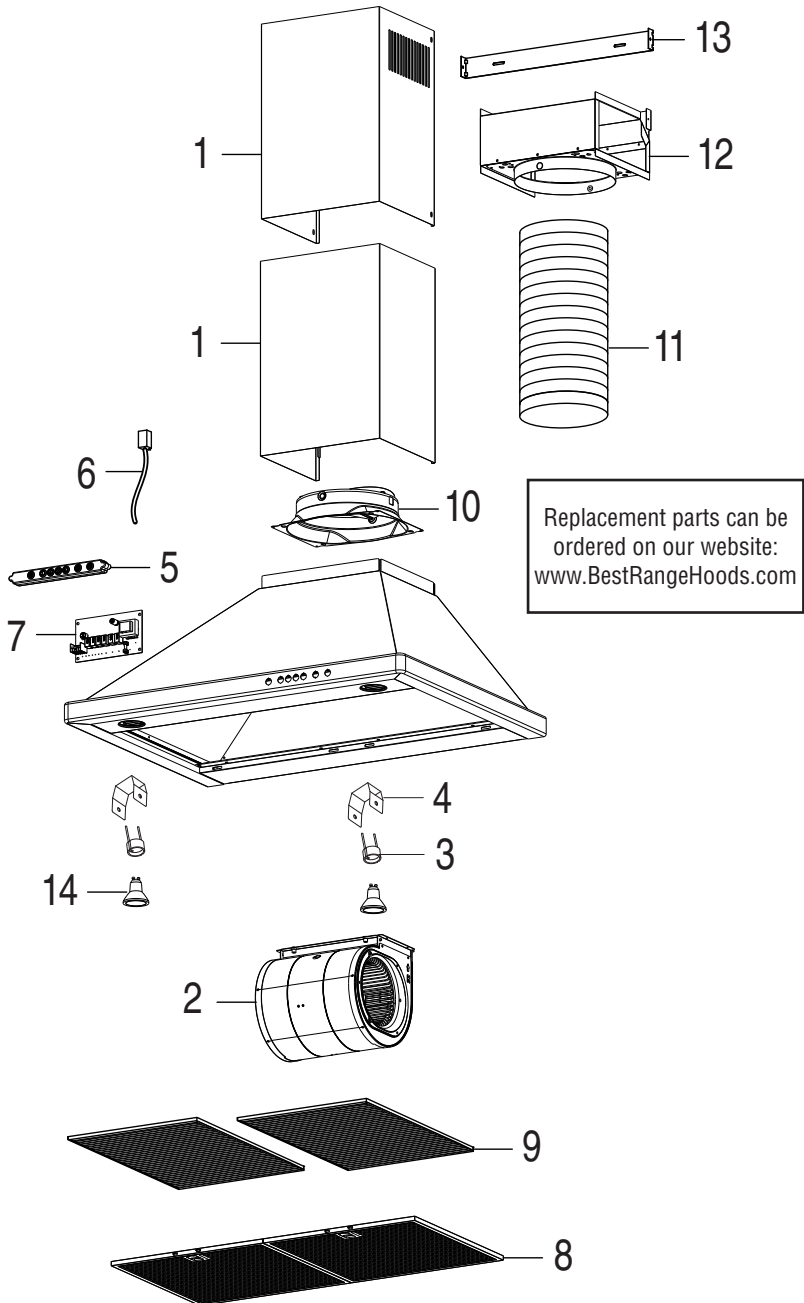
KEY	PART NO.	DESCRIPTION	QTY.
1	S99528405	Decorative Upper and Lower Flues	1
2	S99528407	Motor / Blower Assembly	1
3	S99528408	Light Socket (30" & 36" wide hoods) (includes mounting hardware)	2
		Light Socket (42" wide hood) (includes mounting hardware)	3
4	S99528409	Light Socket Bracket (30" & 36" wide hoods) (includes mounting hardware)	2
		Light Socket Bracket (42" wide hood) (includes mounting hardware)	3
5	S99528410	User Interface Assembly	1
6	S99528411	User Interface Cable	1
7	S99528412	Control Board	1
8	S99528414	Aluminum Grease Filter (30" wide hood)	2
	S99528415	Aluminum Grease Filter (36" & 42" wide hoods)	2
9	S97018968	Non-Duct Recirculation Filter (30" wide hood)	2
	S97019039	Non-Duct Recirculation Filter (36" & 42" wide hoods)	2
10	S99528418	8" Damper Assembly	1
11	S99528429	8" Dia. Expandable Flexible Aluminum Duct	1
12	S99528421	Non-Duct Plenum Assembly	1
13	S99528422	Upper Flue Mounting Bracket	1
14	V05921	50W MR16 GU10 Halogen Lamp (30" & 36" wide hoods)	2
		50W MR16 GU10 Halogen Lamp (42" wide hood)	3
*	S99528423	Capacitor	1
*	S99528425	Parts Bag	1

* Not shown.

Order service parts by Part No. - not by Key No.

SERVICE PARTS

30", 36" & 42" Wide Models



SERVICE PARTS

48" Wide Model

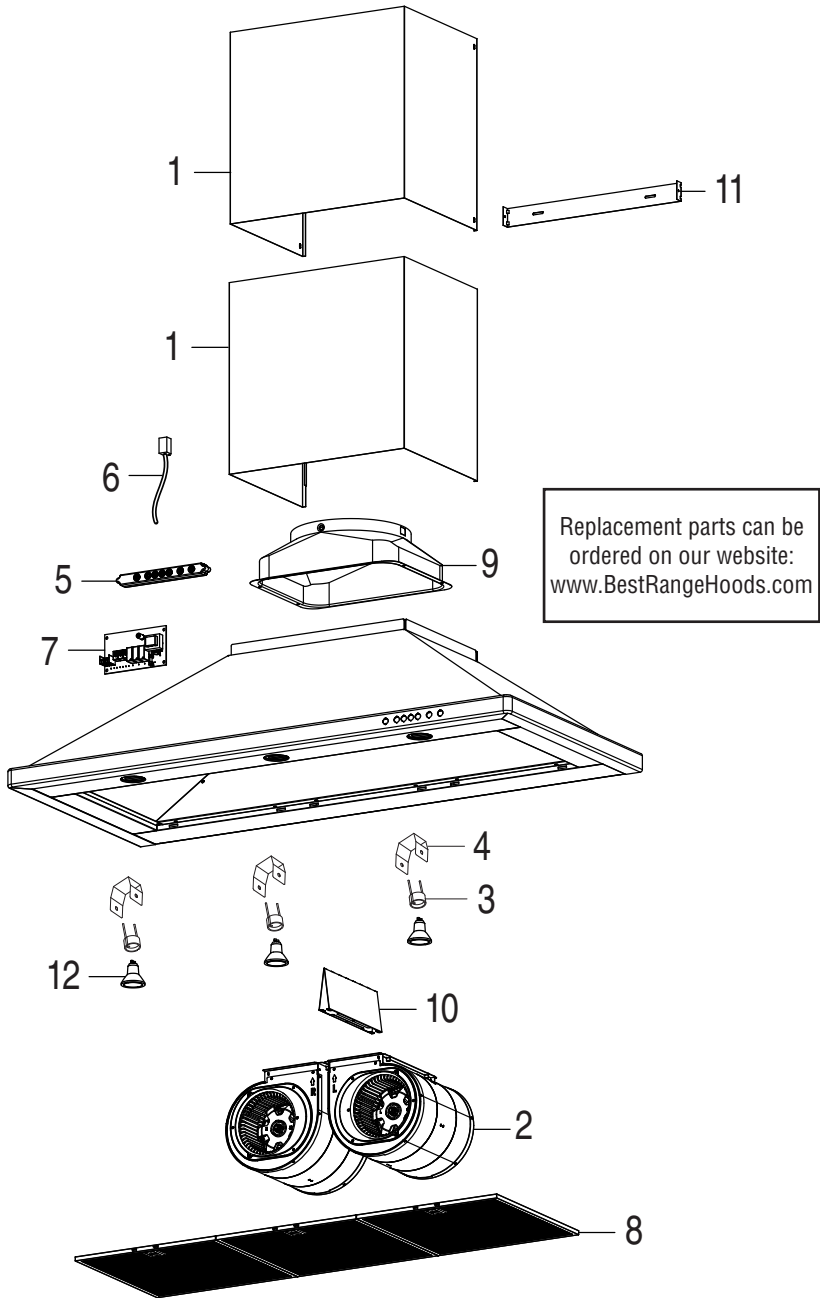
KEY	PART NO.	DESCRIPTION	QTY.
1	S99528406	Decorative Upper and Lower Flues	1
2	S99528407	Motor / Blower Assembly	2
3	S99528408	Light Socket (includes mounting hardware)	3
4	S99528409	Light Socket Bracket (includes mounting hardware)	3
5	S99528410	User Interface Assembly	1
6	S99528411	User Interface Cable	1
7	S99528413	Control Board	1
8	S99528414	Aluminum Grease Filter	3
9	S99528419	10" Damper Assembly	1
10	S99528420	Diverter	1
11	S99528438	Upper Flue Mounting Bracket	1
12	V05921	50W MR16 GU10 Halogen Lamp	3
*	S99528423	Capacitor	2
*	S99528430	Parts Bag	1

* Not shown.

Order service parts by Part No. - not by Key No.

SERVICE PARTS

48" Wide Model



WARRANTY

ONE YEAR LIMITED WARRANTY FOR BEST PRODUCTS

Broan-NuTone LLC (Broan-NuTone) warrants to the original consumer purchaser of Best products that such products will be free from defects in materials or workmanship for a period of one year from the date of original purchase. THERE ARE NO OTHER WARRANTIES, EXPRESS OR IMPLIED, INCLUDING, BUT NOT LIMITED TO, IMPLIED WARRANTIES OR MERCHANT ABILITY OR FITNESS FOR A PARTICULAR PURPOSE.

During this one-year period, Broan-NuTone will, at its option, repair or replace, without charge, any product or part which is found to be defective under normal use and service.

THIS WARRANTY DOES NOT EXTEND TO FLUORESCENT LAMP STARTERS, TUBES, HALOGEN AND INCANDESCENT BULBS, FUSE, FILTERS, DUCTS, ROOF CAPS, WALL CAPS AND OTHER ACCESSORIES FOR DUCTING. This warranty does not cover (a) normal maintenance and service or (b) any products or parts which have been subject to misuse, negligence, accident, improper maintenance or repair (other than by Broan-NuTone), faulty installation or installation contrary to recommended installation instructions.

The duration of any implied warranty is limited to the one-year period as specified for the express warranty. Some states do not allow limitation on how long an implied warranty lasts, so the above limitation may not apply to you.

BROAN-NUTONE'S OBLIGATION TO REPAIR OR REPLACE, AT BROAN-NUTONE'S OPTION, SHALL BE THE PURCHASER'S SOLE AND EXCLUSIVE REMEDY UNDER THIS WARRANTY. BROAN-NUTONE SHALL NOT BE LIABLE FOR INCIDENTAL, CONSEQUENTIAL OR SPECIAL DAMAGES ARISING OUT OF OR IN CONNECTION WITH PRODUCT USE OR PERFORMANCE. Some states do not allow the exclusion or limitation of incidental or consequential damages, so the above limitation or exclusion may not apply to you.

This warranty gives you specific legal rights, and you may also have other rights, which vary from state to state. This warranty supersedes all prior warranties.

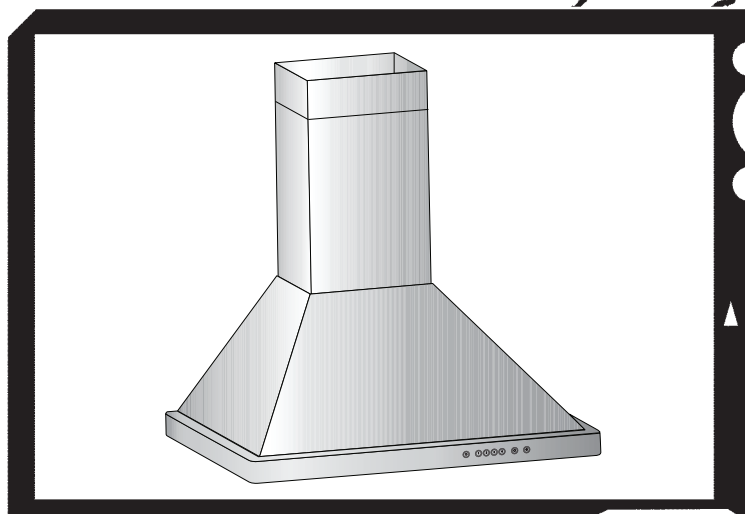
To qualify for warranty service, you must (a) notify Broan-NuTone at the address stated below or telephone number stated below, (b) give the model number and part identification and (c) describe the nature of any defect in the product or part. At the time of requesting warranty service, you must present evidence of the original purchase date.

In USA - BEST®, 926 W. State Street, Hartford, WI 53027 (800-558-1711)

In Canada - BEST®, 550 Lemire Blvd., Drummondville, QC J2C 7W9 (866-737-7770)

www.BestRangeHoods.com

best®



Série WTT321

Aux États-Unis - BEST® Hartford, Wisconsin

RENREGISTREZ VOTRE PRODUIT EN LIGNE À : www.BestRangeHoods.com/register
Pour de plus amples informations, visitez www.BestRangeHoods.com

LIRE CES DIRECTIVES ET LES CONSERVER

⚠ POUR USAGE DOMESTIQUE SEULEMENT ⚠

⚡ ⚠ AVERTISSEMENT

AFIN DE RÉDUIRE LES RISQUES D'INCENDIE, DE DÉCHARGES ÉLECTRIQUES OU DE BLESSURES CORPORELLES, VEUILLEZ OBSERVER LES DIRECTIVES SUIVANTES :

1. N'utilisez cet appareil que de la manière prévue par le fabricant. Si vous avez des questions, communiquez avec le fabricant à l'adresse ou au numéro de téléphone indiqués dans la garantie.
2. Avant de procéder à l'entretien ou au nettoyage de l'appareil, coupez l'alimentation du panneau électrique et verrouillez l'interrupteur principal afin d'empêcher que le courant ne soit accidentellement rétabli. S'il est impossible de verrouiller l'interrupteur principal, fixez solidement un message d'avertissement, par exemple une étiquette, sur le panneau électrique.
3. L'installation et les branchements électriques doivent être effectués par un personnel compétent, conformément aux normes et aux codes en vigueur, y compris les normes et les codes du bâtiment relatifs à la résistance au feu.
4. Pour éviter les refoulements, l'apport d'air doit être suffisant pour brûler les gaz produits par les appareils à combustion et les évacuer dans le conduit de fumée (cheminée). Respectez les directives du fabricant de l'appareil de chauffage et les normes de sécurité, notamment celles publiées par la National Fire Protection Association (NFPA), l'American Society for Heating, Refrigeration and Air Conditioning Engineers (ASHRAE) et les codes des autorités locales.
5. Ce produit peut comporter des arêtes tranchantes. Prenez garde aux coupures et aux éraflures lors de l'installation et du nettoyage.
6. Veillez à ne pas endommager le câblage électrique ou d'autres équipements non apparents lors de la découpe ou du perçage du mur ou du plafond.
7. Les ventilateurs canalisés doivent toujours rejeter l'air à l'extérieur.
8. Pour réduire les risques d'incendie, utilisez seulement des conduits en acier.
9. N'utilisez pas de commande de régime à semi-conducteurs avec cet appareil.
10. Ne faites pas fonctionner le ventilateur si le cordon électrique ou la fiche est endommagé. Jetez le ventilateur ou rapportez-le chez un réparateur agréé pour le faire examiner et/ou réparer.
11. **DIRECTIVES DE MISE À LA TERRE :** Cet appareil doit être mis à la terre. Dans l'éventualité d'un court-circuit, la mise à la terre réduit les risques de décharge électrique en permettant au courant de s'échapper dans un fil. Cet appareil comporte un cordon électrique muni d'un fil et d'une fiche de mise à la terre. Cette fiche doit être branchée dans une prise de courant correctement installée et mise à la terre. **AVERTISSEMENT :** Une mise à la terre incorrecte peut entraîner un risque de choc électrique. Consultez un électricien qualifié si vous ne comprenez pas complètement les directives de mise à la terre ou si vous n'êtes pas sûr que l'appareil comporte une mise à la terre adéquate. N'utilisez pas de rallonge électrique. Si le cordon électrique est trop court, demandez à un électricien qualifié d'installer une prise de courant près de l'appareil.

POUR RÉDUIRE LES RISQUES D'INCENDIE CAUSÉS PAR DE LA GRAISSE SUR LE PLAN DE CUISSON :

- a) Ne laissez jamais les éléments de surface allumés à haute température. Les débordements peuvent causer de la fumée et occasionner des écoulements de graisse inflammables. L'huile doit être chauffée graduellement à basse ou à moyenne température.
- b) Mettez toujours la hotte en MARCHE lors de la cuisson à feu vif ou lors de la cuisson d'aliments à flamber (crêpes Suzette, cerises jubilé, bœuf au poivre flambé).
- c) Nettoyez souvent la hotte. Ne laissez pas la graisse s'accumuler sur le ventilateur ou les filtres.
- d) Utilisez des casseroles de dimension appropriée. Utilisez toujours une batterie de cuisine adaptée à la dimension de la surface chauffante.

OBSERVEZ LES CONSIGNES SUIVANTES AFIN DE RÉDUIRE LES RISQUES DE BLESSURES CORPORELLES EN CAS D'INCENDIE CAUSÉ PAR DE LA GRAISSE SUR LE PLAN DE CUISSON :*

1. ÉTOUFFEZ LES FLAMMES à l'aide d'un couvercle étanche, d'une tôle à biscuits ou d'un plateau en métal puis éteignez le brûleur. FAITES ATTENTION DE NE PAS VOUS BRÛLER. SI LES FLAMMES NE S'ÉTEIGNENT PAS IMMÉDIATEMENT, QUITTEZ LES LIEUX ET APPELEZ LE SERVICE DES INCENDIES.
2. NE SOULEVEZ JAMAIS UNE CASSEROLE EN FLAMMES – vous pourriez vous brûler.
3. N'UTILISEZ PAS D'EAU, ni de linges ou de serviettes mouillés – une violente explosion de vapeur pourrait survenir.
4. Utilisez un extincteur SEULEMENT si :
 - A. Vous savez qu'il est de classe ABC et vous connaissez déjà son mode de fonctionnement.
 - B. L'incendie n'est pas très important et ne se propage pas.
 - C. Vous avez déjà téléphoné au service des incendies.
 - D. Vous pouvez combattre l'incendie en faisant dos à une sortie.

* Conseils tirés de la publication de la NFPA « Kitchen Fire Safety Tips ».

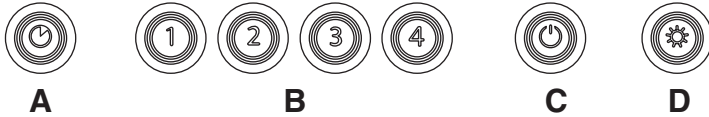
ATTENTION

1. Pour usage intérieur seulement.
2. Pour ventilation générale uniquement. N'utilisez pas cet appareil pour évacuer des matières ou des vapeurs dangereuses ou explosives.
3. Pour ne pas endommager les roulements du moteur, déséquilibrer les pales ou les rendre bruyantes, protégez l'appareil de la poussière de plâtre, de construction, etc.
4. Le moteur de la hotte est muni d'un dispositif de protection thermique qui coupe automatiquement le moteur en cas de surchauffe. Il se remet en marche lorsqu'il a refroidi. Faites réparer la hotte si le moteur continue à fonctionner par intermittence.
5. Pour mieux capter les vapeurs de cuisson, le bas de la hotte DOIT ÊTRE AU MINIMUM à 61 cm (24 po) et au maximum à 76,2 cm (30 po) au-dessus de la surface de cuisson.
6. Il est recommandé que les installateurs soient deux, compte tenu de la taille de cette hotte.
7. Pour réduire les risques d'incendie et évacuer l'air correctement, assurez-vous qu'il est canalisé à l'extérieur. Ne pas évacuer l'air dans des espaces enfermés par des murs ou un plafond ou dans un grenier, un vide sanitaire ou un garage.
8. Prenez garde en installant la cheminée décorative et la hotte, car elles peuvent comporter des bords tranchants.
9. Veuillez lire l'étiquette de spécifications du produit pour obtenir plus de renseignements, notamment sur les exigences.

FONCTIONNEMENT

Mettez toujours la hotte en marche avant de cuisiner afin d'établir une circulation d'air dans la cuisine. Laissez la hotte fonctionner quelques minutes après l'arrêt de la cuisinière afin de nettoyer l'air.

La hotte fonctionne à l'aide de boutons-poussoirs situés sur la face avant.



A. BOUTON DE MINUTERIE

Lorsqu'une vitesse de ventilateur est sélectionnée, appuyez sur ce bouton pour activer la fonction d'arrêt différé. Le bouton d'arrêt différé s'illuminera pour indiquer que cette fonction est activée. Le ventilateur continuera de fonctionner pendant cinq minutes puis s'arrêtera automatiquement. Pour annuler la fonction d'arrêt différé, appuyez de nouveau sur le bouton de minuterie.

B. BOUTONS MARCHÉ / ARRÊT DE SÉLECTION DE VITESSE

Appuyez sur le bouton correspondant à la vitesse de ventilateur voulue (1 pour lent à 4 pour rapide). Le bouton choisi s'illuminera. Pour arrêter le ventilateur, appuyez de nouveau sur le bouton correspondant à la vitesse du ventilateur; le bouton s'éteindra.

C. BOUTON MAÎTRE D'ARRÊT / D'ENTRETIEN DU FILTRE / DE DÉTECTEUR HEATSENTRY™ (BOUTON À TRIPLE FONCTION)

Pour arrêter le ventilateur et éteindre simultanément l'éclairage, appuyez une fois sur ce bouton. Après 25 heures d'utilisation, ce bouton s'illuminera pour indiquer que les filtres et la ou les roues à ailettes du ventilateur doivent être nettoyés pour maintenir l'efficacité de la hotte. Le bouton restera allumé jusqu'à la remise à zéro de cette fonction en appuyant sur le bouton pendant 3 secondes. Le voyant lumineux indique également la mise en fonction du détecteur de chaleur Heat Sentry.

DÉTECTEUR DE CHALEUR HEAT SENTRY : Lorsqu'une température trop élevée est détectée, la fonction Heat Sentry prend le contrôle du ventilateur et le règle à la vitesse 3. L'interrupteur à triple fonction se met à clignoter. Le ventilateur demeurera en marche jusqu'à ce que la chaleur soit revenue à la normale. Il reprendra alors la vitesse préalablement choisie.

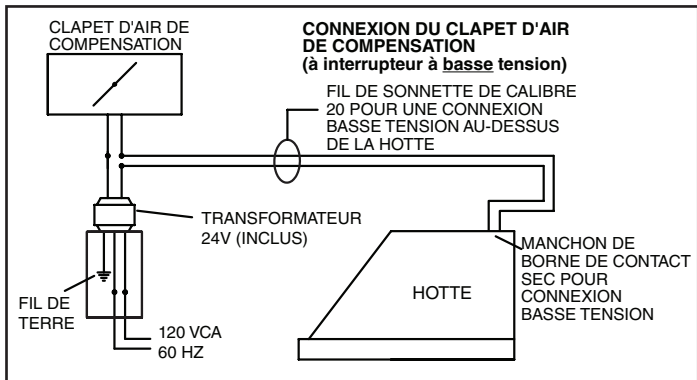
⚠ AVERTISSEMENT : Le détecteur Heat Sentry peut faire démarrer le ventilateur même si la hotte est arrêtée. Lorsque cela se produit, il est impossible d'arrêter le ventilateur en appuyant sur les boutons. Si vous devez arrêter le ventilateur, coupez le disjoncteur du panneau d'alimentation électrique.

D. INTERRUPTEUR D'ÉCLAIRAGE

Cet interrupteur offre trois niveaux d'éclairage selon vos besoins. Appuyez une fois pour la veilleuse de nuit, deux fois pour l'éclairage normal ou trois fois pour l'intensité maximale. Pour éteindre les lumières sans arrêter le ventilateur, appuyez une fois de plus.

CLAPET D'AIR DE COMPENSATION

La hotte est compatible avec le Clapet d'air de compensation Broan modèle MD6T ou modèle MD8T (en option). Vendu séparément.



Connectez le clapet d'air de compensation avec des fils de basse tension, tel qu'illustré. Pour de plus amples renseignements, consultez les directives du clapet d'air de compensation.

NETTOYAGE ET ENTRETIEN

Pour des raisons de santé, de performance et d'apparence, nettoyez régulièrement le filtre, le ventilateur et les surfaces grasses. Utilisez seulement un chiffon propre et une solution de détergent doux sur l'acier inoxydable et les surfaces peintes.

Nettoyez les filtres entièrement métalliques au lave-vaisselle avec un détergent sans phosphate. Une décoloration du filtre peut se produire si des détergents phosphatés sont utilisés et selon les conditions locales de l'eau, sans toutefois affecter le rendement du filtre. Cette décoloration n'est pas couverte par la garantie.

Nettoyez souvent les surfaces des filtres de recirculation avec un linge humide et un détergent doux. **NE PLONGEZ PAS** les filtres dans l'eau et ne les mettez pas au lave-vaisselle. Remplacez les filtres de recirculation sans conduit tous les six mois. Pour remplacer les filtres de recirculation - veuillez acheter les filtres S97018968 ou Modèle AFCWTT32 pour les hottes de 76,2 cm (30 po) de largeur, ou les filtres S97019039 ou Modèle AFCWTT326 pour les hottes de 91,4 cm (36 po) ou de 106,7 cm (42 po) de largeur.

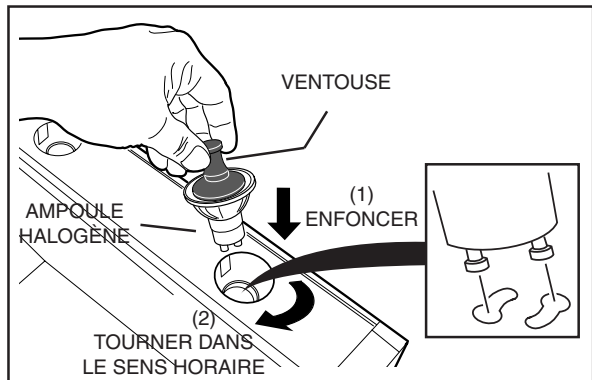
Le moteur est lubrifié en permanence et n'a pas besoin d'être huilé. Si les roulements du moteur sont anormalement bruyants, remplacez l'ensemble du ventilateur exactement par le même modèle.

AMPOULES

AVERTISSEMENT :

Les ampoules peuvent être très chaudes. Laissez toujours les ampoules refroidir avant de les enlever.

Utilisez deux (2) ampoules halogènes (fournies avec la hotte) (ampoules halogènes avec écran de 120 V, 50 W - MR16 à culot GU10. (3 ampoules pour les hottes de 106,7 cm (42 po) et 121,9 cm (48 po).)

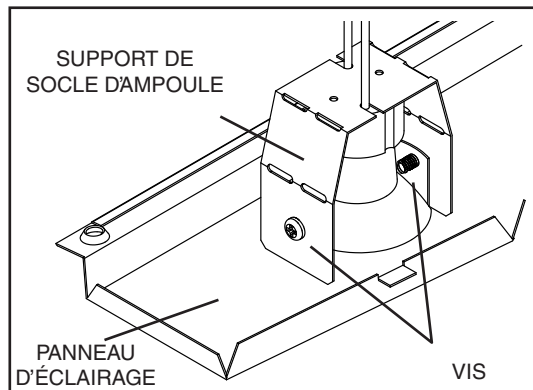


REMARQUE :

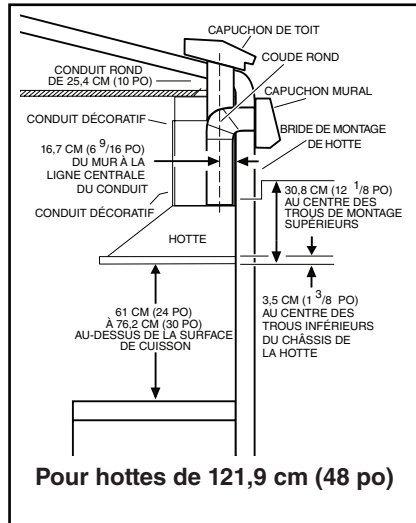
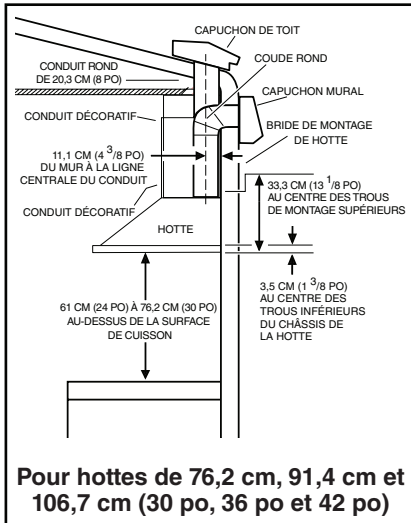
Vous pouvez utiliser la ventouse (fournie avec la hotte) pour installer ou enlever les ampoules. Alignez les bornes de l'ampoule sur la grande ouverture du socle, puis poussez l'ampoule vers la hotte et tournez-la dans le sens horaire jusqu'à ce qu'elle soit bien appuyée. La position du socle de l'ampoule (sa profondeur) est réglable et peut exiger un ajustement lorsque : a) certaines marques d'ampoule sont difficiles à installer. b) l'ampoule dépasse trop sous le panneau d'éclairage.

Pour changer la profondeur des socles d'ampoule :

- Enlevez les vis du panneau d'éclairage et mettez-les de côté.
- Enlevez le panneau d'éclairage.
- Desserrez les 2 vis retenant le support du socle d'ampoule au panneau d'éclairage.
- Réglez le support / socle à la profondeur voulue.
- Resserrez les vis fermement.
- Fixez à nouveau le panneau d'éclairage avec les vis que vous avez mises de côté.



MESURES DE L'INSTALLATION



La distance minimale de la hotte au-dessus de la surface de cuisson NE DOIT PAS ÊTRE INFÉRIEURE à 61 cm (24 po).

Un maximum de 76,2 cm (30 po) est également fortement recommandé pour mieux capter les vapeurs de cuisson.

Une distance de plus de 76,2 cm (30 po) est laissée à la discrétion de l'installateur et des utilisateurs si la hauteur du plafond le permet.

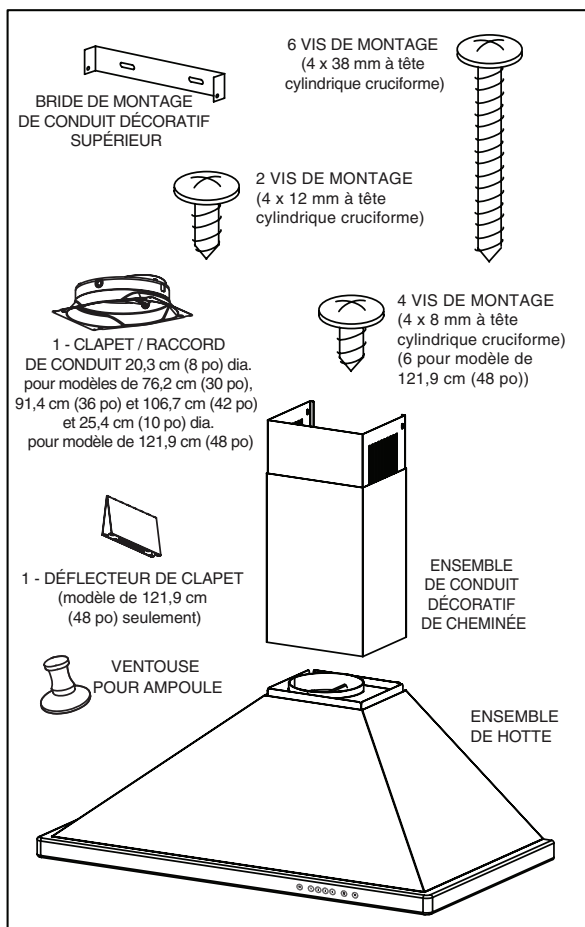
POSE DU CONDUIT (Hottes avec conduit seulement)

1. Planifiez la pose du conduit en déterminant son tracé entre la hotte et l'extérieur de la maison.
2. Un tracé droit et court permet à la hotte d'être plus efficace.
3. Des conduits longs, des coudes et des transitions réduisent l'efficacité de la hotte. N'en utilisez que le moins possible. Pour plus d'efficacité, des conduits plus gros peuvent être nécessaires si le parcours est trop long.
4. Installez le capuchon mural ou de toit. Connectez un conduit rond en métal au capuchon en progressant vers la hotte. Scellez les joints avec du ruban à conduit à chaque section.

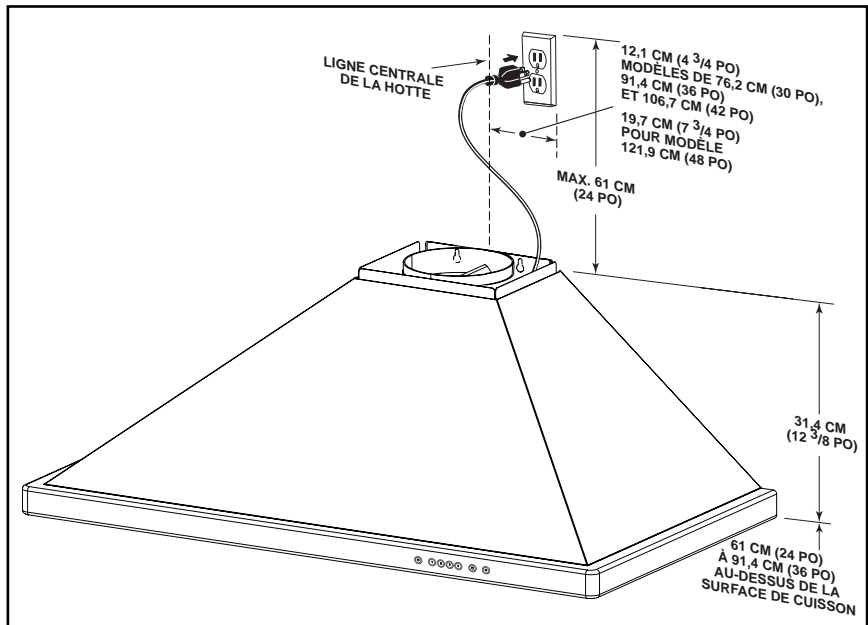
PRÉPARATION DE LA HOTTE

Déballez la hotte et vérifiez le contenu de la boîte. Celle-ci doit contenir les éléments suivants:

- 1 - Ensemble de hotte
- 1 - Ensemble de conduit décoratif (sections supérieure et inférieure)
- 1 - Bride de montage de conduit décoratif supérieur
- 2 - Filtres à graisses en aluminium (installés dans la hotte) (2 – pour modèles de 121,9 cm / 48 po)
- 2 - Ampoules halogènes de 50W MR16 GU10 (installées dans la hottes) (3 – pour modèles de 106,7 cm / 42 po et 121,9 cm / 48 po)
- 1 - Clapet / raccord de conduit de 20,3 cm (8 po) (8 po) (pour modèles de 76,2 cm / 30 po, 91,4 cm / 36 po, 106,7 cm / 42 po)
- 1 - Clapet / raccord de conduit de 25,4 cm (10 po) (pour modèle de 121,9 cm / 48 po)
- 1 - Déflecteur de clapet (pour modèle de 121,9 cm / 48 po)
- 1 - Sac de pièces contenant :
 - 6 - Vis de montage (4 mm x 38 mm à tête cylindrique cruciforme)
 - 4 - Vis de montage (4mm x 8 mm à tête cylindrique cruciforme) (6 vis pour le modèle de 121,9 cm / 48 po)
- 1 - Ventouse (pour la pose et l'enlèvement de l'ampoule)



INSTALLATION DU CÂBLAGE



INSTRUCTIONS DE MISE À LA TERRE

Cet appareil doit être correctement mis à la terre. Dans l'éventualité d'un court-circuit, la mise à la terre réduit les risques de décharge électrique en permettant au courant de s'échapper dans un fil. Cet appareil comporte un cordon électrique muni d'un fil et d'une fiche de mise à la terre. Cette fiche doit être branchée dans une prise de courant correctement installée et mise à la terre.

Placez la prise de courant dans l'espace recouvert par le conduit décoratif de cheminée et à un endroit où elle ne nuira pas au passage du conduit rond. Elle ne doit pas être à plus de 61 cm (24 po) du dessus de la hotte et ne pas empiéter sur la zone de fixation d'un support de montage et de l'endroit où le conduit décoratif touche au mur.

REMARQUE : Une prise de courant encastrée pour horloge peut être utilisée pour minimiser les problèmes d'encombrement de la fiche de la hotte.

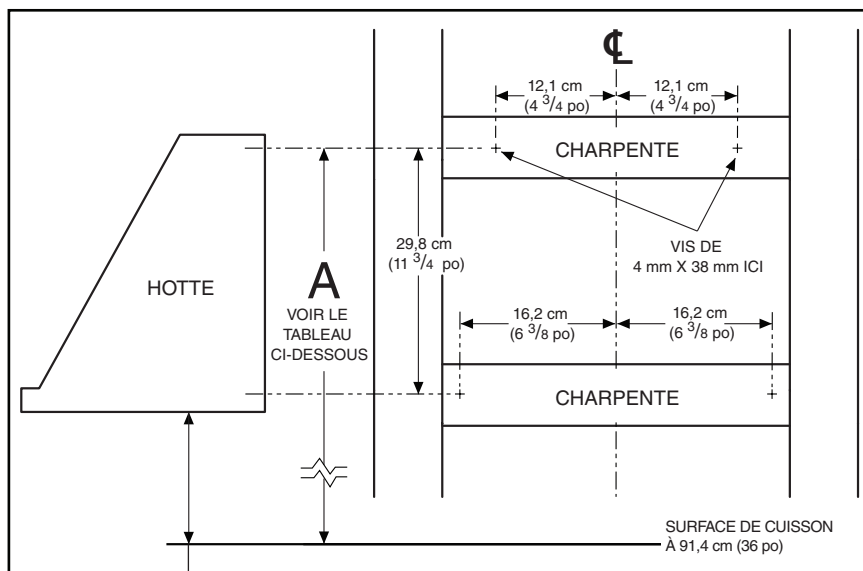
INSTALLATION DE LA BRIDE DE MONTAGE DE LA HOTTE

1. Construisez une charpente de bois qui affleure la surface intérieure des montants du mur. Centrez cette charpente avec l'emplacement d'installation.

REMARQUE : La distance de la hotte au-dessus de la surface de cuisson est : Au minimum 61 cm (24 po), au maximum 76,2 cm (30 po). Les plafonds de 274 cm (9 pi) et 305 cm (10 pi) peuvent nécessiter la rallonge de conduit décoratif, modèle AEWTT32SB pour les hottes de 76,2 cm (30 po), 91,4 cm (36 po) et 106,7 cm (42 po) de largeur, ou le modèle AEWTT328SB pour les hottes de 121,9 cm (48 po) de largeur, selon la hauteur de l'installation (vendu séparément). Voir le tableau ci-dessous pour de plus amples informations sur la hauteur de l'installation.

2. Une fois la surface du mur finie, fixez deux (2) vis de 4 mm x 38 mm aux endroits indiqués ci-dessous. **NE SERREZ PAS** les vis jusqu'au bout - laissez environ 6,3 mm (1/4 po) entre la tête de la vis et le mur.

Hottes de 76,2 cm (30 po), 91,4 cm (36 po) et 106,7 cm (42 po) de largeur



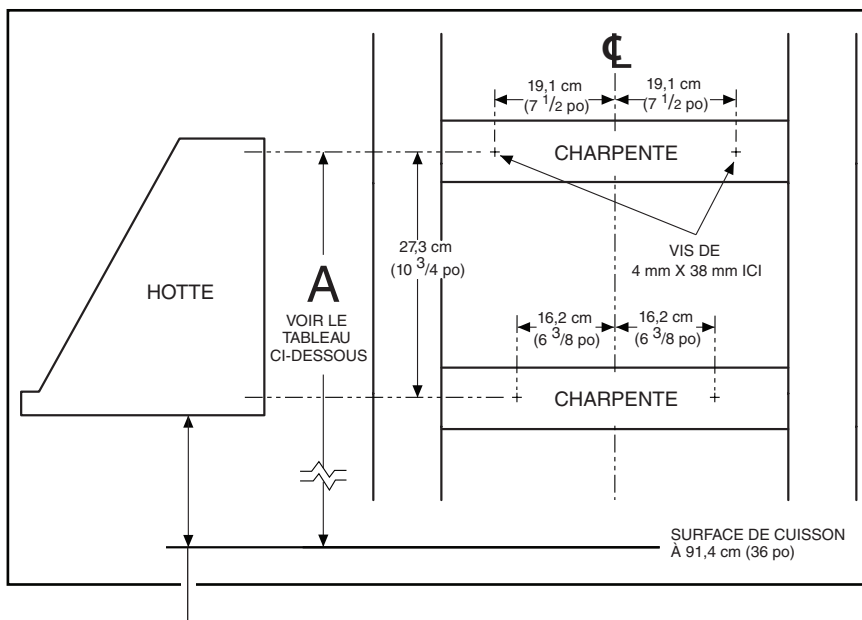
Distance requise pour la hotte au-dessus d'une surface de cuisson située à 91,4 cm (36 po)

	61 cm (24 po)	63,5 cm (25 po)	66 cm (26 po)	68,6 cm (27 po)	71,1 cm (28 po)	73,7 cm (29 po)	76,2 cm (30 po)
Hauteur du plafond	Position des vis de montage supérieures – distance au-dessus d'une surface de cuisson située à 91,4 cm (36 po) (Dimension « A »)						
244 cm (8 pi)	94,3 cm (37-1/8 po)	96,8 cm (38-1/8 po)	99,4 cm (39-1/8 po)	101,9 cm (40-1/8 po)	104,5 cm (41-1/8 po)	*107 cm (42-1/8 po)	*109,5 cm (43-1/8 po)
274 cm (9 pi)							109,5 cm (43-1/8 po)
274 cm (9 pi) avec AEWTT32SB	**94,3 cm (37-1/8 po)	**96,8 cm (38-1/8 po)	**99,4 cm (39-1/8 po)				
305 cm (10 pi) avec AEWTT32SB	94,3 cm (37-1/8 po)	96,8 cm (38-1/8 po)	99,4 cm (39-1/8 po)	101,9 cm (40-1/8 po)	104,5 cm (41-1/8 po)	107 cm (42-1/8 po)	109,5 cm (43-1/8 po)

* Les événements de recirculation sans conduits sont exposés lors d'une installation avec conduits.

** Pour les non-conduit d'installation, utilisez Cheminée supérieure et inférieure de AEWTT32SB fumées de la hotte standard.

Pour hottes de 121,9 cm (48 po) de largeur

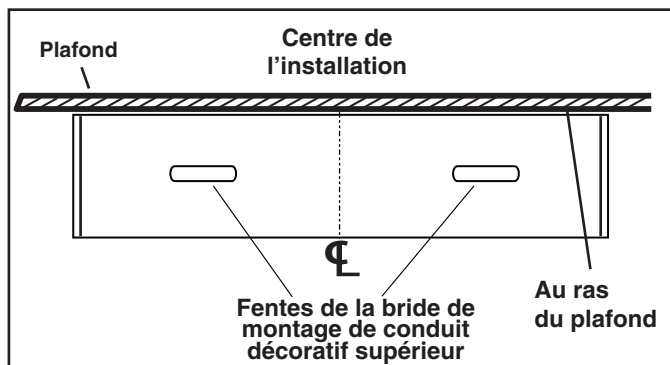


Distance requise pour la hotte au-dessus d'une surface de cuisson située à 91,4 cm (36 po)

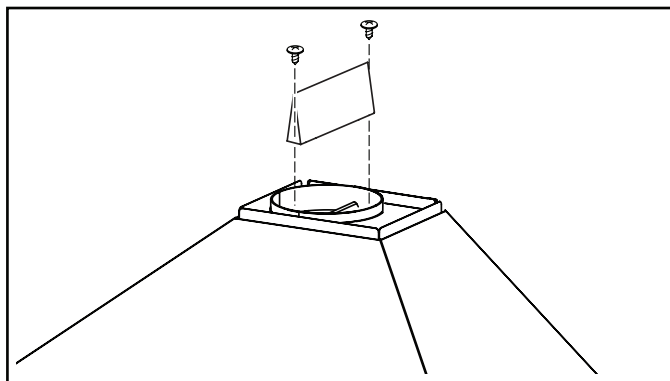
	61 cm (24 po)	63,5 cm (25 po)	66 cm (26 po)	68,6 cm (27 po)	71,1 cm (28 po)	73,7 cm (29 po)	76,2 cm (30 po)
Hauteur du plafond	Position des vis de montage supérieures – distance au-dessus d'une surface de cuisson située à 91,4 cm (36 po) (Dimension « A »)						
244 cm (8 pi)	91,8 cm (36-1/8 po)	94,3 cm (37-1/8 po)	96,8 cm (38-1/8 po)	99,4 cm (39-1/8 po)	101,9 cm (40-1/8 po)	104,5 cm (41-1/8 po)	107 cm (42-1/8 po)
274 cm (9 pi)					101,9 cm (40-1/8 po)	104,5 cm (41-1/8 po)	107 cm (42-1/8 po)
274 cm (9 pi) avec AEWTT32SB	91,8 cm (36-1/8 po)	94,3 cm (37-1/8 po)	96,8 cm (38-1/8 po)				
305 cm (10 pi) avec AEWTT32SB	91,8 cm (36-1/8 po)	94,3 cm (37-1/8 po)	96,8 cm (38-1/8 po)	99,4 cm (39-1/8 po)	101,9 cm (40-1/8 po)	104,5 cm (41-1/8 po)	107 cm (42-1/8 po)

INSTALLATION DE LA HOTTE

(Hottes avec conduit seulement)

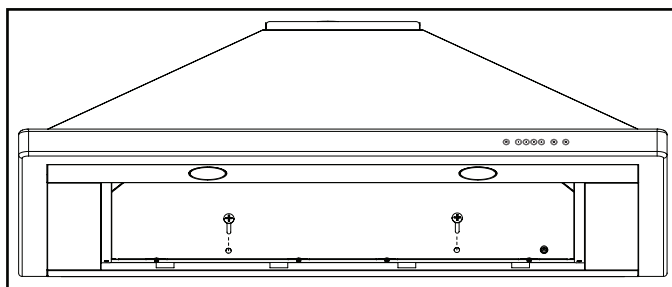
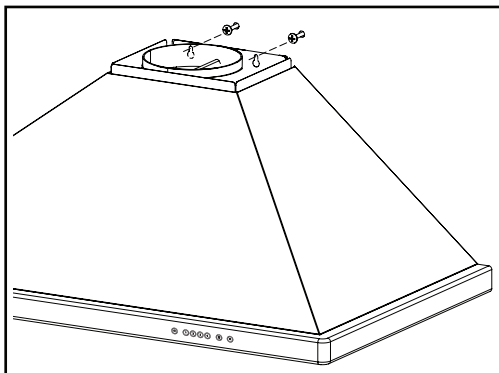


1. Centrez la bride au-dessus de l'emplacement de la hotte au ras avec le plafond. Fixez la bride supérieure au mur avec deux (2) vis de 4 mm x 38 mm. Remarque : Des chevilles d'ancrage pour cloison sèche peuvent être nécessaires (non incluses).
2. Serrez complètement les vis. Assurez-vous que la bride est fermement appuyée contre le mur et le plafond.
3. Enlevez la pellicule protectrice en plastique recouvrant la hotte et le conduit décoratif.
4. Enlevez les filtres à graisse en tirant vers le bas sur la languette métallique de retenue et en basculant les filtres vers le bas.
5. Retirer toutes les charges internes en mousse qui supporte l'unité de ventilation à l'intérieur de la hotte.

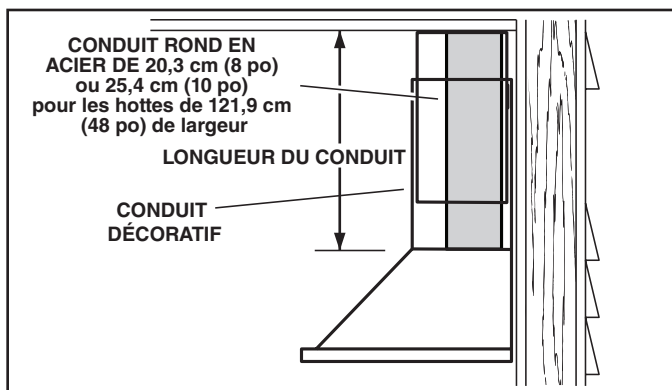


6. **Pour les hottes de 121,9 cm (48 po) seulement** : Fixez le clapet / déflecteur au sommet du boîtier de la hotte à l'aide de deux (2) vis de montage de 4 mm x 8 mm.
7. Fixez le clapet / raccord de conduit de 20,3 cm (de 8 po) de diamètre pour les hottes de 76,2 cm, 91,4 cm ou 106,7 cm (30 po, 36 po et 42 po) de largeur et de 25,4 cm (10 po) de diamètre pour les hottes de 121,9 cm (48 po) de largeur à l'aide de quatre (4) vis de montage de 4 mm x 8 mm.

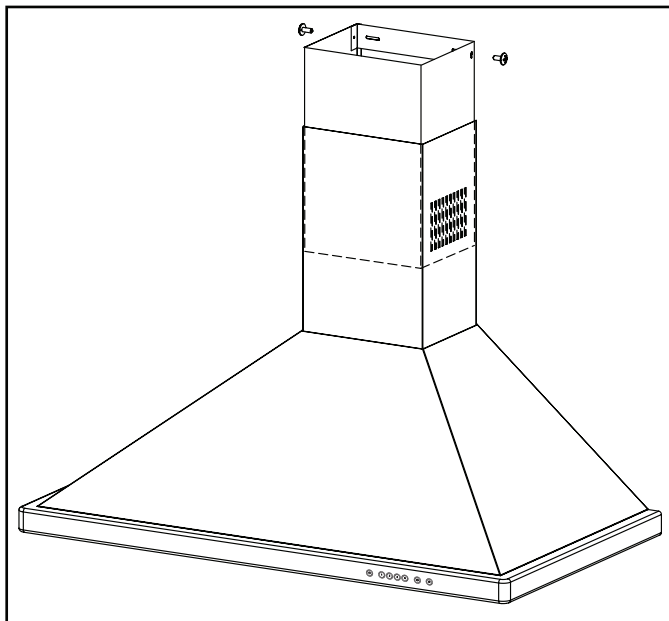
8. Alignez les deux fentes extérieures en forme de trou de serrure de la hotte sur les vis partiellement vissées dans la charpente du mur. Glissez la hotte sur les têtes de vis de sorte qu'elle soit complètement appuyée sur les vis de montage et qu'elle est bien de niveau. Ensuite, serrez complètement les vis.
9. Installez deux (2) vis de 4 mm x 38 mm dans les trous situés à l'intérieur de la hotte et serrez-les fermement.



10. Pour remettre les filtres à graisse, alignez les ergots arrière des filtres dans les fentes de la hotte. Tirez la languette métallique vers le bas, poussez les filtres en place et relâchez la languette. Vérifiez si les filtres sont bien fixés une fois replacés.



11. Mesurez et installez le conduit en acier entre le raccord de conduit et le connecteur du plafond ou du mur. Utilisez du ruban pour conduit afin de fixer solidement tous les joints et assurer leur étanchéité.
12. Branchez le cordon électrique dans la prise de courant.



13. Glissez soigneusement le conduit décoratif supérieur à l'intérieur du conduit décoratif inférieur.

REMARQUE

Pour les applications avec conduits, les événements du conduit décoratif supérieur doivent être masqués en les plaçant vers le bas, à l'intérieur du conduit décoratif inférieur.

14. Placez soigneusement l'ensemble de conduits décoratifs supérieur/inférieur dans l'encastrement de la hotte.
15. Glissez le conduit décoratif supérieur vers le haut jusqu'à ce qu'il soit aligné avec sa bride de montage. La bride doit être à l'intérieur du conduit décoratif. Fixez le conduit supérieur à la bride supérieure avec deux (2) vis de 4 mm x 12 mm.

REMARQUE

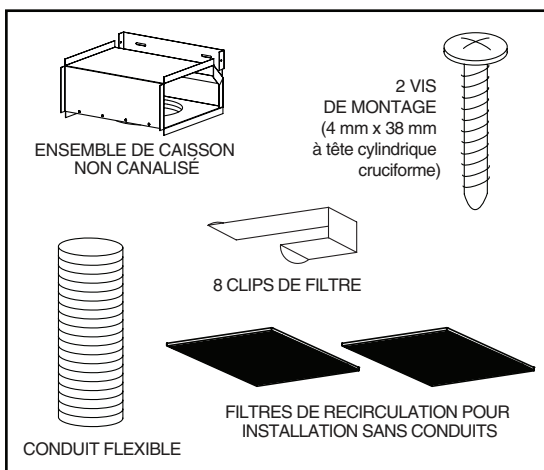
Les plafonds de 274 cm – 305 cm (9-10 pi) peuvent nécessiter la rallonge de conduit décoratif AEWTT32SB (pour les hottes de 76,2 cm (30 po, 91,4 cm (36 po) et 106,7 cm (42 po) de largeur) ou le modèle AEWTT328SB (pour les hottes de 121,9 cm (48 po) de largeur), selon la hauteur de l'installation (vendus séparément). Jetez les conduits décoratifs supérieur et inférieur fournis avec votre hotte et remplacez-les par la rallonge de conduit décoratif.

INSTALLATION DE LA HOTTE (Hottes sans conduits seulement)

CONTENU DES ENSEMBLES POUR HOTTE SANS CONDUITS MODÈLE ANKWTT320 OU ANKWTT326

REMARQUE

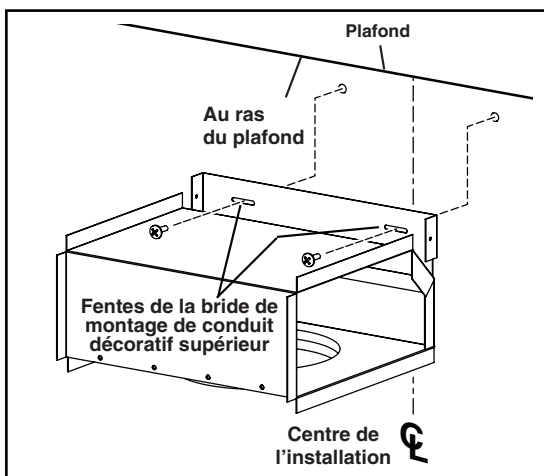
Les installations sans conduits exigent l'ensemble ANKWTT320 (pour hottes de 76,2 cm (30 po) de largeur) ou modèle ANKWTT326 (pour hottes de 91,4 cm (36 po) ou 106,7 cm (42 po) de largeur).



1. Centrez le caisson non canalisé au-dessus de l'emplacement de la hotte au ras avec le plafond. Fixez le caisson non canalisé au mur à l'aide de deux (2) vis de 4 mm x 38 mm. Remarque : Des chevilles d'ancrage pour cloison sèche peuvent être nécessaires (non incluses).

2. Serrez complètement les vis. Assurez-vous que le caisson est bien appuyé contre le mur et le plafond.

3. Enlevez les clapets de l'ensemble clapet / raccord de conduit et jetez-les.



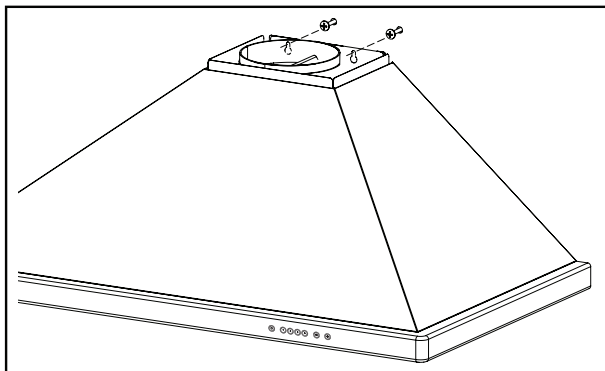
4. Enlevez la pellicule protectrice en plastique recouvrant la hotte et le conduit décoratif.

5. Fixez le raccord de conduit rond de 20,3 cm (de 8 po) sur le dessus du boîtier de la hotte à l'aide de quatre (4) vis de montage de 4 mm x 8 mm.

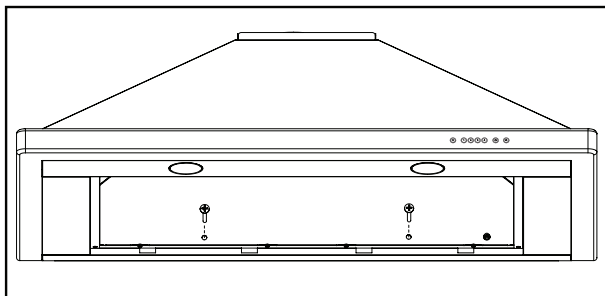
6. Enlevez les filtres à graisse en tirant vers le bas sur la languette métallique de retenue et en basculant les filtres vers le bas.

7. Retirer toutes les charges internes en mousse qui supporte l'unité de ventilation à l'intérieur de la hotte.

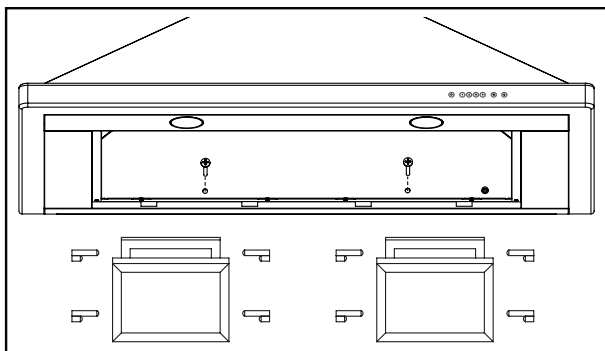
8. Alignez les deux fentes extérieures en forme de trou de serrure de la hotte sur les vis partiellement vissées dans la charpente du mur. Assurez-vous que la hotte est complètement appuyée sur les vis de montage et qu'elle est bien de niveau. Ensuite, serrez complètement les vis.



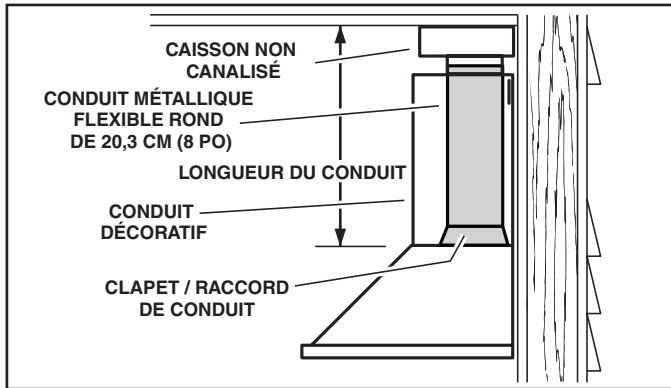
9. Installez deux (2) vis de 4 mm x 38 mm dans les trous à l'intérieur de la hotte et serrez-les fermement.



10. Fixez les filtres pour hotte sans conduits aux filtres à graisse à l'aide de huit (8) attaches.
11. Remplacez les filtres à graisse / filtres sans conduits en alignant les languettes à l'arrière des filtres dans les fentes de la hotte.



Tirez la languette métallique vers le bas, poussez les filtres en place et relâchez la languette. Vérifiez si les filtres sont bien fixés une fois remplacés.



12. Mesurez et installez une section de conduit métallique flexible (inclus avec ANKWTT320 ou ANKWTT326) entre le clapet / raccord de conduit et le bas du caisson non canalisé. Utilisez du ruban pour conduit afin de fixer solidement tous les joints et assurer leur étanchéité.

ATTENTION

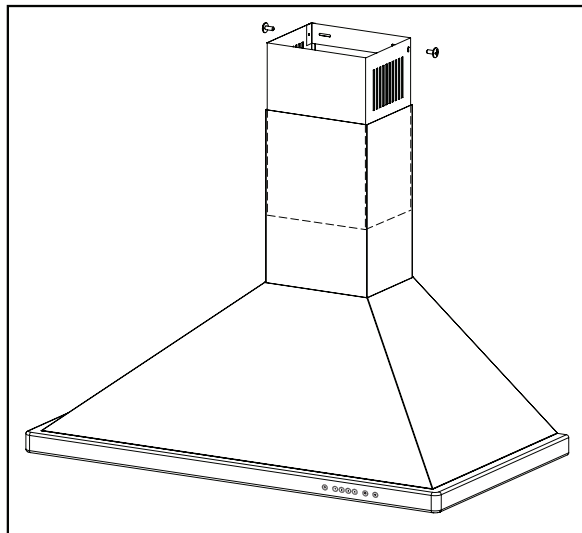
N'utilisez pas de conduits en plastique.

13. Branchez le cordon électrique dans la prise de courant.
14. Glissez soigneusement le conduit décoratif supérieur à l'intérieur du conduit décoratif inférieur.

REMARQUE

Pour les applications sans conduits, les événements du conduit décoratif supérieur doivent être orientés vers le plafond.

15. Placez soigneusement l'ensemble de conduit décoratif supérieur/inférieur dans l'encastrement de la hotte.
16. Glissez le conduit décoratif supérieur vers le haut jusqu'à ce qu'il soit aligné avec le caisson. Le caisson doit être à l'intérieur du conduit décoratif. Fixez le conduit décoratif supérieur sur le caisson non canalisé à l'aide de deux (2) vis de montage de 4 mm x 12 mm.



REMARQUE

Les plafonds de 274 cm – 305 cm (9-10 pi) peuvent nécessiter la rallonge de conduit décoratif AEWTT32SB selon la hauteur de l'installation (vendue séparément). Jetez les conduits décoratifs supérieur et inférieur fournis avec votre hotte et remplacez-les par la rallonge de conduit décoratif, modèle AEWTT32SB.

PIÈCES DE RECHANGE

Modèles de 76,2 cm (30 po), 91,4 cm (36 po) et 106,7 cm (42 po) de largeur

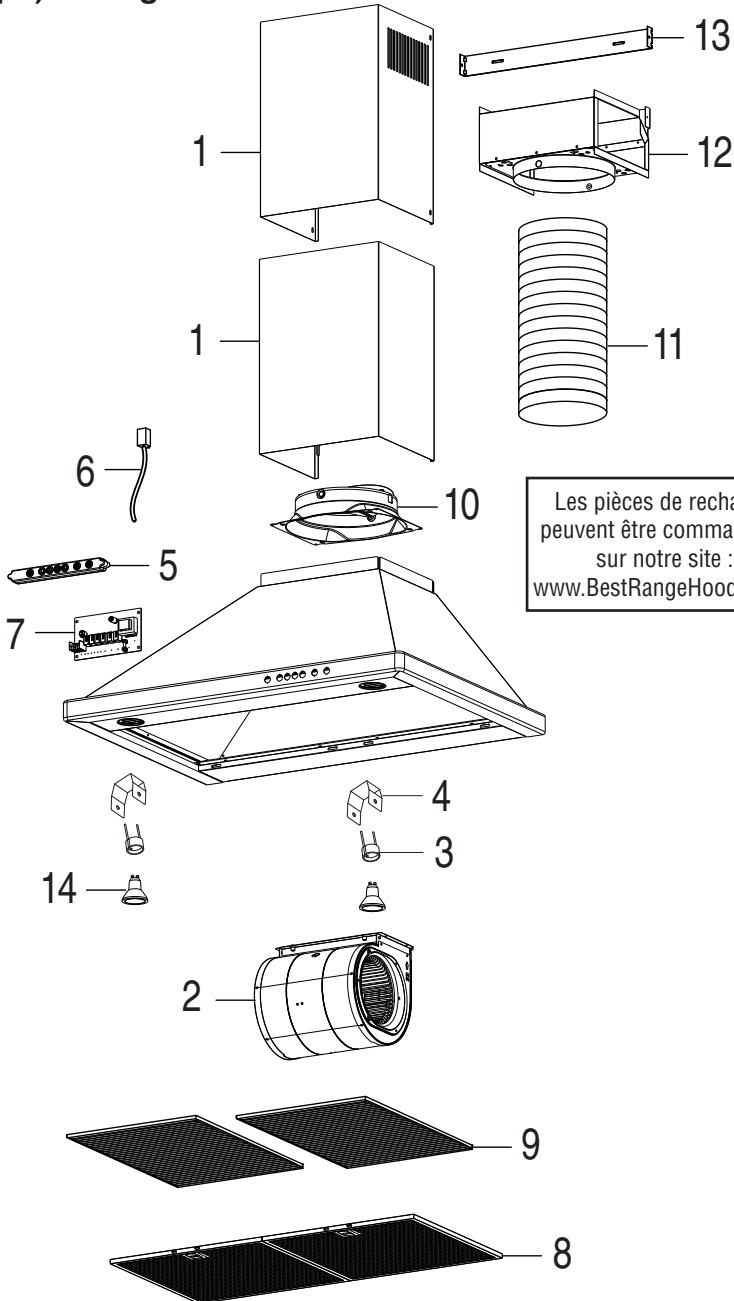
N° DE REPÈRE	N° DE PIÈCE	DESCRIPTION	QTÉ
1	S99528405	Conduits décoratifs supérieur et inférieur	1
2	S99528407	Ensemble moteur / ventilateur	1
3	S99528408	Socle d'ampoule (hottes de 76,2 cm (30 po), 91,4 cm (36 po) de largeur) (comprend la quincaillerie de montage)	
		Socle d'ampoule (hottes de 106,7 cm (42 po) de largeur) (comprend la quincaillerie de montage)	3
4	S99528409	Support de socle d'ampoule (hottes de 76,2 cm (30 po), 91,4 cm (36 po) de largeur) (comprend la quincaillerie de montage)	2
		Support de socle d'ampoule (hottes de 106,7 cm (42 po) de largeur) (comprend la quincaillerie de montage)	3
5	S99528410	Ensemble d'interface utilisateur	1
6	S99528411	Câble d'interface utilisateur	1
7	S99528412	Panneau de commande	1
8	S99528414	Filtre à graisses en aluminium (hotte de 76,2 cm (30 po) de largeur)	2
	S99528415	Filtre à graisses en aluminium (hottes de 91,4 cm (36 po) et 106,7 cm (42 po) de largeur)	2
9	S97018968	Filtre de recirculation pour installation sans conduits (hotte de 76,2 cm (30 po) de largeur)	2
	S97019039	Filtre de recirculation pour installation sans conduits (hottes de 91,4 cm (36 po) et 106,7 cm (42 po) de largeur)	2
10	S99528418	Ensemble de clapet / raccord de conduit de 20,3 cm (8 po)	1
11	S99528429	Conduit d'aluminium flexible extensible de 20,3 cm (8 po) de diamètre	1
12	S99528421	Ensemble de caisson non canalisé	1
13	S99528422	Bride de montage de conduit décoratif supérieur	1
14	V05921	Ampoule halogène de 50W MR16 GU10 (hottes de 76,2 cm (30 po), 91,4 cm (36 po) de largeur)	2
		Ampoule halogène de 50W MR16 GU10 (hottes de 106,7 cm (42 po) de largeur)	3
*	S99528423	Condensateur	1
*	S99528425	Sac de pièces	1

* Non illustré.

Veillez commander les pièces par n° de pièce - et non par n° de repère.

PIÈCES DE RECHANGE

Modèles de 76,2 cm (30 po), 91,4 cm (36 po) et 106,7 cm (42 po) de largeur



Les pièces de rechange
peuvent être commandées
sur notre site :
www.BestRangeHoods.com

PIÈCES DE RECHANGE

Modèle de 121,9 cm (48 po) de largeur

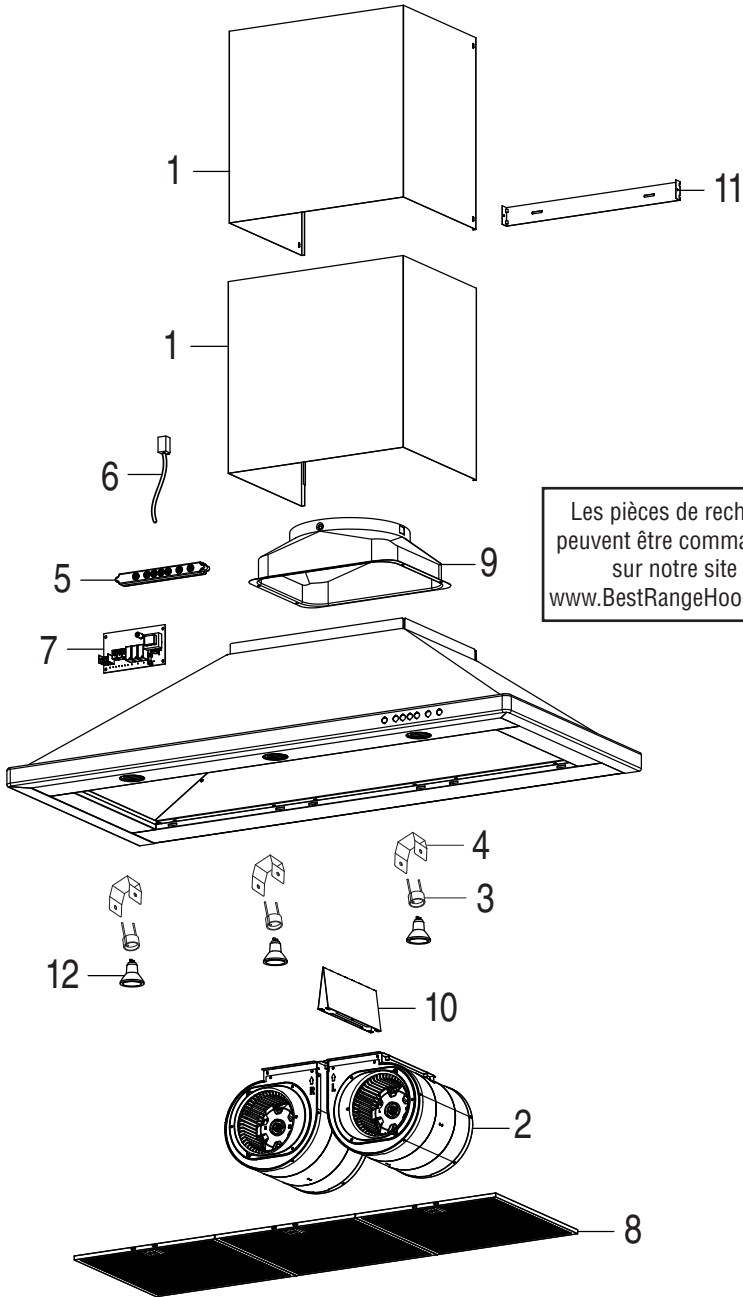
N° DE REPÈRE	N° DE PIÈCE	DESCRIPTION	QTÉ
1	S99528406	Conduits décoratifs supérieur et inférieur	1
2	S99528407	Ensemble moteur / ventilateur	2
3	S99528408	Socle d'ampoule (comprend la quincaillerie de montage)	3
4	S99528409	Support de socle d'ampoule (comprend la quincaillerie de montage)	3
5	S99528410	Ensemble d'interface utilisateur	1
6	S99528411	Câble d'interface utilisateur	1
7	S99528413	Panneau de commande	1
8	S99528414	Filtre à graisses en aluminium	3
9	S99528419	Ensemble de clapet de 25,4 cm (10 po)	1
10	S99528420	Défecteur	1
11	S99528438	Bride de montage de conduit décoratif supérieur	1
12	V05921	Ampoule halogène MR16 GU10 de 50 W	3
*	S99528424	Condensateur	1
*	S99528425	Sac de pièces	1

* Non illustré.

Veillez commander les pièces par n° de pièce - et non par n° de repère.

PIÈCES DE RECHANGE

Modèle de 121,9 cm (48 po) de largeur



Les pièces de rechange
peuvent être commandées
sur notre site :
www.BestRangeHoods.com

GARANTIE

GARANTIE LIMITÉE D'UN AN DES PRODUITS BEST

Broan-NuTone LLC (Broan-NuTone) garantit à l'acheteur original que les produits Best sont libres de tout vice de matériau ou de fabrication pour une période d'un an à compter de la date d'achat originale. CETTE GARANTIE NE COMPORTE AUCUNE AUTRE GARANTIE, EXPRESSE OU TACITE, Y COMPRIS, MAIS SANS S'Y LIMITER, LES GARANTIES TACITES DE VALEUR MARCHANDE OU D'ADAPTATION À UN USAGE PARTICULIER.

Durant cette période d'un an, Broan-NuTone réparera ou remplacera gratuitement, à sa discrétion, tout produit ou toute pièce jugés défectueux dans des conditions normales d'utilisation.

CETTE GARANTIE NE S'APPLIQUE PAS AUX TUBES FLUORESCENTS ET AUX DÉMARREURS, NI AUX AMPOULES HALOGENES OU INCANDESCENTES, FUSIBLES, FILTRES, CONDUITS, CAPUCHONS DE TOIT, CAPUCHONS MURAUX ET AUTRES ACCESSOIRES POUR CONDUITS. Cette garantie ne couvre pas (a) les frais d'entretien ou de service normaux ni (b) tout produit ou toute pièce soumis à un abus, une négligence, un accident, un entretien ou une réparation inadéquats (autres que ceux effectués par Broan-NuTone), une mauvaise installation ou une installation contraire aux instructions recommandées.

La durée de toute garantie tacite est limitée à la période d'un an stipulée pour la garantie expresse. Certains territoires ou provinces interdisant de limiter la durée d'une garantie tacite, la limitation ci-dessus peut ne pas s'appliquer à votre situation.

L'OBLIGATION POUR BROAN-NUTONE DE RÉPARER OU DE REMPLACER LE PRODUIT, À SA DISCRÉTION, CONSTITUE LE SEUL RECOURS DE L'ACHETEUR EN VERTU DE CETTE GARANTIE. BROAN-NUTONE NE PEUT ÊTRE TENUE RESPONSABLE DES DOMMAGES INDIRECTS OU CONSÉCUTIFS NI DES DOMMAGES-INTÉRÊTS PARTICULIERS DÉCOULANT DE L'UTILISATION OU DU RENDEMENT DU PRODUIT. Certains territoires ou provinces ne permettant pas la limitation ou l'exclusion des dommages indirects ou consécutifs, la limitation ci-dessus peut ne pas s'appliquer à votre situation.

La présente garantie vous confère des droits spécifiques reconnus par la loi. D'autres droits pourraient également vous être accordés selon la législation locale en vigueur. La présente garantie remplace toutes les autres garanties précédentes.

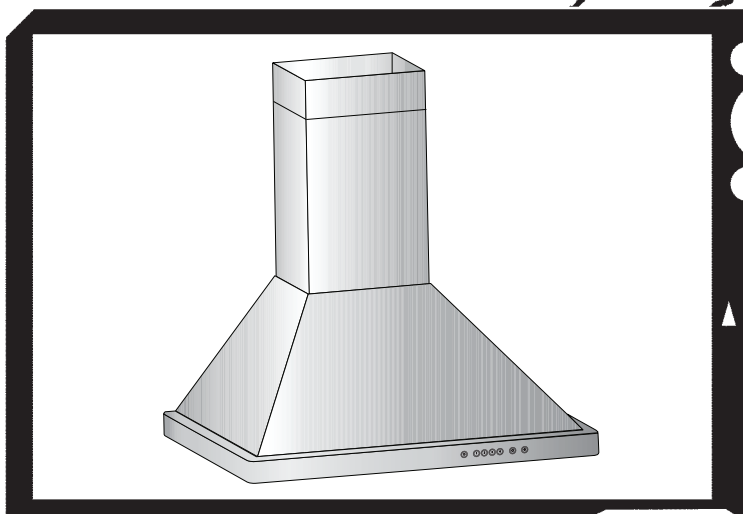
Pour vous prévaloir de cette garantie, vous devez (a) aviser Broan-NuTone à l'adresse ou au numéro de téléphone indiqués ci-dessous, (b) donner le numéro de modèle du produit et le numéro d'identification de la pièce et (c) décrire la nature de la défektivité du produit ou de la pièce. Lors de votre demande de garantie, vous devez présenter une preuve de la date d'achat originale.

Aux États-Unis - BEST®, 926 W. State Street, Hartford, WI 53027 (800-558-1711)

Au Canada - BEST®, 550 Lemire Blvd., Drummondville, QC J2C 7W9 (866-737-7770)

www.BestRangeHoods.com

best®



Serie WTT32I

En EE. UU. - BEST® Hartford, Wisconsin

REGISTRE SU PRODUCTO EN LÍNEA EN: www.BestRangeHoods.com/register
Si desea información adicional, visite www.BestRangeHoods.com

LEA Y CONSERVE ESTAS INSTRUCCIONES

⚠ INDICADO SOLAMENTE PARA COCINAR EN CASA ⚠

⚡ ⚠ ADVERTENCIA

PARA REDUCIR EL RIESGO DE INCENDIO, DESCARGA ELÉCTRICA O LESIONES PERSONALES, OBSERVE LO SIGUIENTE:

1. Use la unidad solo de la manera indicada por el fabricante. Si tiene preguntas, comuníquese con el fabricante a la dirección o al número telefónico que se incluye en la garantía.
2. Antes de dar servicio o limpiar la unidad, interrumpa el suministro eléctrico en el panel de servicio y bloquee los medios de desconexión del servicio para evitar que la electricidad sea reanudada accidentalmente. Cuando no sea posible bloquear los medios de desconexión del servicio, fije firmemente una señal de advertencia (como una etiqueta) en un lugar visible del panel de servicio.
3. Solo personal calificado debe realizar el trabajo de instalación y el cableado eléctrico, de acuerdo con todos los códigos y las normas correspondientes, incluidos los códigos y las normas de construcción específicos sobre protección contra incendios.
4. Es necesario suficiente aire para que se lleve a cabo una combustión y una extracción adecuadas de los gases a través del tubo de humos (chimenea) del equipo quemador de combustible, con el fin de evitar el contratiro. Siga las directrices y las normas de seguridad del fabricante del equipo de calefacción, como las publicadas por la Asociación Nacional de Protección contra Incendios (National Fire Protection Association, NFPA), la Sociedad Americana de Ingenieros en Calefacción, Refrigeración y Aire Acondicionado (American Society for Heating, Refrigeration and Air Conditioning Engineers, ASHRAE), y las autoridades de los códigos locales.
5. Este producto podría tener bordes afilados. Trabaje con cuidado para evitar cortes y abrasiones durante la instalación y la limpieza.
6. Al cortar o perforar a través de la pared o del cielo raso, tenga cuidado de no dañar el cableado eléctrico ni otros servicios ocultos.
7. Los ventiladores con conductos siempre deben ventearse hacia el exterior.
8. Para reducir el riesgo de incendio, use solamente conductos de acero.
9. No use esta unidad junto con ningún otro dispositivo de control de velocidad de estado sólido.
10. No haga a funcionar ningún ventilador con el enchufe o el cable dañado. Deseche el ventilador o regréselo a una instalación de servicio autorizada para que lo examinen o lo reparen.
11. **INSTRUCCIONES PARA LA PUESTA A TIERRA:** Este aparato debe estar conectado a tierra. En caso de un corto circuito eléctrico, la puesta a tierra reduce el riesgo de una descarga eléctrica al suministrar un cable de escape para la corriente eléctrica. El aparato está equipado con un cordón que tiene un cable con una clavija a tierra. La clavija debe conectarse a un tomacorriente que esté instalado y conectado a tierra adecuadamente. **ADVERTENCIA:** Una puesta inadecuada a tierra puede tener el riesgo de una descarga eléctrica. Consulte a un electricista calificado si no se entienden totalmente las instrucciones de puesta a tierra, o si tiene alguna duda en cuanto a la conexión a tierra apropiada del aparato. No utilice una extensión eléctrica. Si el cable de la fuente de alimentación es demasiado corto, solicite a un electricista calificado que instale una toma eléctrica cerca del aparato.

PARA REDUCIR EL RIESGO DE INCENDIO PROVOCADO POR GRASA PRESENTE EN LA ESTUFA:

- a) Nunca deje desatendidas las unidades de la superficie cuando estén en ajustes altos de calor. Los alimentos en ebullición provocan derrames grasosos y con humo que se pueden incendiar. Caliente el aceite lentamente en ajustes de calor bajo o medio.
- b) Siempre ENCIENDA la campana cuando esté cocinando a altas temperaturas o flameando alimentos (por ejemplo crepas Suzette, cerezas Jubilee, bistec con pimienta flameado).
- c) Limpie frecuentemente los ventiladores. No permita la acumulación de grasa en el ventilador ni en los filtros.
- d) Use una cacerola del tamaño adecuado. Siempre use utensilios de cocina que sean apropiados para el tamaño del elemento de la superficie.

PARA REDUCIR EL RIESGO DE LESIONES PERSONALES EN EL CASO DE QUE LA GRASA DE LA ESTUFA SE INCENDIE, SIGA LAS SIGUIENTES PRECAUCIONES*:

1. APAGUE LAS LLAMAS con una tapa de ajuste exacto, una charola para galletas o una bandeja de metal, y después apague el quemador. **PROCEDA CON CUIDADO PARA EVITAR QUEMADURAS. SI LAS LLAMAS NO SE APAGAN INMEDIATAMENTE, EVACÚE EL ÁREA Y LLAME AL DEPARTAMENTO DE BOMBEROS.**
2. **NUNCA LEVANTE UNA CACEROLA INCENDIADA**, se puede quemar.
3. **NO USE AGUA** ni toallas húmedas, ya que provocará una violenta explosión de vapor.
4. Use un extintor **SOLO** si:
 - A. El extintor es clase ABC y usted sabe cómo usarlo.
 - B. El incendio es pequeño y está confinado al área en la que se inició.
 - C. Se ha llamado al departamento de bomberos.
 - D. Puede combatir el incendio teniendo la espalda orientada hacia una salida.

* Basado en "Kitchen Fire Safety Tips" (Sugerencias para la seguridad contra incendios en la cocina) publicado por NFPA.

PRECAUCIÓN

1. Solo debe usarse bajo techo.
2. Solo para usarse como medio de ventilación general. No debe usarse para la extracción de materiales o vapores peligrosos o explosivos.
3. Para evitar daños a los cojinetes del motor y rotores ruidosos o desbalanceados, mantenga la unidad de potencia protegida contra rociados de yeso, polvos de construcción, etc.
4. Este motor de campana tiene una protección contra sobrecargas térmicas que automáticamente apagará el motor en caso de sobrecalentamiento. El motor reanudará su funcionamiento cuando se enfríe. Si el motor continúa apagándose y encendiéndose, solicite servicio para la campana.
5. La parte inferior de la campana **NO DEBE ESTAR A MENOS** de 24 pulg. (61 cm) y debe estar a un máximo de 30 pulg. (76.2 cm) por arriba de la estufa, para captar mejor las impurezas que surgen al cocinar.
6. Se recomienda que dos personas hagan la instalación debido al gran tamaño de esta campana.
7. Para reducir el riesgo de incendio y para descargar adecuadamente el aire, asegúrese de dirigir el aire hacia el exterior. No descargue el aire en espacios contenidos entre paredes o cielos rasos, ni en áticos, sótanos bajos ni en la cochera.
8. Tenga cuidado al instalar el tubo de humos decorativo y la campana; pueden tener bordes afilados.
9. Lea la etiqueta de especificaciones del producto para ver información y requisitos adicionales.

FUNCIONAMIENTO

Encienda siempre la campana antes de comenzar a cocinar para establecer un flujo de aire en la cocina. Deje el ventilador funcionando unos cuantos minutos para despejar el aire después de apagar la estufa.

La campana se hace funcionar con los botones en el panel frontal.



A



B



C



D

A. INTERRUPTOR DE RETARDO

Cuando seleccione una velocidad del ventilador, presione este interruptor para activar la función de retardo. El botón de retardo destellará a fin de verificar que se ha activado esta función. El ventilador seguirá funcionando durante 5 minutos y se detendrá de forma automática. Para cancelar la función de retardo, presione de nuevo el interruptor de retardo.

B. INTERRUPTORES DE SELECCIÓN DE INICIO / APAGADO / VELOCIDAD

Presione el interruptor correspondiente a la velocidad deseada del ventilador (del 1 para velocidad baja al 4 para velocidad alta). Se encenderá el interruptor seleccionado. Presione otra vez el interruptor de velocidad correspondiente para apagar el ventilador; la luz del interruptor se apagará.

C. MAESTRO DE APAGADO / MANTENIMIENTO DEL FILTRO / HEAT SENTRY™ (INTERRUPTOR DE TRIPLE FUNCIÓN)

Presione este interruptor una vez para apagar el ventilador y la lámpara al mismo tiempo. Después de transcurridas 25 horas de funcionamiento este interruptor se encenderá para indicar que los filtros y las ruedas del ventilador necesitan limpieza para mantener el funcionamiento eficiente de la unidad. La luz del interruptor permanecerá encendida hasta que la función se vuelva a restablecer presionando este interruptor durante tres segundos. El indicador de la lámpara se usa también para la función Heat Sentry.

SISTEMA HEAT SENTRY: Cuando se detecta una temperatura excesivamente elevada, el sistema Heat Sentry asume el control del ventilador y lo configura a la velocidad 3. El interruptor de triple función destellará. El ventilador permanecerá encendido hasta que la condición de calentamiento vuelva a lo normal y luego regresará a la velocidad seleccionada anteriormente.

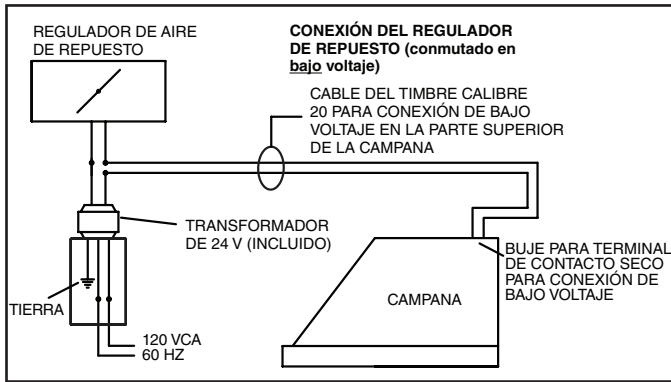
⚠️ ADVERTENCIA: El sistema Heat Sentry puede activar el ventilador aunque la campana esté apagada. Cuando esta situación ocurre, es imposible apagar el ventilador mediante los botones. Si debe apagar el ventilador, hágalo desde el panel eléctrico principal.

D. INTERRUPTOR DE LA LÁMPARA

Este interruptor permite tener tres diferentes niveles de iluminación según sus necesidades. Presione una vez para lámpara de noche, dos para iluminación normal o tres veces para toda la intensidad. Para apagar las luces sin apagar el ventilador, presione el interruptor una vez más.

REGULADOR DE AIRE DE REPUESTO

La campana es compatible con el regulador de aire de repuesto Broan, Modelo MD6T o Modelo MD8T (opcional). Se compra por separado.



Realice la conexión del regulador de aire de repuesto con cableado de bajo voltaje, como se ilustra. Consulte información adicional en las instrucciones del regulador de aire de repuesto.

LIMPIEZA Y MANTENIMIENTO

Por motivos de desempeño, apariencia y salud, limpie periódicamente el filtro, el ventilador y las superficies que tengan grasa. Utilice únicamente un trapo limpio y una solución de detergente suave en superficies de acero inoxidable y pintadas.

Limpie los filtros completamente metálicos en el lavaplatos con un detergente sin fosfatos. El filtro se puede decolorar si se utilizan detergentes con fosfatos o como resultado de la condición del agua local, pero esto no afectará el desempeño del filtro. Esta decoloración no está cubierta por la garantía.

Limpie frecuentemente las superficies del filtro de recirculación sin conducto con un paño húmedo y un detergente suave. NO sumerja los filtros en agua ni los coloque en el lavaplatos. Cambie los filtros de recirculación cada 6 meses. Para reemplazar los filtros de recirculación para sistemas sin conductos, compre el S97018968 o el modelo AFCWTT32 (para la campana de 30 pulg. [76.2 cm] de ancho) o el modelo AFCWTT326 (para las campanas de 36 y 42 pulg. [91.4 y 106.7 cm] de ancho).

El motor está permanentemente lubricado y nunca necesitará ponerle aceite. Si los cojinetes del motor hacen un ruido excesivo o inusual, reemplace el conjunto del ventilador con el repuesto de servicio exacto.

BOMBILLAS

ADVERTENCIA:

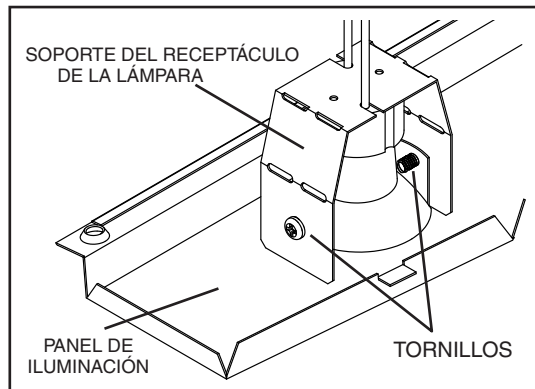
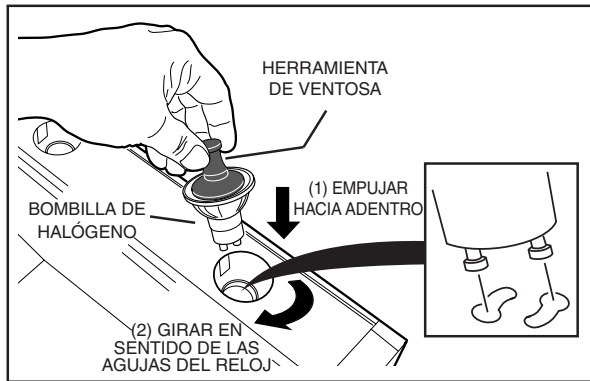
Las bombillas podrían estar calientes. Siempre permita que se enfríen antes de cambiarlas.

Esta campana requiere dos (2) bombillas de halógeno (incluidas con la campana), bombillas de halógeno blindadas de 120 V, 50 W, tipo MR16 con base GU10. (3 bombillas para las campanas de 42 y 48 pulg. (106.7 y 121.9 cm).

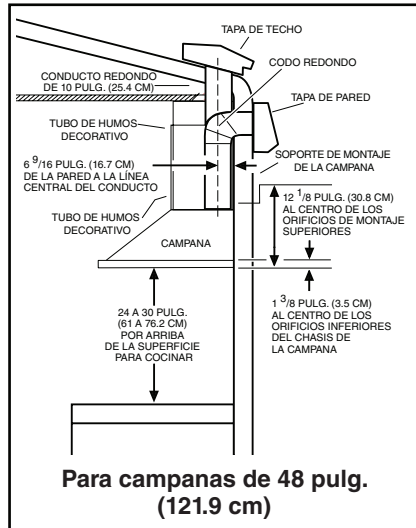
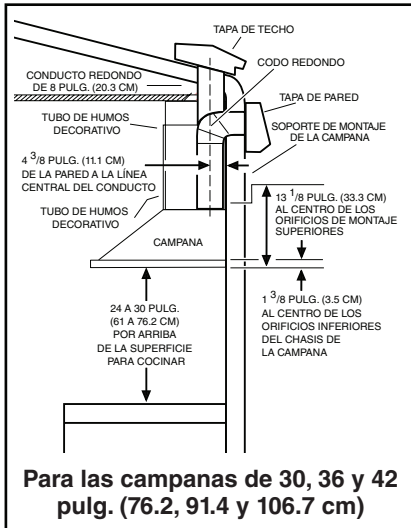
NOTA: La herramienta de ventosa (incluida con la campana) sirve para instalar y quitar bombillas. Alinee las clavijas de la bombilla con la abertura de diámetro grande en el receptáculo, empuje la bombilla hacia la campana y luego gire hacia la derecha hasta que esté firmemente asentada. La posición del receptáculo de la bombilla (profundidad) es ajustable, y podría necesitar ajuste en el caso de: a) ciertas marcas de bombillas que son difíciles de instalar. b) que la bombilla sobresalga demasiado debajo del panel de luces.

Para cambiar la profundidad de los receptáculos de las bombillas:

- Quite los tornillos en el panel de luces, déjelos a un lado.
- Retire el panel de iluminación.
- Afloje 2 tornillos que sostienen el soporte del receptáculo de la lámpara al panel de iluminación.
- Ajuste el receptáculo/soporte a la profundidad deseada.
- Vuelva a apretar los tornillos con firmeza.
- Vuelva a fijar el panel de iluminación con los tornillos que dejó a un lado anteriormente.



MIDA LA INSTALACIÓN



La distancia mínima de la campana sobre la superficie de la estufa NO DEBE SER MENOR de 24 pulg. (61 cm).

Se recomienda enfáticamente una distancia máxima de 30 pulg. (76.2 cm) sobre la superficie de la estufa para capturar mejor las impurezas resultantes del cocinado.

Utilizar distancias superiores a las 30 pulg. (76.2 cm) queda a discreción del usuario y del instalador, siempre y cuando lo permita la altura hasta el cielo raso.

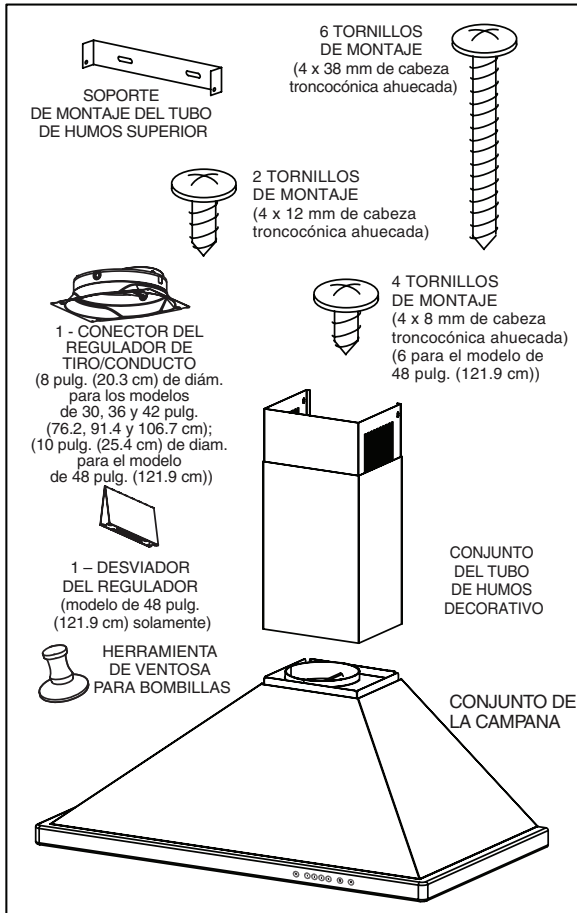
INSTALACIÓN DEL SISTEMA DE CONDUCTOS (Solo campanas para sistemas con conductos)

1. Decida dónde instalará el conducto entre la campana y el exterior.
2. Un conducto recto y corto permitirá que la campana funcione más eficientemente.
3. Los tramos largos de conductos, codos y transiciones reducirán el desempeño de la campana. Use tan pocos de ellos como sea posible. Es posible que se requieran conductos más grandes para un mejor funcionamiento con tramos más largos de conductos.
4. Instale la tapa para pared o para techo. Conecte un conducto metálico redondo en la tapa y trabaje hacia atrás, hacia la ubicación de la campana. Use cinta para conductos para sellar las uniones entre las secciones de conductos.

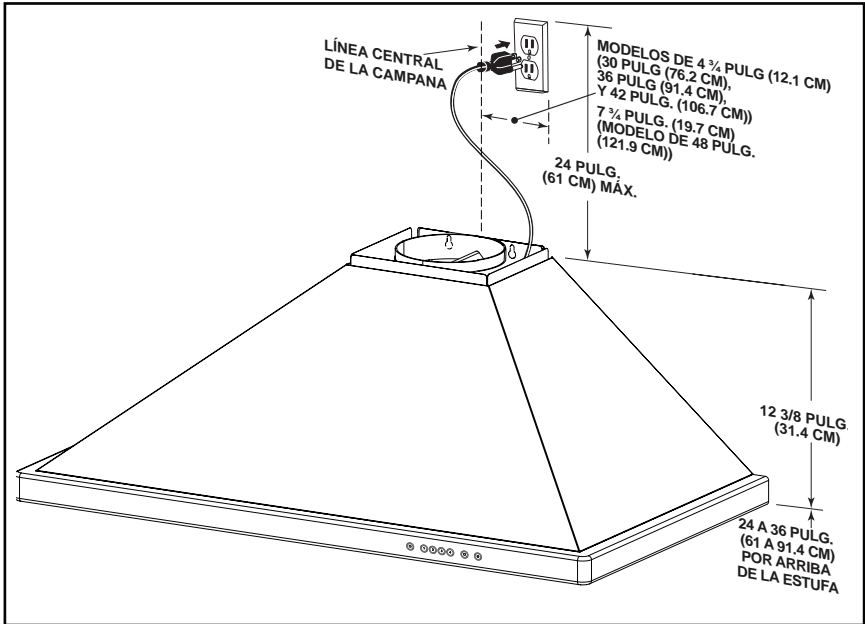
PREPARE LA CAMPANA

Desempaque la campana y revise el contenido del paquete. Debe contener lo siguiente:

- 1 - Conjunto de campana
- 1 - Conjunto de tubo de humos decorativo (contiene el tubo de humos superior e inferior)
- 1 - Soporte de montaje del tubo de humos superior
- 2 - Filtros de aluminio para grasa (instalados en la campana) (3 en el modelo de 48 pulg. [121.9 cm])
- 2 - Lámparas de halógeno MR16 GU10 de 50 W (instaladas en la campana) (3 en los modelos de 42 y 48 pulg. (106.7 y 121.9 cm))
- 1 - Conector del regulador de tiro/conducto de 8 pulg. (20.3 cm) para los modelos de 30, 36 y 42 pulg. (76.2, 91.4 y 106.7 cm)
- 1 - Conector del regulador de tiro/conducto de 10 pulg. (25.4 cm) para el modelo de 48 pulg. (121.9 cm)
- 1 - Desviador del regulador (para el modelo de 48 pulg. (121.9 cm))
- 1 - Bolsa de piezas con:
 - 6 - Tornillos de montaje (4 x 38 mm de cabeza troncocónica ahuecada)
 - 4 - Tornillos de montaje (4 x 8 mm de cabeza troncocónica ahuecada) (6 para el modelo de 48 pulg. [121.9 cm])
 - 1 - Herramienta de ventosa (para instalar o quitar bombillas)



INSTALE EL CABLEADO



INSTRUCCIONES PARA LA PUESTA A TIERRA

Este aparato debe estar conectado a tierra. En caso de un corto circuito eléctrico, la puesta a tierra reduce el riesgo de una descarga eléctrica al suministrar un cable de escape para la corriente eléctrica. Este aparato está equipado con un cordón que tiene un cable con una clavija a tierra. La clavija debe conectarse a un tomacorriente que esté instalado y conectado a tierra adecuadamente.

Coloque el tomacorriente eléctrico dentro del espacio cubierto por el tubo de humos decorativo y donde no interfiera con el conducto redondo. Asegúrese de que el tomacorriente no esté a más de 24 pulg. (61 cm) de la parte superior del chasis de la campana y que el tomacorriente no interfiera con un área de sujeción del soporte de montaje o donde el tubo de humos toque la pared.

NOTA: Se puede utilizar un tomacorriente de "reloj" ahuecado a fin de reducir cualquier problema de espacio relacionado con el enchufe de la campana.

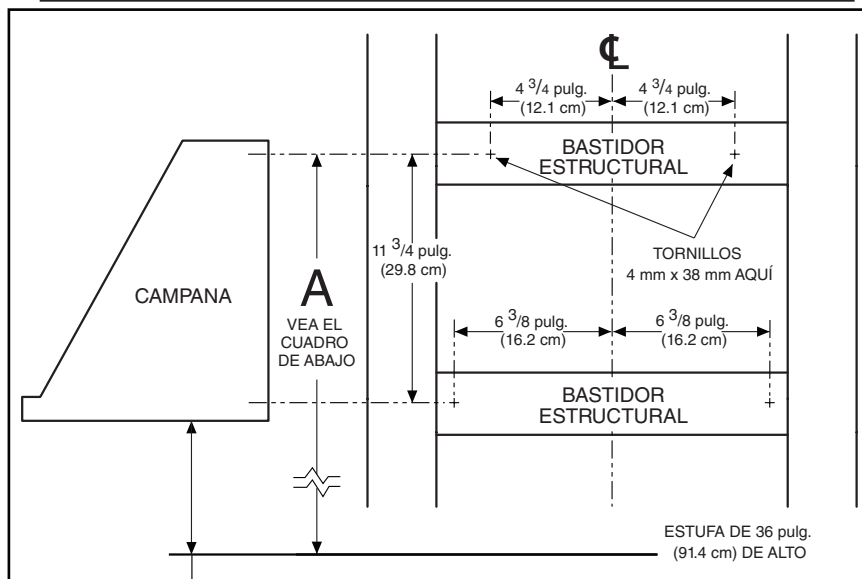
INSTALE EL SOPORTE DE MONTAJE DE LA CAMPANA

1. Construya un bastidor estructural en la pared que quede al ras de la superficie interior de los montantes de la pared. Asegúrese de que el bastidor esté centrado en el lugar de la instalación.

NOTA: La distancia de la campana arriba de la estufa es: Mínima de 24 pulg. (61 cm), máxima de 30 pulg. (76.2 cm). Los cielos rasos de 9 y 10 pies (274 y 305 cm) podrían requerir una extensión para el tubo de humos modelo AEWTT32SB para las campanas de 30, 36 y 42 pulg. (76.2, 91.4 y 106.7 cm) de ancho o el modelo AEWTT328SB para las campanas de 48 pulg. (121.9 cm) de ancho, dependiendo de la altura de la instalación (se compran por separado). Consulte las tablas a continuación para obtener información adicional sobre la altura de instalación.

2. Después de terminar con la superficie de la pared, fije dos (2) tornillos 4 x 38 mm en los lugares que se muestran abajo. **NO APRIETE** los tornillos totalmente: deje aproximadamente 1/4 pulg. (6.3 mm) entre la cabeza del tornillo y la pared.

Para las campanas con una anchura de 30, 36 y 42 pulg. (76.2, 91.4 y 106.7 cm)



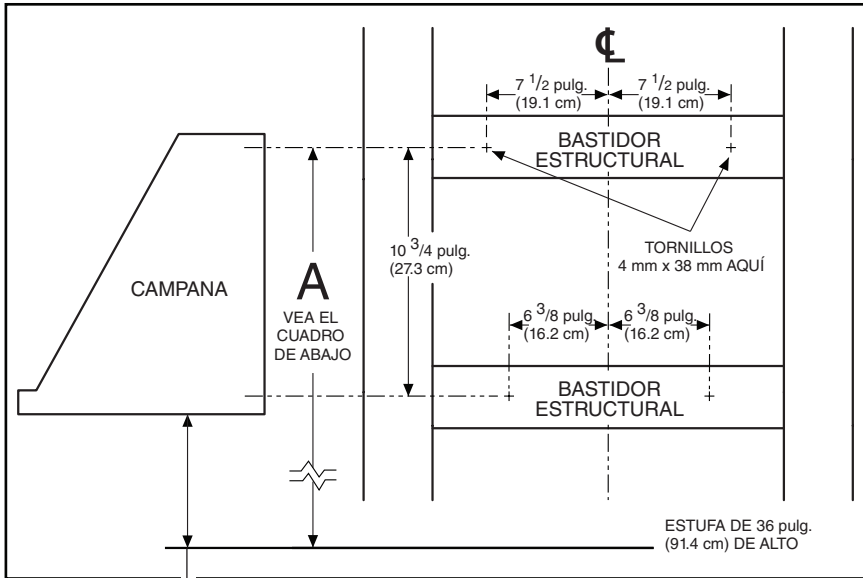
Distancia deseada de la campana (por encima de la estufa de 36 pulg. (91.4 cm) de alto)

	24 pulg. (61 cm)	25 pulg. (63.5 cm)	26 pulg. (66 cm)	27 pulg. (68.6 cm)	28 pulg. (71.1 cm)	29 pulg. (73.7 cm)	30 pulg. (76.2 cm)
Altura del techo	Ubicación de los tornillos de montaje superiores (distancia por encima de la estufa de 36 pulg. (91.4 cm) de alto) (Dimensión *A*)						
8 pies (244 cm)	37 1/8 pulg. (94.3 cm)	38 1/8 pulg. (96.8 cm)	39 1/8 pulg. (99.4 cm)	40 1/8 pulg. (101.9 cm)	41 1/8 pulg. (104.5 cm)	*42 1/8 pulg. (107 cm)	*43 1/8 pulg. (109.5 cm)
9 pies (274 cm)							43 1/8 pulg. (109.5 cm)
9 pies (274 cm) con AEWTT32SB	**	**	**				
10 pies (305 cm) con AEWTT32SB	37 1/8 pulg. (94.3 cm)	38 1/8 pulg. (96.8 cm)	39 1/8 pulg. (99.4 cm)	40 1/8 pulg. (101.9 cm)	41 1/8 pulg. (104.5 cm)	42 1/8 pulg. (107 cm)	43 1/8 pulg. (109.5 cm)

* Las persianas de recirculación sin conductos quedarán expuestas en una configuración con conductos.

** Para los no-canal de instalación, utilice tubo superior e inferior de AEWTT32SB de combustión de campana estándar.

Para las campanas de una anchura de 48 pulg. (121.9 cm)

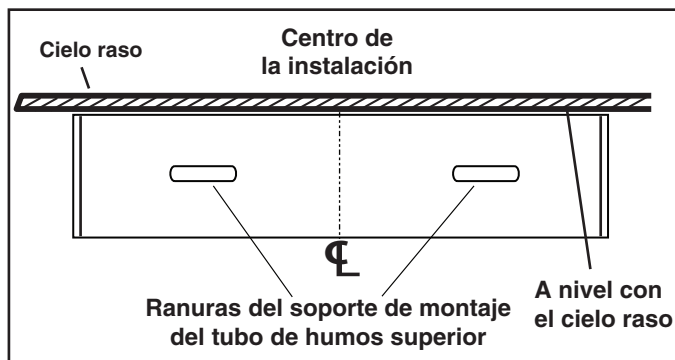


Distancia deseada de la campana (por encima de la estufa de 36 pulg. (91.4 cm) de alto)

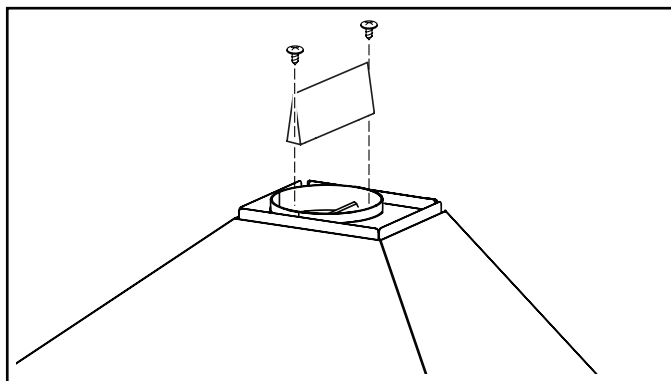
	24 pulg. (61 cm)	25 pulg. (63.5 cm)	26 pulg. (66 cm)	27 pulg. (68.6 cm)	28 pulg. (71.1 cm)	29 pulg. (73.7 cm)	30 pulg. (76.2 cm)
Altura del techo	Ubicación de los tornillos de montaje superiores (distancia por encima de la estufa de 36 pulg. (91.4 cm) de alto) (Dimensión "A")						
8 pies (244 cm)	36 1/8 pulg. (91.8 cm)	37 1/8 pulg. (94.3 cm)	38 1/8 pulg. (96.8 cm)	39 1/8 pulg. (99.4 cm)	40 1/8 pulg. (101.9 cm)	41 1/8 pulg. (104.5 cm)	42 1/8 pulg. (107 cm)
9 pies (274 cm)					40 1/8 pulg. (101.9 cm)	41 1/8 pulg. (104.5 cm)	42 1/8 pulg. (109.5 cm)
9 pies (274 cm) con AEWTT32SB	36 1/8 pulg. (91.8 cm)	37 1/8 pulg. (94.3 cm)	38 1/8 pulg. (96.8 cm)				
10 pies (305 cm) con AEWTT32SB	36 1/8 pulg. (91.8 cm)	37 1/8 pulg. (94.3 cm)	38 1/8 pulg. (96.8 cm)	39 1/8 pulg. (99.4 cm)	40 1/8 pulg. (101.9 cm)	41 1/8 pulg. (104.5 cm)	42 1/8 pulg. (107 cm)

INSTALACIÓN DE LA CAMPANA

(Solo campanas para sistemas con conductos)

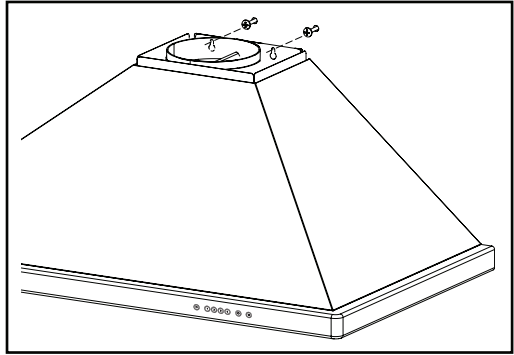


1. Centre el soporte de montaje del tubo de humos sobre la ubicación de la campana y a nivel con el cielo raso. Fije el soporte del tubo de humos superior a la pared utilizando dos (2) tornillos de montaje 4 mm x 38 mm. Nota: Tal vez se requieran taquetes para pared de yeso (no se incluyen).
2. Apriete totalmente los tornillos. Asegúrese de que el soporte esté apretado contra la pared y el techo.
3. En este momento quite la película de plástico protector que cubre el tubo de humos decorativo y la campana.
4. Retire los filtros para grasa estirando hacia abajo la cejilla metálica e inclinando los filtros hacia abajo para quitarlos.
5. Retire todos los materiales de relleno de espuma internos que soportan el conjunto del soplador en el interior de la campana.

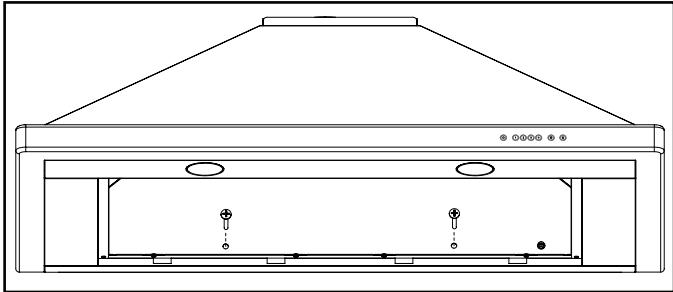


6. **Para la campana de 48 pulg. (121.9 cm) solamente:** Fije el regulador de tiro/desviador en la parte superior de la campana con dos (2) tornillos de montaje de 4 x 8 mm.
7. Fije el conector del regulador de tiro/conducto (8 pulg. (20.3 cm) de diámetro para las campanas de 30, 36 y 42 pulg. (76.2, 91.4 y 106.7 cm) de ancho y 10 pulg. (25.4 cm) de diámetro para las campanas de 48 pulg. (121.9 cm) de ancho) con cuatro (4) tornillos de montaje de 4 x 8 mm.

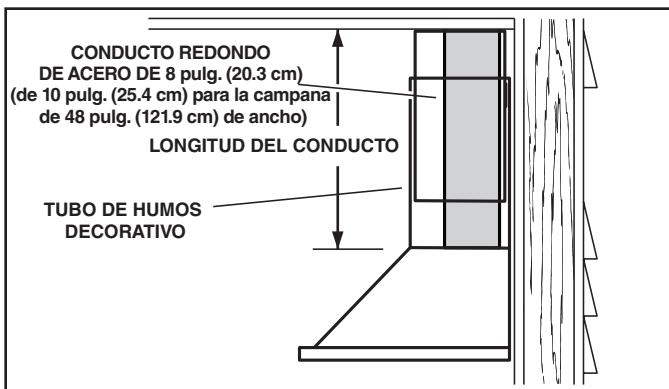
8. Alinee las dos ranuras tipo bocallave exteriores de la campana con los tornillos de montaje que estaban apretados parcialmente en la estructura de la pared. Asegúrese de que la campana esté totalmente asentada sobre los tornillos de montaje y que la campana esté nivelada. Luego apriete totalmente los tornillos.



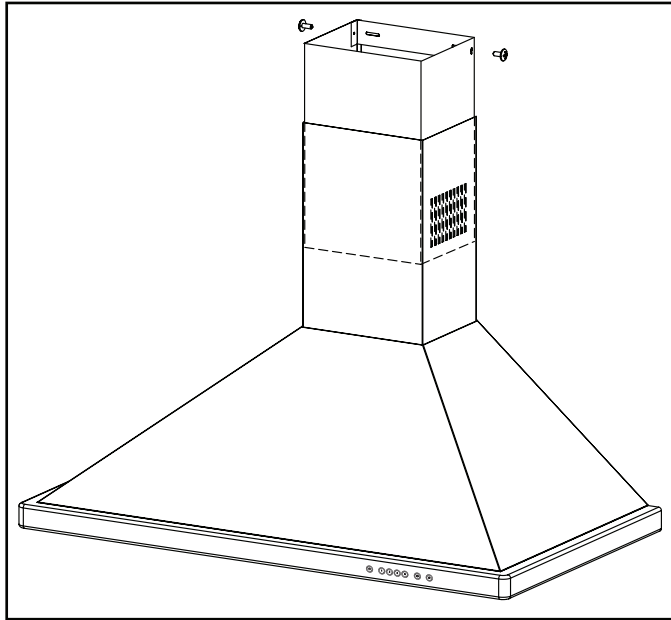
9. Instale (2) tornillos largos 4 x 38 mm en los orificios del interior de la campana y apriételos con firmeza.



10. Reinstale los filtros para grasa alineando las lengüetas posteriores del filtro con las ranuras de la campana. Estire hacia abajo la lengüeta metálica del cierre, presione los filtros en su posición y libere. Asegúrese de que los filtros estén seguramente enganchados después de su instalación.



11. Mida e instale los conductos de acero al conector de conductos de la campana y el empalme de los conductos en el cielo raso o en la pared. Use cinta para conductos para fijar y sellar todas las uniones.
12. Conecte el cable eléctrico en el tomacorriente.



13. Deslice la sección superior del tubo de humos decorativo en la sección inferior del tubo de humos decorativo.

NOTA

En las aplicaciones con conductos, las rejillas del tubo de humos superior deben ocultarse colocando las rejillas abajo, en el interior del tubo de humos inferior.

14. Coloque con cuidado el conjunto del tubo de humos superior e inferior en el área ahuecada de la campana.
15. Deslice el tubo de humos superior hacia arriba, hasta que quede alineado con su soporte de montaje. El soporte debe quedar dentro del tubo de humos. Fije el tubo de humos superior al soporte de montaje correspondiente utilizando dos (2) tornillos de montaje 4 x 12 mm.

NOTA

Los cielos rasos de 9 y 10 pies (274 y 305 cm) podrían requerir una extensión para el tubo de humos modelo AEWTT32SB (para las campanas de 30, 36 y 42 pulg. (76.2, 91.4 y 106.7 cm) de ancho) o el modelo AEWTT328SB (para las campanas de 48 pulg. (121.9 cm) de ancho), dependiendo de la altura de la instalación (se compran por separado). Deseche los tubos de humos superior e inferior incluidos con la campana y reemplácelos con extensiones del tubo de humos.

INSTALACIÓN DE LA CAMPANA

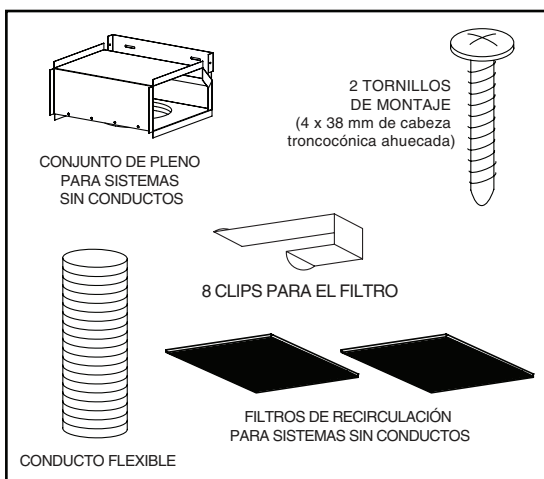
(Solo campanas para sistemas sin conductos)

CONTENIDO DEL KIT PARA SISTEMAS SIN CONDUCTOS

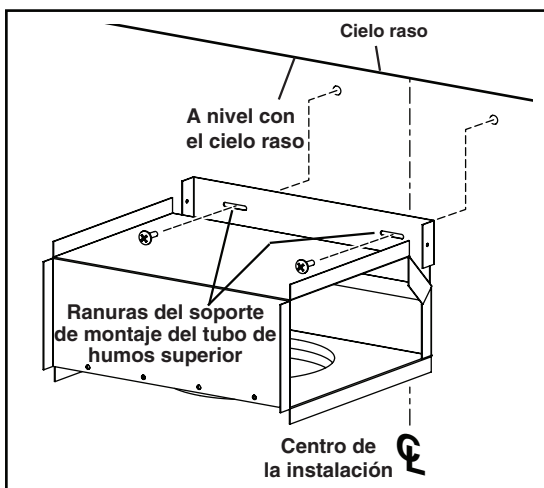
MODELOS ANKWTT320 O ANKWTT326

NOTA

Las instalaciones sin conductos requieren el kit para sistemas sin conductos, modelo ANKWTT320 para la campana de 30 pulg. (76.2 cm) de ancho, o el modelo ANKWTT326 para las campanas de 36 o 42 pulg (91.4 o 106.7 cm) de ancho.

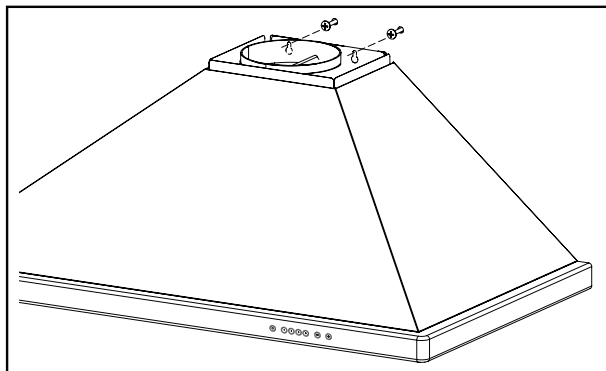


1. Centre el pleno sin conductos sobre la ubicación de la campana y a nivel con el cielo raso. Fije el soporte del pleno sin conductos a la pared utilizando dos (2) tornillos de montaje 4 x 38 mm. Nota: Es posible que sean necesarios taquetes para pared de yeso (no se incluyen).
2. Apriete totalmente los tornillos. Asegúrese de que el pleno sin conductos esté apretado contra la pared y el techo.

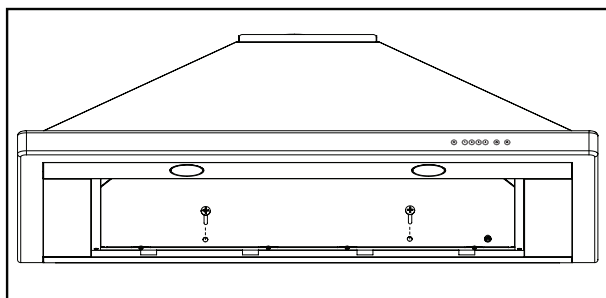


3. Quite las aletas del regulador de tiro del conector para conector/conducto y deseche las aletas.
4. En este momento quite la película de plástico protector que cubre el tubo de humos decorativo y la campana.
5. Fije el conector de conducto redondo de 8 pulg. (20.3 cm) a la parte superior de la campana con cuatro (4) tornillos de montaje de 4 x 8 mm.
6. Retire los filtros para grasa estirando hacia abajo la cejilla metálica e inclinando los filtros hacia abajo para quitarlos.
7. Retire todos los materiales de relleno de espuma internos que soportan el conjunto del soplador en el interior de la campana.

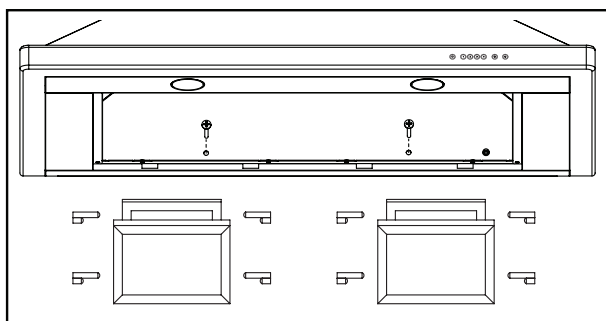
8. Alinee las dos ranuras tipo bocallave exteriores de la campana con los tornillos de montaje que estaban apretados parcialmente en la estructura de la pared. Asegúrese de que la campana esté totalmente asentada sobre los tornillos de montaje y que la campana esté nivelada. Luego apriete totalmente los tornillos.



9. Instale (2) tornillos largos 4 x 38 mm en los orificios del interior de la campana y apriételos con firmeza.

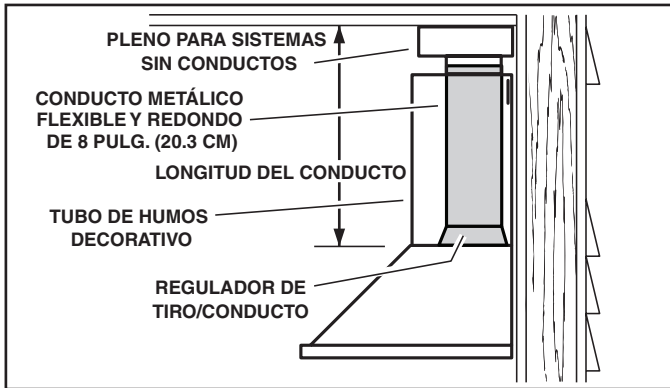


10. Fije los filtros para sistemas sin conductos al filtro para grasa con ocho (8) clips de filtro.



11. Reinstale la combinación de filtro para sistemas sin conductos/ filtro para grasa alineando la lengüeta posterior del filtro con las ranuras de la campana.

Estire hacia abajo la lengüeta metálica del cierre, presione los filtros en su posición y libere. Asegúrese de que los filtros estén seguramente enganchados después de su instalación.



12. Mida e instale la sección de conducto metálico flexible (se incluye con los modelos ANKWTT320 o ANKWTT326) en el conector de regulador de tiro/ conducto y la parte inferior del pleno sin conductos. Use cinta para conductos para fijar y sellar todas las uniones.

PRECAUCIÓN

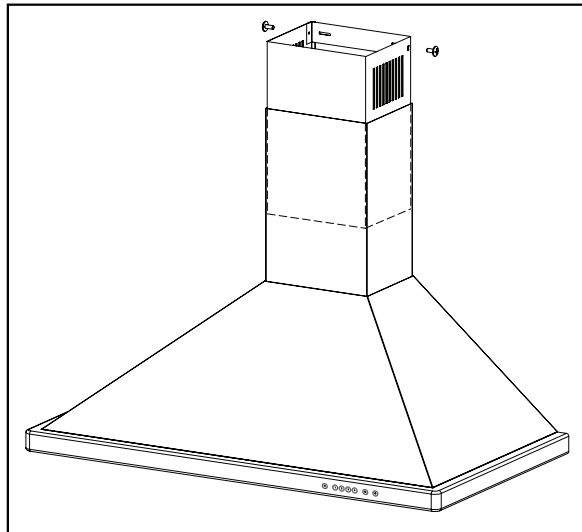
No use conductos de plástico.

13. Conecte el cable eléctrico en el tomacorriente.
14. Deslice la sección superior del tubo de humos decorativo en el interior de la sección inferior del tubo.

NOTA

En aplicaciones sin conductos, el tubo de humos superior debe estar orientado de forma que las persianas estén hacia el cielo raso.

15. Coloque con cuidado el conjunto del tubo de humos superior e inferior en el área ahuecada de la campana.
16. Deslice el tubo de humos superior hacia arriba, hasta que quede alineado con el pleno sin conductos. El pleno sin conductos debe quedar dentro del tubo de humos. Fije el tubo de humos superior al pleno sin conductos utilizando dos (2) tornillos de montaje 4 x 12 mm.



NOTA

Los cielos rasos de 9 a 10 pies (274 a 305 cm) podrían requerir una extensión para el tubo de humos modelo AEWTT32SB, dependiendo de la altura de la instalación (se compra por separado). Deseche los tubos de humos superior e inferior incluidos con la campana y reemplácelos con la extensión del tubo de humos modelo AEWTT32SB.

PIEZAS DE SERVICIO

Modelos de 30, 36 y 42 pulg. (76.2, 91.4 cm y 106.7 cm) de ancho

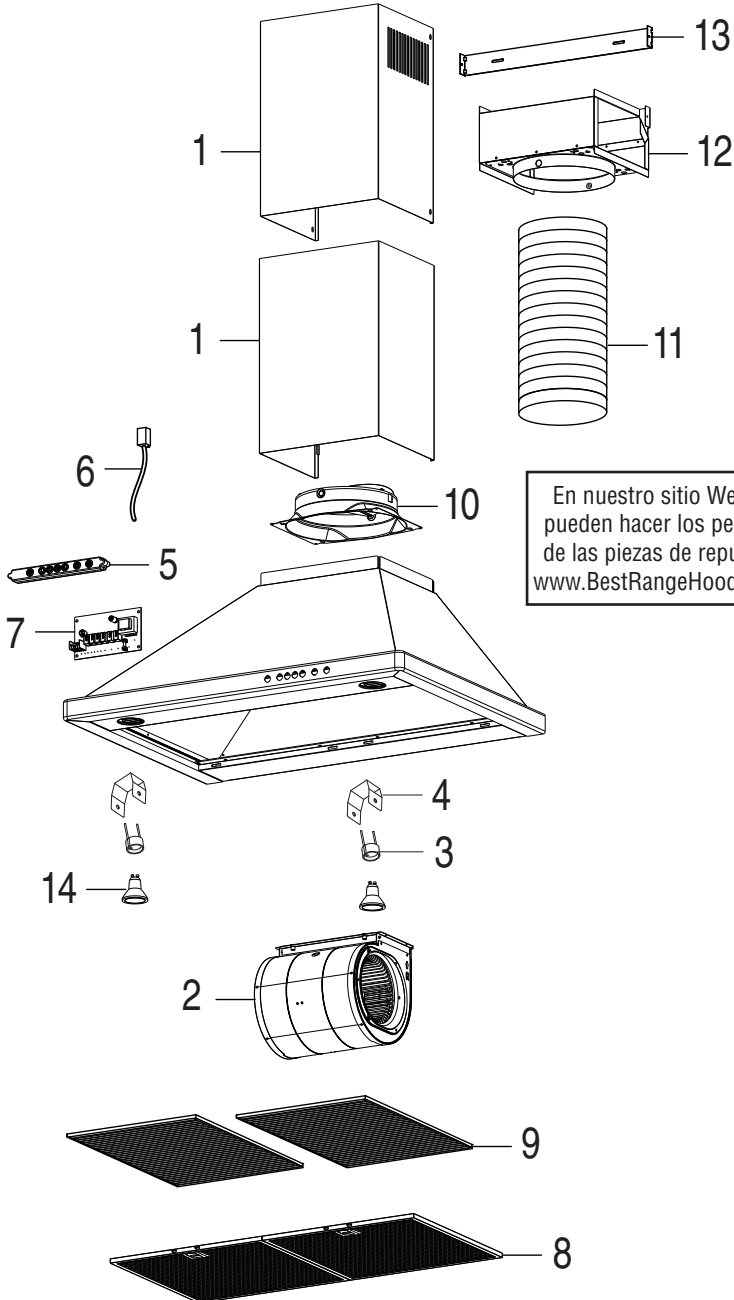
CLAVE	N.º DE PIEZA	DESCRIPCIÓN	CANT.
1	S99528405	Tubos de humos decorativos superior e inferior	1
2	S99528407	Conjunto de motor/ventilador	1
3	S99528408	Portaluces (campanas de 30 y 36 pulg. (76.2 y 91.4 cm) de ancho) (incluye las piezas de montaje)	2
		Portaluces (campana de 42 pulg. (106.7 cm) de ancho) (incluye las piezas de montaje)	3
4	S99528409	Soporte para portaluces (campanas de 30 y 36 pulg. (76.2 y 91.4 cm) de ancho) (incluye las piezas de montaje)	2
		Soporte para portaluces (campana de 42 pulg. (106.7 cm) de ancho) (incluye las piezas de montaje)	3
5	S99528410	Conjunto de la interfaz del usuario	1
6	S99528411	Cable de la interfaz del usuario	1
7	S99528412	Tablero de control	1
8	S99528414	Filtro de aluminio para grasa (campana de 30 pulg. (76.2 cm) de ancho)	2
	S99528415	Filtro de aluminio para grasa (campanas de 36 y 42 pulg. (91.4 y 106.7 cm) de ancho)	2
9	S97018968	Filtro de recirculación para sistemas sin conductos (campana de 30 pulg. (76.2 cm) de ancho)	2
	S97019039	Filtro de recirculación para sistemas sin conductos (campanas de 36 pulg. (91.4 cm) y 42 pulg. (106.7 cm) de ancho)	2
10	S99528418	Conjunto del regulador de 8 pulg. (20.3 cm)	1
11	S99528429	8 pulg. (20.3 cm) de diám. Conducto de aluminio flexible expansible	1
12	S99528421	Conjunto del pleno para sistemas sin conductos	1
13	S99528422	Soporte de montaje del tubo de humos superior	1
14	V05921	Lámpara de halógeno MR16 GU10 de 50 W (campanas de 30 y 36 pulg. (76.2 y 91.4 cm de ancho))	2
		Lámpara de halógeno MR16 GU10 de 50 W (campanas de 42 pulg. (106.7 cm) de ancho)	3
*	S99528423	Condensador	1
*	S99528425	Bolsa de piezas	1

* No se muestra.

Al solicitar piezas de servicio, ordene por número de pieza, no por número de clave.

PIEZAS DE SERVICIO

Modelos de 30 pulg. (76.2 cm), 36 pulg. (91.4 cm)
y 42 pulg. (106.7 cm) de ancho



En nuestro sitio Web se
pueden hacer los pedidos
de las piezas de repuesto:
www.BestRangeHoods.com

PIEZAS DE SERVICIO

Modelo de 48 pulg. (121.9 cm) de ancho

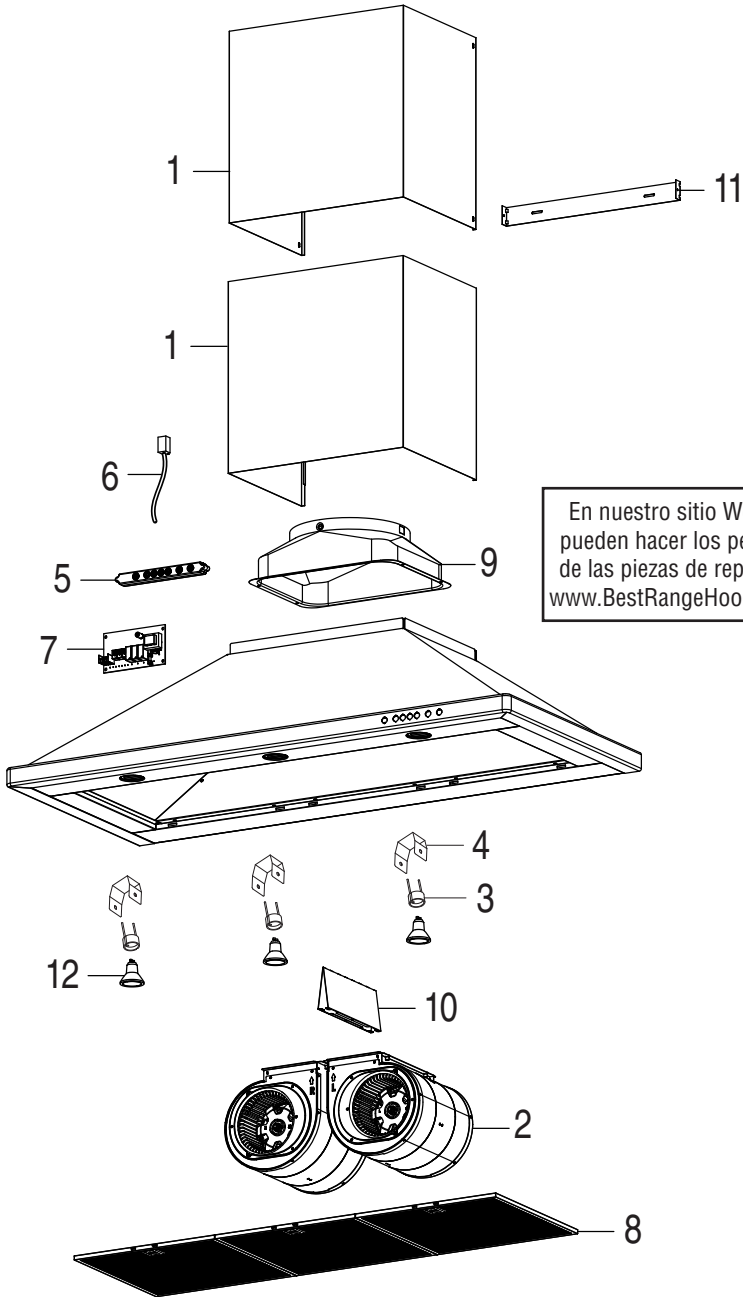
CLAVE	N.º DE PIEZA	DESCRIPCIÓN	CANT.
1	S99528406	Tubos de humos decorativos superior e inferior	1
2	S99528407	Conjunto de motor/ventilador	2
3	S99528408	Portaluces (incluye las piezas de montaje)	3
4	S99528409	Soporte para portaluces (incluye las piezas de montaje)	3
5	S99528410	Conjunto de la interfaz del usuario	1
6	S99528411	Cable de la interfaz del usuario	1
7	S99528413	Tablero de control	1
8	S99528414	Filtro de aluminio para grasa	3
9	S99528419	Conjunto del regulador de 10 pulg. (25.4 cm)	1
10	S99528420	Desviador	1
11	S99528438	Soporte de montaje del tubo de humos superior	1
12	V05921	Lámpara de halógeno MR16 GU10 de 50 W	3
*	S99528424	Condensador	1
*	S99528425	Bolsa de piezas	1

* No se muestra.

Al solicitar piezas de servicio, ordene por número de pieza, no por número de clave.

PIEZAS DE SERVICIO

Modelo de 48 pulg. (121.9 cm) de ancho



En nuestro sitio Web se pueden hacer los pedidos de las piezas de repuesto: www.BestRangeHoods.com

GARANTÍA

GARANTÍA LIMITADA DE UN AÑO PARA LOS PRODUCTOS BEST

Broan-NuTone LLC (Broan-NuTone) garantiza al consumidor comprador original de los productos BEST que tales productos estarán libres de defectos en materiales o mano de obra durante un período de un año a partir de la fecha de la compra original. NO EXISTEN OTRAS GARANTÍAS, EXPRESAS NI IMPLÍCITAS, INCLUIDAS (PERO SIN LIMITARSE A) GARANTÍAS IMPLÍCITAS DE COMERCIALIZACIÓN O IDONEIDAD PARA UN PROPÓSITO PARTICULAR.

Durante este período de un año, Broan-NuTone, a su criterio, reparará o reemplazará sin cargo alguno cualquier pieza o producto que se encuentre defectuoso bajo condiciones normales de uso y servicio.

LA PRESENTE GARANTÍA NO CUBRE ARRANCADORES DE LÁMPARAS FLUORESCENTES, TUBOS, BOMBILLAS DE HALÓGENO E INCANDESCENTES, FUSIBLES, FILTROS, CONDUCTOS, TAPAS DE TECHO O DE PARED Y DEMÁS ACCESORIOS DE CANALIZACIÓN. Esta garantía no cubre (a) mantenimiento y servicio normales, ni (b) ningún producto o piezas que se hayan sometido a uso inadecuado, negligencia, accidente, mantenimiento o reparación inadecuada (no hecha por Broan-NuTone), instalación incorrecta o instalación en contra de las instrucciones de instalación recomendadas.

La duración de cualquier garantía implícita se limita a un período de un año, como se especifica en la garantía expresa. Algunos estados no permiten limitaciones en cuanto al tiempo de vencimiento de una garantía implícita, por lo que la limitación antes mencionada podría no aplicarse a usted.

LA OBLIGACIÓN DE BROAN-NUTONE DE REPARAR O REEMPLAZAR, A OPCIÓN DE BROAN-NUTONE, SERÁ EL ÚNICO Y EXCLUSIVO RECURSO DEL COMPRADOR BAJO ESTA GARANTÍA. BROAN-NUTONE NO SERÁ RESPONSABLE POR DAÑOS INCIDENTALS, RESULTANTES O ESPECIALES QUE SURJAN DEL USO O DESEMPEÑO DEL PRODUCTO O EN RELACIÓN CON EL MISMO. Algunos estados no permiten la exclusión o limitación de daños incidentales o resultantes, por lo que la limitación antes mencionada podría no aplicarse a usted.

Esta garantía le otorga derechos legales específicos, y usted podría tener otros derechos que varían de un estado a otro. Esta garantía sustituye todas las garantías anteriores.

Para tener derecho al servicio de la garantía, usted debe (a) notificar a Broan-NuTone a la dirección y número de teléfono que aparecen abajo, (b) proporcionar el número de modelo y la identificación de la pieza y (c) describir la naturaleza de cualquier defecto en el producto o pieza. En el momento de solicitar el servicio cubierto por la garantía, debe presentar un comprobante de la fecha original de compra.

En EE. UU. - BEST®, 926 W. State Street, Hartford, WI 53027 (800-558-1711)

En Canadá - BEST®, 550 Lemire Blvd., Drummondville, QC J2C 7W9 (866-737-7770)
www.BestRangeHoods.com

