

Use, Care and Installation Guide

Read all Instructions before Installing and operating this appliance

Important Safety Notice

Read and save these instructions

MODEL: AK6500, AK6536, AK6542, AK2500, AK2536

WARNING

TO REDUCE THE RISK OF FIRE OR ELECTRIC SHOCK, DO NOT USE THIS FAN WITH ANY SOLID-STATE CONTROL DEVICE.

WARNING

TO REDUCE THE RISK OF FIRE, ELECTRIC SHOCK, OR INJURY TO PERSONS, OBSERVE THE FOLLOWING:

- a. Use this unit only in the manner intended by the manufacturer, if you have questions, contact the manufacturer.
- b. Before servicing or cleaning unit, switch power off at service panel and lock panel to prevent power from being switched on accidentally. When the service disconnecting means cannot be locked, securely fasten a prominent warning device, such as a tag, to the service panel.

CAUTION

For general ventilating use only. Do not use to exhaust cigarette ashes, hazardous or explosive materials and vapors.

WARNING

TO REDUCE THE RISK OF RANGE TOP GREASE FIRE:

- a. Never leave surface units unattended at high settings. Boilovers cause smoking and greasy spillovers that may ignite. Heat oils slowly on low or medium settings.
- b. Always turn hood ON when cooking at high heat or when flambeing food (ie: Crepes Suzette, Cherries Jubilee, Peppercorn Beef Flambe)
- c. Clean ventilating fans frequently. Grease should not be allowed to accumulate on fan or filter.
- d. Use proper pan size. Always use cookware appropriate for the size of the surface element.

XP02243(2)

Rev:0605

Use, Care and Installation Guide

Read all Instructions before Installing and operating this appliance

WARNING

TO REDUCE THE RISK OF FIRE, ELECTRIC SHOCK OR INJURY TO PERSONS, OBSERVE THE FOLLOWING:

- a. Installation work and electrical wiring must be done by qualified person (s) in accordance with all applicable codes and standards. Including fire-rated construction.
- b. Sufficient air is needed for power combustion and exhausting of gases through the flue (chimney) of fuel burning equipment to prevent back drafting. Follow the heating equipment manufacturer's guideline and safety standards such as those published by the National Fire Protection Association (NFPA) and the American Society for Heating, Refrigeration and Air Conditioning Engineers (ASHRAE) and the local code authorities.
- c. When cutting or drilling into wall or ceiling, do not damage electrical wiring and other hidden utilities.
- d. Ducted fans must always vent to the outdoors.

WARNING

TO REDUCE THE RISK OF FIRE, USE ONLY METAL DUCTWORK.

CAUTION

To reduce risk of fire and to properly exhaust air outside - Do not vent exhaust air into soaces within walls, ceilings, attics, crawl spaces or garages.

WARNING

TO REDUCE THE RISK OF SHOCK, THIS FAN MUST BE INSTALLED WITH AN ISOLATING WALL CONTROL/SWITCH.

OPERATION

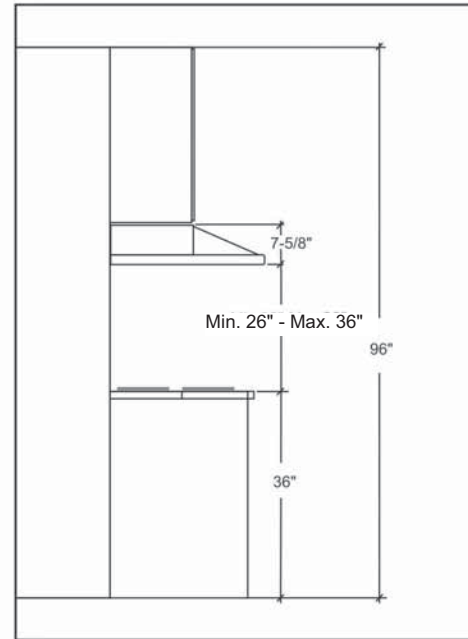
Always leave safety grills and filters in place. Without these components, operating blowers could catch onto hair, fingers and loose clothing.

The manufacturer declines all responsibility in the event of failure to observe the instructions given here for installation, maintenance and suitable use of the product. The manufacturer further declines all responsibility for injury due to negligence and the warranty of the unit automatically expires due to improper maintenance.

***NOTE:** Please check www.zephyronline.com for revisions before doing any custom work.

INSTALLATION

MOUNT HEIGHTS



Minimum mount height between range top to hood bottom should be no less than 26".

Maximum mount height should be no higher than 36".

It is important to install the hood at the proper mounting height. Hoods mounted too low could result in heat damage and fire hazard; while hoods mounted too high will be hard to reach and will lose its performance and efficiency.

If available, also refer range manufacturer's height clearance requirements and recommended hood mounting height above range.

DUCTING

A minimum of 6" round or 3-1/4" x 10" rectangular duct must be used to maintain maximum air flow efficiency.

Always use rigid type metal ducts only. Flexible ducts could restrict air flow by up to 50%.

Also use calculation (on right) to compute total available duct run when using elbows, transitions and caps.

ALWAYS, when possible, reduce the number or transitions and turns. If long duct run is required, increase duct size from 6" to 7 or 8". If a reducer is used, install a long reducer instead of a pancake reducer. Reduce duct size as far away from opening as possible.

If turns or transitions are required: Install as far away from opening and as far apart, between 2, as possible.

Minimum Duct Size:

Round:
6" minimum
Rectangular:
3-1/4" x 10"

Duct Run Calculation:

Maximum run

6" or 3-1/4" x 10" duct	100 FT
Deduct:	
each 90 Elbow used	15 FT
each 45 elbow used	9 FT
each 6" to 3/14 x 10"	
transition used	1 FT
each 3/14 x 10" to 6"	
each 3/14 x 10" to 6"	
transition used	5 FT
Side Wall Cap w/ damper	30 FT
Roof Cap	30 FT

e.g.- 1 roof cap, 2x90 elbows, 1 x 45 elbow used:
=30' + 30' + 9' =69' used, 31' available for straight duct runs.

INSTALLATION

DUCTING

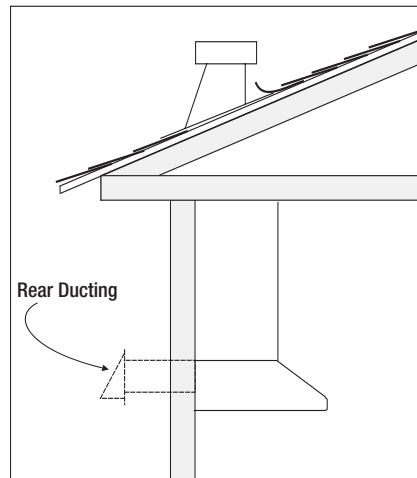
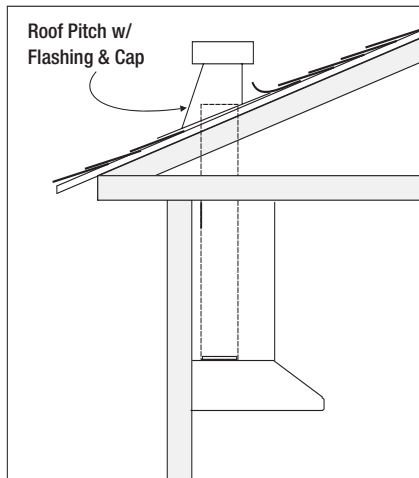
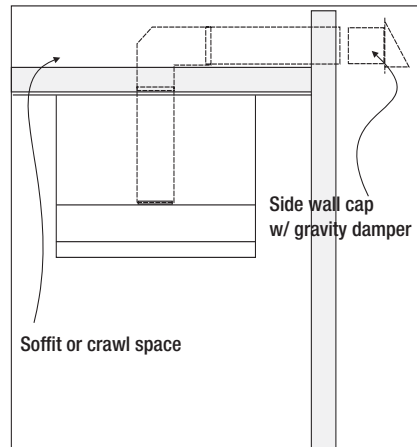
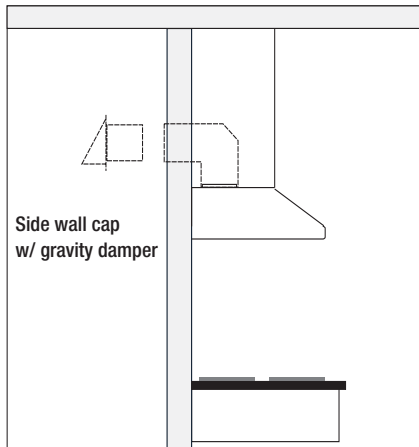
WARNING FIRE HAZARD

NEVER exhaust air or terminate duct work into spaces between walls, crawl spaces, ceiling, attics or garages. All exhaust must be ducted to the outside.

Use metal ductwork only.

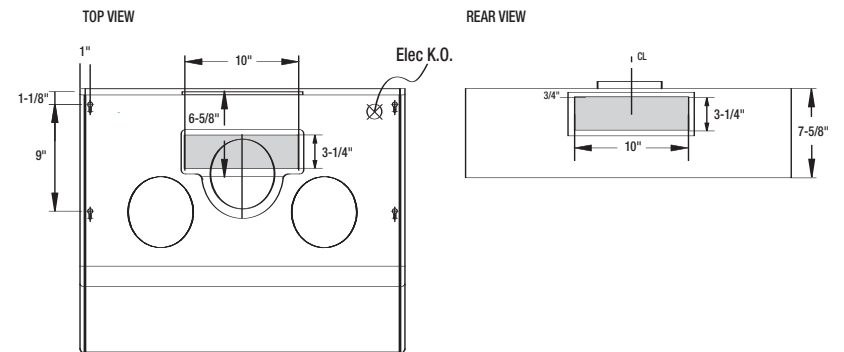
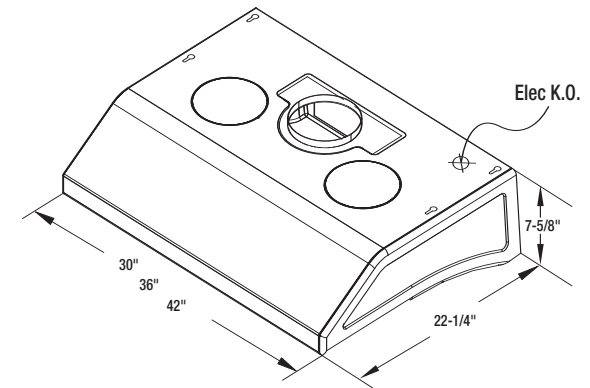
Fasten all connections with sheet metal screws and tape all joints w/ certified Silver Tape or Duct Tape.

Some Ducting Options:



INSTALLATION

SPECIFICATIONS



INSTALLATION

MOUNTING THE RANGEHOOD

ELECTRICAL

WARNING

All Electrical work must be performed by qualified electrician or person with similar technical know how and background.

For personal safety, remove house fuse or open circuit breaker before beginning installation. Do not use extension cord or adapter plug with this appliance.

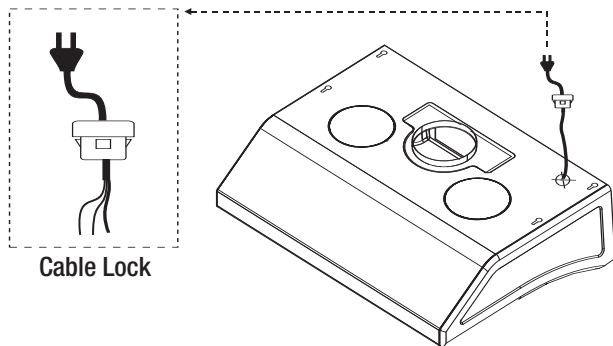
Follow National electrical codes or prevailing local codes and ordinances.

Electrical Supply:

This appliance requires a 120V 60Hz electrical supply, and connected to an individual, properly grounded branch circuit, protected by a 15 or 20 ampere circuit breaker or time delay fuse. Wiring must be 2 wire w/ ground. Please also refer Electrical Diagram labeled on product.

Cable Lock:

A cable locking connector (not supplied) might also be required by local codes. Check with local requirements and codes, purchase and install appropriate connector if necessary.

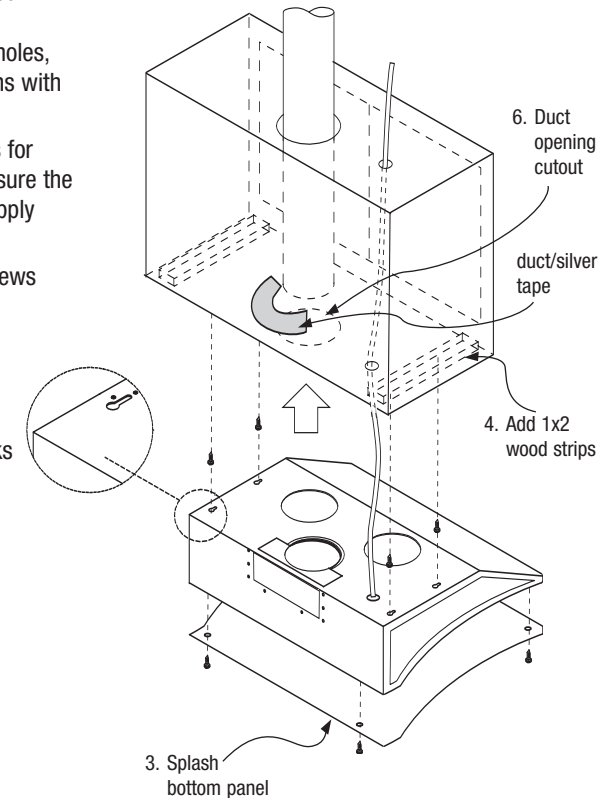


Cable Lock

INSTALLATION

MOUNTING THE RANGEHOOD

1. This range hood is mounted under a kitchen cabinet unit.
2. Select preferred duct location on rear or top of unit. (See page 6 & 7 for ducting conversion options)
3. Begin installation by temporarily unscrewing and removing the bottom splash panel.
4. Reinforce cabinet base with 1x2 wood strips if additional strengthening is required.
5. Temporarily position the range hood in the desired mounting location. Measure and mark the mounting holes, duct and electrical access locations with a pencil.
6. Drill/cut out the required openings for duct and electrical access; make sure the duct opening is large enough to apply duct tape.
7. Fasten hood onto cabinet with screws and washers provided.
8. Install electrical.
9. Install duct work and duct-tape.
10. Reinstall the bottom splash panel.
11. Power up hood and check for leaks around duct-tape.



INSTALLATION

CONVERTIBLE OPTIONS

This range hood is equipped with the option of a 6" vertical discharge, 3 1/4"x10" vertical discharge, 3 1/4"x10" Rear Discharge or 3 1/4"x10" rear discharge. Additional accessories are provided to convert to either of the above discharge methods.

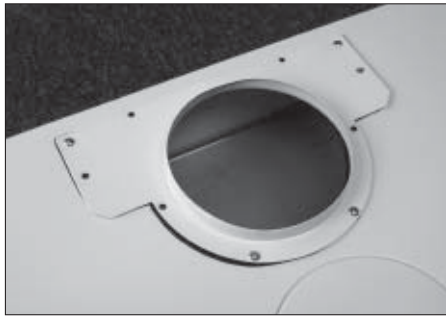
Convertible Options

Vertical discharge	6" round
Vertical discharge	3 1/4"x10"
Horizontal rear discharge	3 1/4"x10"

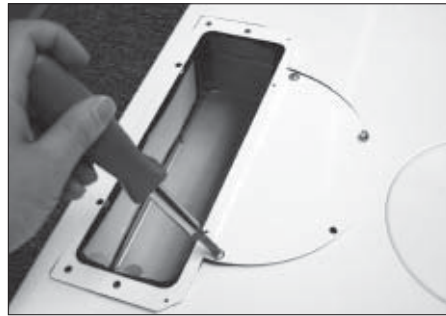
Convertible Accessories

Round transition adapter
Rectangular transition adapter
Rectangular rear cap (pre-mounted)
3 1/4"x10" starting collar

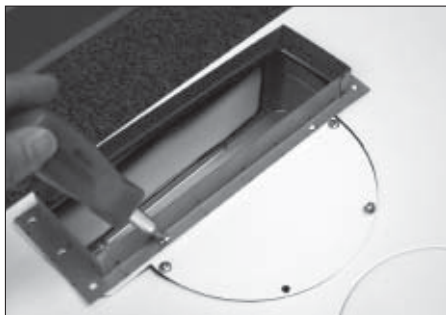
3 1/4"x10" Vertical Discharge



1. Remove pre-mounted 6" transition adapter or duct opening.



2. Place rectangular transition adapter as shown by first installing 4 screws on half round section.



3. Mount the 3-1/4"x10" starting collar on top of transition piece with remaining screws.

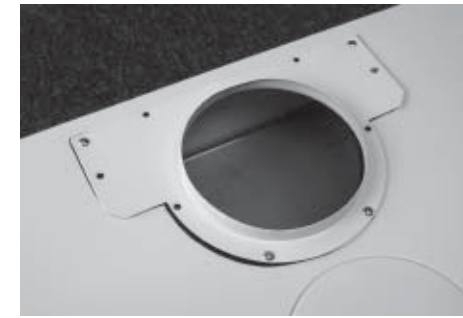
INSTALLATION

CONVERTIBLE OPTIONS

3 1/4"x10" Rear Discharge



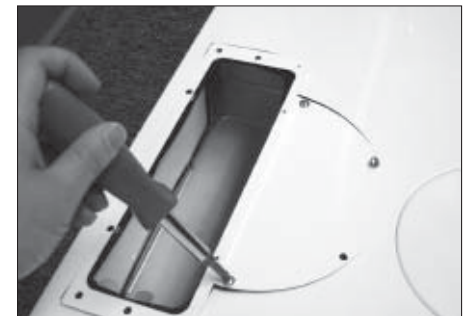
1. At rear of range hood, remove all screws on pre-mounted rear rectangular cap and remove plate.



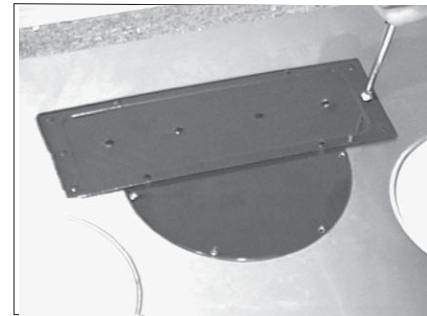
2. Remove top pre-mounted transition piece.



3. Remove 2 air diverter blocks through top opening as shown.



4. Mount rectangular transition piece to top opening as shown.



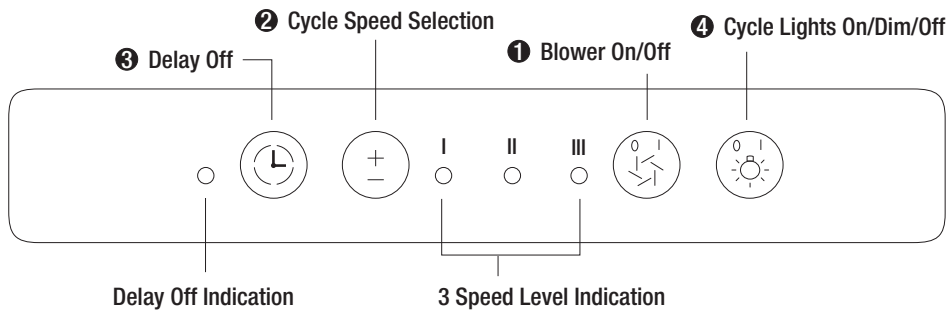
5. Mount rectangular plate (previously removed) on top of transition adapter.









6. Mount starting collar (provided) at rear discharge.

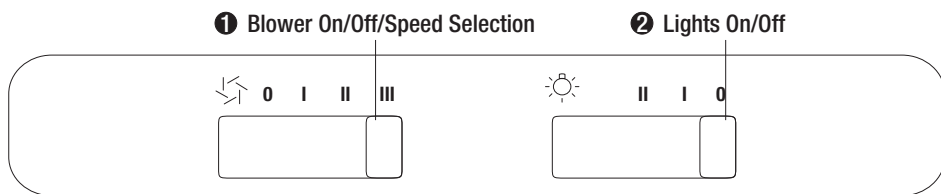
CONTROLS & FEATURES

CONTROLS & FEATURES (Models AK2500, AK2536)



- 1 Blower On/Off**
By pressing , the blower is turned On and Off.
- 2 Cycle Speed Selection**
Cycle through 3 speed levels by pressing , the display indicates level selected.
- 3 Delay Off**
This switch is used for programmed shut down of blower and lights 5 minutes after the function is activated. Press  once, the flashing indicator to the left indicates the function is on. The hood will completely shut down in 5 minutes.
- 4 Cycle Lights On/Dim/Off**
Switch lights On  by selecting this switch. To Dim lights, activate  again. Selecting  one more time, will turn lights Off

CONTROLS & FEATURES (Models AK6500, AK6536, AK6542)



- 1 Blower On/Off/Speed Selection**
This switch turns the blower on and off and controls the speed selection. **0** is off, **I** is low speed, **II** is medium speed and **III** is high speed.
- 2 Lights On/Off**
Turn lights on **I** or off **0** with this switch.

CLEANING AND MAINTENANCE

SELF CLEAN FEATURE

Using Self Cleaning:



WARNING: Use only non-corrosive & non-abrasive grease cutting detergents.
DO NOT USE OVEN CLEANERS.

Models AK6500, AK6536, AK6542, AK2500, AK2536 hoods are designed with a self cleaning feature. The centrifugal blower system automatically liquefies cooking residue accumulated in its internal housing, and deposits the residue in the cleaning cup. Nevertheless, grease from cooking can also dry and adhere in the internal housing. Running the self clean function periodically will flush out accumulated residue in the range hood's internal housing.

Cleaning Frequency:

Cleaning should be completed approximately once a month under normal use.

Detergent:

Non-corrosive, non-abrasive grease cutting spray detergents are recommended.

Self Clean:

Turn blower on lowest speed for cleaning.

With nozzle on 'spray', squirt the grease cutting detergent through the safety grill, directly onto blower blades 10-15 times.

Allow self cleaning to complete for 5 minutes, turn blower off.

Remove cleaning cup. Clean w/ mild detergent or in dishwasher under normal wash cycle.

(If desired, repeat above steps with water to rinse out detergent)



MAINTENANCE

LIGHTS

Replacing Light Bulbs

CAUTION: Light bulb becomes extremely hot when turned on. DO NOT touch bulb until switched off and cooled. Touching hot bulbs could cause serious burns.

Make sure all power is turned off and bulbs are not hot.

Remove by turning bulb counter clockwise.

If bulbs are difficult to turn due to prolonged use, firmly attach a glass suction cup approx. the diameter of the bulb and turn.

Replacement bulbs are available at specialty lighting stores.

AK6500, 6536, 6542

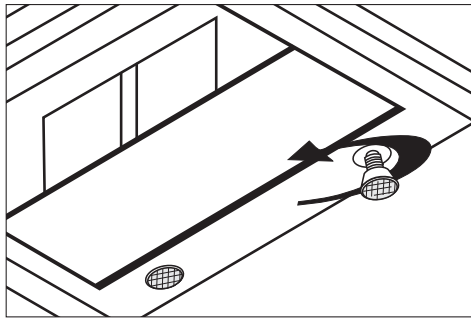
Purchase type: 4OR 14 mini flood light bulbs

AK2500, 2536

Purchase type: GU 10 halogen bulbs

Or to order bulbs, please call our service center: 888-880-8368 or online parts store:

www.zephyronline.com



WARRANTY

TO OBTAIN SERVICE UNDER WARRANTY:
You must present proof of original purchase date.
Please keep a copy of your dated proof of purchase (sales slip)
in order to obtain service under warranty.

One Year Service Repair Warranty:

For one year from date of original purchase, we will provide free of charge, service labor to repair any failed parts or components due to manufacturing defects.

Ten Years Parts/Lifetime Motor Warranty:

For ten years from date of original purchase, we will provide free of charge, nonconsumable replacement parts or components that failed due to manufacturing defects.

Consumable parts not covered by this warranty include: Light Bulbs, Metal and Carbon Filters.

The motor will have lifetime warranty replacement if it fails due to manufacturing defects.

Who is Covered:

This warranty is extended to the original purchaser for products purchased for ordinary home use in the 48 mainland states, Hawaii and Washington D.C.

In Canada and Alaska, this warranty is Limited. There might be costs associated with shipping the products to our designated service locations or you might need to pay service technician's travel costs, to have the appliance repaired in-home.

This Warranty will be Voided when:

Product damaged through negligence, misuse, abuse, accident.

Improper installation and failure to follow installation instructions. When product is used commercially or other than its intended purpose.

Damaged because of improper connection with equipment of other manufacturers.

Repaired or modified by anyone other than Zephyr's Authorized Agents.

What is Not Covered:

Consumable parts such as light bulbs, filters, and fuses.

Services outside of service area and the labor cost incurred in connection with the removal, shipping and reinstallation cost, nor does it cover any other contingent expenses.

The natural wear of finish, and wear due to improper maintenance, use of corrosive and abrasive cleaning products, pads, and oven cleaner products.

Chips, dents or cracks due to abuse, misuse, freight damage, or improper installation.

Service trips to your home to teach you how to use the product.

Damage of product caused by accident, fire, floods or act of God.

This warranty is valid in the United States and Canada. It is non-transferable and applies only to the original purchaser and does not extend to subsequent owners of this product. Any applicable implied warranties, including the warranty of merchantability, are limited in duration to a period of express warranty as provided herein beginning with the date of original purchase at retail and, no warranties, whether express or implied, shall apply to this product thereafter.

TO OBTAIN SERVICE UNDER WARRANTY
or any Service Related Questions, please call:

1-888-880-8368

Have your product proof of purchase with date ready for warranty issues.

Or write to:

Zephyr Corporation
Service and Warranty Department
395 Mendell Street
San Francisco, CA 94124

Use, Care and Installation Guide

Read all Instructions before Installing and operating this appliance

Important Safety Notice

Read and save these instructions

MODEL: AK6500, AK6536, AK6542, AK2500, AK2536

WARNING

TO REDUCE THE RISK OF FIRE OR ELECTRIC SHOCK, DO NOT USE THIS FAN WITH ANY SOLID-STATE CONTROL DEVICE.

WARNING

TO REDUCE THE RISK OF FIRE, ELECTRIC SHOCK, OR INJURY TO PERSONS, OBSERVE THE FOLLOWING:

- a. Use this unit only in the manner intended by the manufacturer, if you have questions, contact the manufacturer.
- b. Before servicing or cleaning unit, switch power off at service panel and lock panel to prevent power from being switched on accidentally. When the service disconnecting means cannot be locked, securely fasten a prominent warning device, such as a tag, to the service panel.

CAUTION

For general ventilating use only. Do not use to exhaust cigarette ashes, hazardous or explosive materials and vapors.

WARNING

TO REDUCE THE RISK OF RANGE TOP GREASE FIRE:

- a. Never leave surface units unattended at high settings. Boilovers cause smoking and greasy spillovers that may ignite. Heat oils slowly on low or medium settings.
- b. Always turn hood ON when cooking at high heat or when flambeing food (ie: Crepes Suzette, Cherries Jubilee, Peppercorn Beef Flambe)
- c. Clean ventilating fans frequently. Grease should not be allowed to accumulate on fan or filter.
- d. Use proper pan size. Always use cookware appropriate for the size of the surface element.

Use, Care and Installation Guide

Read all Instructions before Installing and operating this appliance

WARNING

TO REDUCE THE RISK OF FIRE, ELECTRIC SHOCK OR INJURY TO PERSONS, OBSERVE THE FOLLOWING:

- a. Installation work and electrical wiring must be done by qualified person (s) in accordance with all applicable codes and standards. Including fire-rated construction.
- b. Sufficient air is needed for power combustion and exhausting of gases through the flue (chimney) of fuel burning equipment to prevent back drafting. Follow the heating equipment manufacturer's guideline and safety standards such as those published by the National Fire Protection Association (NFPA) and the American Society for Heating, Refrigeration and Air Conditioning Engineers (ASHRAE) and the local code authorities.
- c. When cutting or drilling into wall or ceiling, do not damage electrical wiring and other hidden utilities.
- d. Ducted fans must always vent to the outdoors.

WARNING

TO REDUCE THE RISK OF FIRE, USE ONLY METAL DUCTWORK.

CAUTION

To reduce risk of fire and to properly exhaust air outside - Do not vent exhaust air into soaces within walls, ceilings, attics, crawl spaces or garages.

WARNING

TO REDUCE THE RISK OF SHOCK, THIS FAN MUST BE INSTALLED WITH AN ISOLATING WALL CONTROL/SWITCH.

OPERATION

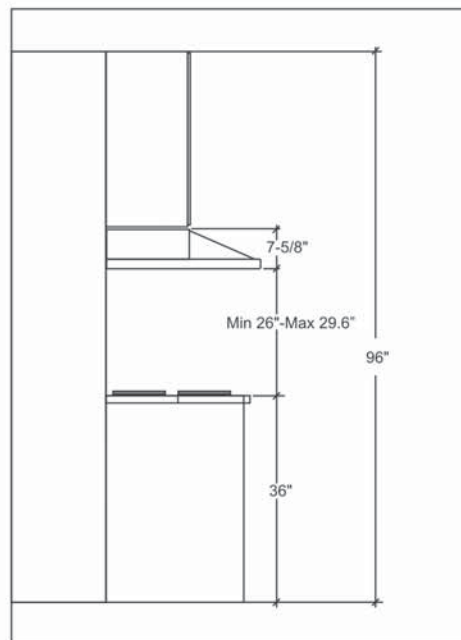
Always leave safety grills and filters in place. Without these components, operating blowers could catch onto hair, fingers and loose clothing.

The manufacturer declines all responsibility in the event of failure to observe the instructions given here for installation, maintenance and suitable use of the product. The manufacturer further declines all responsibility for injury due to negligence and the warranty of the unit automatically expires due to improper maintenance.

***NOTE:** Please check www.zephyronline.com for revisions before doing any custom work.

INSTALLATION

HAUTEUR DE MONTAGE



La hauteur de montage minimale entre la cuisinière et la hotte ne devrait pas être moins de 26".

La hauteur de montage maximale ne devrait pas dépasser 36".

Il est important d'installer la hotte à la hauteur de montage adéquate. Les hottes installées trop basses pourraient être endommagées par la chaleur en plus de présenter des risques d'incendie plus élevés tandis que les hottes installées trop hautes seront difficiles et leur performance réduite.

Si disponible, référez-vous aux exigences de hauteur d'espace libre requise par le fabricant de la cuisinière ainsi que la hauteur recommandée de montage de la hotte au-dessus de la surface de la cuisson.

CONDUIT D'AÉRATION

Un conduit rectangulaire d'un minimum de 3 1/4" x 10" ou circulaire de 6" de diamètre doit être utilisé pour assurer une circulation d'air maximale.

N'utilisez que des conduits en métal rigide. Les conduits souples pourraient réduire la circulation d'air jusqu'à 50%.

Utilisez le calcul (à droite) pour obtenir la longueur totale du conduit lors de l'utilisation de coudes, d'adaptateurs et de bouches d'aération.

Lorsque possible, diminuez TOUJOURS le nombre de pièces et de changements de direction. Si un long tronçon de conduit est nécessaire, augmentez le diamètre du conduit de 6" à 7" ou 8". Si un raccord réducteur est utilisé, installez un long raccord réducteur plutôt qu'un raccord réducteur plat. Réduisez le diamètre du conduit le plus loin possible de son ouverture.

Si des changements de direction ou des adaptateurs sont nécessaires, installez-les le plus loin possible de l'ouverture et le plus éloigné possible - séparés par au moins une pièce standard - l'un de l'autre.

Dimensions minimales du conduit:

Circulaire: 6"
Rectangulaire: 3 1/4" x 10"

Calcul du Conduit d'Aération:

Longueur maximale

Conduit de 6" ou 3 1/4" x 10"	100 pieds
Déduisez:	
chaque coude à 90° utilisé	15 pieds
chaque coude à 45° utilisé	9 pieds
chaque adaptateur de 6" à 3 1/4" x 10" utilisé	1 pied
chaque adaptateur de 3 1/4" x 10" à 6" utilisé	5 pieds
bouche d'aération de mur latéral avec registre	30 pieds
chapeau de toiture	30 pieds

ex: 1 chapeau de toiture, 2 coudes à 90°, 1 coude à 45°:
= 30' + 30' + 9' = 69' utilisé; 31' disponibles pour conduit d'aération droit.

INSTALLATION

CONDUIT D'AÉRATION

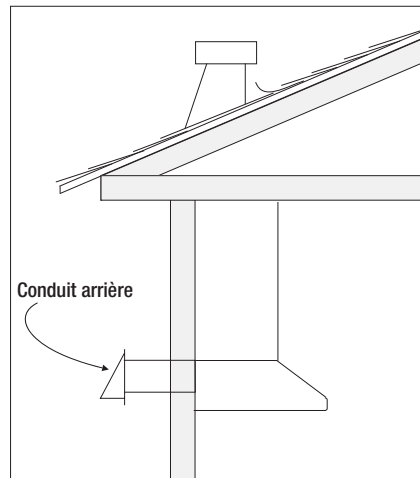
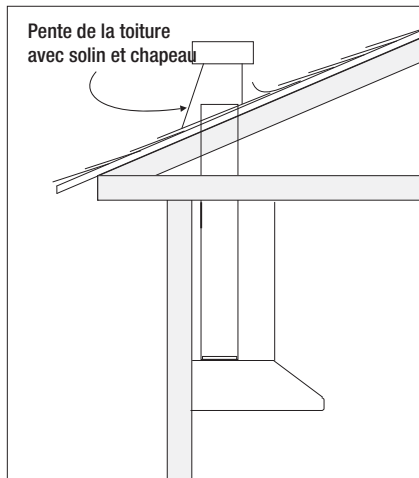
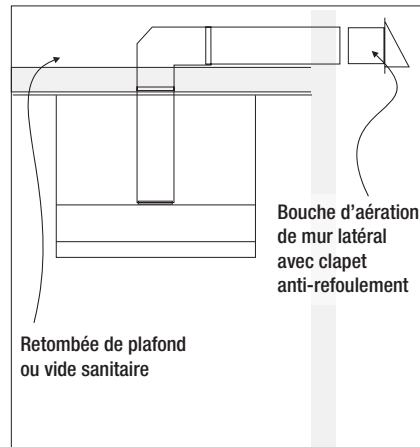
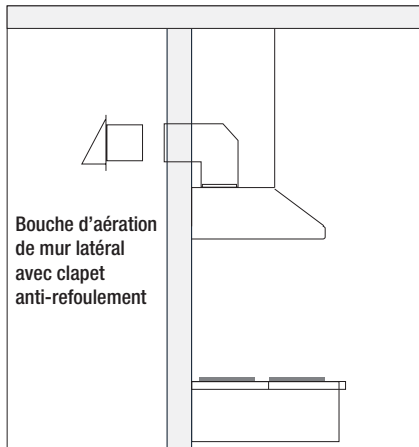
AVERTISSEMENT DE RISQUES D'INCENDIE

N'évacuez ou ne terminez JAMAIS l'échappement du conduit dans les espaces entre les murs, les vides sanitaires, le plafond, le grenier, ou le garage. Tous les échappements doivent être dirigés à l'extérieur de la maison.

Utilisez des conduits d'aération en métal seulement.

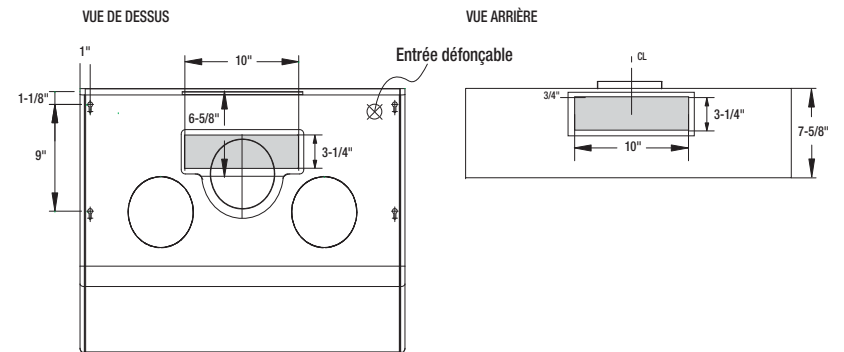
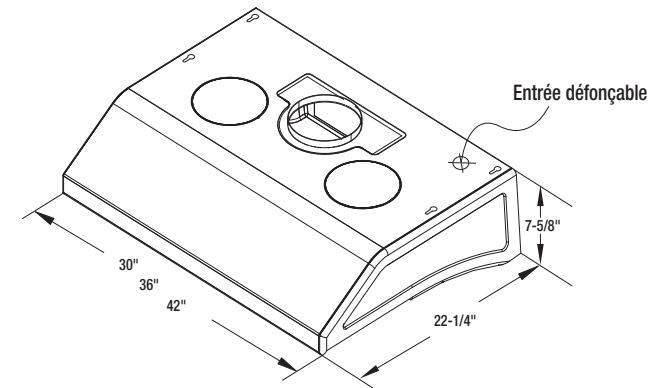
Fixez toutes les pièces du conduit à l'aide de vis à tôle et isolez tous les joints à l'aide de ruban à conduit ou ruban réflecteur certifiés.

Quelques options de configuration pour le conduit:



INSTALLATION

SPÉCIFICATIONS



INSTALLATION

MONTAGE DE LA HOTTE

ÉLECTRICITÉ

AVERTISSEMENT

Tous les travaux électrique doivent être effectués par un électricien qualifié ou une personne avec l'expérience technique et le savoir-faire nécessaire.

Pour votre sécurité, enlevez le fusible ou ouvrez le disjoncteur de circuit avant de commencer l'installation.

N'utilisez pas de cordon prolongateur ou de fiche d'adaptation avec cet électroménager.

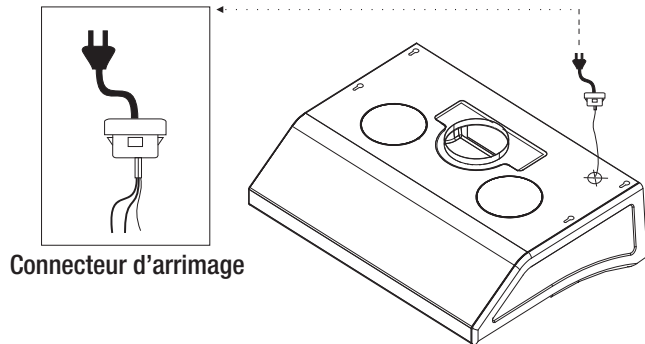
Suivez les normes électriques nationales ou locales en vigueur.

Alimentation électrique:

Cet appareil requiert une alimentation électrique de 120V 60Hz et doit être connecté à un circuit terminal individuel et dûment mis à terre, protégé par un disjoncteur de circuit ou un fusible temporisé de 15 ou 20 ampères. Le câblage doit compter 2 fils avec mise à terre. Veuillez vous référer au Diagramme Électrique étiqueté sur le produit.

Connecteur d'arrimage:

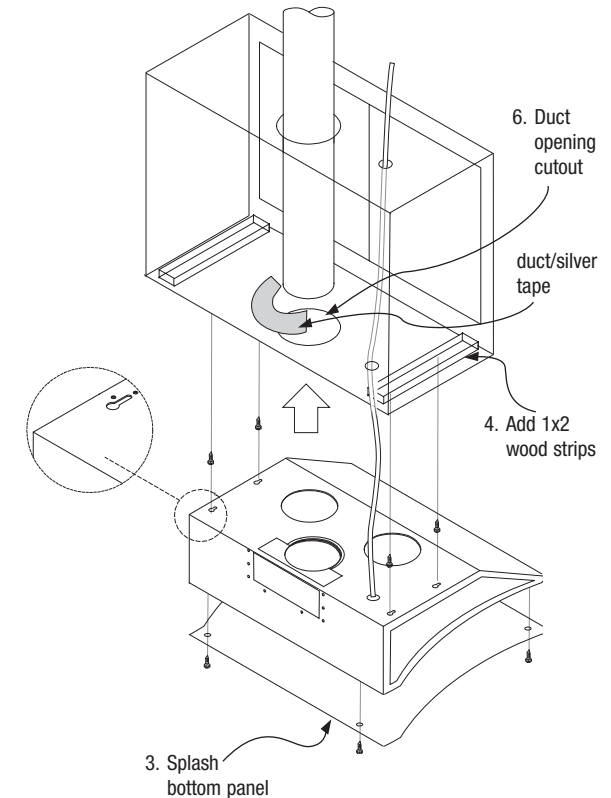
Un connecteur d'arrimage (non inclus) pourrait également être exigé par les normes et réglementations locales. Informez-vous des exigences et des normes locales. Achetez et installez le connecteur approprié si nécessaire.



INSTALLATION

MONTAGE DE LA HOTTE

1. Cette hotte s'installe sous une armoire de cuisine.
2. Choisissez l'endroit où vous voulez installer le conduit d'aération (sur le dessus ou à l'arrière). Voir page 6 et 7 pour les options de configuration du conduit.
3. Commencez l'installation en dévissant les vis pour enlever temporairement le pare-éclaboussures.
4. Renforcez la base de l'armoire à l'aide de frises de bois de 1x2 si un renforcement supplémentaire est nécessaire.
5. Placez temporairement la hotte à l'emplacement de montage désiré. Mesurez et marquez avec un crayon les trous pour le montage du conduit et des emplacements électriques.
6. Percez et coupez les ouvertures requises pour l'électricité et le conduit d'aération. Assurez-vous que l'ouverture pour le conduit doit suffisamment large pour appliquer le ruban adhésif.
7. Fixez la hotte à l'armoire avec les vis et rondelles fournies.
8. Installez l'électricité.
9. Installez le conduit d'aération et le ruban adhésif en toile.
10. Réinstallez le pare-éclaboussures.
11. Mettez la hotte en marche et assurez-vous qu'il n'y ait pas de fuite d'air autour des sections scellées avec le ruban adhésif en toile.



INSTALLATION

OPTIONS DE CONFIGURATION

Cette hotte est pourvue en option d'un débouché vertical de 6", d'un débouché vertical de 3/4" x 10" ou d'un débouché arrière de 3/4" x 10". Les accessoires supplémentaires sont disponibles pour convertir l'appareil selon l'une des méthodes de débouché mentionnées.

Options de Configuration

Débouché vertical rond de 6"

Débouché vertical de 3 1/4"x10"

Débouché arrière horizontal de 3 1/4"x10"

Accessoires de Configuration

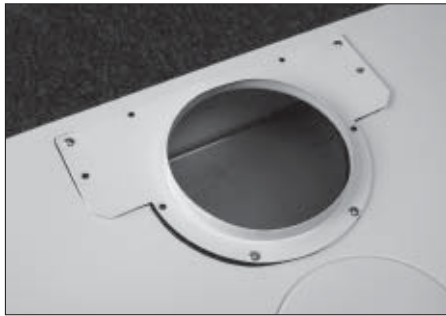
Adaptateur de rond à rectangle

Adaptateur de rectangle à rond (pré-monté)

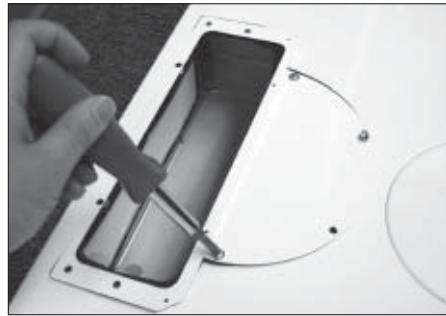
Profil de calfeutrement (pré-monté)

Collier de fixation principal de 3/4" x 10"

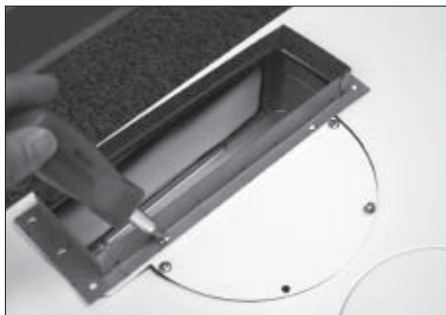
Débouché vertical de 3/4" x 10"



1. Retirez l'adaptateur de 6" pré-monté à l'ouverture du conduit. Laissez le profil de calfeutrement fixé à son emplacement original.



2. Placez l'adaptateur rectangulaire sur le profil de calfeutrement tel qu'indiqué sur l'image et fixez les 4 vis de la section en demi-lune.



3. Installez le collier de fixation principal de 3/4" x 10" sur l'adaptateur avec les vis restantes.

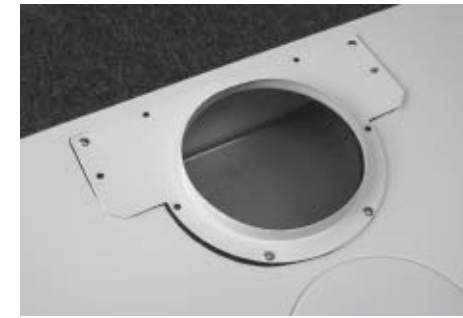
INSTALLATION

OPTIONS DE CONFIGURATION

Débouché arrière de 3/4" x 10"



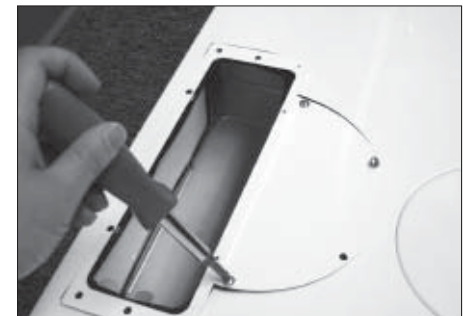
1. Retirez toutes les vis du couvercle rectangulaire arrière pré-monté et enlevez le couvercle situé à l'arrière de la hotte.



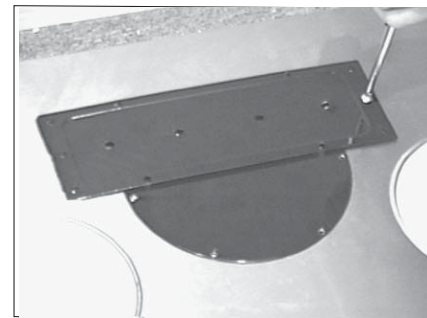
2. Enlevez l'adaptateur pré-monté sur la partie supérieure de l'appareil.



3. Enlevez les deux déviateurs d'air de l'ouverture de la partie supérieure de la hotte tel qu'indiqué.



4. Fixez l'adaptateur rectangulaire à l'ouverture de la partie supérieure de la hotte.



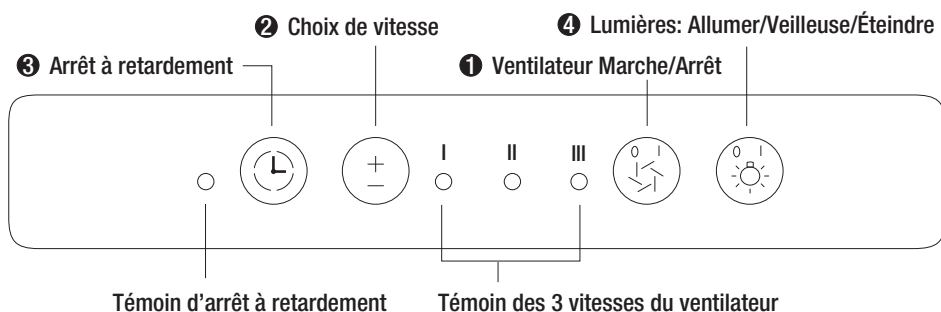
5. Fixez la plaque rectangulaire préalablement enlevée sur l'adaptateur.




6. Installez le collier de fixation principal (fourni) à l'ouverture du débouché arrière.

COMMANDES


COMMANDES (Modèles AK2500, AK2536)



1 Ventilateur Marche/Arrêt

Le ventilateur est mis en marche ou arrêté en pesant sur le bouton .




2 Choix de vitesse

Choisissez entre trois vitesses différentes en pesant sur . Le témoin lumineux indique quelle vitesse a été choisie.

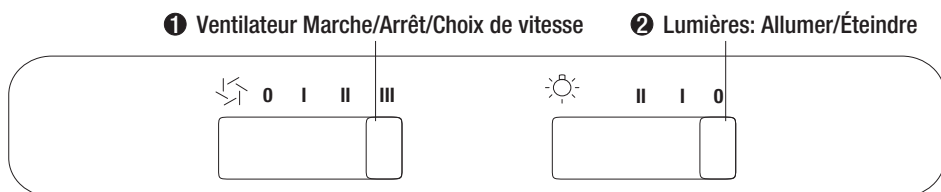
3 Arrêt à retardement

Ce bouton est utilisé pour programmer l'arrêt automatique de ventilateur et des lumières 5 minutes après son activation. Appuyez sur  une fois. Le témoin lumineux clignotera pour vous indiquer que la fonction est activée. La hotte s'arrêtera complètement après 5 minutes.

4 Lumières: Allumer/Veilleuse/Éteindre

Allumez les lumières en pesant sur le bouton . Pour mettre les lumières à basse intensité (veilleuse) appuyez sur  une autre fois. Pesez une troisième fois sur  pour éteindre les lumières.

COMMANDES (Modèles AK6500, AK6536, AK6542)



1 Ventilateur Marche/Arrêt/Choix de vitesse

Cet interrupteur allume et éteint le ventilateur et permet d'en choisir la vitesse. À 0 il est arrêté, I à la vitesse lente, II à la vitesse moyenne et III à la vitesse maximale.

2 Lumières: Allumer/Éteindre

Allumez (I) ou éteignez (0) la lumière avec cet interrupteur.

NETTOYAGE ET ENTRETIEN

AUTONETTOYAGE

Utilisation de l'autonettoyage:



AVERTISSEMENT: N'utilisez que des nettoyeurs anti-graisse non-corrosifs & non-abrasifs. N'UTILISEZ PAS DE NETTOYANTS À FOUR.

Les modèles hotte AK6500, AK6536, AK6542, AK2500 et AK2536 sont conçues avec une option d'autonettoyage. Le système de ventilation centrifuge liquéfie automatiquement la graisse accumulée dans la structure intérieure de l'appareil et dépose les résidus dans les contenants à nettoyage. Cependant, la graisse résultant de la cuisson pourrait également s'assécher et coller à la structure intérieure. L'utilisation régulière de la fonction autonettoyante repoussera la graisse dans la structure intérieure de l'appareil.

Fréquence de nettoyage:

Le nettoyage devrait se faire approximativement une fois par mois dans des conditions normales d'utilisation.

Détergent:

Les détergents non-corrosifs et non-abrasifs anti-graisse sont recommandés.

Autonettoyage:

Allumez le ventilateur à la vitesse la plus lente pour effectuer le nettoyage.

À travers la grille de sûreté, vaporisez les lames du ventilateur de 10 à 15 fois avec du détergent.

Laissez fonctionner l'autonettoyage pendant 5 minutes puis éteignez le ventilateur.

Retirez les contenants à nettoyage. Nettoyez avec du détergent doux ou avec le cycle de nettoyage normal de votre lave-vaisselle.

(Si désiré, répétez les étapes antérieures avec de l'eau pour rincez le détergent.)



ENTRETIEN

LUMIÈRES

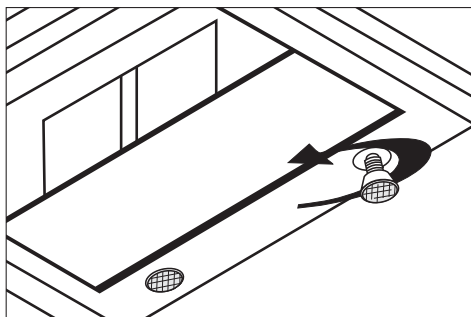
Remplacement des ampoules

ATTENTION: Les ampoules deviennent extrêmement chaudes lorsque allumées. Veuillez **NE PAS** les toucher avant de les avoir éteintes et laissées refroidir. Le contact avec les ampoules chaudes pourrait causer de sérieuses brûlures.

Assurez-vous que l'alimentation électrique soit coupée et que les ampoules ne soient pas chaudes.

Retirez les ampoules en les tournant dans le sens contraire des aiguilles d'une montre.

Lorsqu'il est difficile de retirer les ampoules après un usage prolongé, fixez une ventouse équivalant approximativement au diamètre de l'ampoule et tournez.



Les ampoules de remplacement sont disponibles dans les magasins spécialisés en éclairage.

AK6536, AK 6542

Type: Ampoules électriques mini-flood 40R 14.

AK2500, AK 2536

Type: Ampoules halogènes GU 10.

Ou pour commander des ampoules, veuillez contactez notre centre de service: 888-880-8368 ou notre magasin pour pièces en ligne: www.zephyronline.com

GARANTIE

POUR OBTENIR DU SERVICE SOUS GARANTIE:
Vous devez avoir une preuve originale de la date d'achat.
Veuillez garder une copie de votre preuve d'achat datée (facture)
pour obtenir des services sous garantie.

Garantie de Service de Réparation d'Un An:

Garantie d'un an à partir de la date d'achat. Nous offrirons un service de réparation sans frais pour toutes les pièces ou éléments défectueux dont le mal fonctionnement est dû à un défaut de fabrication.

Garantie de Deux Ans sur les Pièces:

Garantie de dix ans à partir de la date d'achat. Nous fournirons sans frais les pièces et éléments non-consommables dont le mal fonctionnement est dû à un défaut de fabrication. Les pièces consommables qui ne sont pas couvertes par cette garantie sont les ampoules électriques, les filtres à charbon et les filtres en métal.

Qui est Couvert:

Cette garantie s'applique aux acheteurs originaux des produits achetés pour une utilisation personnelle normale dans les 48 états du territoire principal américain ainsi que dans les états d'Hawaii et de Washington D.C. **Au Canada et en Alaska, cette garantie est limitée.** Il pourrait y avoir des frais pour la livraison des produits à nos points de service et vous pourriez avoir à déboursier les frais de voyage du technicien pour que l'appareil soit réparé à votre domicile.

Cette Garantie est Annulé lorsque:

Le produit est endommagé suite à une négligence, un mauvais usage, un abus ou un accident. L'installation a été faite incorrectement et les instructions d'installation n'ont pas été respectées. Le produit est utilisé à des fins commerciales ou autrement que son usage souhaité par le fabricant. Les dommages sont le résultat d'une connexion incorrecte avec le matériel d'autres fabricants. La réparation est effectuée par une personne qui ne fait pas partie des Agents Autorisés de Zephyr.

Ce qui n'est pas Couvert:

Les pièces consommables comme les ampoules électriques, les filtres et les fusibles. Les services hors de la zone de service et les coûts de main-d'œuvre contractés lors de la déinstallation, de la livraison et de la réinstallation. La garantie ne couvre pas non plus toute autre dépense imprévue. L'usure naturelle du fini, l'usure due à un entretien inadéquat, l'usage de produits nettoyants corrosifs ou abrasifs, de produits de nettoyage pour le four ou de laines d'acier. Les éclats, entailles ou craques dus à un abus, mauvais usage, dommages de transport ou installation inadéquate. Les voyages de service à votre domicile pour vous montrer comment utiliser l'appareil. Les dommages causés par un accident, un incendie, une inondation ou un cas fortuit.

Cette garantie est valide au États-Unis et au Canada. Elle est incommutable et s'applique uniquement à l'acheteur original et ne se prolonge pas aux propriétaires subséquents de ce produit. Toutes les garanties impliquées, dont la garantie de qualité marchande, sont limitées à la période de temps de la garantie formelle stipulée ci-dessus et commence avec la date d'achat au détail initiale. Aucune garantie, formelle ou sous-entendue, ne s'appliquera à ce produit par la suite.

POUR OBTENIR DU SERVICE SOUS GARANTIE

Ou pour toute question liée au service,
veuillez contacter le:

1-888-880-8368

Ayez la preuve d'achat de votre produit avec date pour l'application de la garantie.

Ou écrivez à:

**Zephyr Corporation
Service and Warranty Department
395 Mendell Street
San Francisco, CA 94124**