

Before installing baffle filters into your Power Pack the light panels must be re-positioned.

Light Panel Conversion

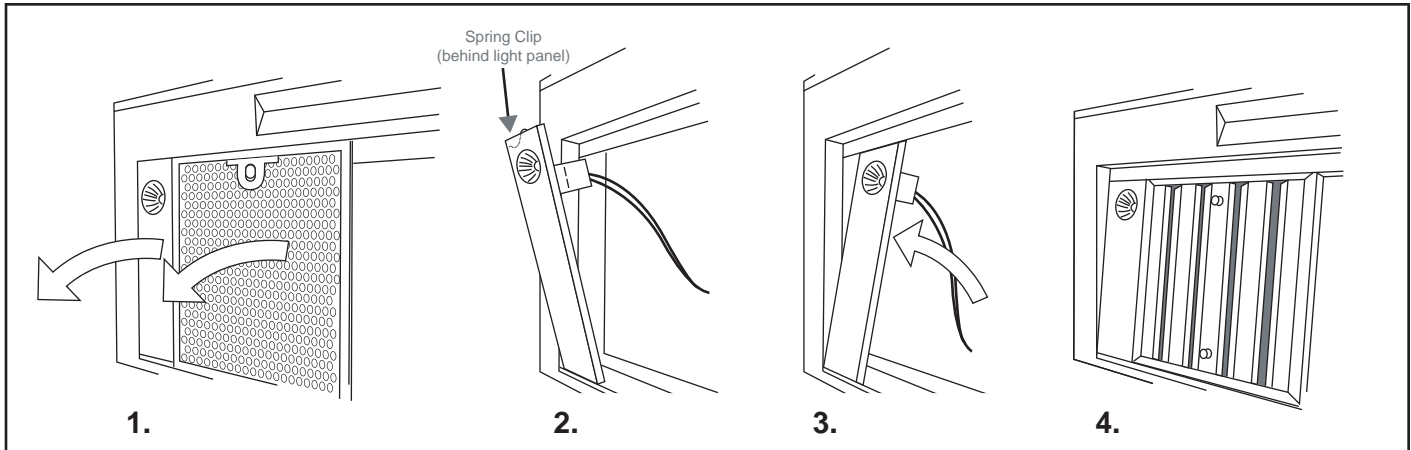


FIG 1

1. Light panel is flush with the bottom of the Power Pack. Remove decorative mesh filter.
2. Remove each light panel by pressing down on the spring clip behind the top of the light panel. Pull light panel out.
3. Position top of light panel into the Power Pack and pivot up. Lock light panel in place so it is angled inwards.
4. Light panel shown is angled inwards. Install baffle filters.

Baffle Filter Installation

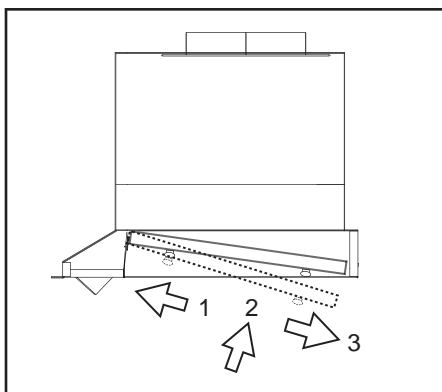


FIG 2

1. Insert baffle filter as shown into front of Power Pack frame.
2. Pivot baffle filter up so it is angled in the Power Pack.
3. Push baffle filter towards wall to lock into place.