

Viking Installation Guide



Viking Range Corporation

111 Front Street

Greenwood, Mississippi 38930 USA

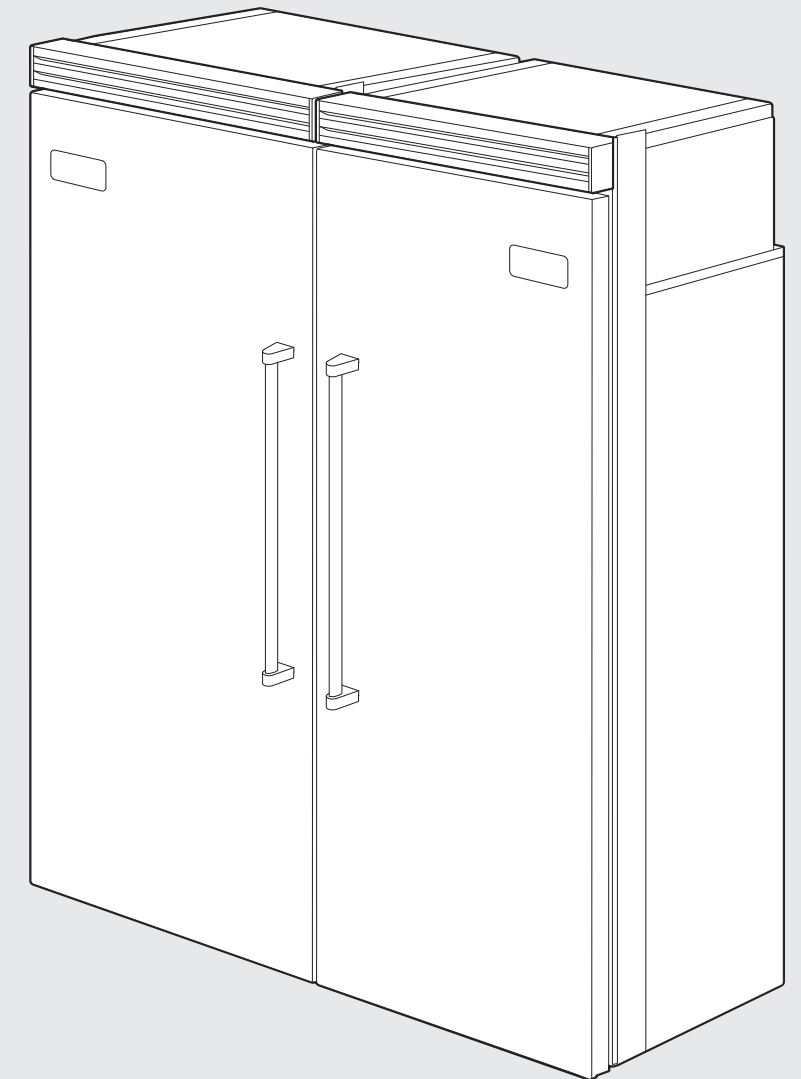
(662) 455-1200

For product information,

call 1-888-VIKING1 (845-4641)

or visit the Viking Web site at

vikingrange.com



Built-In Refrigeration Top Grille Installation
(Dual Installation)

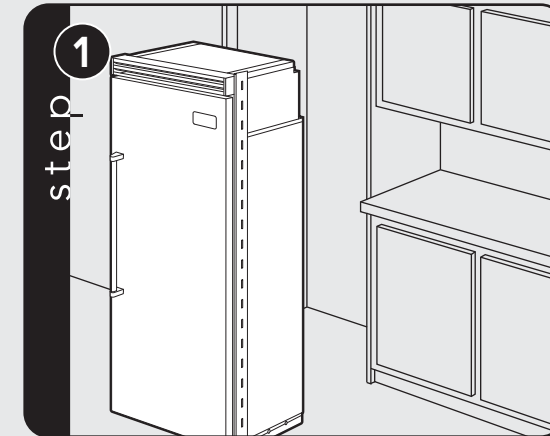


Grille Kit Components

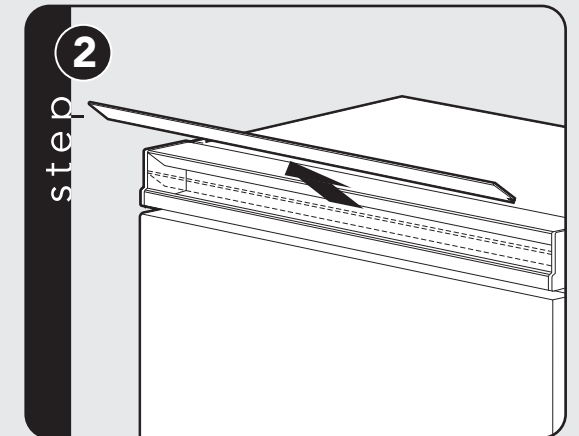
NOTE: These instructions include information on how to remove the current grilles and re-install the grille kits. For information on dimensions, specifications and refrigerator installation, please refer to the Installation Guides included with the refrigerators.

1. Grille Assembly (1)
2. "Z" shaped side trim (1)
3. "J" shaped center trim (1)
4. Side trim screws (12)
5. Center trim screws (8)

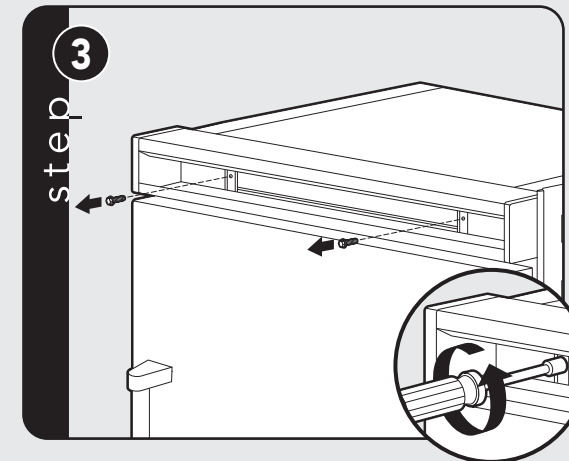
Grille Removal



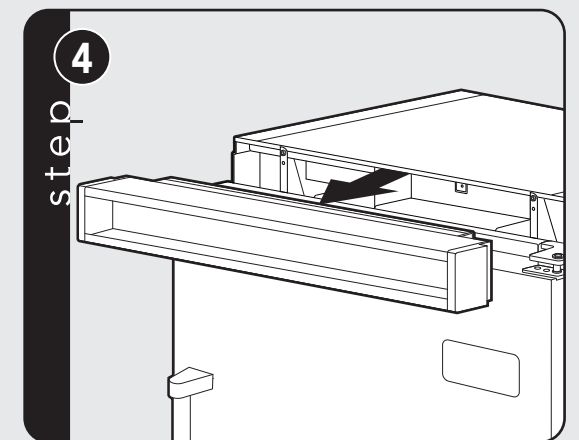
Place both units in front of cutout.



Pull the center grille louver up at an angle and pull out.



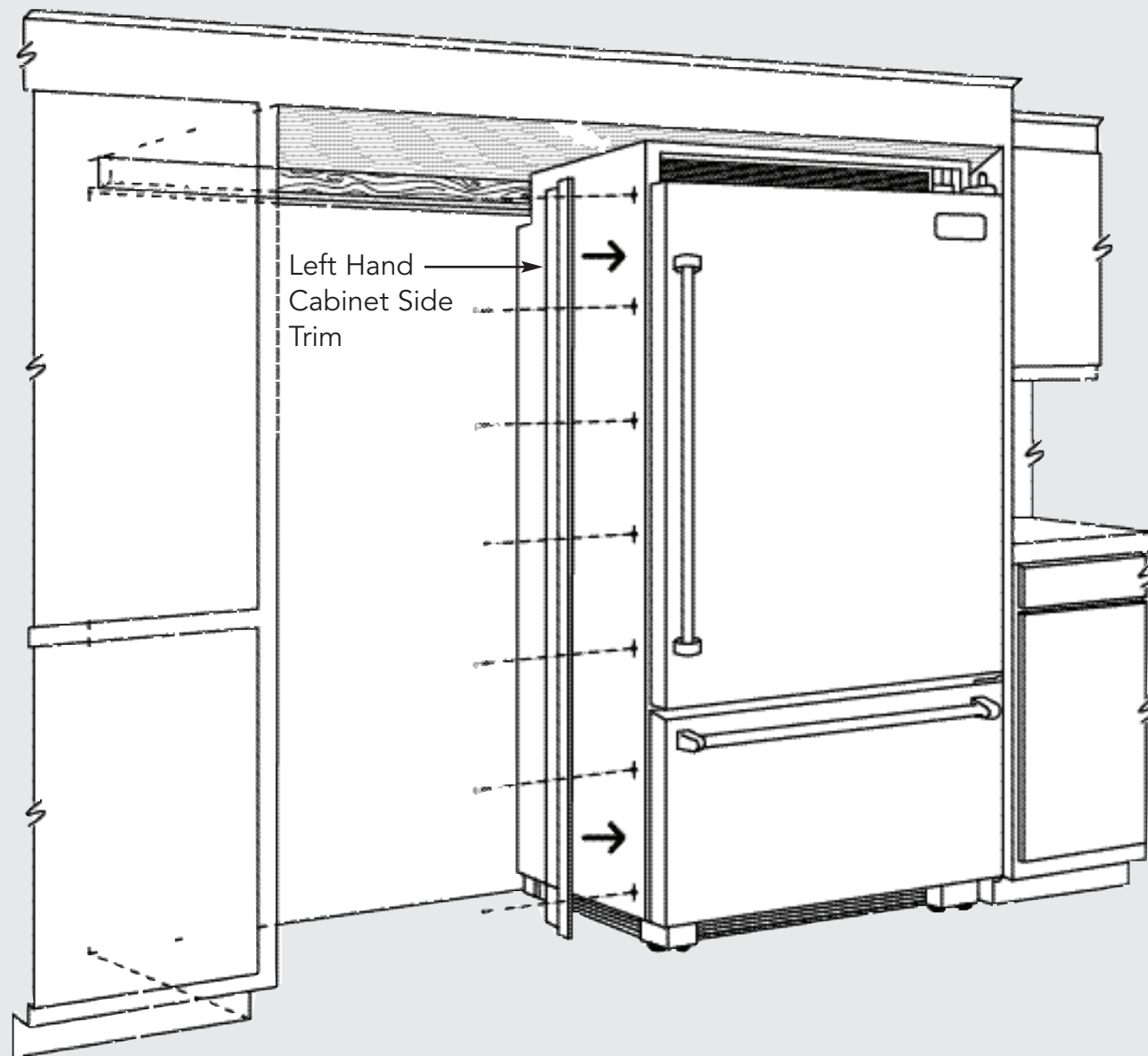
Using an 8" magnetic nut driver, remove the two 1/4" screws from each grille. Retain the screws for installation of the new grille kit.



Remove grille assemblies.

Side Trim Installation - Professional Models

- Remove cabinet side trim mounted on the left hand side of the refrigerator to be installed on the right side of the installation. Replace with the "Z" shaped side trim provided in the grille kit using the 12 screws included with the grille kit.



Side Trim Installation - Professional Models

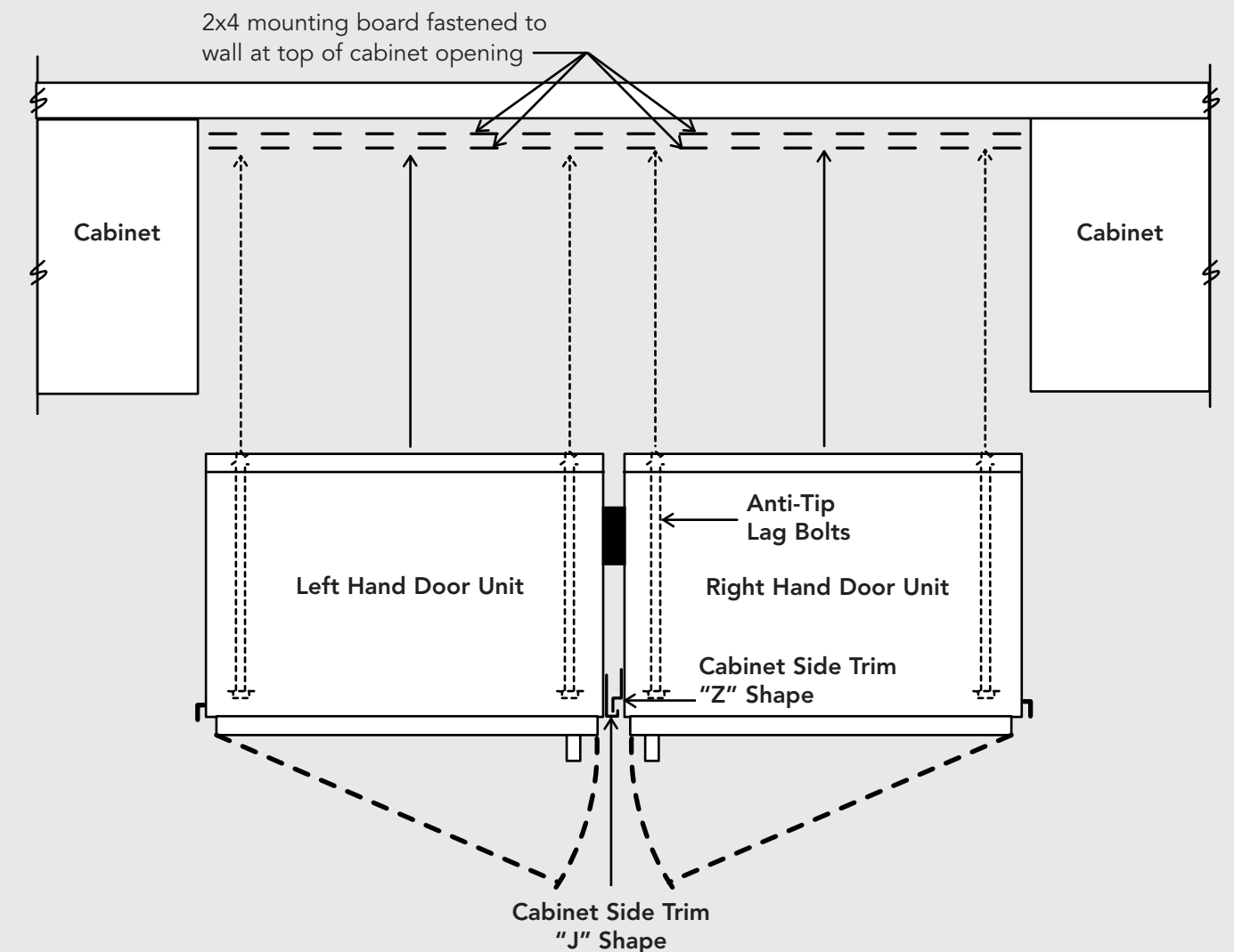
- Engage the right hand refrigerator's left side trim into the "J" shaped portion of the left side refrigerator's right side trim.
- Finish unit installation according to installation instructions provided in each unit.

NOTE: Professional models ship with standard mount cabinet side trim attached to both sides. For standard installations, leave the cabinet side trims attached to the right side of the refrigerator to be installed on the right and the left side of the refrigerator to be installed on the left.

OR

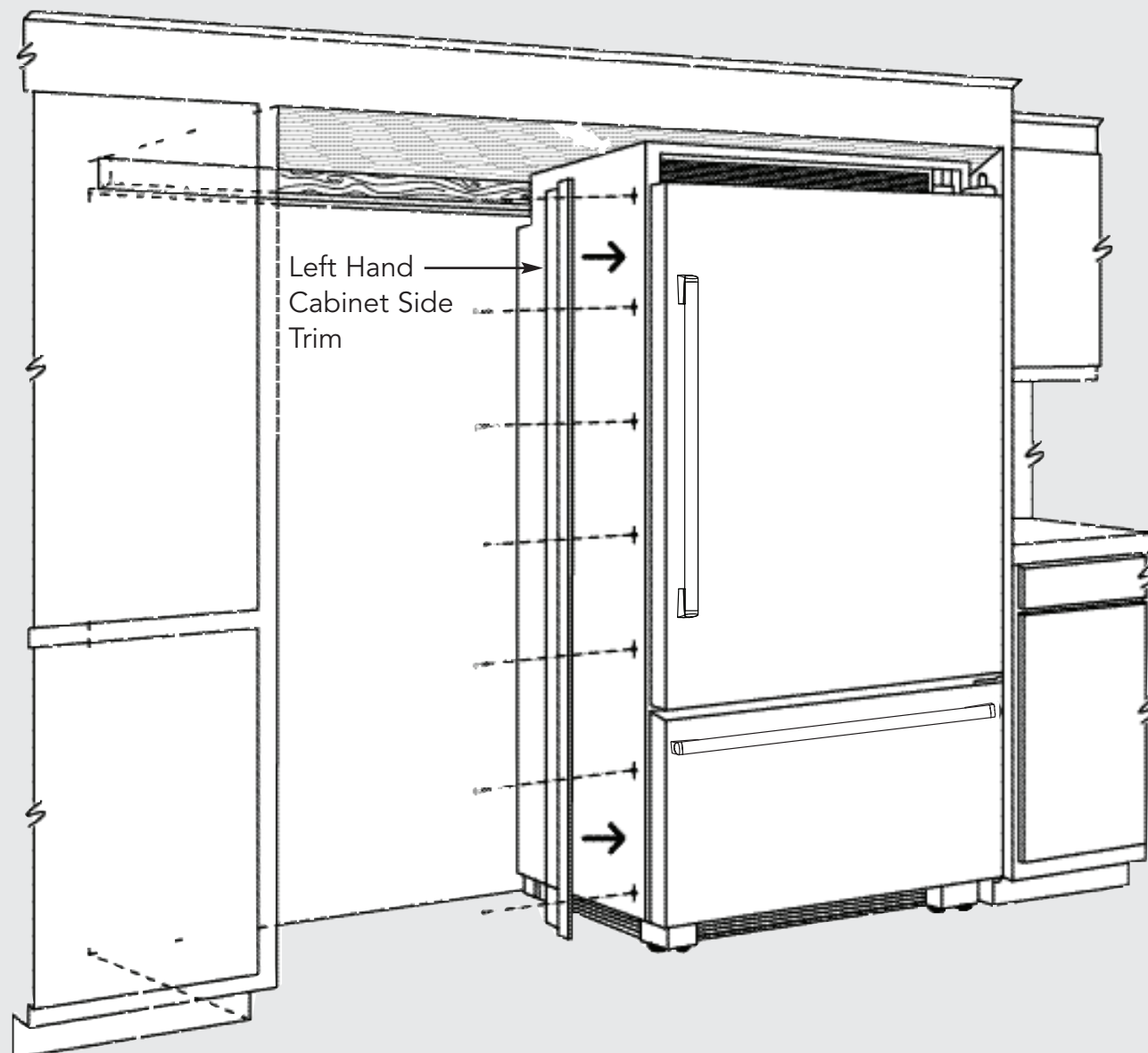
For flush installations, replace the cabinet side trims attached to the right side of the refrigerator to be installed on the right and left side of the refrigerator to be installed on the left with the flush mount side trim included in the boxes attached to the backs of the refrigerators.

NOTE: Cutouts are different for standard and flush installations. Please refer to Installation Guide included with refrigerators for more complete dimension and specification information.



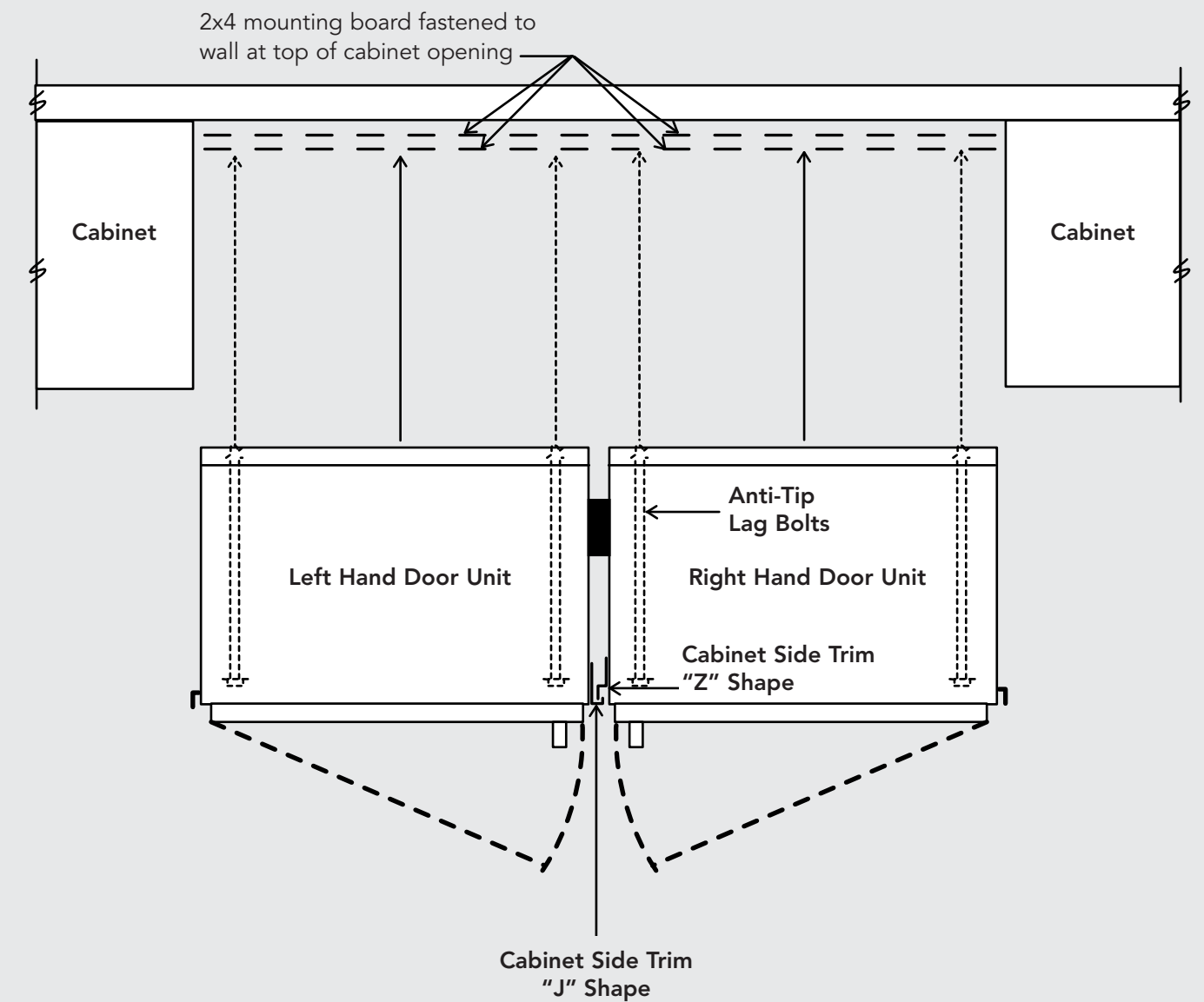
Side Trim Installation - Custom Panel Models

- Remove cabinet side trim mounted on the left hand side of the refrigerator to be installed on the right side of the installation. Replace with the "Z" shaped side trim provided in the grille kit using the 12 screws included with the grille kit.
- Remove cabinet side trim mounted on the right side of the refrigerator to be installed on the left side of the installation. Replace with the "J" shaped side trim provided in the grille kit using the 8 screws included with the grille kit.



Side Trim Installation - Custom Panel Models

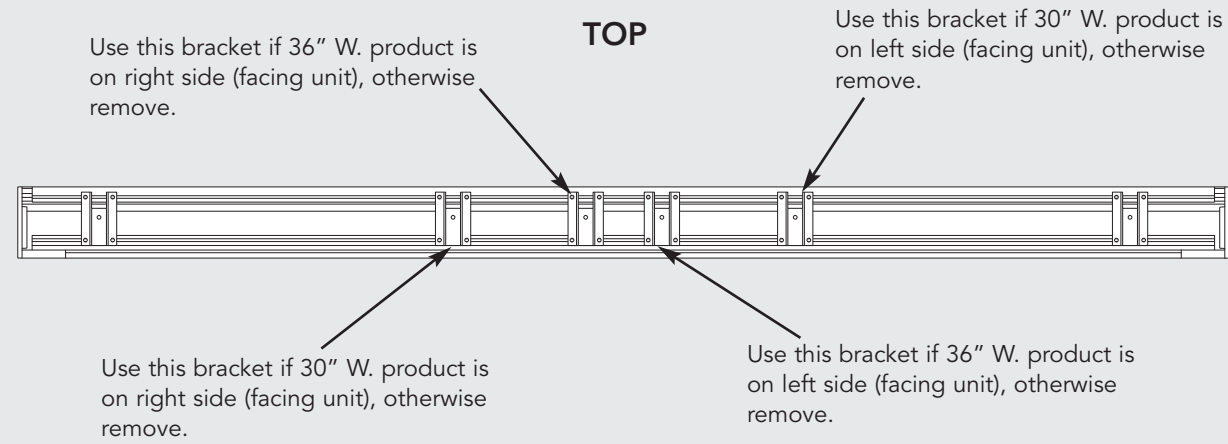
- Engage the right hand refrigerator's left side trim into the "J" shaped portion of the left side refrigerator's right side trim.
- Finish unit installation according to installation instructions provided in each unit.



Grille Assembly Bracket Placement - Professional Models

For 66" grille, excluding Custom Panel, Add/Remove brackets to full length grille as required. See illustration below.

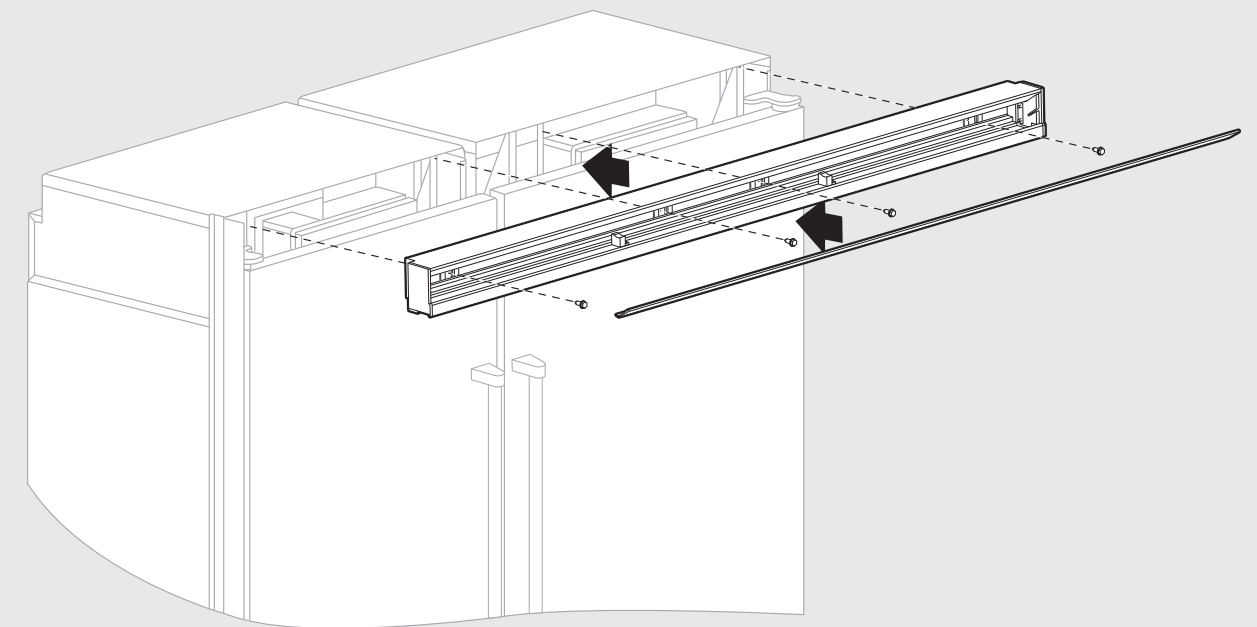
66" Grille (back view)



***NOTE:** Depending on unit configuration, two brackets should be removed and discarded. The 72" W. and 60" W. grille assemblies have all four (4) brackets mounted in the proper location.

Grille Assembly Install - Professional Models

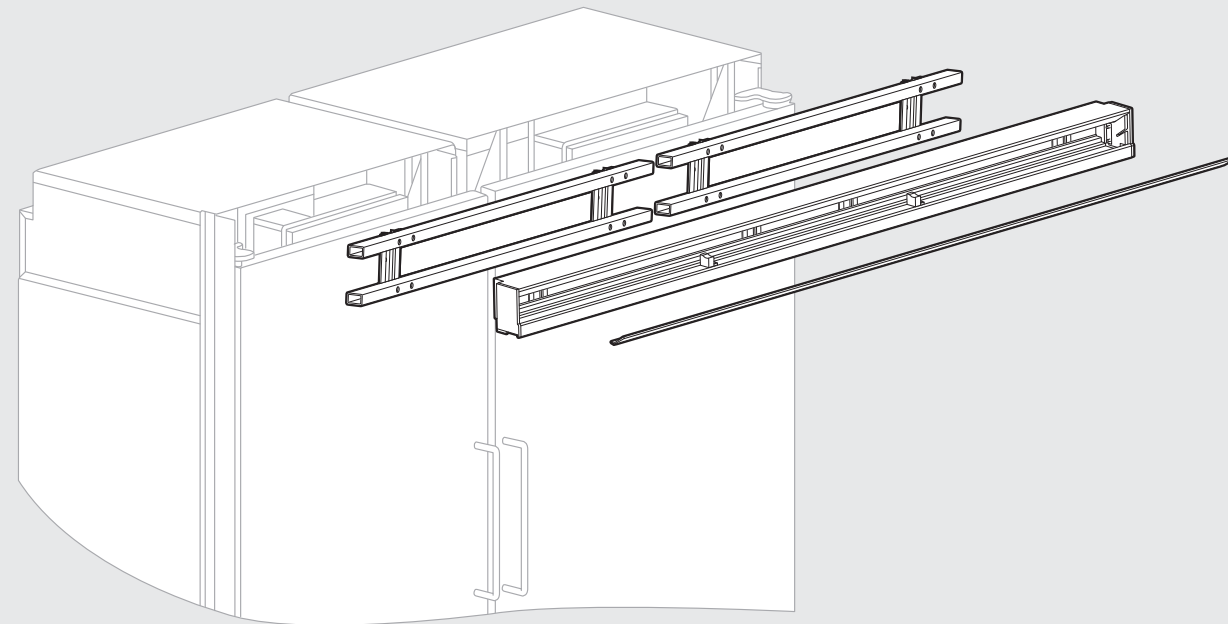
- Remove center grille blade by lifting up and pulling forward.
- Insert grille into refrigerators. Screw grille assembly into units with (4) screws removed in Step 3 (See Grille Removal Section).



Grille Assembly - Custom Panel Models

On Custom Panel models, grill spacers from original unit grilles must be reused:

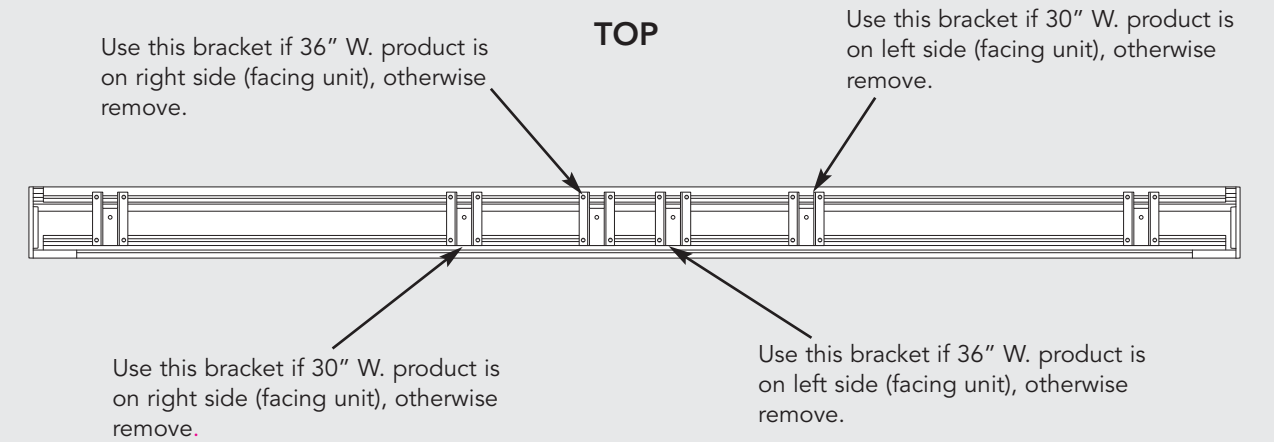
- Remove grille brackets from grille included in the grille kit by removing 4 screws on each grille bracket located on the back of the grille assembly.
- Remove grille brackets and spacers from original unit grilles by removing 4 screws on each grille bracket located on the back of each grille assembly.
- Install grille brackets and spacers from original unit grilles onto grille from the kit using the original grille hardware. **Important:** The spacers must be oriented on the new grille the same way they were on the original grille. Also, remember to install the spacers on the corresponding side of the installation (if installing a unit on the left side of an installation, its grille spacers should be installed on the left side of the unified grille.)



Grille Assembly Bracket Placement - Custom Panel Models

For 66" grille, excluding Custom Panel, Add/Remove brackets to full length grille as required. See illustration below.

66" Custom Grille (back view)



***NOTE:** Depending on unit configuration, two brackets should be removed and discarded. The 72" W. and 60" W. grille assemblies have all four (4) brackets mounted in the proper location.

Grille Assembly Install - Custom Panel Models

- Remove center grille blade by lifting up and pulling forward.
- Insert grille into refrigerators. Screw grille assembly into units with (4) screws removed in Step 3 (See Grille Removal Section).

