

## FEATURES

- Four design options: framed, overlay, flush inset and stainless steel.
- Dual refrigeration system ensures the freshest food and energy efficiency.
- Electronic microprocessor constantly monitors entire unit to ensure proper food storage environment.
- Air purification system reduces odors, bacteria, viruses and ethylene gas.
- Advanced water filtration system.
- Illuminated touch control panel.
- Bright interior lighting throughout, including storage drawer area.
- Adjustable door shelves, spill-proof glass refrigerator shelves, dairy compartment and wire freezer shelves.
- Crisper and deli drawers form a lower-temperature zone ideal for produce and meats.
- Soft-close glide system on refrigerator storage drawers.
- Easy-access flip-up grille.
- Informational freshness cards.
- Automatic ice maker provides crescent-shaped ice—max ice feature increases production for a 24-hour period.



## MODEL OPTIONS

## OVERLAY

Framed, overlay, flush inset	BI-42S/O
------------------------------	----------

## STAINLESS STEEL

Tubular handles	BI-42S/S/TH
Pro handles	BI-42S/S/PH

## INTERIOR FEATURES

## REFRIGERATOR

- 4 Adjustable glass shelves
- 1 Stationary glass shelf
- 1 High-humidity drawer with divider
- 2 Storage drawers with divider
- 3 Adjustable door shelves
- 2 Stationary door shelves
- Adjustable dairy compartment

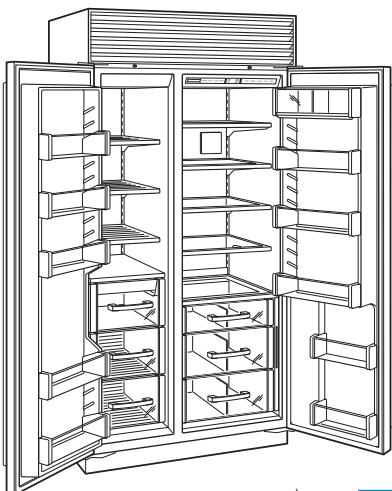
## FREEZER

- 3 Adjustable wire shelves
- 1 Stationary solid shelf
- 3 Storage drawers
- 5 Adjustable door shelves
- Automatic ice maker

## ACCESSORIES

- Grilles for 83" or 88" finished height (84" is standard).
- Framed front panels in white or stainless steel.
- Flush inset panels in stainless steel with tubular or pro handles.
- Custom front panel mounting kit.
- Side panel in white or stainless steel.
- Stainless steel tubular and pro handles.
- Full-length standard and extended framed handles.
- Stainless steel kickplate.
- Retrofit kit for 600 series panels.
- Dozen egg container.
- Replacement air purification cartridge and water filter.

Accessories available through an authorized Sub-Zero dealer. For local dealer information, visit the find a showroom section of our website, [subzero.com](http://subzero.com).



Excludes  
BI-42S/O.

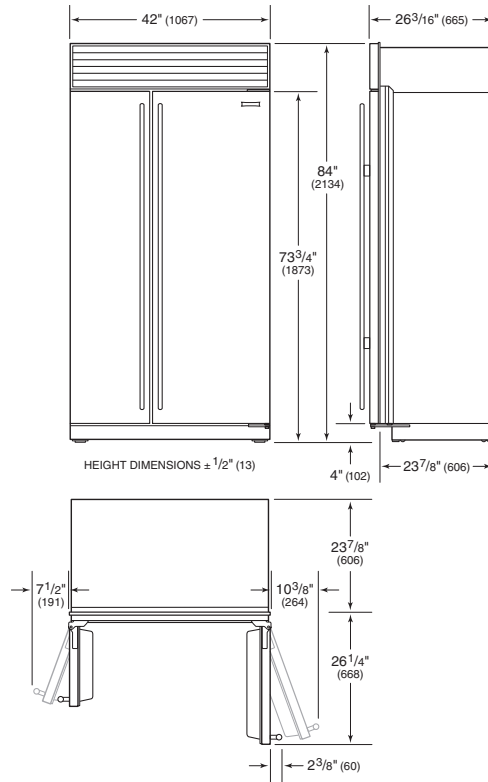
**SPECIFICATIONS**

<b>PRODUCT</b>	
Dimensions	42"W x 84"H x 24"D
Weight	582 lb
<b>CAPACITY</b>	
Refrigerator	16.3 cu ft
Freezer	8.0 cu ft
<b>ELECTRICAL</b>	
Supply Service	115 VAC, 60 Hz 15 amp circuit
<b>PLUMBING</b>	
Supply	1/4" OD copper, braided stainless steel or PEX tubing
Pressure	35-120 psi

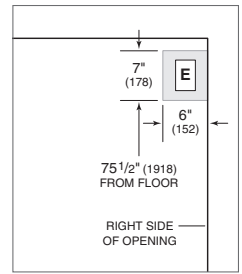
Specifications are subject to change without notice. Visit [subzero.com/specs](http://subzero.com/specs) for the most up-to-date information.

Dimensions may vary ±1/8" (3). Dimensions in parentheses are millimeters unless otherwise specified.

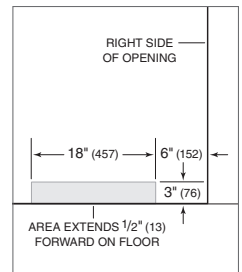
**DIMENSIONS**



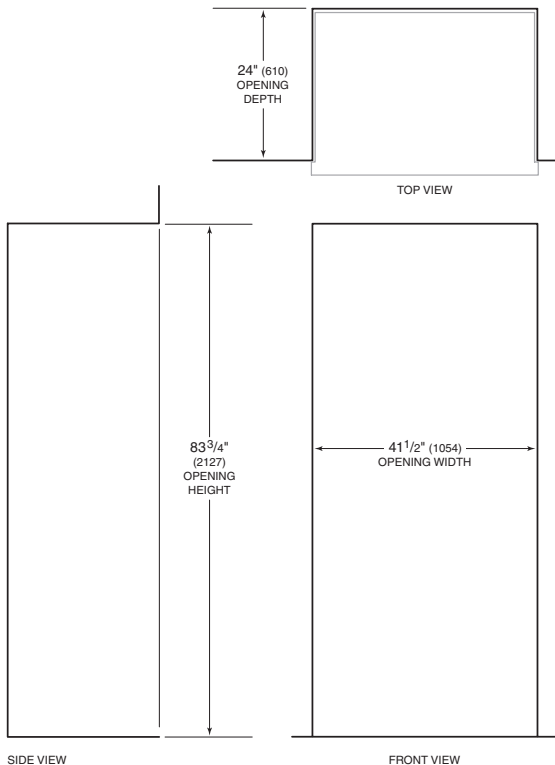
**ELECTRICAL**



**PLUMBING**



**STANDARD INSTALLATION**

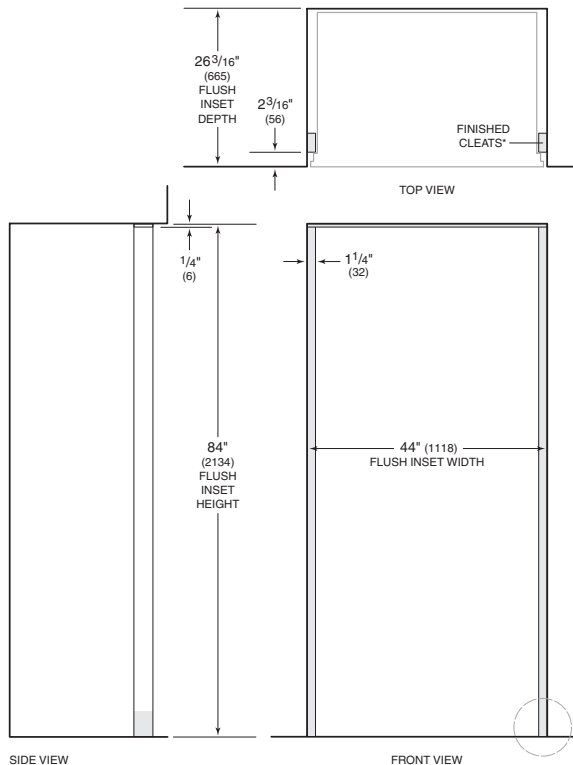


SIDE VIEW

FRONT VIEW

NOTE: Shaded line represents profile of unit.

**FLUSH INSET INSTALLATION**



SIDE VIEW

FRONT VIEW

\*3" (76) typical depth. Shaded areas will be visible and should be finished to match cabinetry.  
NOTE: Shaded line represents profile of unit with 3/4" (19) panel.