

FEATURES

- Two refrigerator storage drawers.
- Custom front panels and hardware allow for infinite design options.
- Point-of-use refrigeration that can be placed anywhere in the home.
- Redesigned sleek, minimalist interior is lit by LEDs to reduce heat.
- Interactive control panel with touch screen and precise temperature control.
- Full-extension storage drawers.
- Smart Grid ready.
- Star-K certified.



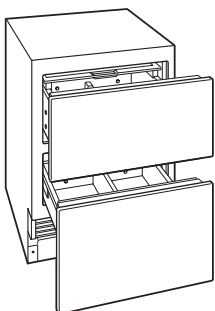
MODEL OPTIONS	
REFRIGERATOR	
Model	ID-27R

INTERIOR FEATURES	
REFRIGERATOR	
Adjustable dividers	

ACCESSORIES

- Stainless steel front panels with tubular or pro handles and 4" or 6" toe kick.
- Stainless steel tubular and pro handles.
- Dual installation kit.
- Dozen egg container.

Accessories available through an authorized Sub-Zero dealer. For local dealer information, visit the find a showroom section of our website, subzero.com.



SPECIFICATIONS	
PRODUCT	
Dimensions	27"W x 34 ¹ / ₂ "H x 24"D
Weight	190 lb
CAPACITY	
Refrigerator	4.6 cu ft
ELECTRICAL	
Supply	115 VAC, 60 Hz
Service	15 amp circuit

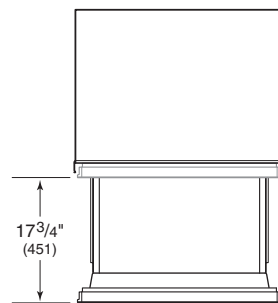
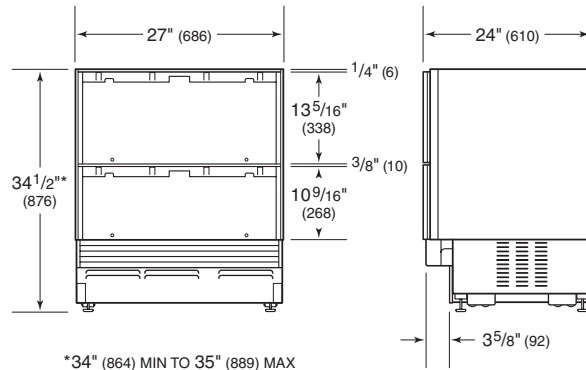
Overall dimensions do not include panels or handles. Dimensions will vary with panel thickness.

The depth of each integrated model is 24". Allow for panel thickness when planning the finished opening depth.

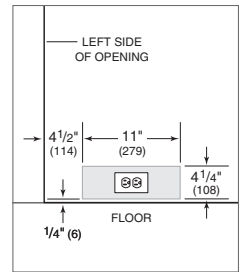
Specifications are subject to change without notice. Visit subzero.com/specs for the most up-to-date information.

Dimensions may vary ±1/8" (3). Dimensions in parentheses are millimeters unless otherwise specified.

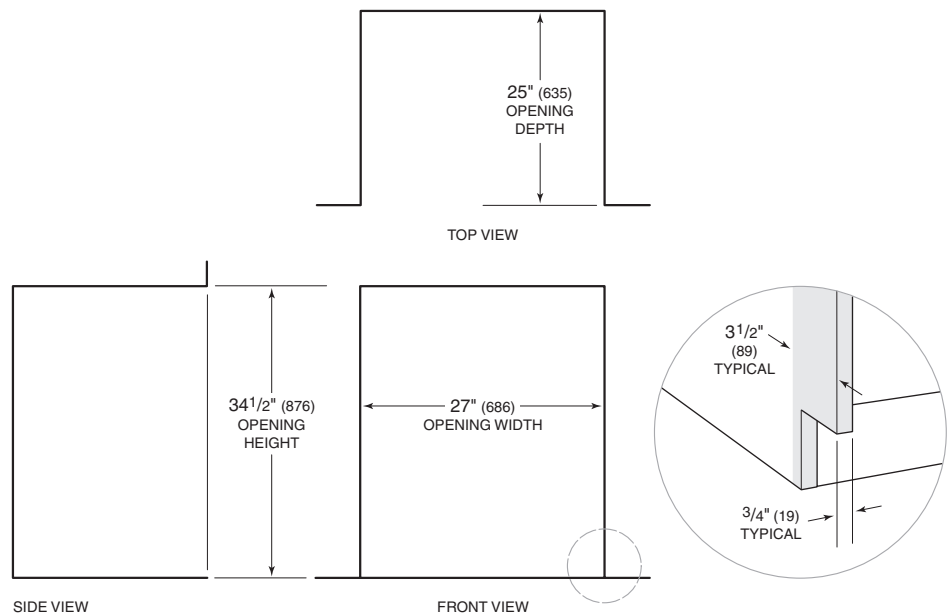
DIMENSIONS



ELECTRICAL



INSTALLATION



NOTE: Shaded areas will be visible and should be finished to match cabinetry.