

FEATURES

- Two refrigerator storage drawers.
- Custom front panels and hardware allow for infinite design options.
- Point-of-use refrigeration that can be placed anywhere in the home.
- Redesigned sleek, minimalist interior is lit by LEDs to reduce heat.
- Interactive control panel with touch screen and precise temperature control.
- Air purification system reduces odors, bacteria, viruses and ethylene gas (model ID-36RP).
- Crisper drawer provides a lower-temperature, higher-humidity freshness preservation zone (model ID-36RP).
- Full-extension storage drawers.
- Sliding crisper cover (model ID-36RP).
- Smart Grid ready.
- Star-K certified.



MODEL OPTIONS

REFRIGERATOR

Air purification	ID-36RP
Without air purification	ID-36R

INTERIOR FEATURES

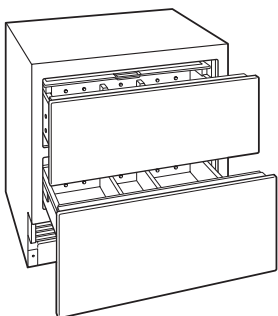
REFRIGERATOR

Adjustable dividers

ACCESSORIES

- Stainless steel front panels with tubular or pro handles and 4" or 6" toe kick.
- Stainless steel tubular and pro handles.
- Dual installation kit.
- Crisper lid.
- Dozen egg container.

Accessories available through an authorized Sub-Zero dealer. For local dealer information, visit the find a showroom section of our website, subzero.com.



SPECIFICATIONS	
PRODUCT	
Dimensions	36"W x 34 ¹ / ₂ "H x 24"D
Weight	250 lb
CAPACITY	
Refrigerator	6.6 cu ft
ELECTRICAL	
Supply	115 VAC, 60 Hz
Service	15 amp circuit

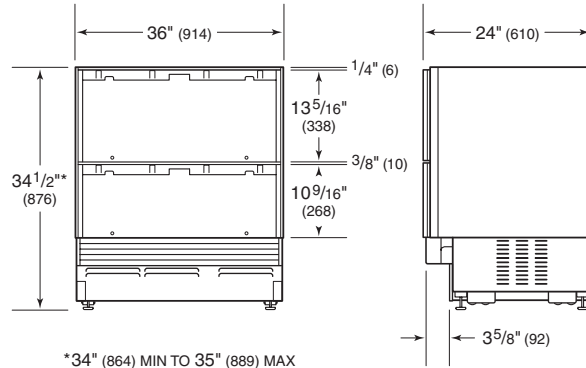
Overall dimensions do not include panels or handles. Dimensions will vary with panel thickness.

The depth of each integrated model is 24". Allow for panel thickness when planning the finished opening depth.

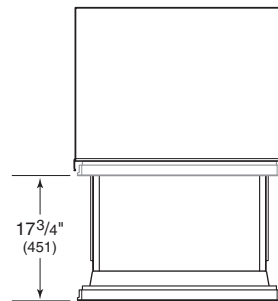
Specifications are subject to change without notice. Visit subzero.com/specs for the most up-to-date information.

Dimensions may vary ±1/8" (3). Dimensions in parentheses are millimeters unless otherwise specified.

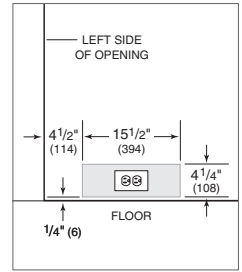
DIMENSIONS



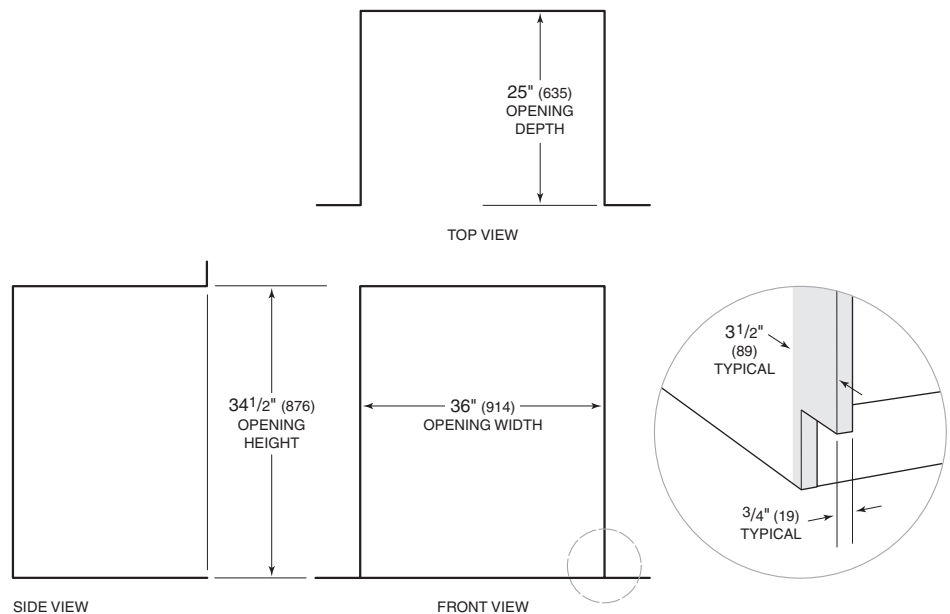
*34" (864) MIN TO 35" (889) MAX



ELECTRICAL



INSTALLATION



NOTE: Shaded areas will be visible and should be finished to match cabinetry.