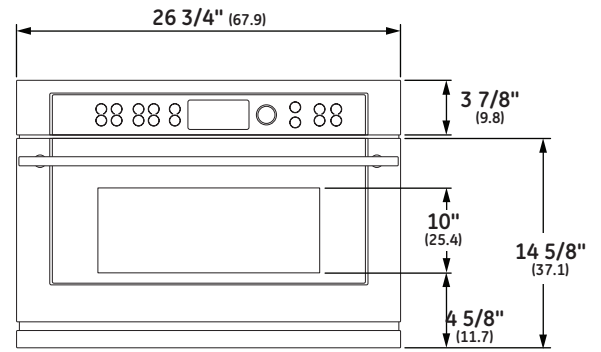




OVERALL DIMENSIONS

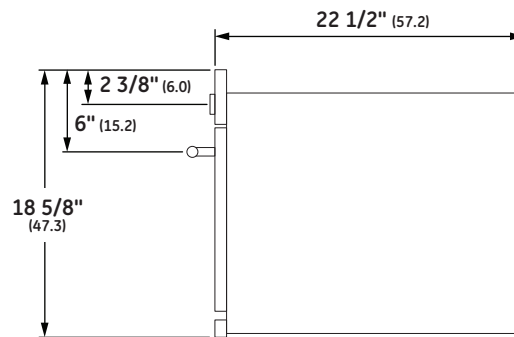


FRONT VIEW (SHOWING CUTOUT OVERLAP)

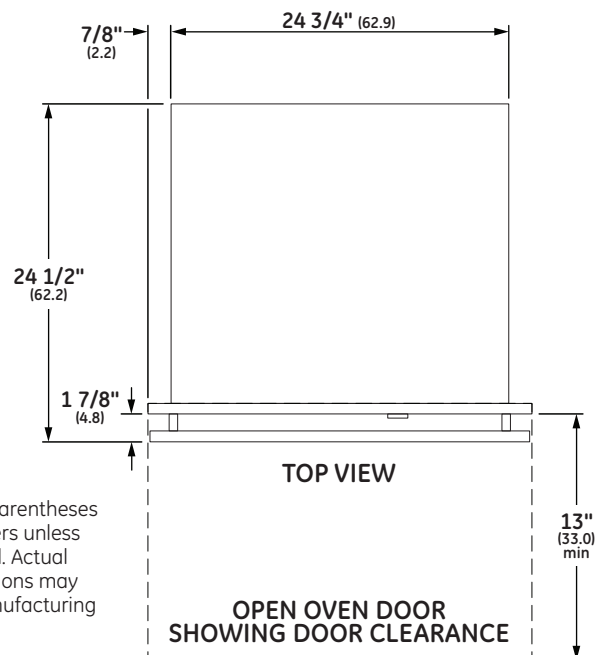
SPECIFICATIONS

Overall Width	27 3/4" (70.5 cm)
Overall Height	18 5/8" (47.3 cm)
Overall Depth	21 1/2" (54.6 cm)
Oven Door Clearance	13" (33 cm) Min
Overall Oven Interior Capacity	1.6 cu. ft. (.05 cu. cm)
Oven Interior Dimensions (W x H x D)	20 1/4" x 8 1/2" x 17" (51.4 cm x 21.6 cm x 43.2 cm)
Minimum Cabinet Width*	27" (68.6 cm)
Minimum Cabinet Depth*	21 1/2" (54.6 cm)
Minimum Base Support	130 lbs (59 kg)
Cutout Width*	25 1/8" (63.8 cm) Min 25 1/4" (64.1 cm) Max
Cutout Height*	17 1/2" (44.5 cm) Min
Cutout Depth*	21 1/2" (54.6 cm) Min
Voltz/Hertz/Amps	120 VAC, 60 Hz, 15A
Electrical Rating	1.8 kW at 120V
Shipping Weight	91 lbs (41.3 kg)

* Additional space will be needed for flush installation.



SIDE VIEW



TOP VIEW

OPEN OVEN DOOR
SHOWING DOOR CLEARANCE

Dimensions in parentheses are in centimeters unless otherwise noted. Actual product dimensions may vary due to manufacturing tolerances.

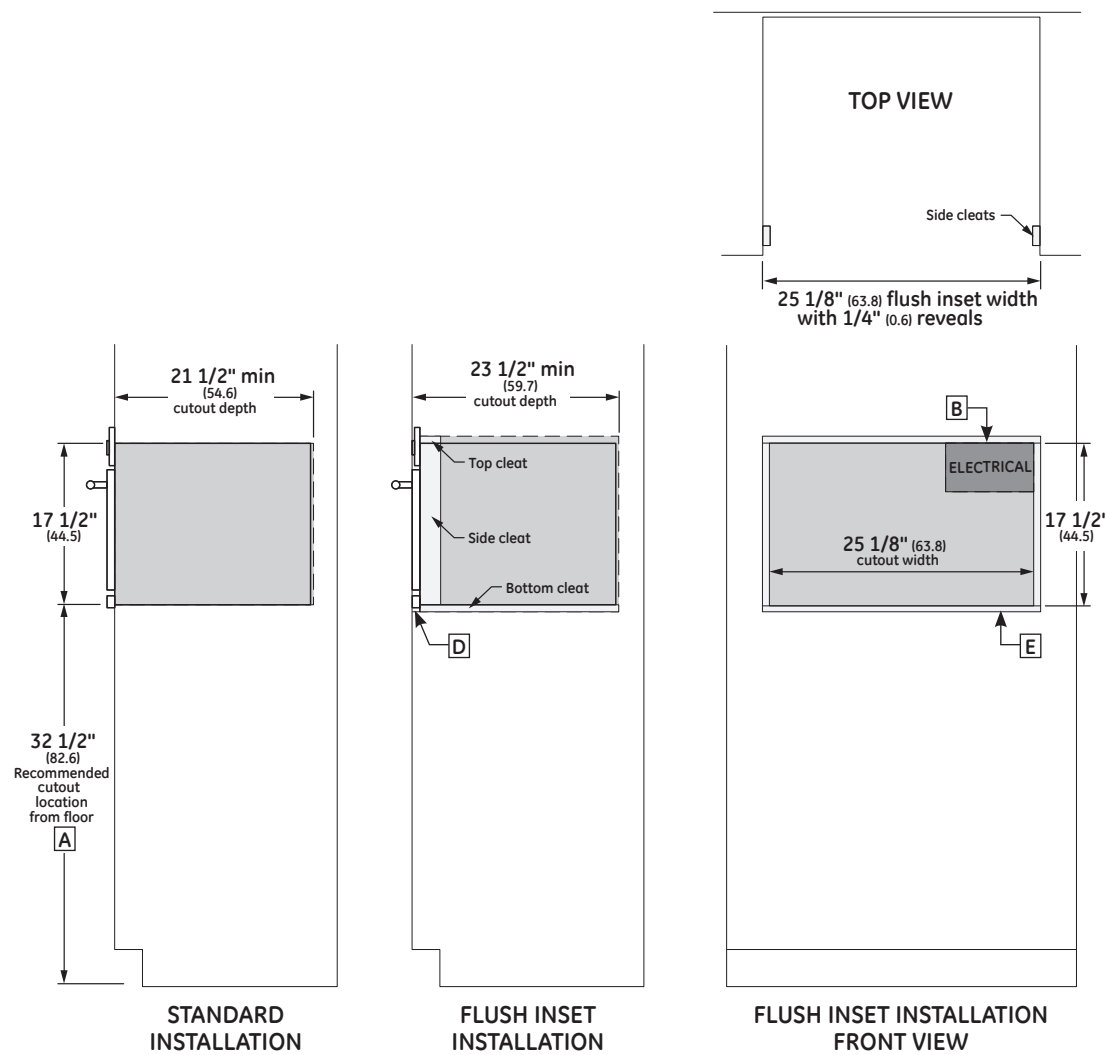
Actual product dimensions may vary due to manufacturing tolerances.

ATTENTION ELECTRICIAN:

A 120V, 60Hz, 15 Amp circuit is required. An individual properly grounded branch circuit or circuit breaker is required. Hardware junction box is required for built-in product.



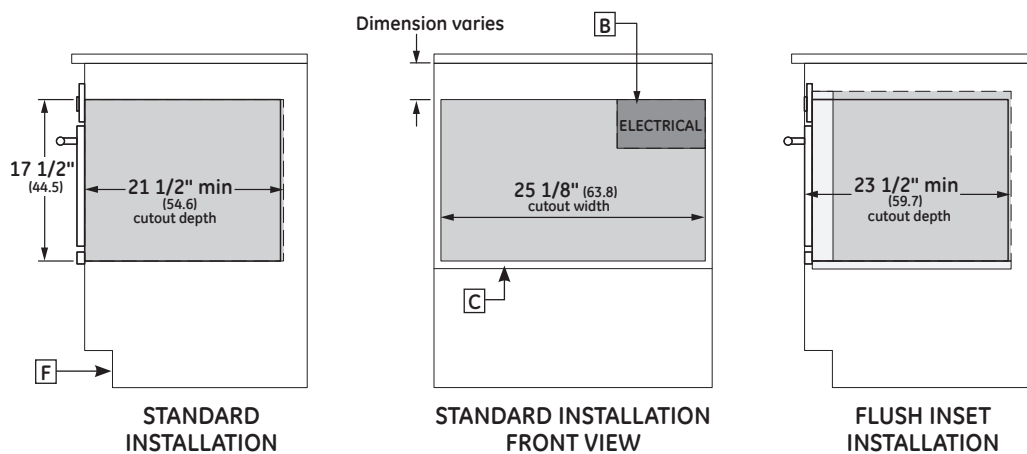
WALL INSTALLATION



NOTES

- A** Based on a user height of 5' 6" to 5' 10"
- B** Junction box location (May also be located in adjacent cabinet.)
- C** Platform must be able to support 130 lbs (90 kg)
- D** Top surface of cabinet must be an appearance finished surface for flush installation.
- E** Cleats may be visible and should be finished to match cabinetry.
- F** Maximum toe kick height of 4" when installed beneath a certified cooktop.

UNDERCOUNTER INSTALLATION



For more details, refer to the installation instructions for this product on Monogram.com. Dimensions in parentheses are in centimeters unless otherwise noted.

FEATURES AND BENEFITS

Speedcook technology - Halogen-light system speedcooks your favorite foods to delicious perfection - in minutes, with no preheating

Sophisticated Styling - Clean lines offer a stylish, modern look that coordinates beautifully with other Monogram built-in products

Powerful Performance - Oven-quality foods cook up to four times faster than a conventional oven, with no preheating required

Remarkable Versatility - Multiple cooking options create four ovens in one - Speedcook, true European convection, sensor microwave and warming ovens - to bake, broil, brown, roast, warm and proof foods

Spacious Interior - Rounded oven cavity and 16" turntable allow full and continual rotation of a 9" x 13" casserole dish; removable oven rack offers the convenience of multi-level cooking

Installation Flexibility - Ovens can be installed in a 27" or 30" wall cabinet (with trim kit)

