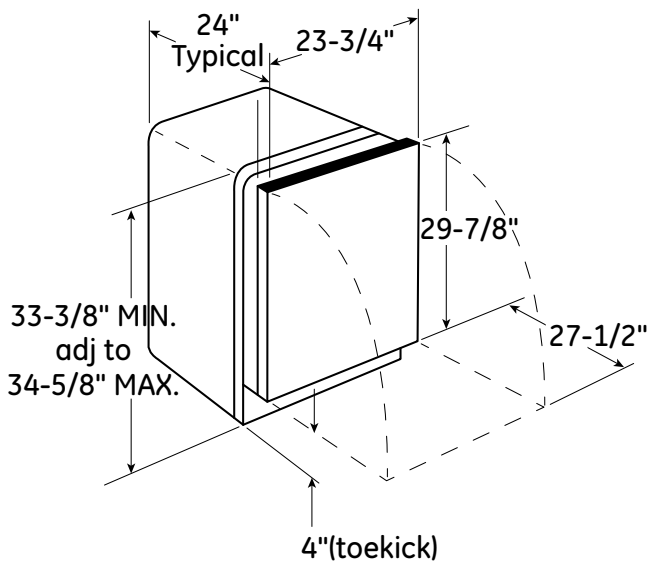


# ZDT800SIFII/ZDT800SPFSS/ZDT800SSFSS GE Monogram® Fully Integrated Dishwashers

## Dimensions and Specifications (in inches)

- The dishwasher must be installed so that the drain hose is no more than 12 feet in length for proper drainage.
- Electrical connections are at the right front of the dishwasher and water connections are on the left. The hot water line should extend forward 30" to 40" from the rear wall. The electrical must extend forward at least 24" to reach the junction box.



\*Dishwasher models ZDT800SIF and ZDT870SIF require a 3/4" thick custom panel and will be 24" deep.

## Electrical Requirements

The dishwasher must be supplied with 120V, 60Hz, and connected to an individual properly grounded branch circuit protected by a 15- or 20-amp circuit breaker or time-delay fuse.

For answers to your Monogram®, Cafe™ Profile Series or GE appliance questions, visit our website at [geappliances.com](http://geappliances.com) or call GE Answer Center® service, 800.626.2000.



## Custom Panel for Model ZDT870SIF

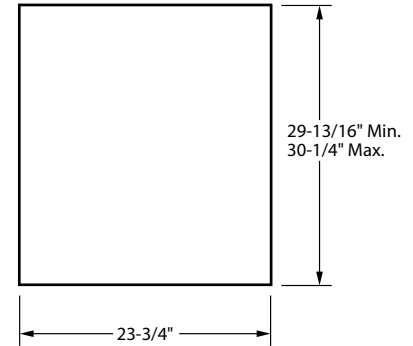
These dishwashers require a field installed 3/4" thick custom panel and custom handle. An installation template is packed with these models and may be obtained in advance. Complete panel installation instructions are included on the template, Pub. No. 31-31511-1.

## CUSTOM PANEL SIZE REQUIREMENTS

### HEIGHT

Panel height must be between **29-13/16" and 30-1/4"**.

- If the panel height is more than 30-1/4" it will prevent the door from swinging open.
- If the panel height is less than 29-13/16" it will not cover the dishwasher door frame.



### ALIGN TEMPLATE TO PANEL

- Trim template on the dotted line along all sides.
- For Panel sizes **29-13/16" up to 30-1/16"**, place template on the panel aligned with the **top edge** and the centerline. Use tape to hold in place.
- For Panel sizes **over 30-1/16" up to 30-1/4"**, place template on the panel aligned with the **bottom edge** and the centerline. Use tape to hold in place.

**IMPORTANT: if the template is not aligned properly with the panel, the panel may hit the toe kick and the door will not fully open. Longer panels should overhang at the top of the door. Make sure after installation, to maintain a minimum 1-2" gap to the countertop from the custom panel.**

- Use an awl to mark the screw hole location indicated on the template. Remove the template.

### WIDTH

Panel width must be **23-3/4"**.

- If the panel width is less than 23-3/4" it will not cover the dishwasher frame.

**IMPORTANT: To ensure optimum door balance performance, the custom panel must not weigh more than 20 lbs.**

**Before installing refer to installation instructions for details.**



As an ENERGY STAR® partner, GE has determined that this product meets the ENERGY STAR guidelines for energy efficiency.



Listed by Underwriters Laboratories

# ZDT800SIFII GE Monogram® Fully Integrated Dishwashers

## Custom Dishwasher Door Panel Template

**For Reference Only  
Not to Scale**

**3/4" Thick Custom Panel  
Template Instructions for  
Top Control Integrated GE  
Dishwasher Models**

The custom panel should be sized to your installation situation. See Step 1. It is highly recommended that the custom panel be attached before installing the dishwasher. Use this template to locate mounting screws and spacers on the custom panel.

**IMPORTANT:** A custom handle must be installed onto the custom panel. Install the custom handle 4-1/2" max. from the top of the panel.

**PARTS INCLUDED:**  
 (6) Spacers  
 (2) #8 x 5/8" Phillips truss head stainless steel screws  
 (4) #8 x 7/8" Phillips truss head stainless steel wood screws  
 (2) Heavy duty springs

**STEP 1 CUSTOM PANEL SIZE REQUIREMENTS**

**HEIGHT:** Panel height must be between 29-13/16" and 30-1/4".

**WIDTH:** Panel width must be 23-3/4".

**IMPORTANT:** To ensure optimum door balance performance, the custom panel must not weigh more than 20 lbs.

**STEP 2 DRAW CENTERLINE**

Place the custom panel on a flat surface with appearance side down. Locate the vertical center of the panel at the top. Use a carpenter's square to draw a centerline from top to bottom.

**STEP 3 ALIGN TEMPLATE TO PANEL**

Trim template on the dotted line along all sides. For Panel sizes 29-13/16" up to 30-1/4", place template on the panel aligned with the **top edge** and the centerline. Use tape to hold in place. For Panel sizes over 30-1/4" up to 30-1/4", place template on the panel aligned with the **bottom edge** and the centerline. Use tape to hold in place.

**IMPORTANT:** If the template is not aligned properly with the panel, the panel may hit the toe kick and the door will not fully open. Longer panels should overhang at the top of the door. Make sure after installation, to maintain a minimum 1/2" gap to the counter-top from the custom panel.

**STEP 4 INSTALL MOUNTING SCREWS AND SPACERS**

If the panel is less than 3/4" thick, spacer screws must be used. Use #8 x 3/4" screws to drill pilot holes 3/32" deep in the marked locations. Make sure not to drill all the way through the panel. Note: The custom panel is secured to the dishwasher door with the spacers and screws provided. The spacers will slip into the keyhole slots on the dishwasher door.

**STEP 5 INSTALL CUSTOM HANDLE**

A custom handle must be installed onto the panel before the panel is secured to the dishwasher door. The handle should be installed so that it aligns with adjacent drawer handles, or 4-1/2" max. from the top of the panel. Secure the handle in the same manner as cabinet handles. Screws must be countersunk into the panel.

**STEP 6 INSTALL ASSEMBLED PANEL**

Secure the panel to the door by inserting the top and bottom spacers into the matching keyhole slots. Make sure all spacers engage the keyhole slots. Press the panel against the door and push downward until the spacers are fully engaged into the keyhole slots. The panel should align evenly with the top and sides.

**STEP 7 INSTALL DOOR SPRINGS**

Depending on the weight of the panel being used, additional springs may be needed to balance the door during operation. If only one spring is being attached to the cable, the spring hook should be inserted into the middle hole on the cable and the other end of the spring should be hooked over the lowest screw on the rear tub bracket as shown below.

The bottom spring opposite end should be hooked over the lowest screw on the rear tub bracket. The top spring hooks into the first available hole above the screw in the same rear tub bracket. See illustrations below.

The following table may be used as a guideline regarding which springs to use, depending on the weight of the panel being added. However, spring combinations may be adjusted based on personal preferences regarding door feel.

Panel Weight (lbs)	Left Side Springs	Right Side Springs	Spring Strength
5-10	Blue	Blue	A, C, D
10-15	Blue x 2	Black	B, M, A, D
15-20	Blue x 2	Black x 2	

Note: For combinations requiring two different strength springs, the side used is unimportant and the table headings below are for reference only. For example, a panel weighing 8 lbs would require two (2) gray springs and one (1) blue spring. The gray springs may be installed on the left side and the blue spring on the right side, or the two gray springs may be installed on the right side and the blue spring on the left.

Close and latch the door. Check door balance after custom panel is installed. If the door does not open fully or falls too quickly, check spring cable routing. The cable is held in place by "hooklets" on the pulley. Check to be sure the cable has not slipped over the pulley hooklets. If the door does not open easily or falls too quickly, check spring cable routing. The cable is held in place by "hooklets" on the pulley. Check to be sure the cable has not slipped over the pulley hooklets.

**IMPORTANT:** Adjust both balance springs to the same amount of tension to prevent excessive door twisting during use.

**CAUTION:** It is extremely important that the 2 screws are driven into the wood panel through the metal door assembly. This locks the vertical motion of the custom panel and if not secured the panel can come off the unit during door opening/closing causing personal injury and damage to the panel.

A. Carefully open the door because door will likely be unbalanced. Start insertion of driver at approximately 45° angle to clear the screw head past the hinge components, once the screw head is clear, rock the driver forward to a vertical position. Proceed to drive the screw. Repeat procedure for the opposite side.

Drive screw through the hole in hinge bracket and door into the wood panel.

**NOTICE:** Do not over-tighten screws. Excessive tightening of the screws could damage door edges.

Dimensions only used if aligning template with bottom of panel and length is between 30-1/16" to 30-1/4".

Pub no. 31-31511-1  
07-13 GE

**CALL 1-800-626-2000**

For a full-size panel template with complete panel installation instructions.

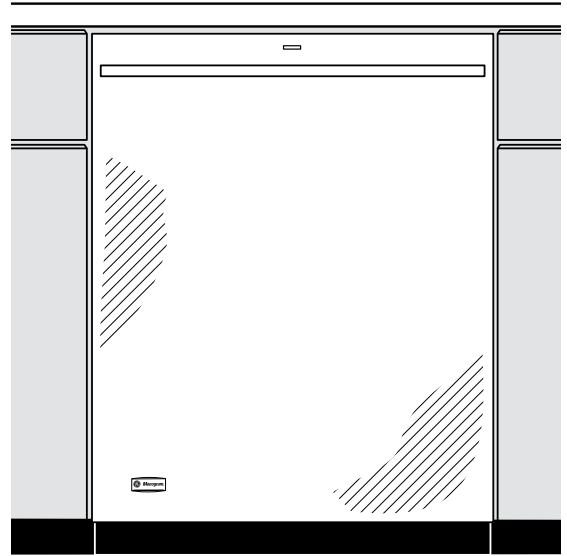


imagination at work

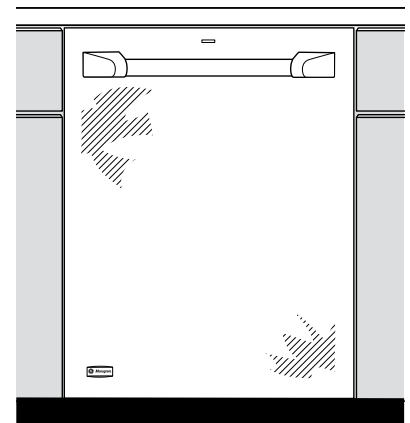
# ZDT800SIFII/ZDT800SPFSS/ZDT800SSFSS GE Monogram® Fully Integrated Dishwashers

## Features and Benefits

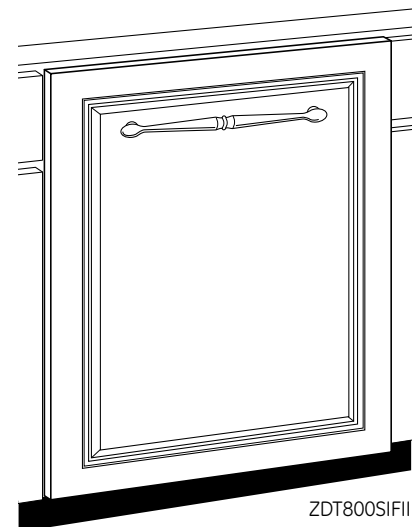
- GE's most advanced wash system with 102 cleaning jets - Achieve the ultimate clean from an industry-leading number of jets that deliver complete washing coverage to every corner of the dishwasher
- LED lighting - Illuminate the entire interior, leaving no question as to whether or not dishes have been cleaned
- 42 dBA with LED status indicator on door - A dishwasher this quiet has a status indicator to tell you if the dishwasher is Washing, Drying or Clean
- Bottle Wash Jets - Hard-to-reach areas inside tall items get completely clean with four dedicated jets integrated into the upper rack that shower water deep inside for the ultimate clean
- Cabinet Depth Installation - Customize this appearance with a panel to match the décor of your kitchen
- Top control LCD display - User-friendly controls combined with a LCD screen complement the sleek stainless look
- Easy Touch Adjustable Upper Rack with 2 Stem Safe wine glass holders - Quickly adjust the upper rack 2 inches up or down to accommodate tall glassware and 10 ½" plates with plenty of room in the bottom rack for large platters and cookie sheets
- Wash Zones - Wash a true half-load in either the upper or lower rack without sacrificing options and cycles
- Reversing Blade Wash Arm - Dishes come out impressively clean thanks to this revolutionary lower wash arm, with 25 spray jets reversing direction to hit items from every angle
- Side Jets - Cascading water fills the dishwasher while hydrating soils
- Exclusive Max Dry system - Improves drying performance by utilizing a high output, multi-speed fan
- Model ZDT800SSFSS - Stainless steel - European
- Model ZDT800SPFSS - Stainless steel - Professional
- Model ZDT800SIFII - Requires custom panel and handle



ZDT800SSFSS



ZDT800SPFSS



ZDT800SIFII



imagination at work