

ZDIS15SSHRH

GE Monogram® High-Production, Large Capacity Automatic Ice maker

Dimensions and Installation Information (in inches)

Dimensions

H 33-1/2"

W 14-13/16"

D 23-5/16"

Note:

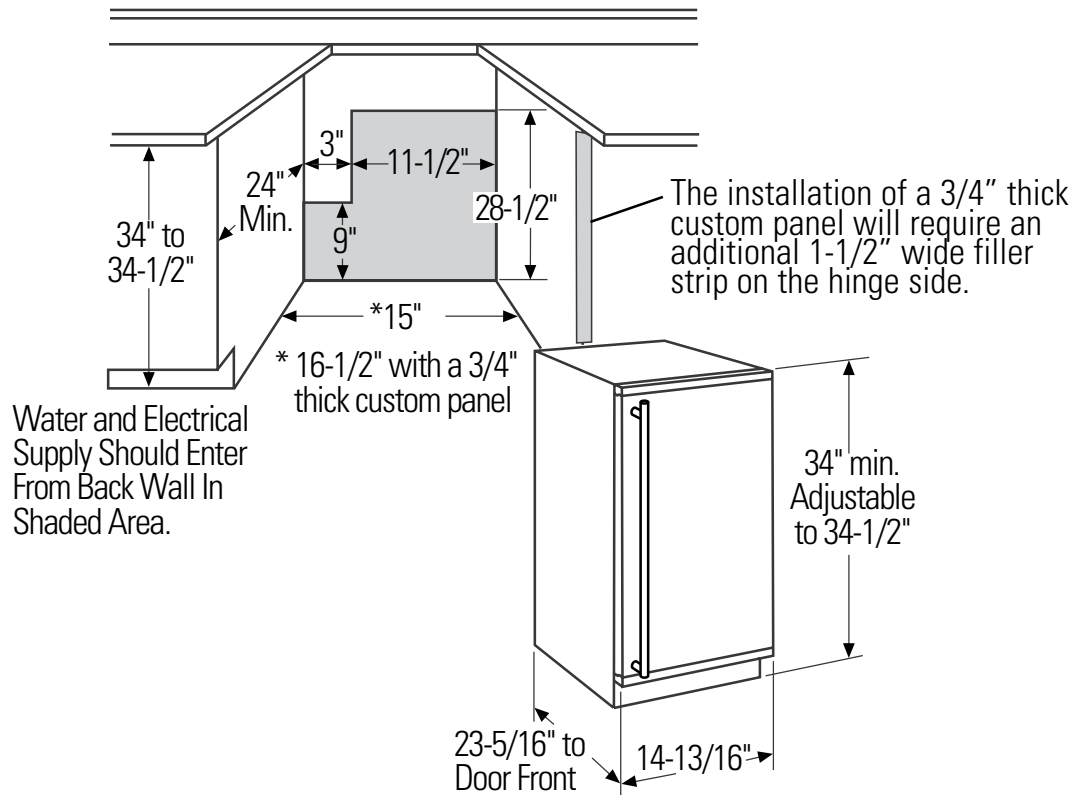
The finished cut-out is determined by the type of installation. Before installing, consult installation instructions packed with product for current dimensional data.

Warranty Information:

Limited one-year warranty, in-home service, parts and labor.*

Limited five-year warranty, parts and labor on the compressor, evaporator and all connecting tubing.*

*See written warranty for complete details.



For answers to your Monogram® appliance questions, visit our website at ge.com or call GE Answer Center® service, 800.626.2000.

Note:

The addition of a 3/4" thick front panel will result in a front to back depth of 24-1/16".



ZDIS15SSHRH

GE Monogram® High-Production, Large Capacity Automatic Icemaker

Features and Benefits

- High production and large capacity - Make a Monogram icemaker a versatile addition to any entertainment setting. Produces up to 50 pounds of clear ice per day and automatically shuts off when the 25-pound-capacity bin is full.
- Interior LED lighting - Puts cubes in clear view
- Filter-change indicator light - Alerts you when it's time to replace the filter
- Ice scoop - Has a sturdy design that makes it easy to transfer ice cubes to glassware.

