



Slide-In Range

FGIS3065PF

30" Induction



Product Dimensions

Height (Max.)	36-5/8"
Width	30"
Depth	28-5/16"

More Easy-To-Use Features

Smudge-Proof™ Stainless Steel
Resists fingerprints and is easy to clean.

Effortless™ Convection
Takes the guesswork out of convection cooking — our oven automatically adjusts standard baking temperatures to convection temperatures for consistent results.

One-Touch Options
Our ovens feature easy-to-use one touch buttons so you can keep foods warm — with the touch of a button.

One-Touch Keep Warm Setting
Just one touch of a button keeps food warm until everything — and everyone — is ready.

Built with American Pride
Appliances that are high-performing, more accessible, and more innovative than ever — designed, built, and engineered in the U.S.A.

A.D.A. Compliant
When properly installed, this model is A.D.A.-qualified based on the United States Access Board's A.D.A./A.B.A. Accessibility Guidelines and the Department of Justice's 2010 A.D.A. Standards for Accessible Design.



Sabbath Mode (Star-K® Certified)

Available in:



Stainless
(F)

Elements	Size	Watts
Right Front	10"	2,500 / 3,800
Right Rear	6"	1,200 / 1,400
Left Front	8"	2,300 / 3,200
Left Rear	7"	1,800 / 2,000
Center	Keep Warm Zone	100

Signature Features



Quick Preheat

Preheat in just a few minutes.¹



True Convection

A single fan and third heating element circulates heat evenly for more even, quicker multi-rack baking.



Quick Clean

Cleans easily with a 20-minute steam clean for light soil and 2-hour self-cleaning cycle.



Induction Cooktop

Get cooking faster with less than 2-minute boil time.² Clean up easily with cool cooktop surface. Induction heats the pan, not the cooktop, so spills won't burn on the surface. Adjust heat with greater accuracy than electric and gas cooktops especially at lower settings.

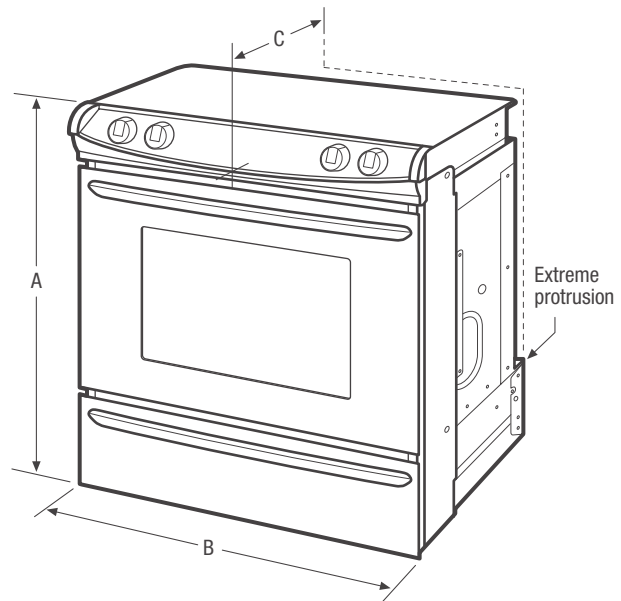
¹Based on single rack cooking performance, not set temperature, using Quick Preheat.

²10" induction burner with Power Boost, 6 qt./10" diameter pot, 1 qt. tepid water.

Features	
Oven Control/Timing System	Express-Select®
Surface Type	Black Ceramic Glass
Window	Extra-Large
Exterior Door Finish	Smudge-Proof™ Stainless Steel
Handle Design	Stainless Steel
Exterior Finish (Side Panels)	Black
Convection System	True Convection
Oven Cleaning System	Self-Clean
Drawer Functionality	Storage
Oven Controls	
Bake/Broil	Yes/Variable (400 - 550 °F)
Effortless™ Convection Conversion	Yes
Convection Bake/Broil/Roast	Yes/Yes/Yes
Quick Preheat	Yes
My Favorite	
Slow Cook	
Effortless™ Temperature Probe	Yes
Chicken Nugget Button	
Pizza Button	
Keep Warm	Yes
Add-a-Minute	
Delay Start	Yes
Self Clean/Clean Options	Yes/2, 3, 4 Hours
Steam Clean	Yes
Delay Clean	2, 3, 4 Hours
Kitchen Timer / Timed Cook Option	Yes/Yes
Auto Oven Shut-Off	6 Hours
Lower Drawer Control	
Cooktop Features	
Right Front Element (Watts)	10" - 2,500/3,800
Right Rear Element (Watts)	6" - 1,200/1,400
Left Front Element (Watts)	8" - 2,300/3,200
Left Rear Element (Watts)	7" - 1,800/2,000
Center Element (Watts)	Keep Warm Zone - 100
Hot Surface Indicator Lights	
Oven Features	
Capacity (Cu.Ft.)	4.6
Oven Light	2
Hidden Bake Element	Yes
Rack Configuration	1 Heavy Duty, 1 Offset, 1 Effortless™
Baking System	Even Baking Technology
Broiling System	Vari-Broil™
Bake Element/Broil Element/ Convection Element (Watts)	2,500/3,400/2,500
Drawer Rack	
Certifications	
A.D.A. Compliant ¹	Yes
Sabbath Mode (Star-K® Certified)	Yes
Specifications	
Oven Interior (H x W x D)	17-1/2" x 24-1/8" x 18-3/4"
Power Supply Connection Location	Left Bottom Rear
Voltage Rating	240V / 208V / 60Hz
Connected Load (kW Rating) @ 240/208 Volts ²	14.5/10.9 kW
Amps @ 240/208 Volts	60.4/52.4
Minimum Circuit Required (Amps)	40A
Shipping Weight (Approx.)	240 Lbs.

¹When properly installed, this model is A.D.A.-qualified based on the United States Access Board's A.D.A./A.B.A. Accessibility Guidelines and the Department of Justice's 2010 A.D.A. Standards for Accessible Design.

²Single phase 3- or 4-wire cable, 120/240 or 120/208 Volt, 60 Hertz AC only electrical supply with ground required on separate circuit fused on both sides of line.



NOTE: For planning purposes only. Always consult local and national electric codes. Refer to Product Installation Guide for detailed installation instructions on the web at frigidaire.com.



Product Dimensions	
A - Height (Max./Max.)	35-3/4" / 36-5/8"
B - Width	30"
Width of Cooktop Surface	31-1/2"
C - Depth	28-5/16"
Depth with Door Open 90°	47-9/16"

Cutout Dimensions	
Height (Min./Max.)	35-7/8" / 36-5/8"
Width (Min./Max.)*	29-15/16" / 30-1/16"
Depth (Min./Max.)*	21-3/4" / 22-1/8"

*Cutout and countertop cutout width should match.
**24" with optional backguard installed.

Accessories information available on the web at frigidaire.com

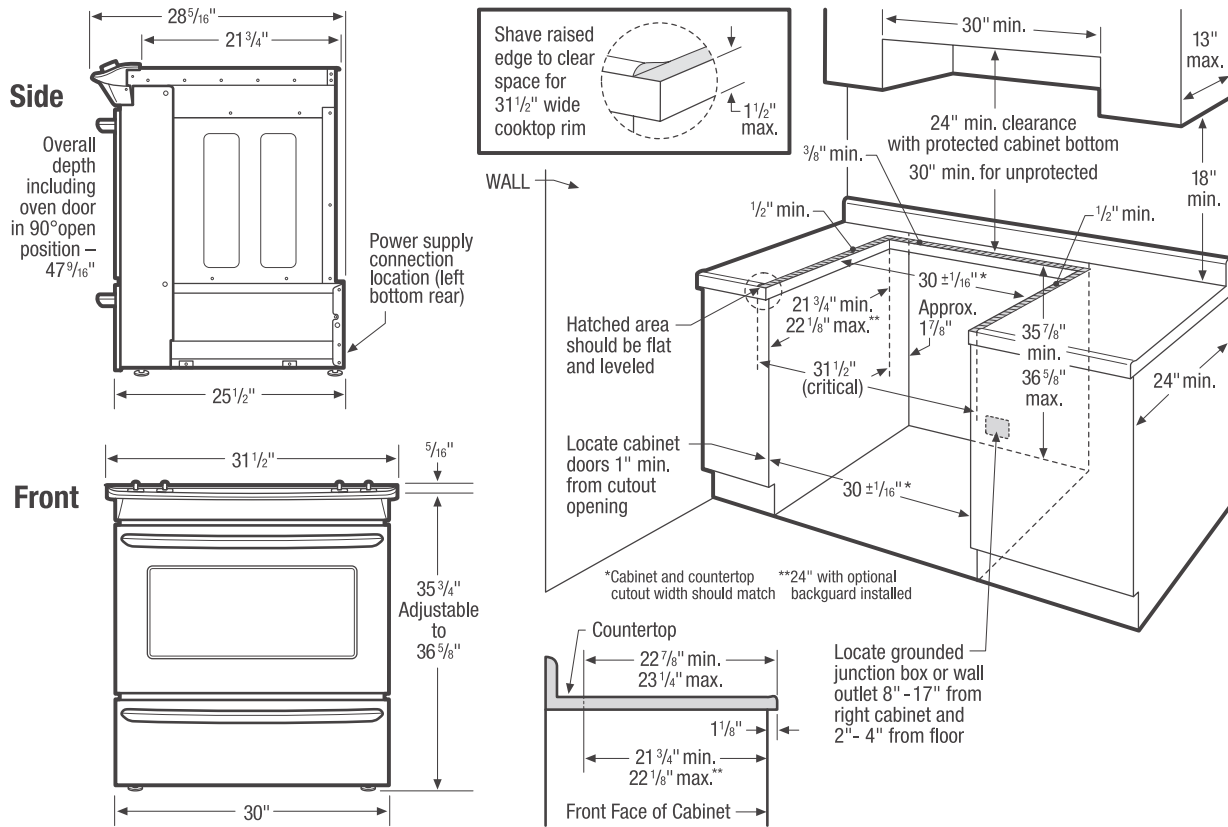
FRIGIDAIRE

USA • 10200 David Taylor Drive • Charlotte, NC 28262 • 1-800-FRIGIDAIRE • frigidaire.com
CANADA • 5855 Terry Fox Way • Mississauga, ON L5V 3E4 • 1-800-265-8352 • frigidaire.ca

FGIS3065P 01/15

© 2015 Electrolux Home Products, Inc.

Specifications subject to change.



Slide-In Range Specifications

- Product Shipping Weight (approx.) - 240 Lbs.
- Single phase 3- or 4-wire cable, 120/240 or 120/208 Volt, 60 Hertz, fused on both sides of line with ground. (If local code permits, range may be connected by hard-wiring or by means of power supply cord kit.)
- Connected Load (kW Rating) @ 240/208 Volts = 14.5/10.9 kW
- Amps @ 240/208 Volts = 60.4/52.4 Amps
- Recommended Circuit Breaker - 40 Amps Minimum Circuit Required
- Always consult local and national electric codes.
- Make sure wall coverings around range can withstand heat generated by range.
- Linoleum or any other synthetic floor covering located beneath range, must be capable of withstanding minimum heat of 90°F above room temperature without shrinking, warping or discoloring. Insulating pad or 1/4"-thick plywood required between range and a carpeted floor.
- Countertop MUST be level in all directions and adjustable range height at least 1/16" greater than tallest cabinet height, to ensure metal rangetop flange will fit properly on countertop edge.
- When installing optional Backguard Kit, cutout depth of 21-3/4" minimum/22-1/8" maximum needs increased to 24".
- Overhead cabinetry should not exceed a 13" maximum depth.
- Absolute minimum horizontal distance between overhead cabinets installed to either side of appliance must be no less than maximum width of appliance.
- Allow 24" minimum clearance between rangetop and bottom of cabinet when bottom of wood or metal cabinet is protected by not less than 1/4" flame-retardant millboard covered with not less than No. 28 MSG sheet steel, 0.015" stainless steel, 0.024" aluminum or 0.020" copper. Allow 30" minimum clearance when cabinet is unprotected.
- To reduce risk of fire when using overhead cabinetry, install range hood that projects horizontally a recommended minimum of 5" beyond bottom of cabinets.

Countertop Preparation

Rangetop's side flanges overlap countertop cutout edges - for detailed preparation instructions, refer to product installation guide on the web.

- Flat Square-Finish Countertops - require no preparation since rangetop's flange lays directly on countertop edge.
- Formed Front-Edged Countertops - require front molded edge to be shaved flat 3/4" from each front corner of opening.
- Tile Countertops - may need trim cut back 3/4" from each front corner of opening and/or rounded edge flattened.
- For existing cutout width greater than 30-1/16" reduce the 3/4" overlap dimension; for cutout width of 29", replace actual side trim panels with smaller side trim panels, available with optional Side Trim Kit (refer to detailed kit installation instructions).

Note: For planning purposes only. Refer to Product Installation Guide on the web at frigidaire.com for detailed instructions.

Optional Accessories

- Side Panel Kit: Stainless Steel - (PN # AO1529901).
- Backguard Kit: Stainless Steel - (PN # 903046-901S).
- Side Trim Kit: Stainless Steel - (PN # 903075-901S).



Use these dimensions and clearance instructions for planning purposes only. For detailed installation instructions, refer to installation guide, packed with product, or on the web at frigidaire.com.

