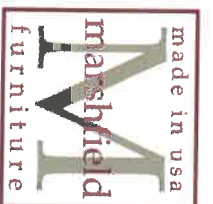


# Simply Yours...

upholstery for all lifestyles



## 1 choose your arm & base

- straight arm
- panel  A01 weft  A02 no weft  A07
  - sock  A08
  - track  A03 weft  A09 no weft  A10
  - charlie  A04 weft  A05 no weft  A11
  - teardrop  A05 weft  A11 no weft  A10
  - pleated  A06 weft  N/A no weft  A06

- or
- plain-straight  D01 weft  D04 no weft  D04
  - split-straight  D02 weft  D05 no weft  D05
  - skirt-straight  D03 weft  N/A no weft  N/A

- t-cushion arm
- panel  A12 weft  A13 no weft  A18
  - sock  A13 weft  A19 no weft  A19
  - track  A14 weft  A20 no weft  A20
  - charlie  A15 weft  A16 no weft  A21
  - teardrop  A16 weft  A17 no weft  A22
  - pleated  A17 weft  N/A no weft  A17

- or
- base  D06 weft  D09 no weft  D09
  - plain-t  D07 weft  D10 no weft  D10
  - split-t  D08 weft  N/A no weft  N/A
  - skirt-t  D08 weft  N/A no weft  N/A

- key arm
- key  A23 weft  A24 no weft  A24
  - base  D11 weft  D14 no weft  D14
  - plain-key  D11 weft  D14 no weft  D14
  - split-key  D12 weft  D15 no weft  D15
  - skirt-key  D13 weft  N/A no weft  N/A

NOTE: If you choose weft on your arm, the entire piece will have weft. (Except the Pleat Arm which can have weft on the cushions and base only.)

## 2 choose your back

- Simply... choose your back
- back  B01 weft  B02 no weft  B04
  - box  B07 weft  B10 no weft  B10
  - round  B05 weft  B08 no weft  B11
  - knife edge  B03 weft  B06 no weft  B06

## 3 choose your leg

- Simply... choose your leg
- B09 bottle
  - B10 high trap
  - B11 low trap

## 4 choose your finish

- Simply... choose your finish
- dark
  - medium

## 5 Simply... choose your fabric and special options

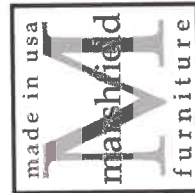
Refer to the Option Page in the back of the price list for all additional cost added options.

To order ottomans simply select a plain, split, or skirt base along with legs, finish and fabric.

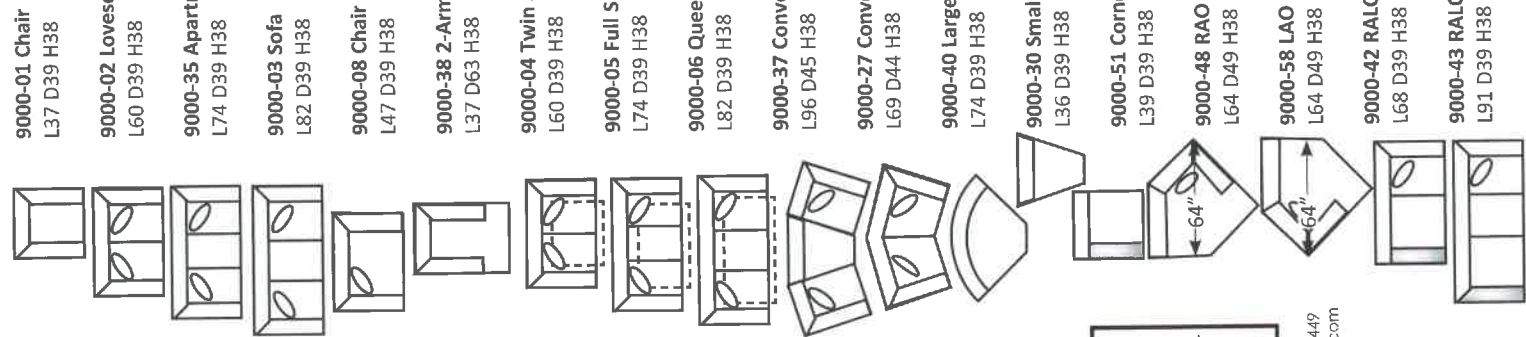
choose your style



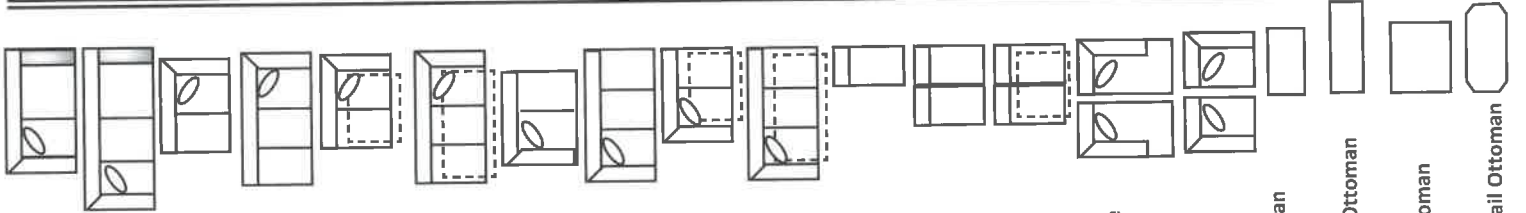
Simply Yours...



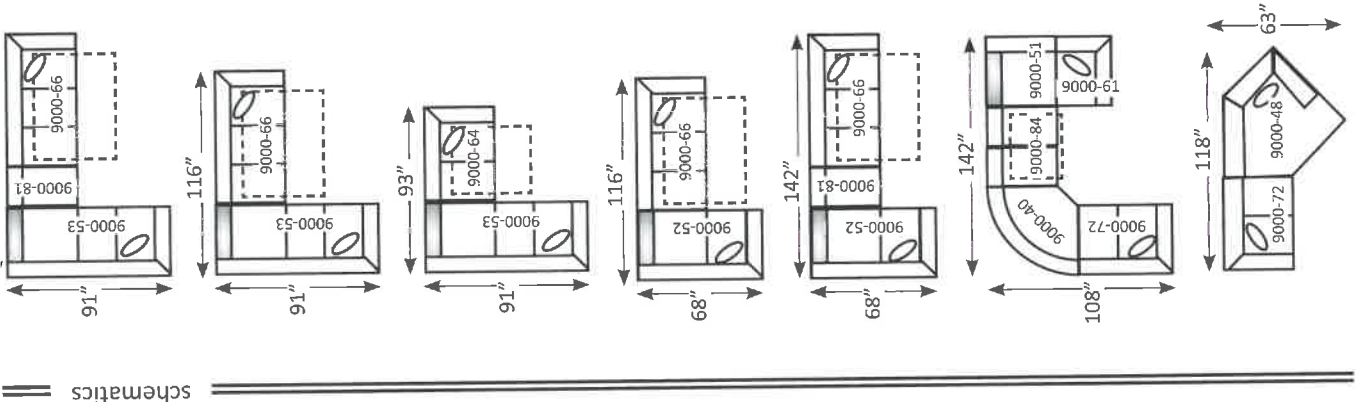
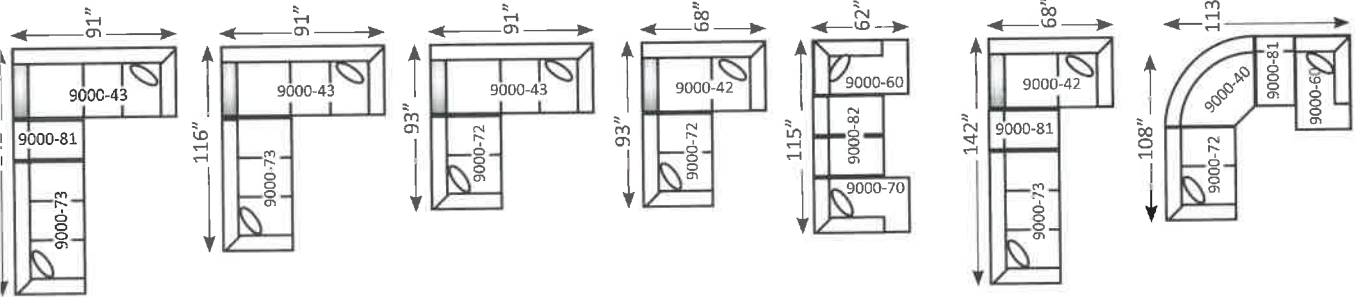
137 W. Ninth Street  
Marshfield, Wisconsin 54449  
www.marshfieldfurniture.com



- 9000-01 Chair L37 D39 H38
- 9000-02 Loveseat L60 D39 H38
- 9000-35 Apartment Sofa L74 D39 H38
- 9000-03 Sofa L82 D39 H38
- 9000-08 Chair & 1/2 L47 D39 H38
- 9000-38 2-Arm Chaise L37 D63 H38
- 9000-04 Twin Sleeper L60 D39 H38
- 9000-05 Full Sleeper L74 D39 H38
- 9000-06 Queen Sleeper L82 D39 H38
- 9000-37 Conversation Sofa L96 D45 H38
- 9000-27 Conversation Loveseat L69 D44 H38
- 9000-40 Large Wedge L74 D39 H38
- 9000-30 Small Wedge L36 D39 H38
- 9000-51 Corner Wedge L39 D39 H38
- 9000-48 RAO Cuddler L64 D49 H38
- 9000-58 LAO Cuddler L64 D49 H38
- 9000-42 RALC Loveseat L68 D39 H38
- 9000-43 RALC Sofa L91 D39 H38



- 9000-52 LARC Loveseat L68 D39 H38
- 9000-53 LARC Sofa L91 D39 H38
- 9000-62 RAO Loveseat L54 D39 H38
- 9000-63 RAO Sofa L77 D39 H38
- 9000-64 RAO Twin L54 D39 H38
- 9000-66 RAO Queen L77 D39 H38
- 9000-72 LAO Loveseat L54 D39 H38
- 9000-73 LAO Sofa L77 D39 H38
- 9000-74 LAO Twin L54 D39 H38
- 9000-76 LAO Queen L77 D39 H38
- 9000-81 Armless Chair L26 D39 H38
- 9000-82 Armless Loveseat L49 D39 H38
- 9000-84 Armless Sleeper L49 D39 H38
- 9000-60/70 RAO/LAO Chaise L33 D62 H38
- 9000-61/71 RAO/LAO Chair L31 D39 H38
- 9000-09 Non Storage Ottoman L27 D23 H18
- 9000-19 Storage Rectangle Ottoman L50 D23 H18
- 9000-39 Storage Square Ottoman L38 D38 H18
- 9000-29 Non Storage Cocktail Ottoman L49 D25 H18



Overall arm height 26"; Overall seat depth 20"; Overall seat height 21"  
 If choosing the low leg, height will be 1" lower.  
 \*Dimensions are based off of the largest arms - panel, sock, pleat, & key arms.  
 Length will change depending on which arm you choose.  
 \*\*\*Dimensions are approximate measurements only.

**key**  
 RALC = Right Arm/Left Corner  
 LARC = Left Arm /Right Corner  
 RAO = Right Arm Only  
 LAO = Left Arm Only

schematics