

**Standard Features:**

- Premium high-density, high-resiliency foam seat cushions encased in down
- Sinuuous spring suspension
- Semi-attached back cushions with lumbar support
- Semi-attached seat cushions
- Double-needle and single-needle top-stitch with thick thread
- In-arm control panel is easy to use and includes a 2-amp USB charging port
- Control panel is LED backlit with auto-off after 5 seconds
- Lifetime warranty on frame and suspension
- Three-year warranty on mechanism and motor
- Quick-ship delivery
- Metal trim in Polished Nickel finish

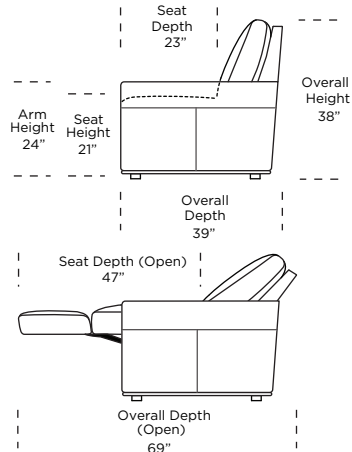
**Options:**

- Premium high-density, high-resiliency foam seat cushion
- Contrasting detail stitch available
- Contrasting back and seat cushions available (two-tone)
- 1.8-amp hour lithium-ion battery pack available
- Battery pack has a one-year warranty
- Easy disassembly for delivery

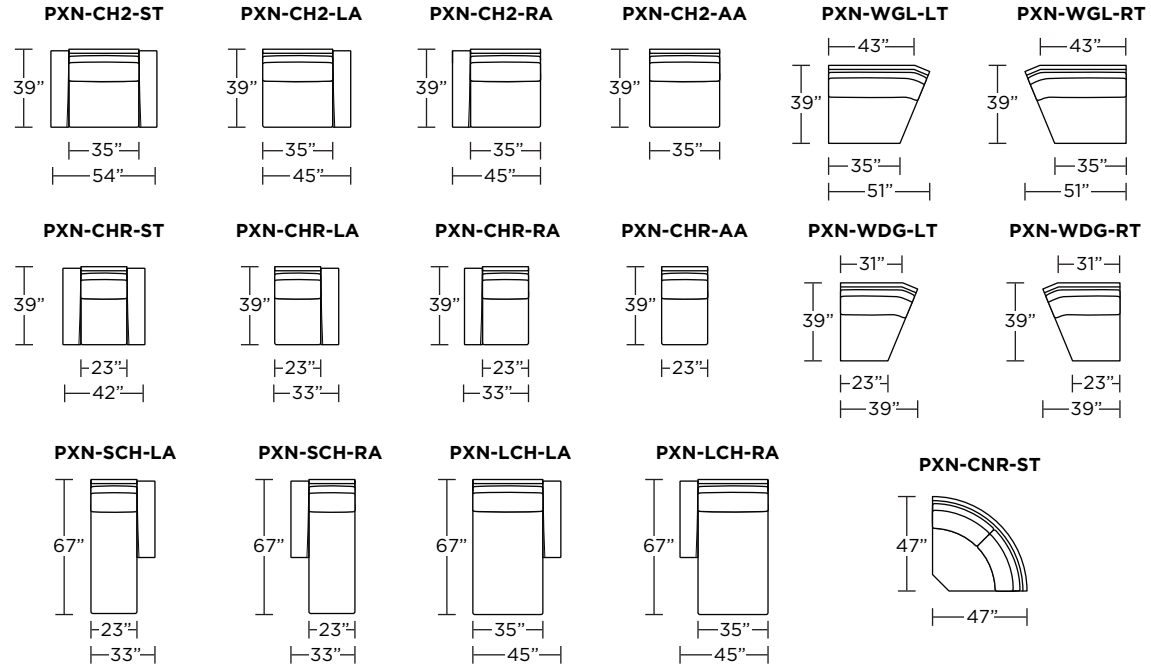
*Please use actual leather, fabric, Crypton®, Sunbrella® and Ultrasuede® swatches when specifying furniture as the colors shown may vary due to the printing process.*

**Note:** Microfiber fabrics such as SUEDELIFE and VEELIFE not suggested for this style. Please contact American Leather® Support Services for a complete list of recommended fabrics.

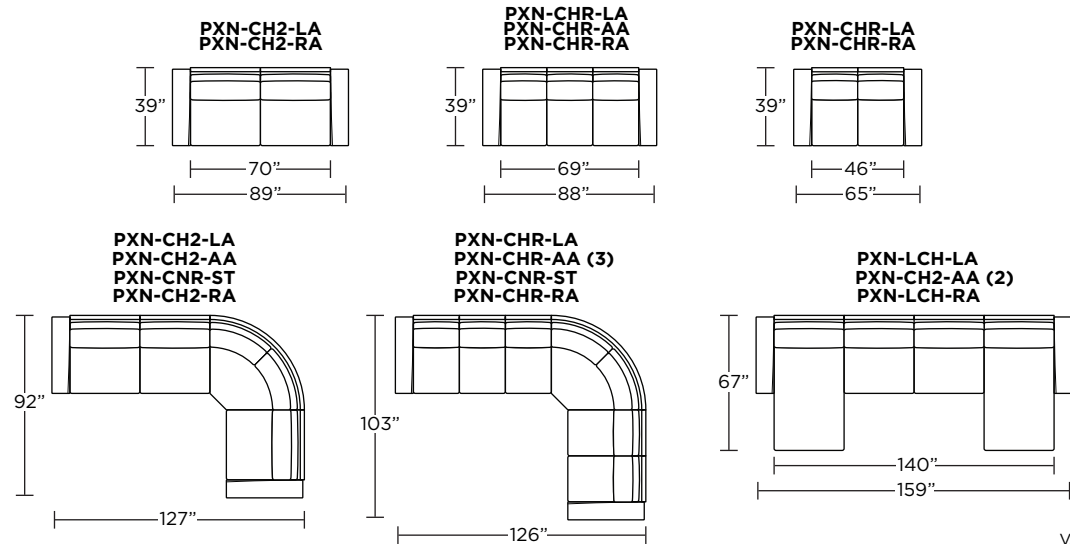
Wall Clearance is 5" at full recline.



Safe low voltage electrical components are UL listed.



**Suggested Configurations**



V.03.26.19

Scale : 1/8 inch = 1 foot  
All dimensions are approximate and subject to change.  
Specify all components from the sitting position.