

Examples

Example Number and Frame Sizes

8113-10

Welt Cord
Sock Arm
Loose Pillow Knife Edge Back
Sofa

8101-53

Welt Cord
Arm Option N/A
Semi-Attached Boxing Back
Wedge

8242-21

Top Stitch
Deco Arm
Loose Pillow Boxing Back
Left Arm Facing Corner Sofa

8100-40

Welt Cord
Arm Option N/A
Back Option N/A
Ottoman

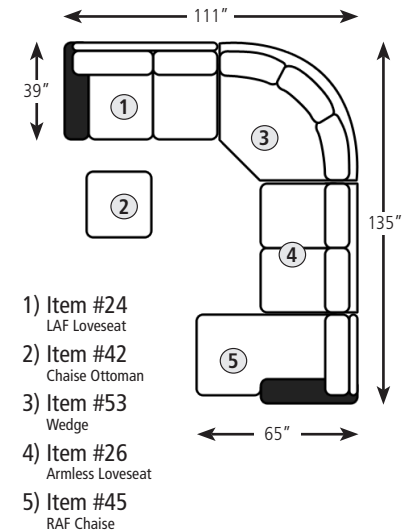
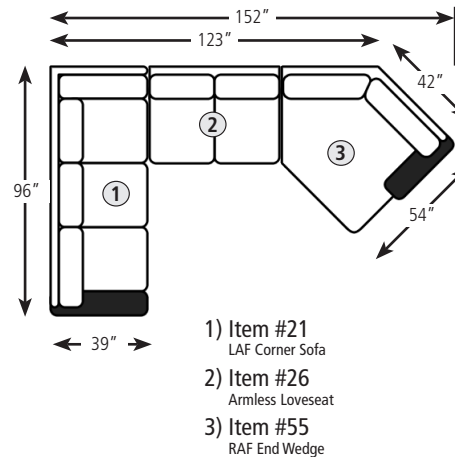
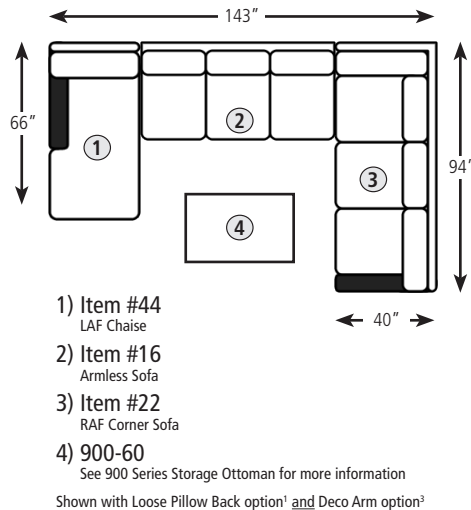
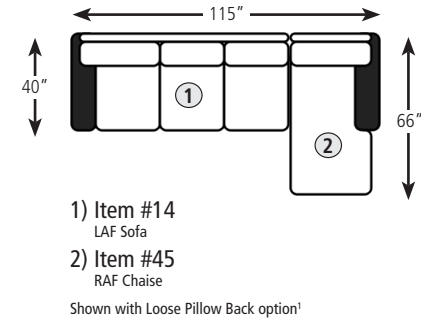
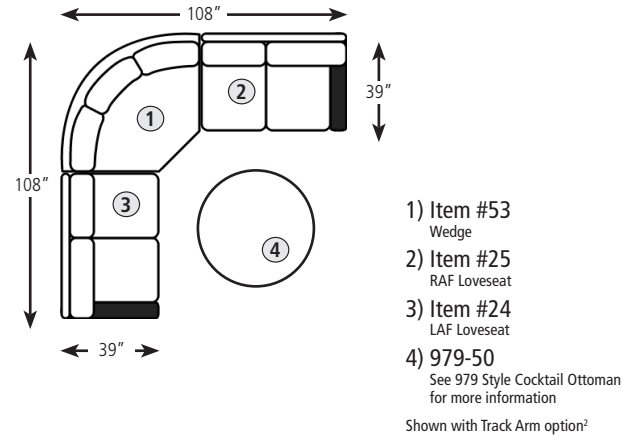
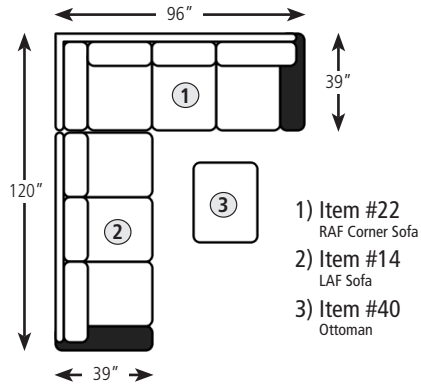
8223-45

Top Stitch
Panel Arm
Loose Pillow Knife Edge Back
Right Arm Facing Chaise

8101-26

Welt Cord
Arm Option N/A
Semi-Attached Boxing Back
Armless Loveseat

Example Sectional Layouts



¹ Loose Pillow Back option: add one inch to standard overall depth.

² Track Arm option: subtract approximately three inches per arm from standard overall length.

³ Deco Arm option: subtract approximately two inches per arm from standard overall length.