

# Examples

## Example Number and Frame Sizes

### 5332-10

Tapered Leg  
Track Arm  
Loose Pillow Back  
Sofa

### 5101-53

Skirt Base  
Arm Option N/A  
Semi-Attached Back  
Wedge

### 5221-21

Turned Leg  
Panel Arm  
Semi-Attached Back  
Left Arm Facing Corner Sofa

### 5100-40

Skirt base with casters  
Arm Option N/A  
Back Option N/A  
Ottoman

### 5212-45

Turned Leg  
Sock Arm  
Loose Pillow Back  
Right Arm Facing Chaise

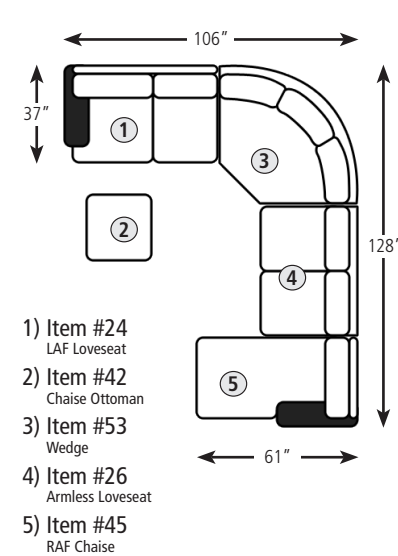
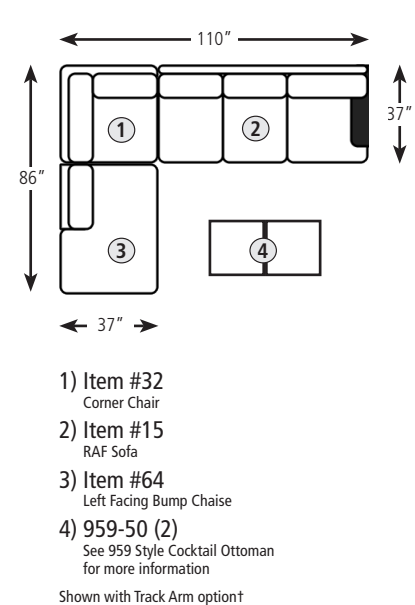
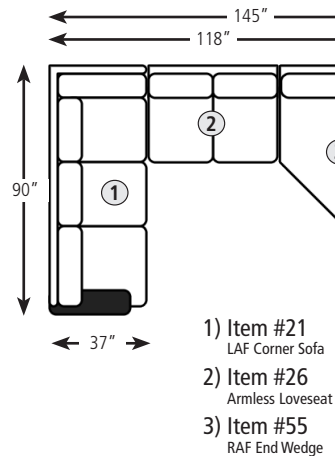
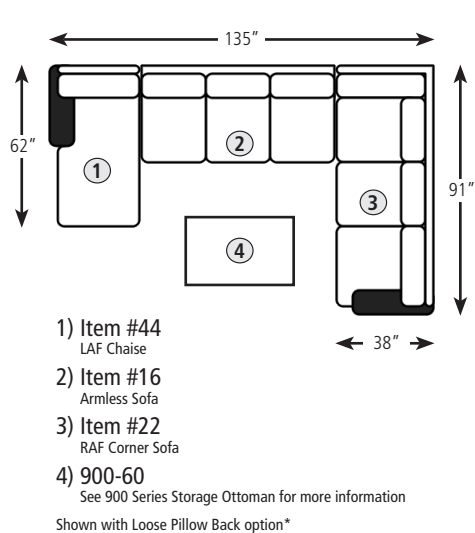
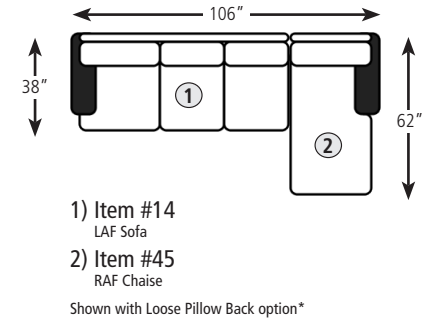
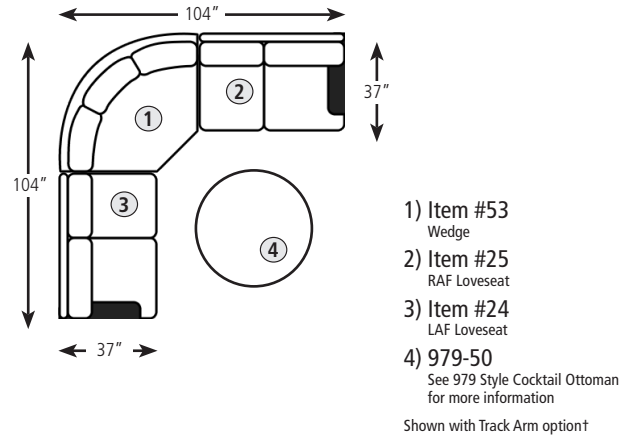
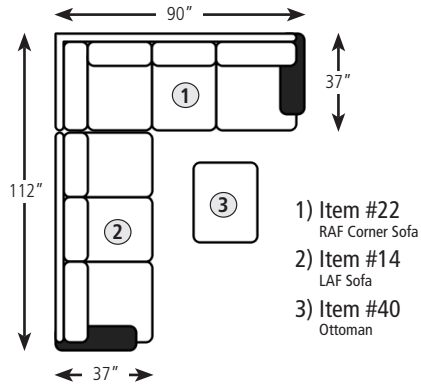
### 5301-64

Tapered Leg  
Arm Option N/A  
Semi-Attached Back  
Left Facing Bump Chaise

### 5400-51

Baseband with casters  
Arm Option N/A  
Back Option N/A  
Angular Ottoman

## Example Sectional Layouts



\*Loose Pillow Back option: add one inch to standard overall depth.

†Track Arm option: subtract approximately two inches per arm from standard overall length.