

SINUOUS SPRING CONSTRUCTION FEATURES

Lifetime Warranty
on all upholstery frames & springs



1 Joints — Unitized frame structure secured with mortis and tenon construction and reinforced with corner braces screwed and glued for added strength. Unitized construction greatly reduces the number of joints thereby eliminating inherent weak spots for a superior frame.

2 Backs — Reinforced with sinuous springs to lend proper support and shape to backs.

3 Arms — Edge roll forms to create contours and shape.

4 Back Pillows — Deeply cushioned back lends extra comfort. The channeled design provides shape retention.

5 Seat Cushions — Ticking that encases a special high-density HR foam cushion wrapped with Dacron for comfort and resiliency.

6 Seat Decks — High quality 100% cotton sateen decking.

7 Padding — Densified batting covers all springs under sateen.

8 Seat Structure — Sinuous seat system using “S” shaped springs tied together with steel wire ensuring a consistent seating platform.

9 Seat Edges — Roll forms around edges for soft shape.

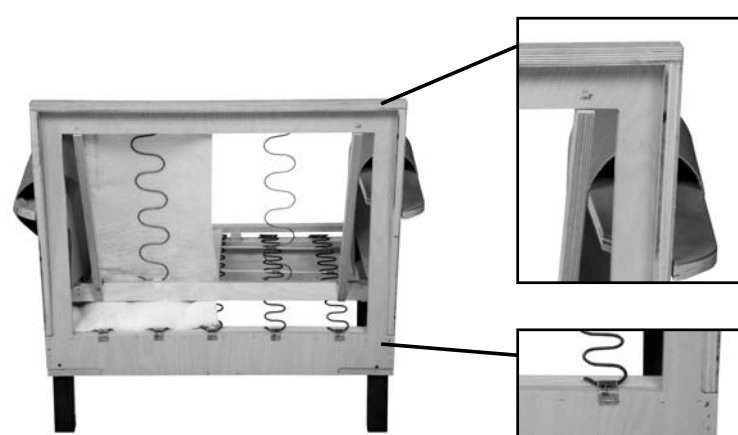
10 Unitized Frames — Select wood composites prevent warping and provide years of service. The Unitized frame engineering allows Kincaid to offer a lifetime warranty on all upholstery frames.

11 Fabrics — Over 600 designer fabrics and fringes along with a complete line of frame styles.

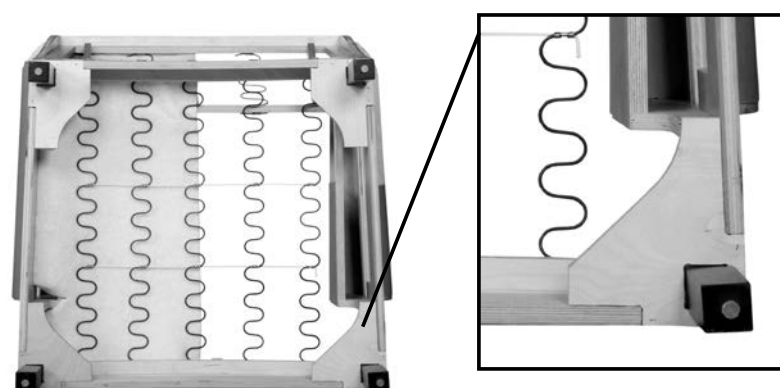
12 Legs — Multi-step finish, solid hardwood legs. When design allows, legs are built into the frames.

Unitized Frame Features

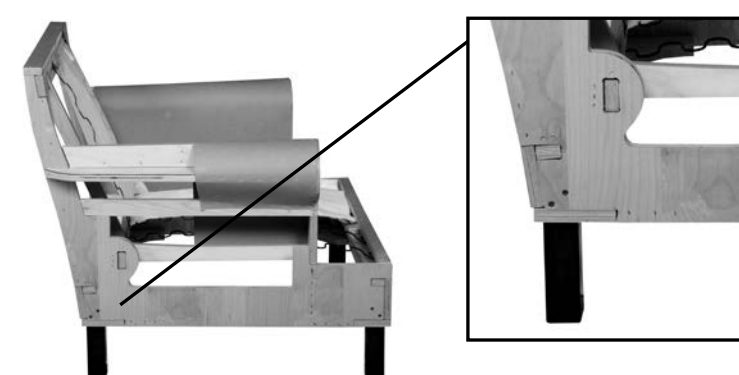
(Note: Sinuous Spring version is shown below; 8-way Hand Tied construction also uses Unitized Frame features and construction.)



Continuous Picture Frame Back: Unitized Frame engineering reduces joints and therefore eliminates common stress points.



Interlocking Corner Bracing: Unitized Frame secured using mortise and tenon joinery and reinforced with fitted corner braces.



Mortise and Tenon Joinery System: Mortise and tenon joinery connects Unitized Frame components with greater surface area and interlocking design.

CONSTRUCTION HIGHLIGHTS • Unitized frame construction with engineered wood composites using corner braces, staples, glue and mortise and tenon joinery • A sinuous arc spring construction with an average of 15 springs per sofa • Springs are double clipped at each arm to prevent rollover and cross braced with a double strand of 16 gauge wire. In addition, spring clips are coated to eliminate squeaking. • A deck pad is placed over spring system to prevent rub through and maximize comfort • True benchmade 8-way hand-tied construction available upon request. • We are so proud of our frame and spring construction we offer a lifetime warranty (see upholstery warranty page for details.)

EIGHT-WAY HAND TIED CONSTRUCTION FEATURES

Lifetime Warranty
on all upholstery frames & springs



1 Back Pillows — Deeply cushioned back lends extra comfort. The channeled design provides shape retention.

2 Backs — Reinforced with sinuous springs to lend proper support and shape to backs.

3 Arms — Edge roll forms to create contours and shape.

4 Joints — Unitized frame structure secured with mortis and tenon construction and reinforced with corner braces screwed and glued for added strength. Unitized construction greatly reduces the number of joints thereby eliminating inherent weak spots for a superior frame.

5 Seat Structure — Premium quality 8-way hand-tied coil system using tempered steel coil springs tied at eight points for comfort and proper seat support. Steel bands under each row of springs guarantee lasting comfort.

6 Seat Cushions — Ticking that encases a special high-density HR foam cushion wrapped with Dacron for comfort and resiliency.

7 Seat Decks — High quality 100% cotton sateen decking.

8 Padding — Densified batting covers all springs under sateen.

9 Seat Edges — Roll forms around edges for soft shape.

10 Unitized Frames — Select wood composites prevent warping and provide years of service. The Unitized frame engineering allows Kincaid to offer a lifetime warranty on all upholstery frames.

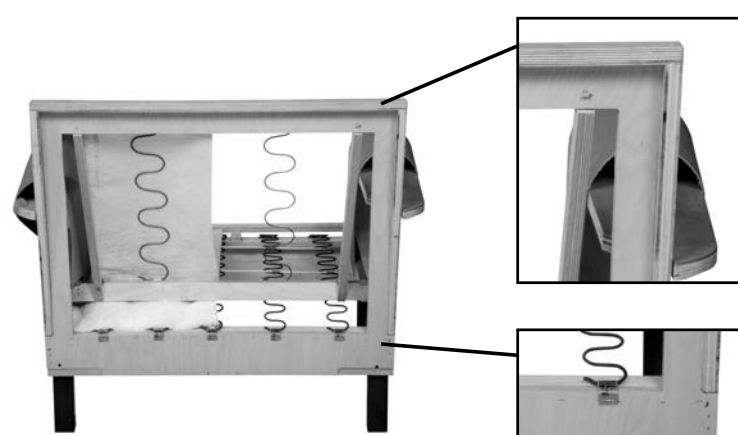
11 Support — Form-fitting corner braces are securely fastened to provide lasting strength.

12 Legs — Multi-step finish, solid hardwood legs. When design allows, legs are built into the frames.

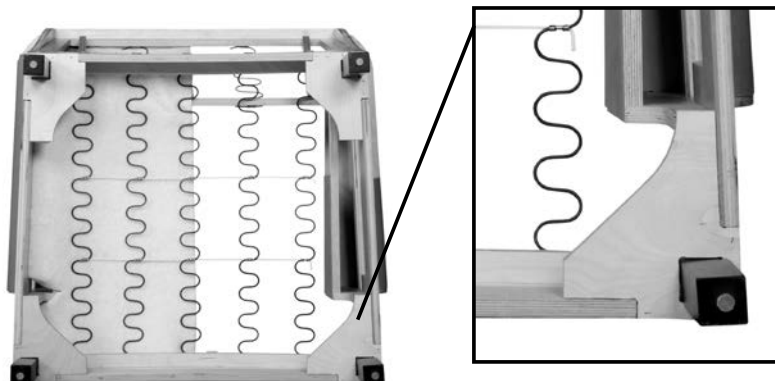
13 Fabrics — Over 600 designer fabrics and fringes along with a complete line of frame styles.

Unitized Frame Features

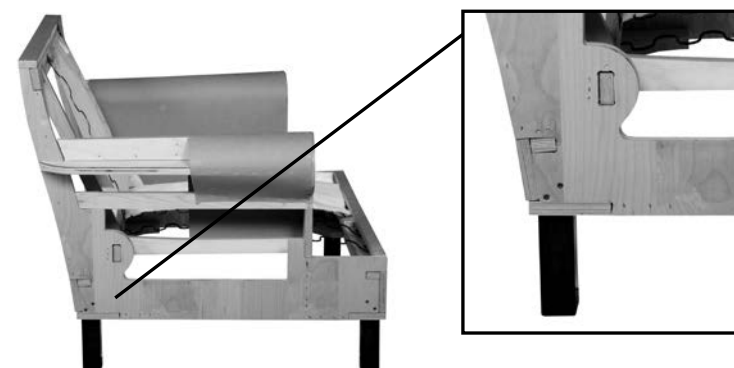
(Note: Sinuous Spring version is shown below; 8-way Hand Tied construction also uses Unitized Frame features and construction.)



Continuous Picture Frame Back: Unitized Frame engineering reduces joints and therefore eliminates common stress points.



Interlocking Corner Bracing: Unitized Frame secured using mortise and tenon joinery and reinforced with fitted corner braces.



Mortise and Tenon Joinery System: Mortise and tenon joinery connects Unitized Frame components with greater surface area and interlocking design.

CONSTRUCTION HIGHLIGHTS • Unitized frame construction with engineered wood composites using corner braces, staples, glue and mortise and tenon joinery • A sinuous arc spring construction with an average of 15 strands per sofa • Springs are double clipped at each arm and cross with an average of 16 gauge wire. In addition, spring clips are coated to eliminate squeaking. • A deck pad is placed over spring system to prevent rub through and maximize comfort • True benchmark 8-way hand-tied construction available upon request. • We are so proud of our frame and spring construction we offer a lifetime warranty (see upholstery warranty page for details.)