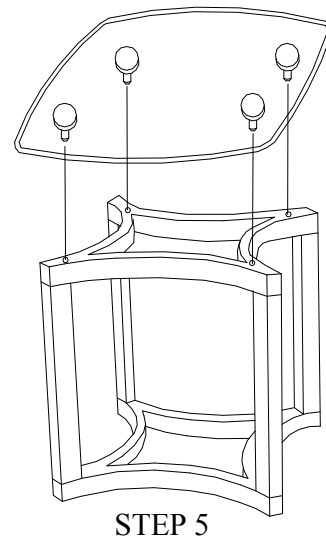
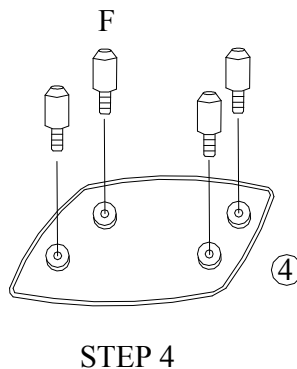
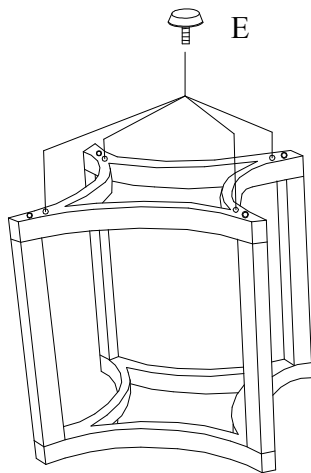
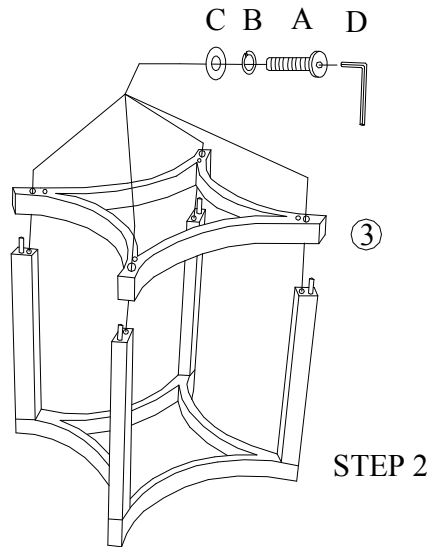
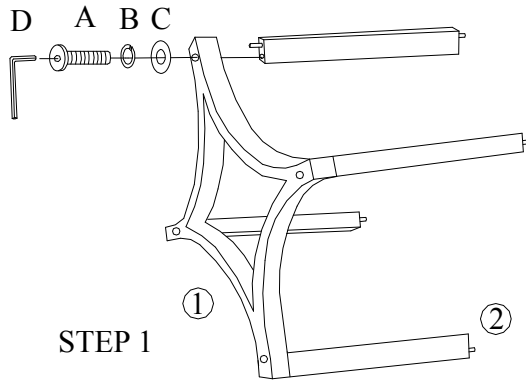
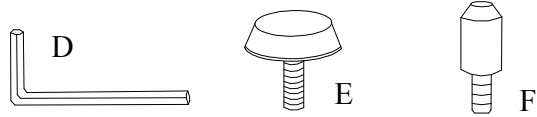




ASSEMBLY INSTRUCTIONS &
PARTS IDENTIFICATION
MODEL #107G/B
ANAGRE W/CURVED FRAMES

Hardware Kit 107P01			
Ltr	Qty	Parts No	Description
A	24PCS		SCREW 1/4"x1-3/4"
B	24PCS		LOCK WASHER
C	24PCS		FLAT WASHER
D	1PC		ALLEN WRENCH 4mm
E	12PCS	107P01F	LEVELER 1/4"xdia23mm
F	12PCS	107P191	GLASS REST INSERT PEG

Parts Key			Qty
①	107P52CT	C/T Top Frame	1PC
①	107P52ET	E/T Top Frame	2PCS
②	107P02C	C/T Leg	4PCS
②	107P02E	E/T Leg	8PCS
③	107P52CB	C/T Bottom Frame	1PC
③	107P52EB	E/T Bottom Frame	2PCS
④	107P37C	Glass Top W/Chrome Rest	1PC
④	107P37E	Glass Top W/Chrome Rest	2PCS



MADE IN CHINA