

PSB9120SV

GE Profile™ Series 30" Single Wall Oven with Advantium® Technology

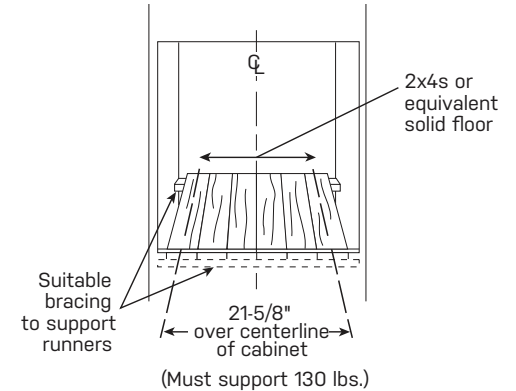
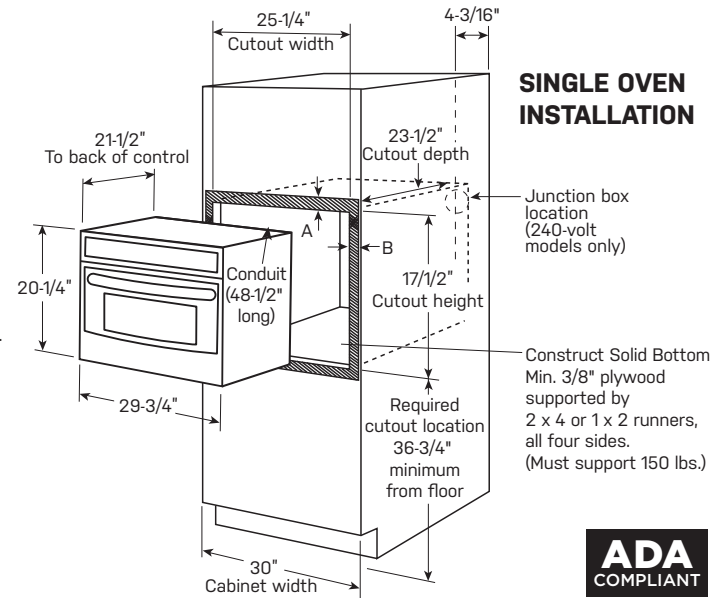
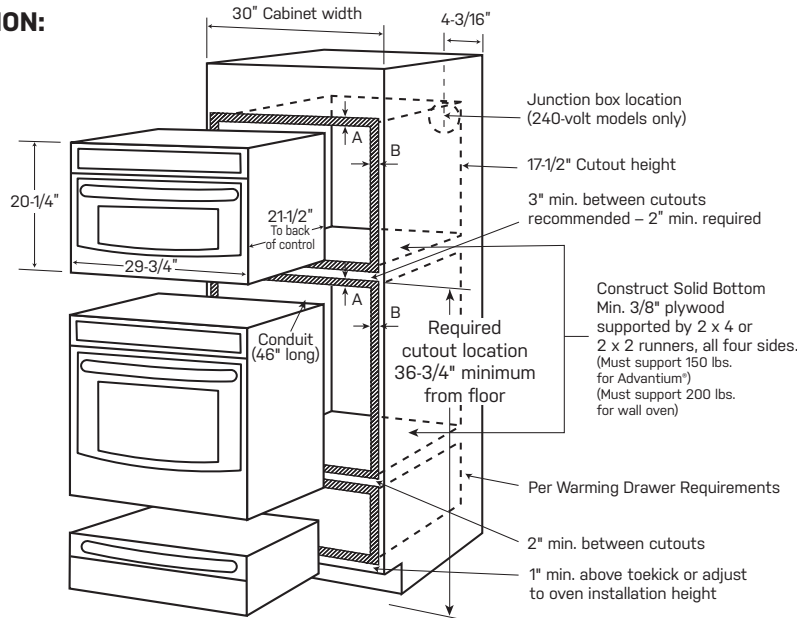
ADVANTIUM WALL OVEN/GE PROFILE™ SERIES COOKING TOWER DIMENSIONS AND CABINET INSTALLATION INFORMATION (IN INCHES)

NOTE:

- Cabinets installed adjacent to wall ovens must have an adhesion spec of at least a 194°F temperature rating.
- 2" minimum between cutouts when installed above warming drawer or single wall oven.
- Advantium® wall ovens can be installed below GE/GE Profile™ Series non-downdraft gas and electric cooktops. It CANNOT be installed below induction or Monogram (2GU3841385) gas cooktops.
- Advantium® wall oven comes with two lower trim pieces. One is for use above 36" height installations and one is for use below 36" installations. Use of the accessory drawer will replace the bottom trim piece for applicable installations. Please see installation instructions for full details.

INSTALLATION INFORMATION:

Before installing, consult installation instructions packed with product for current dimensional data.



A / B = Allow the following clearances around the cutout on the front surface of the cabinet: 1-7/8" from the top, 2-3/8" from the side edges and 1-1/8" from the bottom. **NOTE:** these refer to minimum clearances required for installation and do not reflect actual product dimensions.



For answers to your Monogram, Café™, GE Profile™ or GE Appliances product questions, visit our website at geappliances.com or call GE Answer Center® Service, 800.626.2000.



Listed by Underwriters Laboratories

Product Specification Revised 7/24

PSB9120SV

GE Profile™ Series 30" Single Wall Oven with Advantium® Technology

FEATURES AND BENEFITS

SPEEDCOOK OVEN (120V) – Enjoy oven-quality results two to four times faster than a conventional oven.

MULTIPLE COOKING FUNCTIONS – Expand your cooking versatility with an all-in-one oven.

MULTIPLE HEAT SOURCES – True European convection, microwave and light are used in different combinations to achieve your desired cooking results.

OVER 175 PREPROGRAMMED MENU SELECTIONS – Preprogrammed selections make meals easy.

CUSTOM RECIPE SAVER – Conveniently store cooking instructions for up to 30 different recipes.

IN-OVEN CAMERA – Check on your food from anywhere without opening the oven door by livestreaming video of your food on your smartphone.

BUILT-IN WIFI, POWERED BY SMARTHQ™ APP – Connect, control and manage your oven from anywhere with your smartphone or tablet. (Select features require WiFi Connection.)

BUILT-IN WIFI – Ensure your oven always has the latest features with downloadable software upgrades.

BRILLIANT 7" TOUCHSCREEN DISPLAY – A bright, interactive touch screen is easy to use and includes custom screen backgrounds, weather updates and a pop of intrigue with fun food facts.

ALLOWS FOR USE WITH JX2200/2201 STORAGE DRAWER

UNDER-THE-COUNTER INSTALLATION FLEXIBILITY

MODEL PSB9120SVSS – Stainless steel

