

# Printing Specification

## 1. Specification

1. Specification		1.1 Folding / Cover	
Models	1. Model Name:	40WT95UF	
	2. Suffix:	US/CC/WM	
	3. Part No:	MFL05769716	
	4. REV	REV01	
SIZE	5. Number of pages	8	
	6. Folded/Unfolded	Unfolded	
	7. Trim size (W x H)_Unfolded (mm)	210 x 148	
COVER	8. Trim size (W x H)_folded (mm)	-	
	9. Bindery	Saddle stitching	
	10. Color (Cover)	1	
INNER	11. Paper (Cover)	Wood free	
	12. Weight (cover) (g/m <sup>2</sup> )	80	
	13. Color (inner)	1	
	14. Paper (inner)	Wood free	
	15. Weight (inner) (g/m <sup>2</sup> )	80	
	16. Coating	-	
	17. Thomson	-	
	18. Sub-material	-	
19. Languages		ENG_US/FRE_CA/SPA_LA (3)	

Front

2

3

4

5....

Back

## 2. Origin Notification

<p>Changes the Country name.</p> <p>Copyright © 2021 LG Electronics Inc. All Rights Reserved.</p> <p style="text-align: center;">Printed in Korea ← Printed in [Country Name in English]</p> <p style="text-align: center;">Imprimé en Corée ← Imprimé en(au) [Country Name in French]</p> <p style="text-align: center;">www.lg.com</p>	<p><b>[Country Name] (ENG/FRE)</b></p> <table border="0"> <tr> <td>LGERS/ LGEMX :</td> <td>Printed in Mexico Imprimé au Mexique</td> </tr> <tr> <td>LGEKR:</td> <td>Printed in Korea Imprimé en Corée</td> </tr> <tr> <td>LGEMA:</td> <td>Printed in Poland Imprimé en Pologne</td> </tr> <tr> <td>LGEND:</td> <td>Printed in China Imprimé en Chine</td> </tr> <tr> <td>LGEIN:</td> <td>Printed in Indonesia Imprimé en Indonésie</td> </tr> <tr> <td>Others:</td> <td>Each Country name.</td> </tr> </table>	LGERS/ LGEMX :	Printed in Mexico Imprimé au Mexique	LGEKR:	Printed in Korea Imprimé en Corée	LGEMA:	Printed in Poland Imprimé en Pologne	LGEND:	Printed in China Imprimé en Chine	LGEIN:	Printed in Indonesia Imprimé en Indonésie	Others:	Each Country name.
LGERS/ LGEMX :	Printed in Mexico Imprimé au Mexique												
LGEKR:	Printed in Korea Imprimé en Corée												
LGEMA:	Printed in Poland Imprimé en Pologne												
LGEND:	Printed in China Imprimé en Chine												
LGEIN:	Printed in Indonesia Imprimé en Indonésie												
Others:	Each Country name.												
NOTE	<p><b>[Restriction of Hazardous Substances ]</b></p> <p>Hazardous substances on this product should be satisfied by substance regulation of Level A-I, A-II, SVHC according to LG(52)B-5011 standard. Especially, Part should be followed and controlled the following specification.</p> <p>(1) Hazardous substances test report should be submitted when part certification test and first mass production.</p> <p>(2) Especially, Don't use or contain lead (Pb) and cadmium (Cd) in ink.</p> <p><b>INK REQUIREMENT FOR EU</b></p> <p>(1) The amount of MOAH/MOSH must be less than 0.1% of the weight of the INK used.</p> <p>*MOAH(Mineral Oil Aromatic Hydrocarbons) : Consisting of 1 to 7 aromatic cycles</p> <p>*MOSH(Mineral Oil Saturated Hydrocarbons) : Consisting of 16 to 35 carbon atoms</p> <p>(2) From 01 January 2025 : Ban on the use of MOAH in INK up to a limit of one part per million(1ppm) for compounds of 3 to 7 aromatic cycles</p>												

## 3. History

REV07				
REV06				
REV05				
REV04				
REV03				
REV02				
REV01	01/08/2026	Add the arbitration clause wording : Addition of French to Spanish Title (R2511000011)	EKMPB00156	Gwoon Lee
REV00	07/21/2025	-	-	Checked : Cholong.Kim
				Approved : Jongok.Kim
Rev. Number	Date	Description	ECO Number	Owner
				Gwoon.Lee

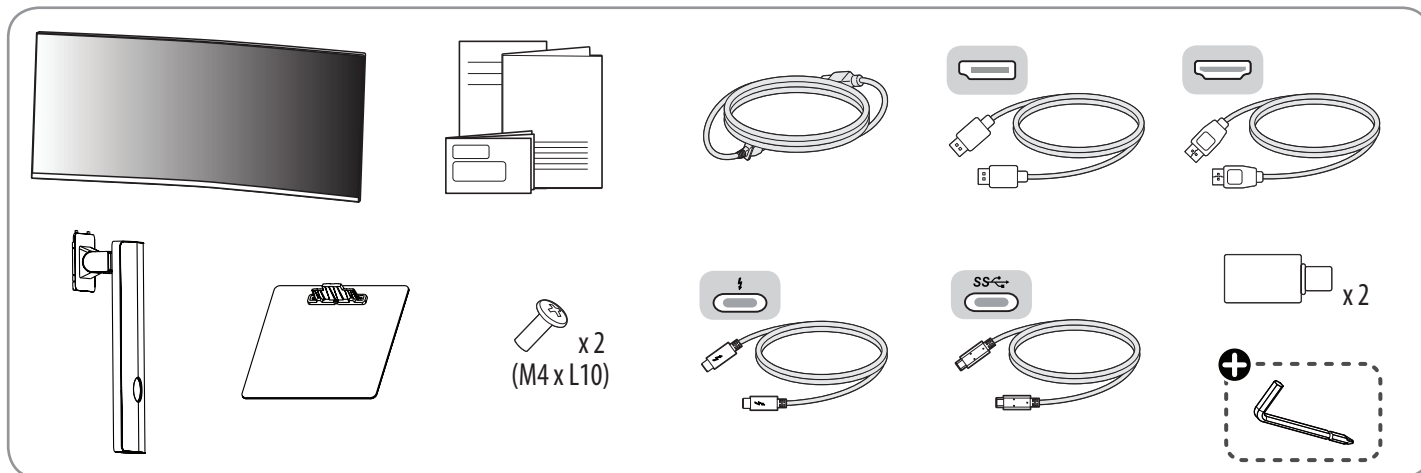


40WT95UF

Please read this manual carefully before operating your set and retain it for future reference.

Veuillez lire ce guide de configuration rapide attentivement avant d'utiliser votre produit et conservez-le pour pouvoir vous y reporter ultérieurement.

Lea atentamente este manual antes de poner en funcionamiento el equipo y consérvelo para futuras consultas.



\* M F L 0 5 7 6 9 7 1 6 \*

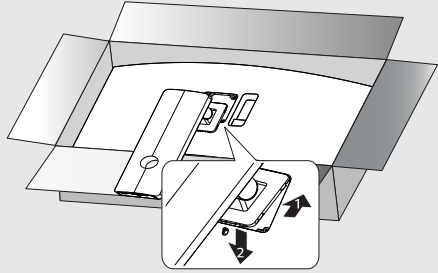
(2601-REV01)

[www.lg.com](http://www.lg.com)

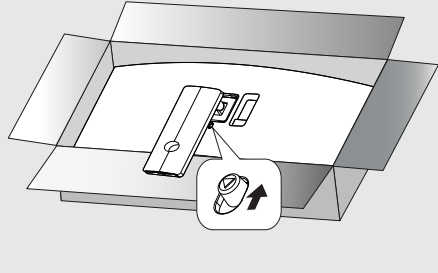
Printed in China  
Imprimé en Chine



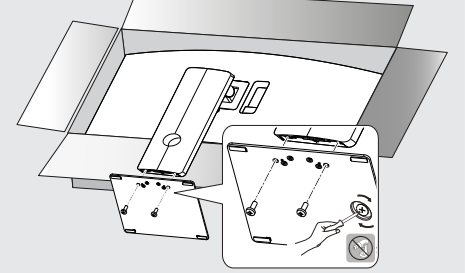
1



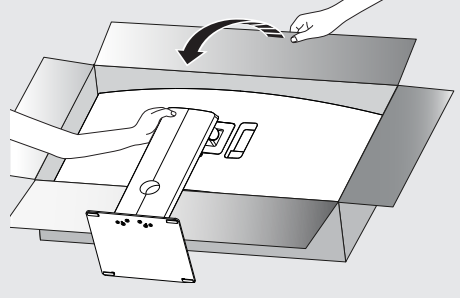
2



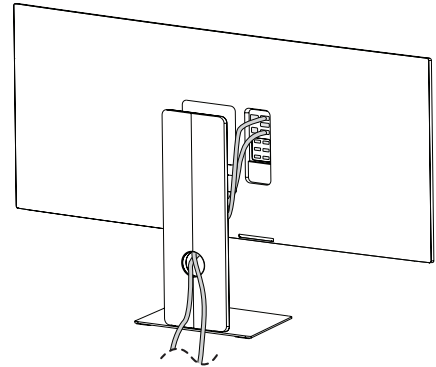
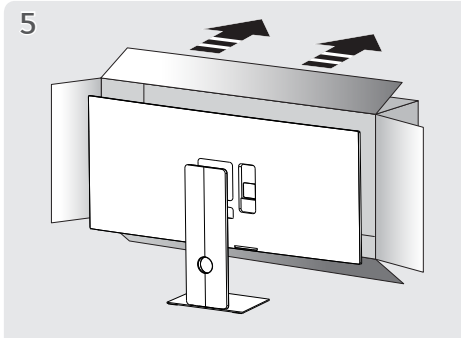
3

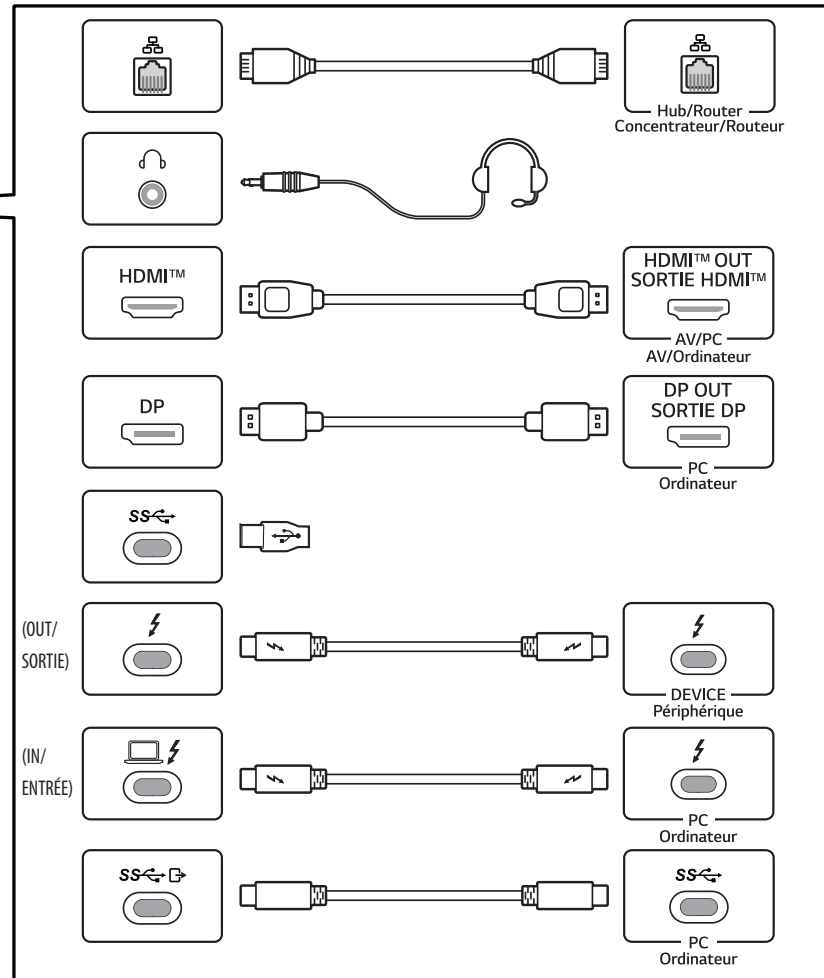
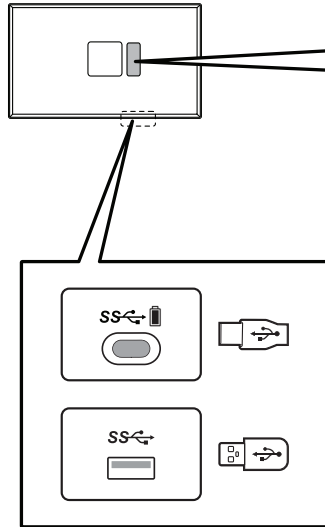


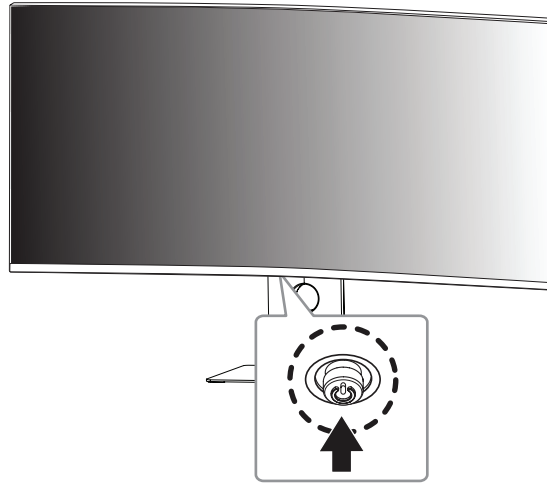
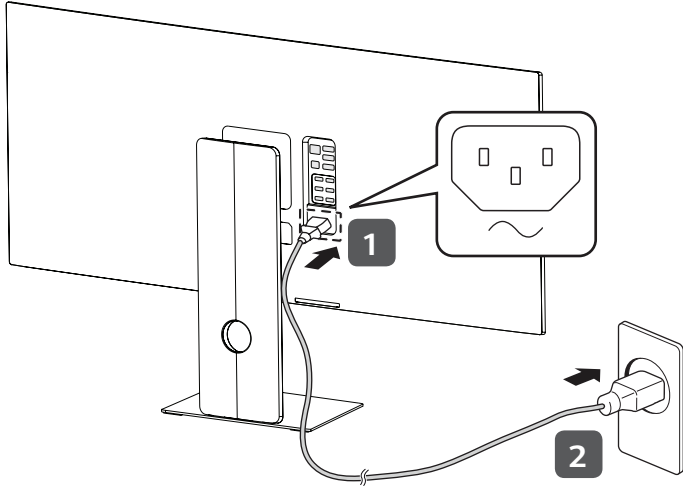
4



5









English	Dimensions (Width x Height x Depth)		Weight		Recommended Resolution	Vertical Frequency
	With Stand 947.7 x 614.3 x 260 (mm) 37.3 x 24.1 x 10.2 (inches)	Without Stand 947.7 x 419.8 x 106.3 (mm) 37.3 x 16.5 x 4.1 (inches)	With Stand 14.1 (kg) 31 (lbs)	Without Stand 9.2 (kg) 20.2 (lbs)		
Français	Dimensions (largeur x hauteur x profondeur)		Poids		Résolution recommandée	Fréquence verticale
	Avec socle 947,7 x 614,3 x 260 (mm) 37,3 x 24,1 x 10,2 (po)	Sans socle 947,7 x 419,8 x 106,3 (mm) 37,3 x 16,5 x 4,1 (po)	Avec socle 14,1 (kg) 31 (lb)	Sans socle 9,2 (kg) 20,2 (lb)		
Español	Dimensiones (anchura x altura x profundidad)		Peso		Resolución recomendada	Frecuencia vertical
	Soporte incluido 947,7 x 614,3 x 260 (mm)	Soporte no incluido 947,7 x 419,8 x 106,3 (mm)	Soporte incluido 14,1 (kg)	Soporte no incluido 9,2 (kg)		
Clasificación de potencia			100-240 V~ 50/60 Hz 2,5 A			

**English****ARBITRATION NOTICE (USA) / États-Unis seulement**

By using this product, you agree that all disputes between you and LG arising out of or relating in any way to this product (including but not limited to warranty disputes) shall be resolved through binding arbitration on an individual basis, unless the laws of your state or territory do not permit that, or, in other jurisdictions, if you choose to opt out.

Additional information regarding the terms of the arbitration agreement (including details on the procedure for resolving disputes) is available at [www.lg.com/us/arbitration](http://www.lg.com/us/arbitration) (USA) and/or your owner's manual or warranty.

**Español****AVISO DE ARBITRAJE (EE. UU.) / États-Unis seulement**

Al utilizar este producto, usted acepta que todas las disputas entre usted y LG que surjan de este producto o se relacionen de alguna manera con él (incluidas, entre otras, las disputas de garantía) se resolverán mediante arbitraje vinculante de forma individual, a menos que las leyes de su estado o territorio no lo permitan, o en otras jurisdicciones, si decide optar por no participar.

Los sitios web [www.lg.com/us/arbitration](http://www.lg.com/us/arbitration) (EE. UU.) y/o el manual del propietario o la garantía contienen información adicional sobre los términos del acuerdo de arbitraje (incluidos detalles sobre el procedimiento para resolver disputas).



