



Scan to see the online manual.



# OWNER'S MANUAL

# **AIR PURIFIER**

---

Read this owner's manual thoroughly before operating the appliance and keep it handy for reference at all times.

**ENGLISH**

AS351GW30

# TABLE OF CONTENTS

## **3 IMPORTANT SAFETY INSTRUCTIONS**

---

- 3 READ AND SAVE THESE INSTRUCTIONS
- 3 WARNING INSTRUCTIONS
- 6 CAUTION INSTRUCTIONS

## **8 OPERATION**

---

- 8 Product Overview
- 10 Preparation before Operation
- 12 Product Features
- 14 Operating the Air Purifier
- 15 Using the Extra Functions
- 16 Overall Air Quality

## **17 SMART FUNCTIONS**

---

- 17 LG ThinQ Application
- 18 Smart Diagnosis

## **20 MAINTENANCE**

---

- 20 Maintaining the Product

## **23 TROUBLESHOOTING**

---

- 23 Before Calling for Service

## **25 APPENDIX**

---

- 25 Information

## **26 LIMITED WARRANTY**

---

- 26 USA

# IMPORTANT SAFETY INSTRUCTIONS

## READ AND SAVE THESE INSTRUCTIONS

The following safety guidelines are intended to prevent unforeseen risks or damage from unsafe or incorrect operation of the appliance.

The guidelines are separated into 'WARNING' and 'CAUTION' as described below.

### Safety Messages

**Your safety and the safety of others are very important.**

We have provided many important safety messages in this manual and on your appliance. Always read and follow all safety messages.



This is the safety alert symbol.

This symbol alerts you to potential hazards that can kill or injure you and others. All safety messages will follow the safety alert symbol and either the word WARNING or CAUTION.

These words mean:



#### **WARNING**

You may be killed or seriously injured if you do not follow instructions.



#### **CAUTION**

You may be injured or cause damage to the product if you do not follow instructions.

All safety messages will tell you what the potential hazard is, tell you how to reduce the chance of injury, and tell you what may happen if the instructions are not followed.

## WARNING INSTRUCTIONS

### **WARNING**

- To reduce the risk of explosion, fire, death, electric shock, injury or scalding to persons when using this product, follow basic precautions, including the following:

### Technical Safety

- This appliance is not intended for use by persons (including children) with reduced physical, sensory or mental capabilities or lack of experience and knowledge, unless they have been given supervision or instruction concerning use of the appliance by a person responsible for their safety. Children should be supervised to ensure that they do not play with the appliance.
- The fan is not a toy. It should not be played with or placed where young children can reach it.
- If the supply cord is damaged, it must be replaced by the manufacturer, its service agent or similarly qualified person in order to avoid a hazard.
- Only an authorized repair person should disassemble, repair, or modify the appliance.
- Do not touch the power plug with wet hands.
- Do not install and use broken parts.
- Do not continue to use the product if it is visibly damaged.
- The appliance is only to be used with the power supply unit provided with the appliance.
  - Failure to use the supplied power supply may result in reduced performance or failure of the product, and may result in safety hazards.

## 4 IMPORTANT SAFETY INSTRUCTIONS

---

- The appliance must only be supplied at safety extra low voltage corresponding to the marking on the appliance.
- Be careful not to subject the power plug and adapter to shock.
- Do not use the product if it has been dropped on the floor.
- To reduce The Risk Of Fire, Electric Shock Or Injury To Persons, Do Not Use Replacement Parts That Have Not Been Recommended By The Manufacturer (e.g. Parts Made At Home Using A 3D Printer).
- To Reduce The Risk Of Fire Or Electric Shock, Do Not Use This Fan With Any Solid-State Speed Control Device.
- RISK OF ELECTRIC SHOCK - These servicing instructions are for use by qualified personnel only. To reduce the risk of electric shock, do not perform any servicing other than that contained in the operating instructions unless you are qualified to do so.
- This manual is also available in a PDF format at <https://www.lg.com> and you can obtain a printed copy of the manual from the PDF format.

## Installation

- Do not install the appliance on an uneven or inclined surface.
- Do not install the appliance in an area exposed to direct sunlight or near heat-generating equipment.
- Do not install the product in a place where combustible gas may leak or industrial oil or metallic particulates are present.
- Do not allow the appliance to push against the power cord or plug.
- Do not bend the power cable excessively or place a heavy object on top of it.
- Do not extend the length of the power cable or alter it.
- Do not use several devices on a multi-socket extension outlet.
- Make the connection securely so that screw-in terminals will not be loosened when the cable is pulled.
- Make sure that the power cable cannot be pulled out or damaged during operation.
- When unplugging the power cord, always pull it by the plug.
- Unplug the appliance during thunder or lightning storms or when not in use for a long time.
- This appliance has a polarized plug (one blade is wider than the other).
  - To reduce the risk of electric shock, this plug is intended to fit in a polarized outlet only one way.
  - If the plug does not fit fully in the outlet, reverse the plug. If it still does not fit, contact a qualified electrician.
  - Do not attempt to defeat this safety feature.
- Do not run cord under carpeting. Do not cover cord with throw rugs, runners, or similar coverings.
- Do not route cord under furniture or appliances. Arrange cord away from traffic area and where it will not be tripped over.

## Operation

- If the appliance is immersed in water, stop using it and contact an LG Electronics Customer Information Center.
- Do not operate any fan with a damaged cord or plug. Discard fan or return to an authorized service facility for examination or repair.
- If there is a gas leakage (isobutane, propane, LNG, etc.), do not touch the appliance or power plug and ventilate the area immediately.
- If you detect any abnormal noise, odor or smoke, unplug the appliance immediately and contact an LG Electronics Customer Information Center.

- Do not use or store fire, combustibles (ether, benzene, alcohol, drugs, propane, butane, combustible sprays, insecticide, air freshener, cosmetics, etc.) or flammable materials (candles, lamps, etc.) near the product.
- Do not allow animals or pets to chew on the power cord.
- Do not move the appliance when it is in operation.
- Do not hit the appliance.
- Do not insert hands or metal objects into the air inlet or outlet.
- Do not put flammables into the appliance.
- Do not move or operate the appliance while its cover is open.
- Do not allow children to climb on or play with the appliance.
- Do not place anything on top of the appliance.
- User Servicing Instructions.
  - Only an authorized repair person from an LG Electronics service center should disassemble, repair, or modify the product.

## Maintenance

- Dispose of the packing materials (vinyl, styrofoam, etc.) to keep them out of the reach of children.
- Take care not to injure or pinch yourself when you detach and reattach parts of the appliance.
- Turn off and unplug the appliance before cleaning it or replacing the filter.
- Do not clean the appliance with brushes, cloths or sponges which are abrasive or made of metal.
- For inner cleaning, contact an Authorized Service Center or a dealer.
- Do not use harsh detergent that can cause corrosion or damage to the unit.
- Harsh detergent may also cause failure of product, fire, or electric shock.

## CAUTION INSTRUCTIONS

### CAUTION

- To reduce the risk of minor injury to persons, malfunction, or damage to the product or property when using this product, follow basic precautions, including the following:
- 

### Installation

- Do not tilt the appliance to pull or push it when transporting.
- Do not install the appliance in a vehicle, RV, or marine vessel.
- Do not place the appliance near a TV or stereo equipment.
- Do not place the appliance under bright light.
- The appliance must be installed in accordance with national wiring regulations.
- When moving or storing the appliance, wrap the power cord around the base of the appliance to prevent personal injury, damage to the cord or damage to floors.
- Do not place the appliance near curtains.
- Insert the adapter all the way into the adapter connection terminal, and avoid moving it while connected.

### Operation

- Do not use the product for removal of toxic gas such as carbon monoxide.
- Do not use the product for ventilation purposes.
- Do not use the appliance for a long time in a region with unstable voltage.
- Do not place obstacles around the air inlet or outlet.
- For safe use of the appliance, children or others with reduced mental capabilities need to be closely monitored by a person who is responsible for their safety.
- Do not use the product for special purposes such as preserving plants, precision instruments, artworks, etc.
- Do not operate the appliance with wet hands.
- Do not let the moisture from a humidifier directly touch the appliance.
- Do not use the appliance while it is not in an upright position.
- Do not use the appliance near objects vulnerable to heat.
- Do not use detergents, cosmetics, chemicals, air fresheners, or disinfectants in the appliance.
- Do not touch any internal parts while the unit is operating or immediately after operation.
- Use the filter only for its intended purpose.
- The Deodorization filter and Dust Collection filter are assembled together. Do not try to detach them from each other.
- Do not insert any objects into the air outlet.

### Maintenance

- Do not use strong detergents or solvents to clean the appliance. Use a soft cloth to clean.
- Do not clean the appliance with an alkaline detergent.
- Do not wipe the appliance surface using sulfuric acid, hydrochloric acid or organic solvents (thinner, kerosene etc.) or attach a sticker on the appliance.

- Do not allow water inside the appliance.
- Do not wash the filter with water.
- Be careful not to damage the ultra-fine filter when cleaning it with a vacuum cleaner.

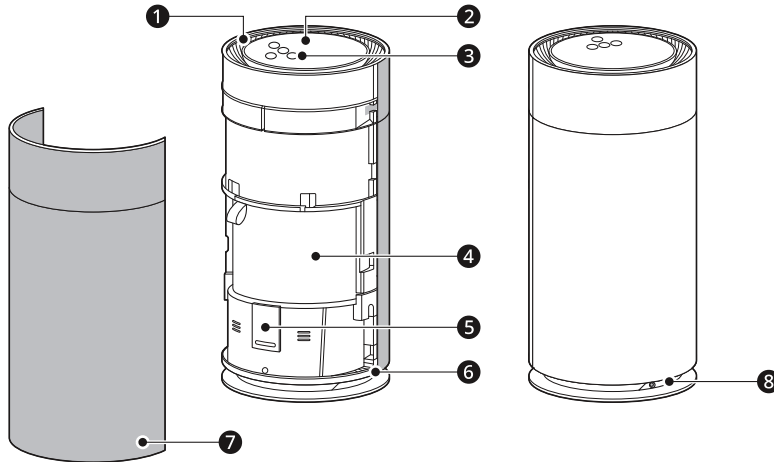
**SAVE THESE INSTRUCTIONS**

# OPERATION

- The exterior or components of the product may vary depending on the model.

## Product Overview

### Air Purifier



#### 1 Air Outlet

- Emits purified air by the filter.

#### 2 Status Panel

- Displays the settings of the appliance and the air quality.

#### 3 Control Panel

- Sets the appliance functions.

#### 4 Filter

- Eliminates fine particulates, smog-causing materials, other odors.

#### 5 PM1.0 Sensor

- Detects the concentration of particulate matter (PM).

#### 6 Handle

- Use to carry and move the product.

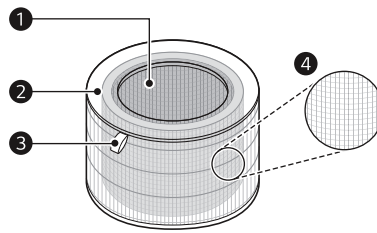
#### 7 Air Inlet (Cover)

- Air is sucked into the air purifier through the air inlet.
- Front and rear covers can be disassembled separately.

#### 8 Adapter Connection Terminal

- The adapter can be removed.

## Filter



### 1 Deodorization Filter

- This filter removes smog-causing substances (SO<sub>2</sub>, NO<sub>2</sub>) and household odors (ammonia, acetic acid, acetaldehyde)

### 2 Dust Collection Filter

- Minimizes PM1.0 and cigarette smoke from the air.

### 3 Filter Handle

- Used to remove or install the filter.
- The side with the handle should face upwards.

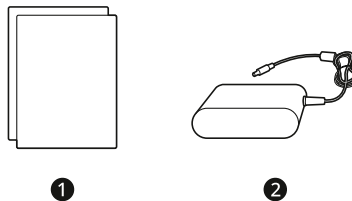
### 4 Ultra-Fine Filter

- The Ultra-Fine Filter is attached to the exterior of the filter and primarily removes household dust with large particles from the air.

## ⚠ CAUTION

- Do not forcefully separate the filters, as the filters are attached.
- Do not throw the filters or use them for other purposes.

## Components



1 Owner's Manual

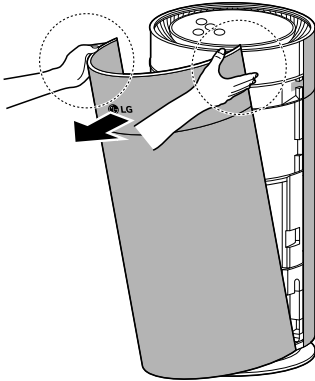
2 Adapter

## Preparation before Operation

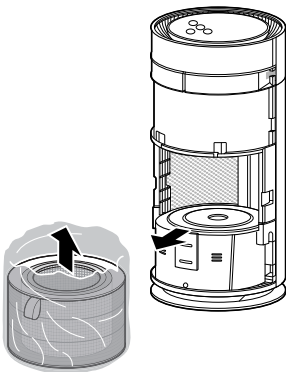
### Removing the Protective Vinyl from the Filter

Unpack the appliance and remove all packing tape and filter packaging before using the appliance.

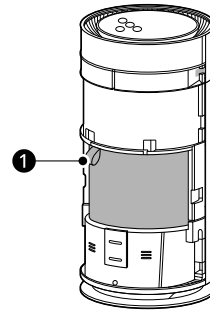
- 1 Take the product out of the box, and remove the film and packing tape attached to the product.
- 2 Hold the top of the front cover with the LG logo on it. Pull the cover forward to remove it.



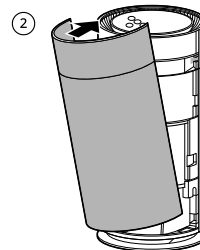
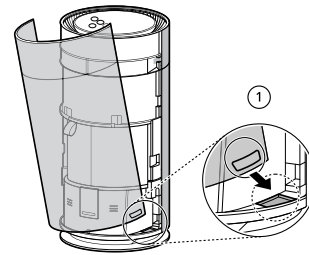
- 3 Remove the filter and unpack it.
  - Remove the filter from the protective vinyl packaging.



- 4 Install the filter in the product.
  - Make sure that the side with the filter handle (1) is facing up.



- 5 To reinstall the cover, fit the tabs at the bottom of the cover into the groove around the base of the product and then close the cover.



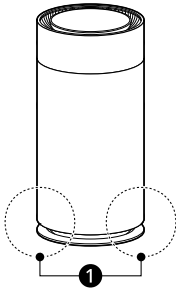
### CAUTION

- Be sure to remove the protective vinyl from the filter before using the product.
- Install the filter with the handle at the top. Failure to do so may cause product malfunction and failure.

### Transportation Requirements

- Before moving or storing the product, wrap the cord around the lower part of the product to keep the power plug from touching the floor.
  - Failure to do so may damage the power plug or scratch the floor.

- Carry the product safely by using the handle(1) at the bottom of the product with both hands.



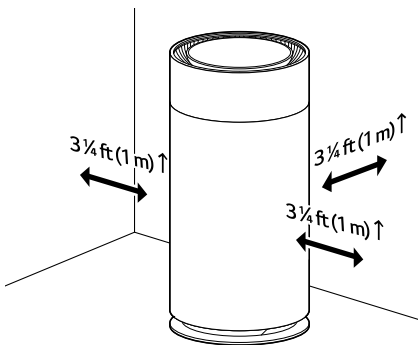
### ⚠ CAUTION

- Do not carry the product by holding the external cover.
  - Doing so may allow the cover to open and the product to drop. Dropping the appliance may cause personal injury or product malfunction.

### Installation Location Requirements

Install the product at least 3 1/4 ft (1m) from walls.

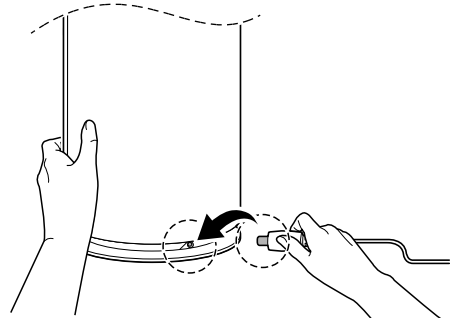
- If there is not enough room for air suction, the air purification performance may be affected.



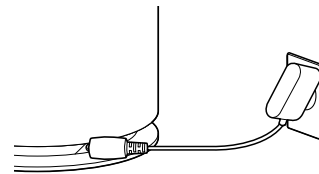
- The performance of the product may differ depending on the operating environment (considering factors such as temperature and humidity).
  - At humidity levels of 40 % – 70 %, the product's guaranteed performance standards can be achieved.
- Do not install the product near direct sunlight or bright lighting.
  - Doing so may cause discoloration of the product.

### Connecting the Power

- 1 Connect the adapter to the adapter connection terminal on the back of the product.



- 2 Plug the power plug of the adapter into the outlet.



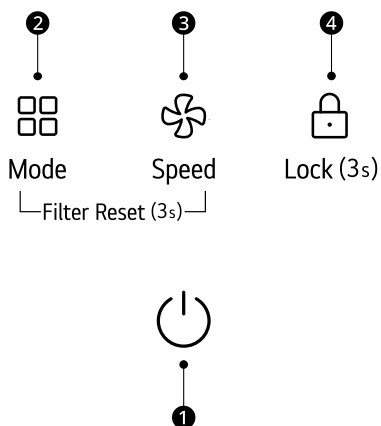
### NOTE

- Hold the product and connect or disconnect the adapter horizontally.
- Connect the adapter to the end of the adapter connection terminal, and do not move it after it is connected. (Doing so may result in damage.)
- Be careful not to apply impact to the adapter. Doing so may result in damage.

## Product Features

### Controlling the Air Purifier

#### Control Panel



#### ① Start/Stop Button

Turns the product on or off.

- To prepare the product to connect to Wi-Fi through the **LG ThinQ** application, press and hold the **Start/Stop** button for 3 seconds.

#### ② Mode Button

Sets the operating mode.

#### ③ Speed Button

Sets the fan speed.

#### ④ Lock Button

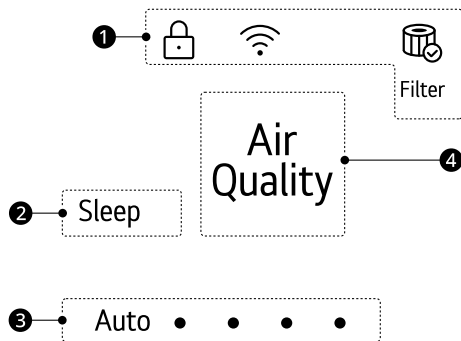
To lock or unlock the control panel buttons, press and hold the **Lock** button for 3 seconds or more.

#### NOTE

- Use additional functions by pressing the buttons on the control panel for 3 seconds.

Long press (more than 3 seconds)	Extra Functions
	Filter Replacement Notification Reset

## Status Panel



### 1 Add-on Display

Icon	Description
	Lights up when the control panel is locked.
	Lights up when the Wi-Fi function is activated.
	Lights up when it is time to replace the filter.

### 2 Operating Mode Display

Indicates the current operating mode.

### 3 Fan Speed Display

Displays the air purifier's fan speed.

Speed	Display	Description
Auto	Auto ●●●●	Number of indicator lights changes according to the overall air quality.
Low	●	1 light ON
Middle	●●	2 lights ON
High	●●●	3 lights ON
Turbo	●●●●	4 lights ON

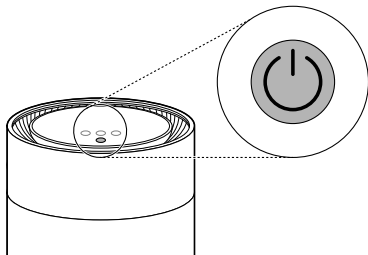
### 4 Overall Air Quality (Color)

The overall air quality is indicated by color. See **Overall Air Quality** for detailed color information.

## Operating the Air Purifier

### Start/Stop

Press the **Start/Stop** button to turn the air purifier on or off.

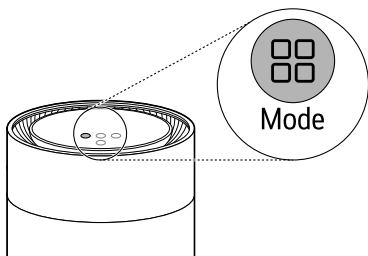


#### NOTE

- When it is turned on for the first time, the appliance operates in **Purify** mode.
- The most recently used mode is saved if the power supply is cut off as the result of a power failure.
- After the air purifier is turned on, the air quality light turns white while the sensor is stabilized. After about 30 seconds, the overall air quality display changes color based on the concentration of particles.

### Operating Mode

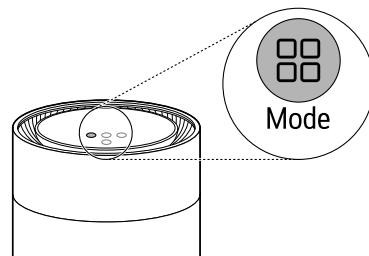
Each time you press the **Mode** button, the mode changes in the following order: **Purify** → **Sleep**.



### Using Purify Mode

This mode is for normal purification of indoor air. Press the **Mode** button to choose the **Purify** mode.

- Each time you press the button, the operating mode changes in the following order: **Purify** → **Sleep**.



#### NOTE

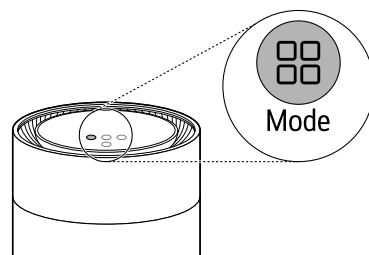
- **Purify** mode is not displayed on the status panel.

### Using Sleep Mode

Use this mode for quieter operation when you plan to sleep.

Press the **Mode** button to choose **Sleep** mode.

- Each time you press the button, the operating mode changes in the following order: **Purify** → **Sleep**.



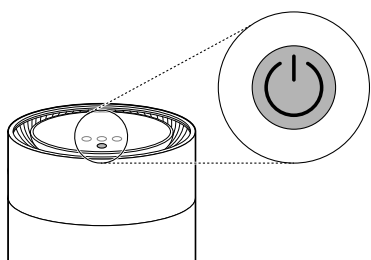
#### NOTE

- The whole display is turned off except for the display of **Sleep** mode.
- You cannot set the operation time in **Sleep** mode separately. To cancel the **Sleep** mode, press the **Mode** button again.

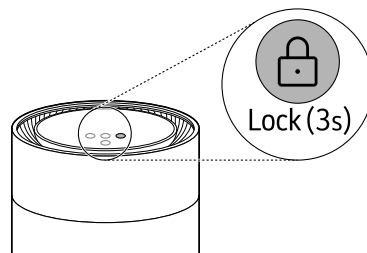
### Adjusting the Fan Speed

Adjust the fan speed from the air purifier.

- 1 Press the **Start/Stop** button to turn on the product.

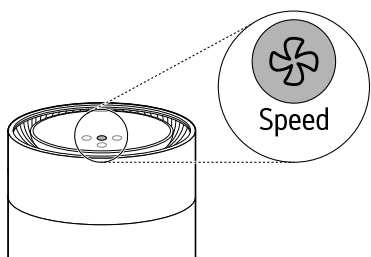


- The lock icon is displayed on the status panel when the lock function is set.



**2** To adjust the fan speed, press the **Speed** button.

- Each time the button is pressed, the fan speed changes in the order of **Auto** → **Low** → **Medium** → **High** → **Turbo**.



#### NOTE

- Use the same method to turn the Lock function on or off.
- The Lock function can be turned on or off whether the air purifier is running or not.

#### NOTE

- When the product is started for the first time, **Auto** is set as the fan speed. The **Auto** setting automatically adjusts the fan speed depending on the air quality of the indoor air.

## Using the Extra Functions

### Locking the Control Panel

Lock the buttons when you want to prevent children or pets from accidentally changing settings.

Press the **Lock** button for 3 seconds to lock the controls.

## Overall Air Quality

### Understanding Overall Air Quality

The overall air quality is calculated based on the concentration of particulates and is categorized in 4 levels based on the level of pollution in the air. (Green, Yellow, Orange, and Red)

Color	Overall air quality	Concentration of PM ( $\mu\text{g}/\text{m}^3$ )		
	Status	PM10	PM2.5	PM1.0
<b>Red</b>	Poor	255 or more	56 or more	56 or more
<b>Orange</b>	Unhealthy	155 ~ 254	36 ~ 55	36 ~ 55
<b>Yellow</b>	Moderate	55 ~ 154	13 ~ 35	13 ~ 35
<b>Green</b>	Good	54 or less	12 or less	12 or less

#### NOTE

- Overall air quality can be seen by the color of the air quality indicator.
- The color of the overall air quality indicator is determined based on the concentration of particulate matter (PM).
- PM concentration values are based on the data sheet provided by the sensor manufacturer.
- The PM concentration measurement was tested using LG Electronics' standard test materials.

# SMART FUNCTIONS

## LG ThinQ Application

The **LG ThinQ** application allows you to communicate with the appliance using a smartphone.

### LG ThinQ Application Features

#### Smart Diagnosis

If you experience a problem while using the appliance, this **Smart Diagnosis** feature will help you diagnose the problem.

#### Settings

Allows you to set various options on the appliance and in the application.

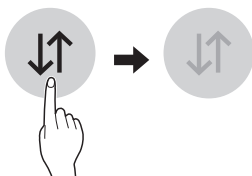
#### NOTE

- In the following cases, you must update the network information for each appliance in the **LG ThinQ** application under **Device Cards** → **Settings** → **Change Network**.
  - wireless router is changed
  - wireless router password is changed
  - Internet service provider is changed
- The application is subject to change for appliance improvement purposes without notice to users.
- Functions may vary by model.

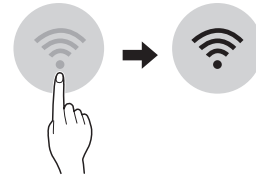
### Before Using LG ThinQ Application

This feature is only available on models with Wi-Fi function.


- 1 Check the distance between the appliance and the wireless router (Wi-Fi network).
  - If the distance between the appliance and the wireless router is too far, the signal strength becomes weak. It may take a long time to connect or installation may fail.
- 2 Turn off the Mobile data or Cellular Data on your smartphone.



- 3 Connect your smartphone to the wireless router.



#### NOTE

- To verify the Wi-Fi connection, check that the Wi-Fi  icon on the status panel is lit.
- **The appliance supports 2.4 GHz Wi-Fi networks only.** To check your network frequency, contact your Internet service provider or refer to your wireless router manual.
- **LG ThinQ** is not responsible for any network connection problems or any faults, malfunctions, or errors caused by network connection.
- If the appliance is having trouble connecting to the Wi-Fi network, it may be too far from the router. Purchase a Wi-Fi repeater (range extender) to improve the Wi-Fi signal strength.
- The Wi-Fi connection may not connect or may be interrupted because of the home network environment.
- The network connection may not work properly depending on the Internet service provider.
- The surrounding wireless environment can make the wireless network service run slowly.
- If the appliance cannot be connected due to problems with the wireless signal transmission, unplug the appliance and wait about a minute before trying it again.
- If the firewall on your wireless router is enabled, disable the firewall or add an exception to it.
- The wireless network name (SSID) should be a combination of English letters and numbers. (Do not use special characters.)
- Smartphone user interface (UI) may vary depending on the mobile operating system (OS) and the manufacturer.
- If the security protocol of the router is set to WEP, the network setup may fail. Change the security protocol (WPA2 is recommended) and connect the product again.

## Installing the LG ThinQ Application

Search for the **LG ThinQ** application from the Google Play Store or Apple App Store on a smartphone. Follow instructions to download and install the application.

## Open Source Software Notice Information

To obtain the source code that is contained in this product, under GPL, LGPL, MPL, and other open source licenses that have the obligation to disclose source code, and to access all referred license terms, copyright notices and other relevant documents, please visit <https://opensource.lge.com>.

LG Electronics will also provide open source code to you on CD-ROM for a charge covering the cost of performing such distribution (such as the cost of media, shipping, and handling) upon email request to [opensource@lge.com](mailto:opensource@lge.com).

This offer is valid to anyone in receipt of this information for a period of three years after our last shipment of this product.

## FCC Notice

The following notice covers the transmitter module contained in this product.

This equipment has been tested and found to comply with the limits for a Class B digital device, pursuant to Part 15 of the FCC Rules. These limits are designed to provide reasonable protection against harmful interference in a residential installation. This equipment generates, uses, and can radiate radio frequency energy and, if not installed and used in accordance with the instructions, may cause harmful interference to radio communications. However, there is no guarantee that interference will not occur in a particular installation. If this equipment does cause harmful interference to radio or television reception, which can be determined by turning the equipment off and on, the user is encouraged to try to correct the interference by one or more of the following measures:

- Reorient or relocate the receiving antenna.
- Increase the separation between the equipment and the receiver.
- Connect the equipment into an outlet on a circuit different from that to which the receiver is connected.
- Consult the dealer or an experienced radio/TV technician for help.

This device complies with part 15 of the FCC Rules. Operation is subject to the following two conditions:

- (1) This device may not cause harmful interference and
- (2) This device must accept any interference received, including interference that may cause undesired operation.

Any changes or modifications in construction of this device which are not expressly approved by the party responsible for compliance could void the user's authority to operate the equipment.

## FCC RF Radiation Exposure Statement

This equipment complies with FCC radiation exposure limits set forth for an uncontrolled environment. This transmitter must not be co-located or operating in conjunction with any other antenna or transmitter.

This equipment should be installed and operated with a minimum distance of 20 cm (7.8 inches) between the antenna and your body. Users must follow the specific operating instructions for satisfying RF exposure compliance.

## RF Radiation Exposure Statement

- This equipment must be installed and used at a minimum distance of 20 cm (7.8 inches) from the human body.

## RF Module Specifications

Type	Frequency Range	Output Power (Max.)
Wi-Fi	2 412 - 2 462 MHz	< 30 dBm
Bluetooth	2 402 - 2 480 MHz	< 30 dBm

## Smart Diagnosis

Use this feature to help you diagnose and solve problems with your appliance.

### NOTE

- For reasons not attributable to LGE's negligence, the service may not operate due to external factors such as, but not limited to, Wi-Fi

---

unavailability, Wi-Fi disconnection, local app store policy, or app unavailability.

- The feature may be subject to change without prior notice and may have a different form depending on where you are located.
- 

## Using LG ThinQ to Diagnose Issues

If you experience a problem with your Wi-Fi equipped appliance, it can transmit troubleshooting data to a smartphone using the **LG ThinQ** application.

- Launch the **LG ThinQ** application and select the **Smart Diagnosis** feature in the menu. Follow the instructions provided in the **LG ThinQ** application.


# MAINTENANCE

## Maintaining the Product

### Scheduled Maintenance

#### ⚠ WARNING

- Stop the appliance operation and unplug the power cord before cleaning and replacing the filter.
- Do not spray water directly on the appliance.

Component	Cleaning frequency	Replacement frequency
 Filter	<b>Ultra-fine filter</b> Clean filter as needed	1 year

#### NOTE

- The color of the filter may vary depending on the usage environment and color of dust.
- The cleaning frequency may vary depending on the operating hours and environment of the appliance.
- If you do not clean the product according to the cleaning frequency, you may experience a bad odor and poor performance.
- The filter must be replaced at the end of its lifespan, and the cost of replacement filters is not covered under the warranty. To purchase new filters, contact an LG Electronics Customer Information Center or visit the website at [www.lg.com](http://www.lg.com)
- The upper and lower parts of the filter are made of paper instead of plastic. Repeated removal of the filter may cause scratches on the top and bottom of the filter.
- Scratches on the top and bottom of the filter will not affect its performance.

### Cleaning the Exterior

- 1 Remove dust from the air inlet and outlet using a vacuum cleaner.

- 2 Wipe the exterior of the product with a soft cloth.

#### ⚠ CAUTION

- Do not wipe the appliance with an alkaline detergent.
- Never use sulphuric acid, hydrochloric acid or organic solvent (for example, thinner, kerosene and acetone) to wipe the appliance exterior, or affix labels on the exterior. Doing so may damage the product surface.
- Care should be exercised to prevent water from entering the product..

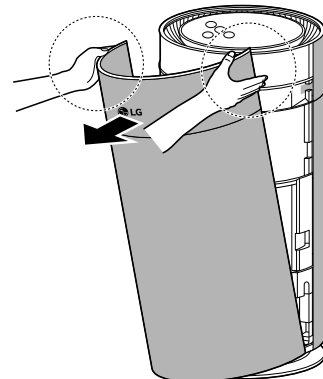
#### NOTE

- If it is difficult to remove dust from the front and rear covers, disassemble the covers and clean them with water. After cleaning, dry the covers thoroughly in the shade.

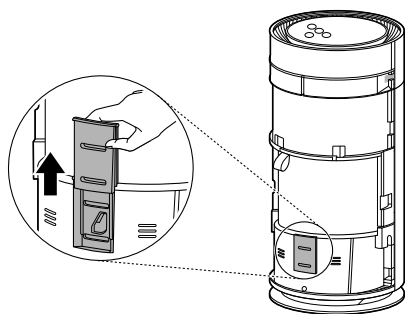
### Cleaning the Particle Sensor

The PM1.0 sensor detects fine dust and large dust contamination levels, so it is beneficial to clean the lens periodically, at least once every 2 months.

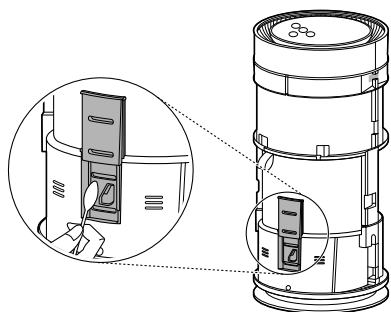
- 1 Hold the top of the front cover with the **LG logo** on it. Pull the cover forward to remove it.



- 2 Slide the sensor cover up.



- 3** Clean the lens with a cotton swab soaked with water and wipe it dry with a dry cotton swab.



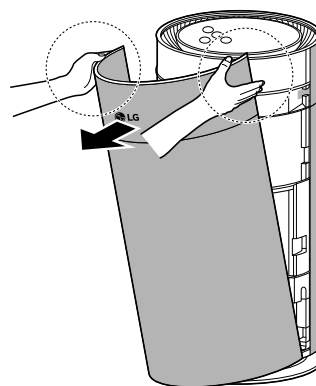
- 4** Close the sensor cover.

**NOTE**

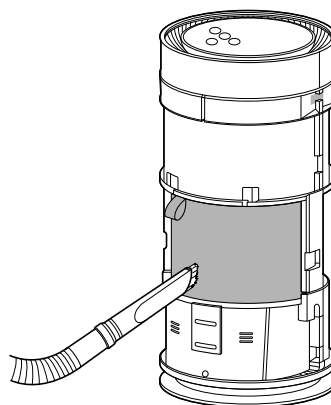
- Do not wipe the sensor with any substances other than water. Doing so may cause the appliance to malfunction.
- It is normal for the sensor cover to make a sound when opened or closed.

**Cleaning the Filters**

- 1** Remove the front and rear covers from the product.



- 2** Using a vacuum cleaner or soft brush, remove any dust from the ultra-fine filter surrounding the filter.



**CAUTION**

- Do not clean the filter with water. The service life of the filter may be reduced.
- Be careful not to damage the ultra-fine filter when using a vacuum cleaner.
- Take caution because there is a risk of tearing or loss when removing or assembling the ultra-fine filter.
- Take care to avoid getting liquid on the filter, as it may damage the filter.


## Replacing the Filters

- 1 Remove the cover of the product, and replace the filter.
  - To avoid spreading dust when replacing the filter, place a newspaper or paper towels on the floor before removing the filter.
- 2 When you finish replacing the filter, turn off the Filter Replacement Notification.

### NOTE

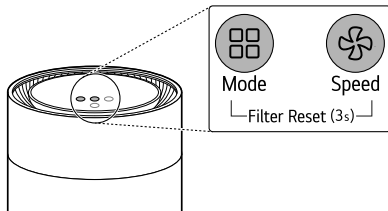
- The Filter Replacement Notification is turned on according to the maximum period of use, considering the operating time of the product. The replacement interval may vary depending on the hours of use and the environment.

## Turning off Filter Replacement Notification

 Filter Replacement Notification

Press and hold the **Mode** and **Speed** buttons on the control panel for 3 seconds or more.

- Filter Replacement Notification on the status panel is turned off and the time for Filter Replacement Notification is reset.

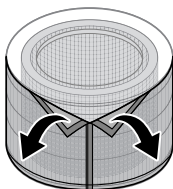


### NOTE

- Use when replacing the filter.

## Replacing the Ultra-Fine Filter

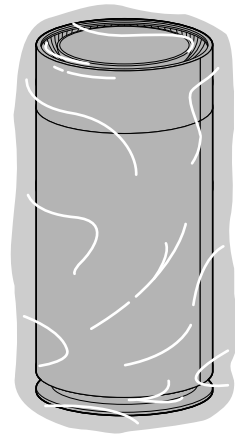
To replace the ultra-fine-filter, locate the Velcro and separate it slowly and carefully to remove the ultra-fine filter.



## Storage

If the product will not be used for a long period of time, store it in a dry and shaded place.

- 1 Operate the product for one hour or more on a fine day.
  - This removes moisture and prevents it from building up inside the product.
- 2 Turn off the power and unplug the product from the electrical outlet.
  - Wind the power cord around the bottom of the appliance.
- 3 Pack the appliance to prevent dust or foreign substances from entering the appliance. Store the packed appliance out of direct sunlight.



### CAUTION

- Do not store the appliance in a humid location or in an area exposed to direct sunlight. Otherwise the appliance may be deformed, malfunction or generate odor.

# TROUBLESHOOTING

## Before Calling for Service

Please check the following before calling for service. If the problem persists, contact your local service center.

### Operation

Problem	Possible Cause & Solution
The product does not power on.	<b>Is the power plug disconnected?</b> <ul style="list-style-type: none"> <li>Connect it to an outlet correctly.</li> </ul>
	<b>Did the electricity get cut off?</b> <ul style="list-style-type: none"> <li>Check the power to other products in the house.</li> </ul>
A noise occurs and the fan speed is low.	<b>Has dust accumulated in the ultra-fine filter?</b> <ul style="list-style-type: none"> <li>Clean the ultra-fine filter.</li> </ul>
	<b>Has dust accumulated in the filter?</b> <ul style="list-style-type: none"> <li>Replace the filter.</li> </ul>
Air is not properly purified.	<b>Is the indoor pollution severe?</b> <ul style="list-style-type: none"> <li>Ventilate indoors before using the product.</li> </ul>
	<b>Has dust accumulated in the ultra-fine filter?</b> <ul style="list-style-type: none"> <li>Clean the ultra-fine filter.</li> </ul>
	<b>Has dust accumulated in the filter?</b> <ul style="list-style-type: none"> <li>Replace the filter.</li> </ul>
	<b>Are you using it in a place that is too spacious or too open?</b> <ul style="list-style-type: none"> <li>Use a product that suits the size of the room.</li> <li>Avoid well-ventilated places such as doors, windows, etc.</li> </ul>
	<b>Is there an obstacle nearby?</b> <ul style="list-style-type: none"> <li>Remove any nearby obstacles before operating the product.</li> </ul>
	<b>Is the product installed in a corner?</b> <ul style="list-style-type: none"> <li>Move the product and reinstall it.</li> </ul>
The overall air quality stays red.	<b>Move the appliance to a different room and see if the color changes.</b> <ul style="list-style-type: none"> <li>Clean the PM1.0 sensor.</li> <li>Unplug the power cord from the outlet and reconnect it one minute later.</li> </ul>
	<b>A substance was sprayed near the product.</b> <ul style="list-style-type: none"> <li>Do not use sprays near the product.</li> </ul>
The buttons on the control panel do not work.	<b>Is the lock icon displayed on the status panel?</b> <ul style="list-style-type: none"> <li>Press and hold the <b>Lock</b> button for 3 seconds to disable the lock function.</li> </ul>

### Odor

Problem	Possible Cause & Solution
A strange odor comes out of the air outlet as well as the filter.	<b>Was the product purchased recently?</b> <ul style="list-style-type: none"> <li>This is the odor of activated charcoal, and is not harmful. This is similar to the odor you may experience in a brand new car. It will go away within a day following use.</li> </ul>

Problem	Possible Cause & Solution
<p><b>A strange odor comes out of the air outlet as well as the filter.</b></p>	<p><b>Is the product used in a place where there is lots of smoke or odors?</b></p> <ul style="list-style-type: none"> <li>• If the air purifier is operated after an air freshener, diffuser, or scented candle has been used, or interior work or wallpaper replacement have occurred, the filter may absorb and emit an odor. Ventilate the room first before using the product.</li> </ul>
	<p><b>Does the filter have a bad smell?</b></p> <ul style="list-style-type: none"> <li>• The filter replacement cycle may vary depending on the usage environment. If there is an odor, replace the filter with a new one.</li> </ul>
	<p><b>Is it in an environment in which food is prepared?</b></p> <ul style="list-style-type: none"> <li>• If you use the product for a long period of time where you cook or broil fish/meat, the filter lifespan may be significantly decreased.</li> <li>• If possible, open a window for ventilation while cooking, and use the product to remove any odors left following ventilation.</li> </ul>
	<p><b>Is it a humid environment?</b></p> <ul style="list-style-type: none"> <li>• The filter may emit an odor if used in a humid environment. Dry the filter in sunlight before use.</li> </ul>

**LG ThinQ**

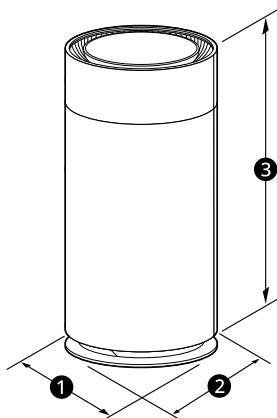
Problem	Possible Cause & Solution
<p><b>The product and the smartphone cannot be connected through Wi-Fi.</b></p>	<p><b>Is the Wi-Fi password used to connect to the smartphone correct?</b></p> <ul style="list-style-type: none"> <li>• Press the Settings button on your smartphone, and then find your Wi-Fi in the network list. Press and hold the button to select [Clear Network], and then proceed with product registration again from the beginning.</li> </ul>
	<p><b>Is your smartphone using mobile data rather than Wi-Fi?</b></p> <ul style="list-style-type: none"> <li>• In the smartphone's settings, turn off Mobile Data, turn on Wi-Fi, and then register the product.</li> </ul>
	<p><b>Does the name (ID) of the wireless router contain special characters?</b></p> <ul style="list-style-type: none"> <li>• Set the name (ID) of the wireless router as a combination of numbers and English letters. Wi-Fi connection may be difficult if you enter special characters.</li> </ul>
	<p><b>Is the frequency of the wireless router not 2.4 GHz?</b></p> <ul style="list-style-type: none"> <li>• When connecting the product via Wi-Fi, only a 2.4 GHz network can be used. Set the wireless router to 2.4 GHz and then connect. To check the frequency of your wireless router, contact your Internet carrier or router manufacturer.</li> </ul>
	<p><b>Are the product and the wireless router too far apart?</b></p> <ul style="list-style-type: none"> <li>• If the distance between the product and the wireless router is too great, the wireless signal may be weak, and the connection may not be smooth. Move the wireless router closer to the product.</li> </ul>

# APPENDIX

## Information

### APPLIANCE SPECIFICATIONS

- Appearance and specifications may vary without notice to improve the quality of the appliance.



Name	AS351GW30
Power	DC 24 V
Exterior Dimensions (1 x 2 x 3)	9.4" x 9.4" x 19.7" (240 mm x 240 mm x 500 mm)

#### AC/DC Adapter

Manufacturer	FOSHAN SHUNDE GUANYUDA POWER SUPPLY CO.,LTD.
Model	GM51-240200-1A
Rated Input	AC 100 V - 240 V~, 50/60 Hz
Rated Output	DC 24 V, 2.0 A, 48 W

# LIMITED WARRANTY

## USA

TERMS AND CONDITIONS

### ARBITRATION NOTICE:

THIS LIMITED WARRANTY CONTAINS AN ARBITRATION PROVISION THAT REQUIRES YOU AND LG ELECTRONICS ("LG") TO RESOLVE DISPUTES BY BINDING ARBITRATION INSTEAD OF IN COURT, UNLESS YOU CHOOSE TO OPT OUT. IN ARBITRATION, CLASS ACTIONS AND JURY TRIALS ARE NOT PERMITTED. PLEASE SEE THE SECTION TITLED "PROCEDURE FOR RESOLVING DISPUTES" BELOW.

### WHAT THIS WARRANTY COVERS:

Should your LG Air Purifier ("Product") fail due to a defect in materials or workmanship under normal and proper use, during the warranty period set forth below, LG will, at its option, repair or replace the Product. This limited warranty is valid only to the original retail purchaser of the Product ("You") and applies only when purchased lawfully and used within the United States including U.S. Territories.

---

### NOTE

- Replacement Products and parts are warranted for the remaining portion of the original warranty period or ninety (90) days, whichever is greater.
  - Replacement Products and parts may be new, reconditioned, refurbished, or otherwise factory remanufactured.
  - Replaced Product or part(s) will be the property of LG.
  - Proof of original retail purchase specifying the Product model and date of purchase is required to obtain warranty service under this limited warranty.
- 

## INFORMATION

### WARRANTY PERIOD:

**1 year** from the Date of Purchase: **Any internal/ functional Parts and Labor**

### HOW SERVICE IS HANDLED: In-Home Service

In-home service will be provided during the warranty period subject to availability within the United States. In-home service may not be available in all areas. To receive in-home service, the product must be unobstructed and accessible to service personnel. If during in-home service repair cannot be completed, it may be necessary to remove, repair and return the product. If in-home service is unavailable, LG may elect, at our option, to provide for transportation of our choice to and from an LG authorized service center.

**EXCEPT TO THE EXTENT PROHIBITED BY APPLICABLE LAW, ANY IMPLIED WARRANTY OF MERCHANTABILITY OR FITNESS FOR A PARTICULAR PURPOSE ON THE PRODUCT IS LIMITED IN DURATION TO THE DURATION OF THE ABOVE LIMITED WARRANTY. UNDER NO CIRCUMSTANCES SHALL LG OR ITS U.S. DISTRIBUTORS/ DEALERS BE LIABLE FOR ANY INDIRECT, INCIDENTAL, CONSEQUENTIAL, SPECIAL, OR PUNITIVE DAMAGES, INCLUDING, WITHOUT LIMITATION, LOST GOODWILL,**

**LOST REVENUES OR PROFITS, WORK STOPPAGE, IMPAIRMENT OF OTHER GOODS, COST OF REMOVAL AND REINSTALLATION OF THE PRODUCT, LOSS OF USE, OR ANY OTHER DAMAGES WHETHER BASED IN CONTRACT, TORT, OR OTHERWISE. LG'S TOTAL LIABILITY, IF ANY, SHALL NOT EXCEED THE PURCHASE PRICE PAID BY YOU FOR THE PRODUCT.**

SOME STATES DO NOT ALLOW THE EXCLUSION OR LIMITATION OF INCIDENTAL OR CONSEQUENTIAL DAMAGES OR LIMITATIONS ON HOW LONG AN IMPLIED WARRANTY LASTS, SO THE ABOVE EXCLUSIONS OR LIMITATIONS MAY NOT APPLY TO YOU. THIS LIMITED WARRANTY GIVES YOU SPECIFIC LEGAL RIGHTS AND YOU MAY ALSO HAVE OTHER RIGHTS THAT VARY FROM STATE TO STATE.

**THIS LIMITED WARRANTY DOES NOT COVER:**

- Service trips to deliver, pick up, or install, educate how to operate, correct wiring, or correct unauthorized repairs.
- Damage or failure of the Product to perform during power failures and interrupted or inadequate electrical service.
- Damage or failure of the Product caused by leaky or broken water pipes, frozen water pipes, restricted drain lines, inadequate or interrupted water supply or inadequate supply of air.
- Damage or failure of the Product resulting from operating the Product in a corrosive atmosphere or contrary to the Product owner's manual.
- Damage or failure of the Product caused by accidents, pests and vermin, lightning, wind, fire, floods, acts of nature, or any other causes beyond the control of LG.
- Damage or failure of the Product caused by unauthorized modification or alteration, or if the Product is used for other than the intended purpose, or any water leakage where the Product was not properly installed.
- Damage or failure of the Product caused by incorrect electrical current, voltage, or plumbing codes.
- Damage or failure of the Product caused by transportation, storage, and/or handling, including scratches, dents, chips, and/or other damage to the finish of the Product, unless such damage is reported within one (1) week of delivery.
- Damage or failure of the Product resulting from misuse, abuse, improper installation, repair, or maintenance. Improper repair includes the use of parts not authorized by LG. Improper installation or maintenance includes installation or maintenance contrary to the Product owner's manual.
- Damage or failure of the Product caused by the use of parts, components, accessories, consumable cleaning products, or any other products or services that were not authorized by LG.
- Damage or missing items to any display or open box Product.
- Refurbished Product or any Product sold "As Is", "Where Is", "With all Faults", or similar disclaimer.
- Products with original serial numbers that have been removed, altered, or cannot be readily determined.
- Increases in utility costs and additional utility expenses.
- Any noises associated with normal operation.
- Products used for other than normal and proper household use (e.g., commercial or industrial use) or contrary to the Product owner's manual.
- Costs associated with removal and reinstallation of the Product for repairs, or the removal and reinstallation of the Product if it is installed in an inaccessible location or not installed in accordance with the Product Owner's manual.
- Accessories, removable components, or consumable parts (e.g. Shelves, door bins, drawers, water/air filters, racks, light bulbs, batteries, etc., as applicable), except for internal/functional parts covered under this limited warranty.
- Replacing house fuses or resetting of circuit breakers, correction of house wiring or plumbing, or correction of product installation.

**The cost of repair or replacement under these excluded circumstances shall be borne by You.**

TO OBTAIN WARRANTY SERVICE AND ADDITIONAL INFORMATION

Call 1-800-243-0000 and select the appropriate option from the menu. Or visit our website at <http://www.lg.com>

Or by mail: LG Customer Information Center (ATTN: CIC) 201 James Record Road, Huntsville, AL 35824

## PROCEDURE FOR RESOLVING DISPUTES:

ALL DISPUTES BETWEEN YOU AND LG ARISING OUT OF OR RELATING IN ANY WAY TO THIS LIMITED WARRANTY OR THE PRODUCT SHALL BE RESOLVED EXCLUSIVELY THROUGH BINDING ARBITRATION, AND NOT IN A COURT OF GENERAL JURISDICTION. BINDING ARBITRATION MEANS THAT YOU AND LG ARE EACH WAIVING THE RIGHT TO A JURY TRIAL AND TO BRING OR PARTICIPATE IN A CLASS ACTION.

**Definitions.** For the purposes of this section, references to “LG” mean LG Electronics U.S.A., Inc., its parents, subsidiaries and affiliates, and each of their officers, directors, employees, agents, beneficiaries, predecessors in interest, successors, assigns and suppliers; references to “dispute” or “claim” shall include any dispute, claim or controversy of any kind whatsoever (whether based in contract, tort, statute, regulation, ordinance, fraud, misrepresentation or any other legal or equitable theory) arising out of or relating in any way to the sale, condition or performance of the product or this Limited Warranty.

**Notice of Dispute.** In the event you intend to commence an arbitration proceeding, you must first notify LG in writing at least 30 days in advance of initiating the arbitration by sending a letter to LG at LG Electronics, USA, Inc. Attn: Legal Department-Arbitration 111 Sylvan Avenue, Englewood Cliffs, NJ 07632. You and LG agree to engage in good faith discussions in an attempt to amicably resolve your claim. The notice must provide your name, address, and telephone number; identify the product that is the subject of the claim; and describe the nature of the claim and the relief being sought. If you and LG are unable to resolve the dispute within 30 days, either party may proceed to file a claim for arbitration.

**Agreement to Binding Arbitration and Class Action Waiver.** Upon failure to resolve the dispute during the 30 day period after sending written notice to LG, you and LG agree to resolve any claims between us only by binding arbitration on an individual basis, unless you opt out as provided below. Any dispute between you and LG shall not be combined or consolidated with a dispute involving any other person’s or entity’s product or claim. More specifically, without limitation of the foregoing, any dispute between you and LG shall not under any circumstances proceed as part of a class or representative action. Instead of arbitration, either party may bring an individual action in small claims court, but that small claims court action may not be brought on a class or representative basis.

**Arbitration Rules and Procedures.** To begin arbitration of a claim, either you or LG must make a written demand for arbitration. The arbitration will be administered by the American Arbitration Association (“AAA”) and will be conducted before a single arbitrator under the AAA’s Consumer Arbitration Rules that are in effect at the time the arbitration is initiated (referred to as the “AAA Rules”) and under the procedures set forth in this section. The AAA Rules are available online at [www.adr.org/consumer](http://www.adr.org/consumer). Send a copy of your written demand for arbitration, as well as a copy of this provision, to the AAA in the manner described in the AAA Rules. You must also send a copy of your written demand to LG at LG Electronics, USA, Inc. Attn: Legal Department-Arbitration 111 Sylvan Avenue, Englewood Cliffs, NJ 07632. If there is a conflict between the AAA Rules and the rules set forth in this section, the rules set forth in this section will govern. This arbitration provision is governed by the Federal Arbitration Act. Judgment may be entered on the arbitrator’s award in any court of competent jurisdiction. All issues are for the arbitrator to decide, except that issues relating to the scope and enforceability of the arbitration provision and to the arbitrability of the dispute are for the court to decide. The arbitrator is bound by the terms of this provision.

**Governing Law.** The law of the state of your residence shall govern this Limited Warranty and any disputes between us except to the extent that such law is preempted by or inconsistent with applicable federal law.

**Fees/Costs.** You do not need to pay any fee to begin an arbitration. Upon receipt of your written demand for arbitration, LG will promptly pay all arbitration filing fees to the AAA unless you seek more than \$25,000 in damages, in which case the payment of these fees will be governed by the AAA Rules. Except as otherwise provided for herein, LG will pay all AAA filing, administration and arbitrator fees for any arbitration initiated in accordance with the AAA Rules and this arbitration provision. If you prevail in the arbitration, LG will pay your attorneys’ fees and expenses as long as they are reasonable, by considering factors including, but not limited to, the purchase amount and claim amount. Notwithstanding the foregoing, if applicable law allows for an award of reasonable attorneys’ fees and expenses, an arbitrator can award them to the same extent that a court would. If the arbitrator finds either the substance of your claim or the relief sought in the demand is frivolous or brought for an improper purpose (as measured by the standards set forth in Federal Rule of Civil Procedure 11(b)), then the payment of all arbitration fees will be governed by the AAA Rules. In such a situation, you agree to reimburse LG for all monies previously disbursed by it that are otherwise your obligation to pay under the AAA Rules. Except as otherwise

provided for, LG waives any rights it may have to seek attorneys' fees and expenses from you if LG prevails in the arbitration.

**Hearings and Location.** If your claim is for \$25,000 or less, you may choose to have the arbitration conducted solely on the basis of (1) documents submitted to the arbitrator, (2) through a telephonic hearing, or (3) by an in-person hearing as established by the AAA Rules. If your claim exceeds \$25,000, the right to a hearing will be determined by the AAA Rules. Any in-person arbitration hearings will be held at a location within the federal judicial district in which you reside unless we both agree to another location or we agree to a telephonic arbitration.

**Opt Out.** You may opt out of this dispute resolution procedure. If you opt out, neither you nor LG can require the other to participate in an arbitration proceeding. To opt out, you must send notice to LG no later than 30 calendar days from the date of the first consumer purchaser's purchase of the product by either: (i) sending an e-mail to [optout@lge.com](mailto:optout@lge.com), with the subject line: "Arbitration Opt Out" or (ii) calling [1-800-980-2973](tel:1-800-980-2973). You must include in the opt out e-mail or provide by telephone: (a) your name and address; (b) the date on which the product was purchased; (c) the product model name or model number; and (d) the serial number (the serial number can be found (i) on the product; or (ii) online by accessing <https://www.lg.com/us/support> and clicking on "How do I find my model number?").

You may only opt out of the dispute resolution procedure in the manner described above (that is, by e-mail or telephone); no other form of notice will be effective to opt out of this dispute resolution procedure.

Opting out of this dispute resolution procedure will not affect the coverage of the Limited Warranty in any way, and you will continue to enjoy the full benefits of the Limited Warranty. If you keep this product and do not opt out, then you accept all terms and conditions of the arbitration provision described above.



Escanee el código QR para ver el manual.



# MANUAL DEL PROPIETARIO

# PURIFICADOR DE

# AIRE

---

Lea el manual del propietario detenidamente previo a operar el electrodoméstico y manténgalo al alcance para futuras referencias.

**ESPAÑOL**

AS351GW30

[www.lg.com](http://www.lg.com)

Copyright © 2017-2025 LG Electronics. Todos los derechos reservados

# ÍNDICE

## **3 INSTRUCCIONES IMPORTANTES DE SEGURIDAD**

---

- 3 LEA Y GUARDE ESTAS INSTRUCCIONES
- 3 INSTRUCCIONES DE ADVERTENCIA
- 6 INSTRUCCIONES DE PRECAUCIÓN

## **8 FUNCIONAMIENTO**

---

- 8 Descripción general del producto
- 10 Preparación antes del uso
- 12 Características del producto
- 14 Funcionamiento del purificador de aire
- 15 Uso de las funciones extra
- 16 Calidad general del aire

## **17 FUNCIONES INTELIGENTES**

---

- 17 Aplicación LG ThinQ
- 19 Smart Diagnosis

## **20 MANTENIMIENTO**

---

- 20 Mantenimiento del producto

## **23 SOLUCIÓN DE PROBLEMAS**

---

- 23 Antes de llamar al servicio técnico

## **25 APÉNDICE**

---

- 25 Información

## **26 GARANTÍA LIMITADA**

---

- 26 EE. UU.

# INSTRUCCIONES IMPORTANTES DE SEGURIDAD

## LEA Y GUARDE ESTAS INSTRUCCIONES

Las siguientes directrices de seguridad tienen por objeto evitar riesgos imprevistos o daños derivados de un funcionamiento inseguro o incorrecto del aparato.

Los lineamientos están separados en "ADVERTENCIA" Y "PRECAUCIÓN", como se describe a continuación.

### Mensajes de seguridad

**Su seguridad y la de los demás son muy importantes.**

Tanto en este manual como en el equipo, hemos proporcionado muchos mensajes de seguridad importantes. Siempre debe leer y respetar todos los mensajes de seguridad.



Este es el símbolo de alerta de seguridad.

Este símbolo le advierte de posibles peligros que pueden matarlos o lastimarlos a usted y a otros. Todos los mensajes de seguridad seguirán el símbolo de alerta de seguridad y la palabra ADVERTENCIA o PRECAUCIÓN.

Estos términos indican lo siguiente:



#### **ADVERTENCIA**

El incumplimiento de las instrucciones podría causarle la muerte o lesiones graves.



#### **PRECAUCIÓN**

El incumplimiento de las instrucciones podría causarle lesiones o generar daños en el producto.

Todos los mensajes de seguridad le indicarán cuáles son los posibles peligros, cómo reducir la posibilidad de lesiones y qué podría suceder si no siguen las instrucciones.

## INSTRUCCIONES DE ADVERTENCIA

### **ADVERTENCIA**

- Para reducir el riesgo de explosión, incendio, muerte, descargas eléctricas, lesiones o quemaduras a las personas al utilizar este producto, siga las precauciones básicas, incluidas las siguientes:

### Seguridad técnica

- Este aparato no está diseñado para ser utilizado por personas (incluidos niños) con capacidades físicas, sensoriales o mentales reducidas o con falta de experiencia y conocimientos, a menos que hayan recibido supervisión o instrucciones sobre el uso del aparato por parte de una persona responsable de su seguridad. Los niños deben ser supervisados para evitar que jueguen con el aparato.
- El ventilador no es un juguete. No juegue con él ni lo coloque al alcance de los niños.
- Si el cable de alimentación está dañado, debe ser reemplazado por el fabricante, su agente de servicio técnico o una persona con calificación similar para evitar riesgos.
- Sólo un técnico autorizado debe desmontar, reparar o modificar el aparato.
- No toque el enchufe con las manos mojadas.
- No instale ni utilice piezas rotas.
- No siga utilizando el producto si está visiblemente dañado.
- El aparato solo debe usarse con la fuente de alimentación suministrada con el aparato.
  - Si no se usa la fuente de alimentación suministrada, se puede reducir el desempeño o fallar el producto, y pueden surgir riesgos para la seguridad.

## 4 INSTRUCCIONES IMPORTANTES DE SEGURIDAD

---

- El aparato solo debe suministrarse a una tensión extra baja de seguridad correspondiente a la marca del aparato.
- Tenga cuidado de no someter el enchufe de alimentación y el adaptador a descargas eléctricas.
- No utilice el producto si se ha caído al suelo.
- Para reducir el riesgo de incendio, choques eléctricos o lesiones personales, no utilice piezas de reemplazo que no hayan sido recomendadas por el fabricante (p. ej., piezas fabricadas en casa con una impresora 3D).
- Para reducir el riesgo de incendios o choques eléctricos, no utilice este ventilador con ningún dispositivo de control de velocidad de estado sólido.
- RIESGO DE DESCARGA ELÉCTRICA - Estas instrucciones de servicio técnico son solamente para el uso de personal cualificado. Para reducir el riesgo de descargas eléctricas, no realice ningún servicio técnico que no sea el contenido en las instrucciones de funcionamiento, a menos que esté cualificado para ello.
- Este manual está también disponible en formato PDF en <https://www.lg.com> y puede obtener una copia impresa del manual a partir del formato PDF.

### Instalación

- No instale el aparato sobre una superficie desnivelada o inclinada.
- No instale el aparato en una zona expuesta a la luz solar directa o cerca de equipos que generen calor.
- No instale el producto en un lugar donde pueda haber fugas de gas combustible o donde haya aceite industrial o partículas metálicas.
- No permita que el aparato presione el cable de alimentación o el enchufe.
- No doble excesivamente el cable de alimentación ni coloque un objeto pesado sobre él.
- No prolongue la longitud del cable de alimentación ni lo modifique.
- No utilice varios aparatos en una toma de extensión de varias clavijas.
- Realice la conexión de forma segura para que los terminales atornillados no se aflojen al tirar del cable.
- Asegúrese de que el cable de alimentación no pueda salirse o dañarse durante el funcionamiento.
- Cuando desenchufe el cable de alimentación, tire siempre de él por el enchufe.
- Desenchufe el aparato durante tormentas eléctricas o cuando no vaya a utilizarlo durante mucho tiempo.
- Este aparato tiene un enchufe polarizado (una clavija es más ancha que la otra).
  - Para reducir el riesgo de choques eléctricos, este enchufe está diseñado para encajar en una toma polarizada de una sola manera.
  - Si el enchufe no encaja completamente en el tomacorriente, inviértalo. Si sigue sin encajar, contacte un electricista cualificado.
  - No intente anular este dispositivo de seguridad.
- No pase el cable por debajo de la moqueta. No cubra el cable con alfombras, correderas o cubiertas similares.
- No pase el cable por debajo de muebles o aparatos. Coloque el cable lejos de zonas de tránsito y donde no se pueda tropezar con él.

### Funcionamiento

- Si el aparato se sumerge en agua, deje de utilizarlo y contacte a un Centro de Información al Cliente de LG Electronics.
- No haga funcionar ningún ventilador con un cable o enchufe dañados. Deseche el ventilador o regréselo a un servicio técnico autorizado para su examen o reparación.
- Si hay una fuga de gas (isobutano, propano, GNL, etc.), no toque el aparato ni el enchufe y ventile la zona inmediatamente.

- Si detecta algún ruido, olor o humo anormal, desenchufe el aparato inmediatamente y contacte a un Centro de Información al Cliente de LG Electronics.
- No utilice ni almacene fuego, combustibles (éter, benceno, alcohol, drogas, propano, butano, aerosoles combustibles, insecticida, ambientador, cosméticos, etc.) o materiales inflamables (velas, lámparas, etc.) cerca del producto.
- No permita que animales o mascotas muerdan el cable de alimentación.
- No mueva el aparato cuando esté en funcionamiento.
- No golpee el aparato.
- No inserte las manos ni objetos metálicos en la entrada o salida de aire.
- No introduzca objetos inflamables en el aparato.
- No mueva ni utilice el aparato mientras está con la cubierta abierta.
- No permita que los niños se suban al aparato o jueguen con él.
- No coloque nada encima del aparato.
- Instrucciones servicio técnico al usuario.
  - Sólo un técnico autorizado de un centro de servicio técnico de LG Electronics debe desmontar, reparar o modificar el producto.

## Mantenimiento

- Deseche los materiales de embalaje (vinilo, espuma de poliestireno, etc.) para mantenerlos fuera del alcance de los niños.
- Tenga cuidado de no lesionarse ni pellizcarse al desmontar y volver a montar piezas del aparato.
- Apague y desenchufe el aparato antes de limpiarlo o cambiar el filtro.
- No limpie el aparato con cepillos, paños o esponjas abrasivos o metálicos.
- Para una limpieza interior, contacte al Centro de Servicio Autorizado o a un distribuidor.
- No use detergentes agresivos que puede causar corrosión o daños a la unidad.
- Los detergentes agresivos también podrían causar fallas del producto, incendios o descarga eléctrica.

## INSTRUCCIONES DE PRECAUCIÓN

### PRECAUCIÓN

- Para reducir el riesgo de lesiones personales leves, mal funcionamiento o daños al producto o la propiedad al usar este artefacto, siga las precauciones básicas de seguridad, incluidas las siguientes:
- 

### Instalación

- No incline el aparato para tirar de él o empujarlo durante el transporte.
- No instale el aparato en un vehículo, vehículo RV o embarcación.
- No coloque el aparato cerca de un TV o equipo estéreo.
- No coloque el aparato bajo una luz intensa.
- El aparato debe instalarse de acuerdo con la normativa nacional sobre cableado.
- Cuando traslade o guarde el aparato, enrolle el cable de alimentación alrededor de la base del aparato para evitar lesiones personales, daños en el cable o daños en el suelo.
- No coloque el aparato cerca de cortinas.
- Inserte el adaptador completamente en el terminal de conexión del adaptador y evite moverlo mientras esté conectado.

### Funcionamiento

- No utilice el producto para eliminar gases tóxicos como el monóxido de carbono.
- No utilice el producto para propósitos de ventilación.
- No utilice el aparato durante mucho tiempo en una región con voltaje inestable.
- No coloque obstáculos alrededor de la entrada o salida de aire.
- Para un uso seguro del aparato, los niños u otras personas con capacidades mentales reducidas deben ser vigilados de cerca por una persona responsable de su seguridad.
- No utilice el producto para fines especiales como la conservación de plantas, instrumentos de precisión, obras de arte, etc.
- No utilice el aparato con las manos mojadas.
- No deje que la humedad de un humidificador toque directamente el aparato.
- No utilice el aparato si no está en una posición vertical.
- No utilice el aparato cerca de objetos vulnerables al calor.
- No utilice detergentes, cosméticos, productos químicos, ambientadores ni desinfectantes en el aparato.
- No toque ninguna pieza interna mientras el aparato esté en funcionamiento o inmediatamente luego del funcionamiento.
- Utilice el filtro sólo para los fines previstos.
- El filtro de desodorización y el filtro de polvo están montados juntos. No intente separarlos.
- No inserte ningún objeto en la salida de aire.

### Mantenimiento

- No utilice detergentes fuertes ni disolventes para limpiar el aparato. Utilice un paño suave para limpiarlo.
- No limpie el aparato con detergentes alcalinos.
- No limpie la superficie del aparato con ácido sulfúrico, ácido clorhídrico o disolventes orgánicos (diluyente, queroseno, etc.) no pegue pegatinas en el aparato.

- No permita que entre agua en el aparato.
- No lave el filtro con agua.
- Tenga cuidado de no dañar el filtro ultrafino cuando lo limpie con una aspiradora.

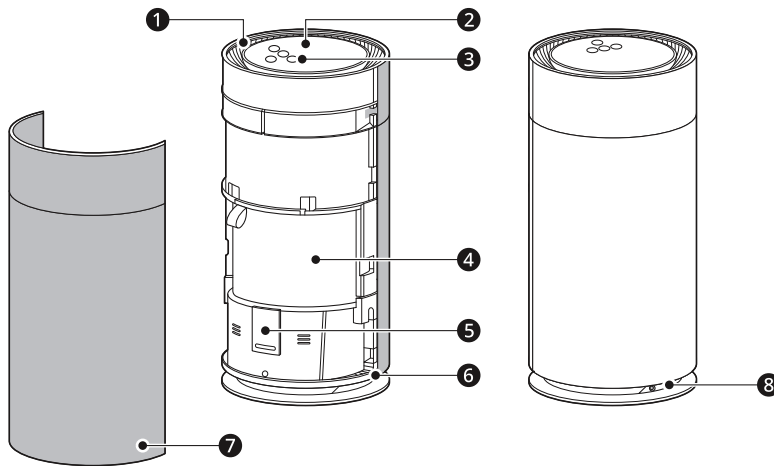
**GUARDE ESTAS INSTRUCCIONES**

# FUNCIONAMIENTO

- El exterior o los componentes del producto pueden variar según el modelo.

## Descripción general del producto

### Purificador de aire



#### 1 Salida de aire

- Emite aire purificado por el filtro.

#### 2 Panel de estado

- Muestra los ajustes del aparato y la calidad del aire.

#### 3 Panel de control

- Establece las funciones del aparato.

#### 4 Filtro

- Elimina las partículas finas, materiales causantes de smog y otros olores.

#### 5 Sensor PM1.0

- Detecta la concentración de partículas (PM).

#### 6 Manija

- Utilizar para transportar y mover el producto.

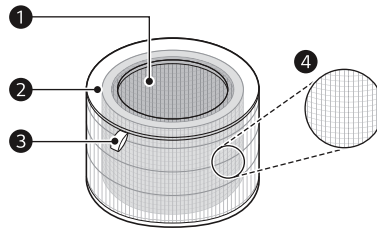
#### 7 Entrada de aire (cubierta)

- El aire se aspira en el purificador de aire a través de la entrada de aire.
- Las cubiertas de la parte frontal y trasera pueden desmontarse por separado.

#### 8 Terminal de conexión del adaptador

- Se puede remover el adaptador.

## Filtro



### 1 Filtro de desodorización

- Este filtro elimina las sustancias causantes del smog (SO<sub>2</sub>, NO<sub>2</sub>) y los olores domésticos (amoníaco, ácido acético, acetaldehído)

### 2 Filtro de polvo

- Minimiza las PM1.0 y el humo de cigarro en el aire.

### 3 Manija del filtro

- Se utiliza para extraer o instalar el filtro.
- El lado con la manija debe mirar hacia arriba.

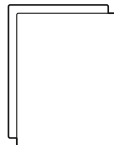
### 4 Filtro ultrafino

- El filtro ultrafino está fijado al exterior del filtro y elimina principalmente el polvo doméstico con partículas grandes del aire.

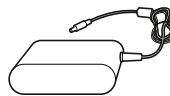
## ⚠ PRECAUCIÓN

- No separe los filtros a la fuerza, ya que los filtros están unidos.
- No tire los filtros ni los utilice para otros propósitos.

## Componentes



1



2

1 Manual del propietario

2 Adaptador

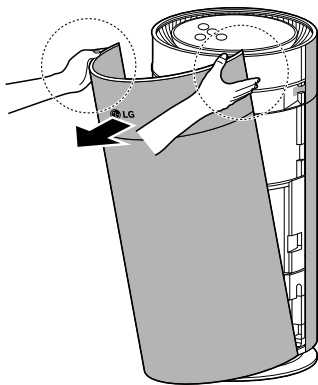
## Preparación antes del uso

### Remover el vinilo protector del filtro

Desempaque el aparato y retire toda la cinta de embalaje y el embalaje del filtro antes de utilizar el aparato.

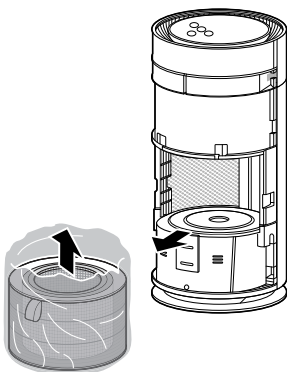
**1** Saque el producto de la caja y retire la película y la cinta de empaque adheridas al producto.

**2** Sostenga la parte superior de la cubierta frontal con el logotipo de LG. Tire de la cubierta hacia adelante para retirarla.



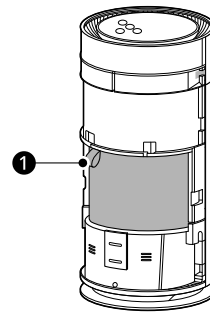
**3** Remueva el filtro y desempaquéelo.

- Remueva el filtro del empaque con el vinilo protector.

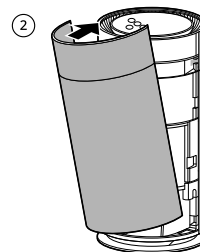
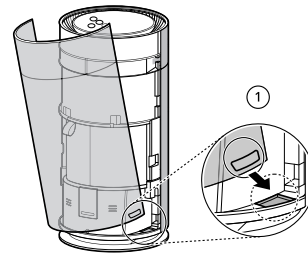


**4** Instale el filtro en el producto.

- Asegúrese de que el lado con la manija del filtro (1) está hacia arriba.



**5** Para volver a instalar la cubierta, ajuste las lengüetas de la parte inferior de la cubierta en la ranura de la parte inferior del producto y luego cierre la cubierta.



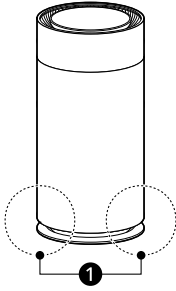
### ⚠ PRECAUCIÓN

- Asegúrese de retirar el vinilo protector del filtro previo a utilizar el producto.
- Instale el filtro con la manija en la parte superior. De lo contrario, el producto podría funcionar incorrectamente o presentar fallas.

### Requisitos de transporte

- Antes de mover o guardar el producto, enrolle el cable alrededor de la parte inferior del producto para evitar que el enchufe toque el suelo.
- De lo contrario, podría dañar el enchufe de alimentación o rayar el piso.

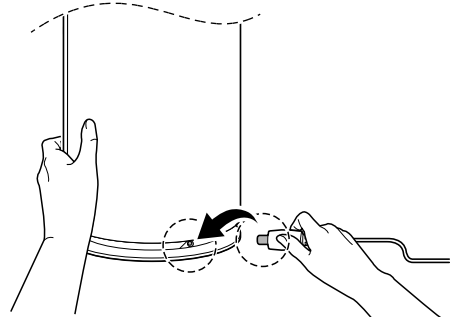
- Transporte el producto de forma segura utilizando la manija(1) situada en la parte interior del producto con ambas manos.



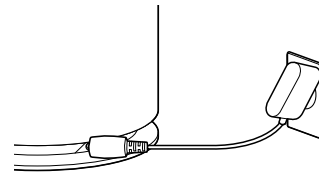
- No instale el producto cerca de la luz solar directa o de una iluminación brillante.
  - De lo contrario, el producto podría decolorarse.

### Conexión de la alimentación

- 1 Conecte el adaptador al terminal de conexión del adaptador en la parte posterior del producto.



- 2 Conecte el enchufe de alimentación del adaptador en el tomacorriente.



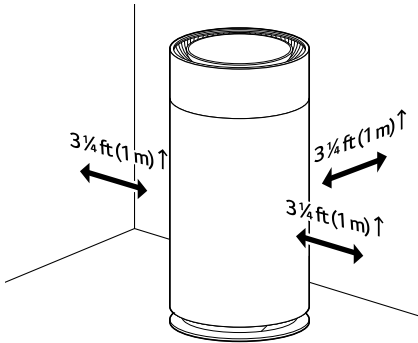
### ⚠ PRECAUCIÓN

- No transporte el producto sujetándolo por la cubierta exterior.
  - De lo contrario, podría provocar que la cubierta se abra y se caiga el producto. Si el aparato se cae, podría averiarse o provocar lesiones.

### Requisitos de instalación

Instale el producto al menos a 3 1/4 ft (1m) de las paredes.

- Si no hay espacio suficiente para la aspiración de aire, el desempeño de la purificación de aire puede verse afectado.



### NOTA

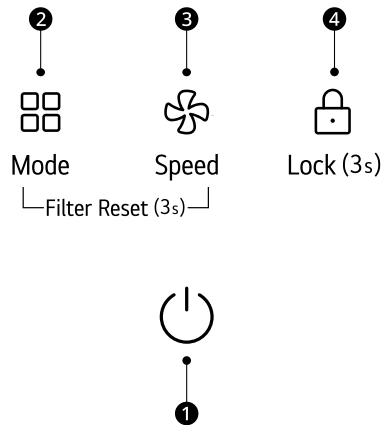
- Sostenga el producto y conecte o desconecte el adaptador horizontalmente.
- Conecte el adaptador al extremo del terminal de conexión del adaptador y no lo mueva después de conectarlo. (Si lo hace, podría provocar daños).
- Tenga cuidado de no aplicar impacto al adaptador. Si lo hace, podría provocar daños.

- El desempeño del producto puede variar en función del entorno de funcionamiento (teniendo en cuenta factores como la temperatura y la humedad).
  - Con niveles de humedad 40 % - 70 %, se pueden alcanzar los niveles de desempeño garantizados del producto.

## Características del producto

### Control del Purificador de aire

#### Panel de control



#### 1 Botón **Inicio/Apagado**

Enciende o apaga el producto.

- Prepare el producto para su conexión al Wi-Fi a través de la aplicación **LG ThinQ**, manteniendo pulsado el botón **Inicio/Apagado** por 3 segundos.

#### 2 Botón **Mode**

Establezca el modo de funcionamiento.

#### 3 Botón **Speed**

Ajusta la velocidad del ventilador.

#### 4 Botón **Lock**

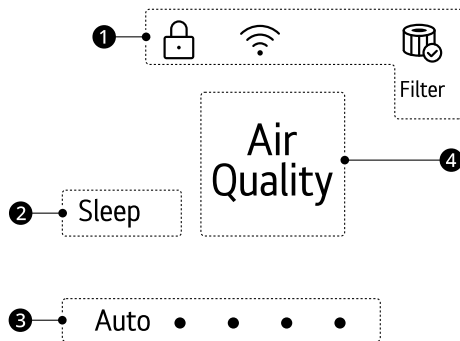
Para bloquear o desbloquear los botones del panel de control, mantenga presionado el botón **Lock** por 3 segundos o más.

### NOTA

- Use funciones adicionales presionando los botones del panel de control por 3 segundos.

Pulsación larga (más de 3 segundos)	Funciones extra
	Restablecimiento de notificaciones del reemplazo de filtro

## Panel de estado



### 1 Pantalla de add-ons

Ícono	Descripción
	Se enciende cuando el panel de control se bloquea.
	Se enciende cuando la función Wi-Fi se activa.
	Se enciende cuando ha llegado el momento de sustituir el filtro.

### 2 Pantalla de modo operativo

Indica el modo operativo actual.

### 3 Pantalla de velocidad del ventilador

Muestra la velocidad del ventilador del purificador de aire.

Velocidad	Pantalla	Descripción
Auto	Auto ●●●●	El número de luces indicadoras cambia según la calidad general del aire.
Bajo	●	1 luz ENCENDIDAS
Medio	●●	2 luces ENCENDIDAS
Alto	●●●	3 luces ENCENDIDAS
Turbo	●●●●	4 luces ENCENDIDAS

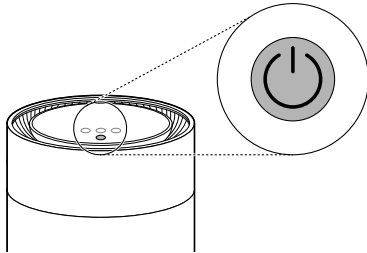
### 4 Calidad general del aire (color)

La calidad general del aire se indica mediante el color. Consulte **Calidad general del aire** para obtener información detallada sobre los colores.

## Funcionamiento del purificador de aire

### Inicio/Apagado

Presione el botón **Encendido/parada (Start/Stop)** para encender o apagar el purificador de aire.

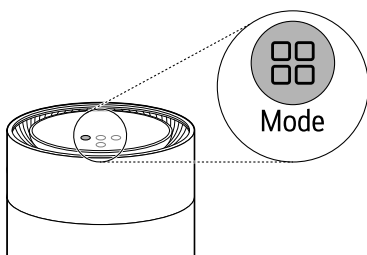


#### NOTA

- Cuando se enciende por primera vez, el aparato funciona en modo **Purificación**.
- El modo usado más recientemente se guarda si el suministro de energía se corta como resultado de una falla de alimentación.
- Después de encender el purificador de aire, la luz de calidad del aire se vuelve blanca mientras el sensor se estabiliza. Después de unos 30 segundos, la pantalla de calidad general del aire cambia de color según la concentración de partículas.

### Modo de funcionamiento

Cada vez que presione el botón **Mode**, el modo cambia en el siguiente orden: **Purificación** → **Sleep**.

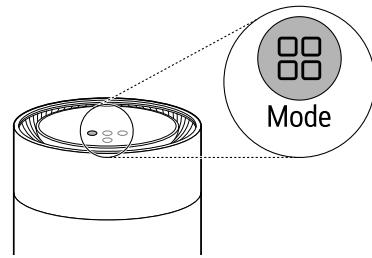


### Uso del modo Purificación

Este modo sirve para la purificación normal del aire interior.

Pulse el botón **Mode** para elegir el modo **Purificación**.

- Cada vez que presione el botón, el modo de funcionamiento cambia en el siguiente orden: **Purificación** → **Sleep**.



#### NOTA

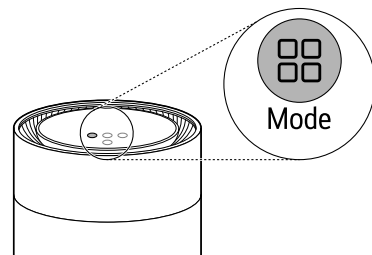
- El modo **Purificación** no se muestra en el panel de estado.

### Uso del modo Sueño

Use este modo para un funcionamiento más silencioso para cuando tiene planeado dormir.

Presione el botón **Mode** para elegir el modo **Sleep**.

- Cada vez que presione el botón, el modo de funcionamiento cambia en el siguiente orden: **Purificación** → **Sleep**.



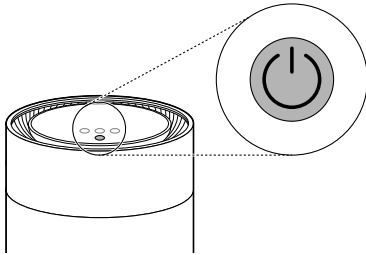
#### NOTA

- Toda la pantalla se apaga excepto la pantalla del modo **Sleep**.
- No puede ajustar el tiempo de funcionamiento en el modo **Sleep** separadamente. Para cancelar el modo **Sleep**, presione el botón **Mode** de nuevo.

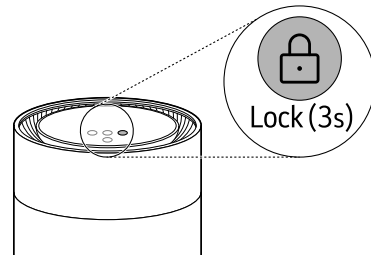
### Ajuste de la velocidad del ventilador

Ajuste la velocidad del ventilador del purificador de aire.

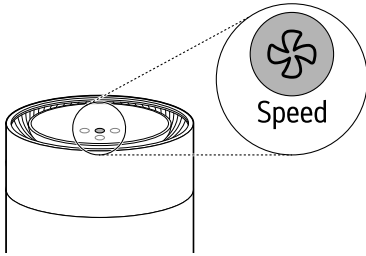
- 1** Presione el botón **Inicio/Apagado** para encender el producto.



- El ícono del candado se muestra en el panel de estado cuando se establece la función bloqueo.



- 2** Para ajustar la velocidad del ventilador, presione el botón **Speed**.
- Cada vez que presiona el botón, la velocidad del ventilador cambia en el orden de **Auto** → **Baja** → **Media** → **Alta** → **Turbo**.



**NOTA**

- Use el mismo método para activar o desactivar la función Bloqueo.
- La función Bloqueo puede activarse o desactivarse tanto si el purificador de aire está en funcionamiento como si no.

**NOTA**

- Cuando se inicia el producto por primera vez, la velocidad del ventilador está ajustada a **Auto**. El ajuste **Auto** establece automáticamente la velocidad del ventilador dependiendo de la calidad del aire del aire interior.

**Uso de las funciones extra**

**Bloqueo del panel de control**

Bloquee los botones cuando desee prevenir que los niños o las mascotas cambien los ajustes accidentalmente.

Presione el botón **Lock** por 3 segundos para bloquear los controles.

## Calidad general del aire

### Explicación de la calidad general del aire

La calidad general del aire se calcula en base a la concentración de partículas y se categoriza en 4 niveles en base al nivel de contaminación del aire. (Verde, amarillo, naranja y rojo)

Color	Calidad general del aire	Concentración de PM ( $\mu\text{g}/\text{m}^3$ )		
	Estado	PM10	PM2.5	PM1.0
<b>Rojo</b>	Deficiente	255 o más	56 o más	56 o más
<b>Naranja</b>	Insalubre	155 ~ 254	36 ~ 55	36 ~ 55
<b>Amarillo</b>	Moderado	55 ~ 154	13 ~ 35	13 ~ 35
<b>Verde</b>	Bueno	54 o menos	12 o menos	12 o menos

#### NOTA

- La calidad general del aire puede observarse según el color del indicador de calidad del aire.
- El color del indicador general de calidad del aire se determina en función de la concentración de partículas (PM).
- Los valores de concentración de PM se basan en la hoja de datos facilitada por el fabricante del sensor.
- La medición de la concentración de PM se ha probado utilizando los materiales de prueba estándar de LG Electronics.

# FUNCIONES INTELIGENTES

## Aplicación LG ThinQ

La aplicación **LG ThinQ** permite comunicarse con el aparato mediante un teléfono inteligente.

### Funciones de la Aplicación LG ThinQ

#### Smart Diagnosis

Si se encuentra con un problema relacionado con el uso del aparato, esta funcionalidad de **Smart Diagnosis** le ayudará a diagnosticar el problema.

#### Ajustes

Le permite ajustar varias opciones del aparato y en la aplicación.

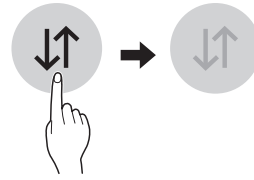
#### NOTA

- En los siguientes casos, debe actualizar la información de red para cada electrodoméstico en la aplicación **LG ThinQ** en **tarjeta del electrodoméstico** → **Ajustes** → **Cambio de red**.
  - el router inalámbrico ha cambiado
  - la contraseña del router inalámbrico ha cambiado
  - el proveedor de servicio de internet ha cambiado
- La aplicación está sujeta a cambios con el fin de mejorar el producto sin previo aviso a los usuarios.
- Las funciones pueden variar según el modelo.

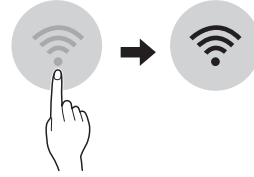
## Antes de usar la aplicación LG ThinQ

Esta función sólo está disponible en los modelos con función Wi-Fi.

- 1 **Cheque la distancia entre el aparato y el router inalámbrico (red Wi-Fi).**
  - Si la distancia entre el aparato y el router inalámbrico es demasiado grande, la intensidad de la señal será débil. La conexión puede tardar mucho tiempo o la instalación puede fallar.
- 2 **Desactive los datos móviles o los datos celulares de su teléfono inteligente.**



- 3 **Conecte el teléfono inteligente al router inalámbrico.**



#### NOTA

- Para verificar la conexión Wi-Fi, cheque que el icono Wi-Fi del panel de estado esté encendido.
- **El aparato sólo es compatible con redes Wi-Fi de 2,4 GHz.** Para verificar la frecuencia de su red, póngase en contacto con su proveedor de servicios de Internet o consulte el manual del router inalámbrico.
- **LG ThinQ** no se hace responsable de los problemas de conexión a la red ni de los fallos, mal funcionamiento o errores causados por la conexión a la red.
- Si el aparato tiene problemas para conectarse a la red Wi-Fi, es posible que esté demasiado lejos del router. Adquiera un repetidor Wi-Fi (extensor de alcance) para mejorar la intensidad de la señal Wi-Fi.
- Es posible que la conexión Wi-Fi no se conecte o se interrumpa debido al entorno de la red doméstica.
- Es posible que la conexión de red no funcione bien por cuestiones relacionadas con su proveedor de servicios de Internet.
- El entorno inalámbrico de alrededor puede hacer que el servicio de red inalámbrica funcione lentamente.
- Si el aparato no puede conectarse debido a problemas con la transmisión de la señal inalámbrica, desenchúfelo y espere aproximadamente un minuto previo a volver a intentarlo.
- Si el cortafuegos del router inalámbrico está activado, desactívelo o agréguele una excepción.

### NOTA

- El nombre de la red inalámbrica (SSID) debe ser una combinación de letras y números en alfabeto latino. (No utilice caracteres especiales).
- La interfaz de usuario (UI) del teléfono inteligente podría variar en función del sistema operativo móvil (SO) y del fabricante.
- Si el protocolo de seguridad del router está configurado como WEP, la configuración de la red puede fallar. Cambie el protocolo de seguridad (se recomienda WPA2) y vuelva a conectar el producto.

## Instalación de la aplicación LG ThinQ

Busque la aplicación **LG ThinQ** en la Google Play Store o Apple App Store en un teléfono inteligente. Siga las instrucciones para descargar e instalar la aplicación.

## Software de código abierto

Para obtener el código fuente bajo GPL, LGPL, MPL y otras licencias de código abierto con las obligaciones para divulgar el código abierto, que contiene este producto, y para acceder a todos los términos de la licencia, avisos de derechos de autor y otros documentos relevantes, visite <https://opensource.lge.com>.

LG Electronics también le proporcionará el código abierto en un CD-ROM por un costo que cubra los gastos de dicha distribución (como el costo del medio, del envío y de la manipulación) una vez realizado el pedido por correo electrónico a la dirección [opensource@lge.com](mailto:opensource@lge.com).

Esta oferta es válida para todo aquel que reciba esta información durante un período de tres años después de que se envíe el último cargamento de este producto.

## Aviso de la FCC

El siguiente aviso cubre el módulo transmisor contenido en este producto.

Este equipo fue probado y se determinó que cumple con los límites para los dispositivos digitales de Clase B, en conformidad con la parte 15 de las normas de la FCC. Estos límites están diseñados para ofrecer una protección razonable contra interferencias dañinas en una instalación residencial. Este equipo genera, usa y puede emitir energía de radiofrecuencia y, si no se instala y

utiliza de acuerdo con las instrucciones, podría causar interferencias dañinas a las comunicaciones por radio. Sin embargo, no se garantiza que dicha interferencia no pueda ocurrir en instalaciones particulares. Si este equipo causa interferencia dañina a la recepción de radio o televisión, que se puede determinar encendiendo y apagando el equipo, se aconseja al usuario intentar corregir la interferencia realizando alguna de las siguientes acciones:

- Reorientar o reubicar la antena receptora.
- Aumentar la separación entre el equipo y el receptor.
- Conecte el equipo a una toma de corriente en un circuito diferente al que está conectado el receptor.
- Consultar al vendedor o a un técnico de radio/TV con experiencia para solicitar ayuda.

El dispositivo cumple con la parte 15 de las Reglas FCC. Su funcionamiento está sujeto a las siguientes dos condiciones:

Este dispositivo no debe causar interferencia dañina.

Este dispositivo debe aceptar cualquier interferencia que reciba, incluida la interferencia que pueda causar un funcionamiento no deseado.

Cualquier cambio o modificación en la construcción de este dispositivo, que no cuente con la aprobación expresa de la parte responsable del cumplimiento, puede anular la autorización del usuario para operarlo.

## Declaración sobre exposición a la radiación de RF de la FCC

Este equipo cumple con los límites de exposición a la radiación de la FCC establecidos para un entorno no controlado. Este transmisor no se debe ubicar ni utilizar junto con ninguna otra antena o transmisor.

El equipo se debe instalar y operar con una distancia mínima de 20 cm (7,8 pulg.) entre la antena y su cuerpo. Los usuarios deben seguir las instrucciones específicas de funcionamiento para asegurar el cumplimiento de las disposiciones sobre la exposición a la radiación de RF.

## Declaración sobre exposición a la radiación de RF

- Este equipo debe instalarse y utilizarse a una distancia mínima de 20 cm (7,8 pulgadas) respecto del cuerpo humano.

## Especificaciones del módulo RF

Tipo	Rango de frecuencias	Potencia de salida (Máx.)
Wi-Fi	2 412 - 2 462 MHz	< 30 dBm
Bluetooth	2 402 - 2 480 MHz	< 30 dBm

## Smart Diagnosis

Utilice esta funcionalidad para ayudarle a diagnosticar y resolver problemas con su aparato.

### NOTA

- Por motivos no atribuibles a la negligencia de LGE, es posible que el servicio no pueda funcionar debido a factores externos como, por ejemplo, la indisponibilidad de wifi, la desconexión de la red wifi, la política de la tienda de aplicaciones local o la indisponibilidad de aplicaciones, entre otros.
- La funcionalidad puede estar sujeta a cambios sin previo aviso y puede tener una forma diferente dependiendo de dónde se encuentre.

## Uso de LG ThinQ para diagnosticar problemas

Si experimenta un problema con su electrodoméstico equipado con wifi, este puede transmitir datos sobre la resolución de problemas a un teléfono inteligente con la aplicación **LG ThinQ**.

- Lance la aplicación **LG ThinQ** y seleccione la funcionalidad **Smart Diagnosis** en el menú. Siga las instrucciones proporcionadas en la aplicación **LG ThinQ**.


# MANTENIMIENTO

## Mantenimiento del producto

### Mantenimiento programado

#### ⚠️ ADVERTENCIA

- Detenga el funcionamiento del aparato y desenchufe el cable de alimentación previo a limpiar y reemplazar el filtro.
- No rocíe agua directamente sobre el aparato.

Componente	Frecuencia de limpieza	Frecuencia de reemplazo
 Filtro	<b>Filtro ultrafino</b> Limpie el filtro según sea necesario	1 año

#### NOTA

- El color del filtro puede variar según en función del entorno de uso y el color del polvo.
- La frecuencia de limpieza podría variar dependiendo de las horas de funcionamiento y del entorno del aparato.
- Si no limpia el producto de acuerdo con la frecuencia de limpieza, podría notar malos olores y un desempeño bajo.
- El filtro debe ser sustituido al final de su vida útil, y el costo de los filtros de reemplazo no está cubierto por la garantía. Para adquirir filtros nuevos, contacte a un Centro de Información al Cliente de LG Electronics o visite el sitio web [www.lg.com](http://www.lg.com).
- Las partes superior e inferior del filtro son de papel en lugar de plástico. La extracción repetida del filtro puede causar arañazos en la parte superior e inferior del filtro.
- Los arañazos en la parte superior e inferior del filtro no afectarán a su desempeño.

### Limpieza del exterior

- 1 Elimine el polvo de la entrada y salida de aire usando una aspiradora.

- 2 Frote el exterior del producto con un paño suave.

#### ⚠️ PRECAUCIÓN

- No frote el aparato con un detergente alcalino.
- No use nunca ácido sulfúrico, ácido clorhídrico ni disolventes orgánicos (por ejemplo, diluyente, queroseno y acetona) para limpiar el exterior del aparato, ni pegue etiquetas en el exterior. De lo contrario, podría dañar la superficie del producto.
- Se debe tener cuidado para prevenir que el agua ingrese al producto.

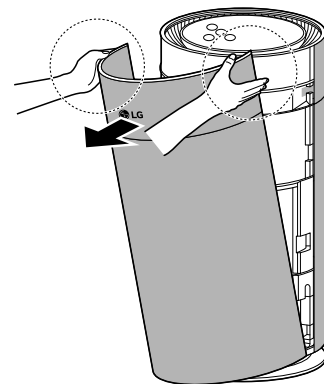
#### NOTA

- Si es difícil eliminar el polvo de las cubiertas frontal y trasera, desmonte las cubiertas y límpielas con agua. Luego de la limpieza, seque las cubiertas en profundidad a la sombra.

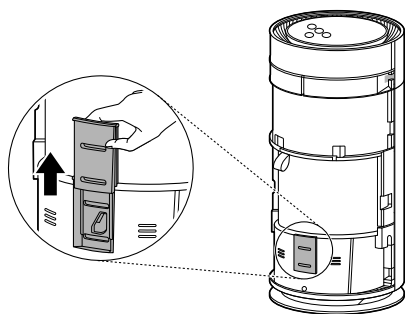
### Limpieza el sensor de partículas

El sensor PM1.0 detecta polvo fino y grandes niveles de contaminación por polvo, por lo que es beneficioso limpiar la lente periódicamente, al menos una vez cada 2 meses.

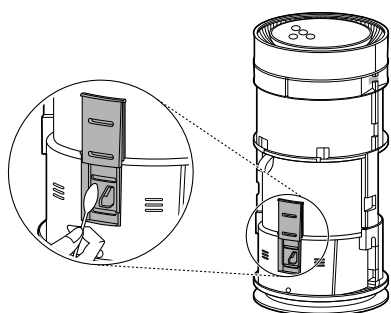
- 1 Sostenga la parte superior de la cubierta frontal con el **logotipo de LG**. Tire de la cubierta hacia adelante para retirarla.



- 2 Deslice la tapa del sensor hacia arriba.



- 3** Limpie la lente con un hisopo de algodón empapado en agua y séquela con un hisopo de algodón seco.



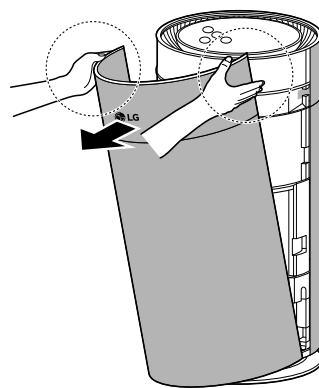
- 4** Cierre la cubierta del sensor.

#### NOTA

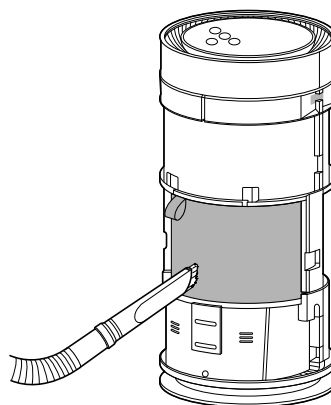
- No limpie el sensor con ninguna otra sustancia que no sea agua. De lo contrario, el aparato podría no funcionar correctamente.
- Es normal que la cubierta del sensor haga un sonido cuando se abra o se cierre.

### Limpieza de los filtros

- 1** Retire las cubiertas frontal y trasera del producto.



- 2** Use una aspiradora o un cepillo suave para eliminar cualquier resto de polvo del filtro ultrafino que rodea el filtro.



#### ⚠ PRECAUCIÓN

- No limpie el filtro con agua. La vida útil del filtro podría reducirse.
- Asegúrese de no dañar el filtro ultrafino cuando use una aspiradora.
- Tenga cuidado porque existe riesgo de desgarro o pérdidas al desmontar o montar el filtro ultrafino.
- Tenga cuidado con el fin de evitar de que ningún líquido ingrese al filtro, ya que podría dañar el filtro.


## Reemplazo de filtros

- 1 Retire la cubierta del producto y sustituya el filtro.
  - Para evitar esparcir polvo al reemplazar el filtro, coloque un periódico o toallas de papel en el piso antes de remover el filtro.
- 2 Cuando termine de reemplazar el filtro, apague la notificación de Reemplazo del filtro.

### NOTA

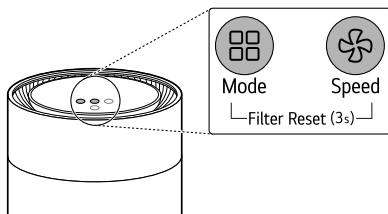
- La notificación de Reemplazo del filtro se enciende de acuerdo al período máximo de uso, considerando el tiempo de funcionamiento del producto. El intervalo de sustitución puede variar en función de las horas de uso y del entorno.

## Desactivación de la notificación de Reemplazo del filtro

: Notificación de reemplazo de filtros

Mantenga pulsado el botón **Mode** y **Speed** del panel de control por 3 segundos o más.

- Notificación de Reemplazo del filtro en el panel de estado se apaga y se restablece la hora de la notificación de Reemplazo del filtro.

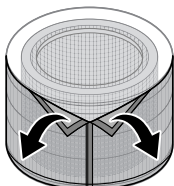


### NOTA

- Use al reemplazar el filtro.

## Reemplazo de filtros ultrafinos

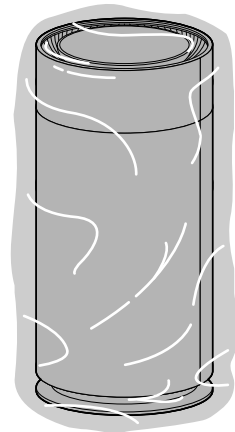
Para reemplazar el filtro ultrafino, localice el velcro y sepárelo lentamente y con cuidado para extraer el filtro ultrafino.



## Almacenamiento

Si el producto no se va a utilizar durante un largo periodo de tiempo, guárdelo en un lugar seco y a la sombra.

- 1 Haga funcionar el producto durante una hora o más en un día con buen clima.
  - Esto elimina la humedad y evita que se forme en el interior del producto.
- 2 Apague el aparato y desenchufe el producto del tomacorriente.
  - Enrolle el cable de alimentación alrededor de la parte inferior del aparato.
- 3 Guarde el aparato en una caja para evitar que ingrese polvo o sustancias extrañas al aparato.  
Guarde el aparato embalado lejos de la luz solar directa.



### PRECAUCIÓN

- No guarde el aparato en un lugar húmedo o expuesto a la luz solar directa.  
De lo contrario, el aparato podría deformarse, funcionar mal o generar olores.

# SOLUCIÓN DE PROBLEMAS

## Antes de llamar al servicio técnico

Favor de checar lo siguiente previo a llamar al servicio técnico. Si el problema persiste, contacte a su centro de servicio técnico local.

### Funcionamiento

Problemas	Causas posibles y solución
El producto no se enciende.	<b>¿Está desconectado el enchufe de alimentación?</b> <ul style="list-style-type: none"> <li>• Conéctelo correctamente a un tomacorriente.</li> </ul>
	<b>¿Se ha cortado la electricidad?</b> <ul style="list-style-type: none"> <li>• Cheque la alimentación de otros productos de la casa.</li> </ul>
Se produce un ruido y la velocidad del ventilador es baja.	<b>¿Se ha acumulado polvo en el filtro ultrafino?</b> <ul style="list-style-type: none"> <li>• Limpie el filtro ultrafino.</li> </ul>
	<b>¿Se ha acumulado polvo en el filtro?</b> <ul style="list-style-type: none"> <li>• Reemplace el filtro.</li> </ul>
El aire no se purifica adecuadamente.	<b>¿La polución interior es abundante?</b> <ul style="list-style-type: none"> <li>• Ventile el interior previo a usar el producto.</li> </ul>
	<b>¿Se ha acumulado polvo en el filtro ultrafino?</b> <ul style="list-style-type: none"> <li>• Limpie el filtro ultrafino.</li> </ul>
	<b>¿Se ha acumulado polvo en el filtro?</b> <ul style="list-style-type: none"> <li>• Reemplace el filtro.</li> </ul>
	<b>¿Lo utiliza en un lugar demasiado espacioso o demasiado abierto?</b> <ul style="list-style-type: none"> <li>• Utilice un producto que se adapte al tamaño de la habitación.</li> <li>• Evite los lugares bien ventilados, como puertas, ventanas, etc.</li> </ul>
	<b>¿Hay algún obstáculo cerca?</b> <ul style="list-style-type: none"> <li>• Retire cualquier obstáculo cercano previo a utilizar el producto.</li> </ul>
	<b>¿El producto está instalado en una esquina?</b> <ul style="list-style-type: none"> <li>• Mueva el producto y vuelva a instalarlo.</li> </ul>
	<b>¿El producto está instalado en un lugar demasiado espacioso o demasiado abierto?</b> <ul style="list-style-type: none"> <li>• Utilice un producto que se adapte al tamaño de la habitación.</li> <li>• Evite los lugares bien ventilados, como puertas, ventanas, etc.</li> </ul>
La calidad general del aire permanece en rojo.	<b>Mueva el aparato a otra habitación y observe si el color cambia.</b> <ul style="list-style-type: none"> <li>• Limpie el sensor PM1.0.</li> <li>• Desconecte el enchufe de alimentación del tomacorriente y vuelva a conectarlo un minuto más tarde.</li> </ul>
	<b>Se pulverizó una sustancia cerca del producto.</b> <ul style="list-style-type: none"> <li>• No utilice pulverizadores cerca del producto.</li> </ul>
Los botones del panel de control no funcionan.	<b>¿Se muestra el icono de bloqueo en el panel de estado?</b> <ul style="list-style-type: none"> <li>• Mantenga presionado el botón <b>Lock</b> por 3 segundos para desactivar la función bloqueo.</li> </ul>

## Olores

Problemas	Causas posibles y solución
<b>Sale un olor extraño de la salida de aire, así como del filtro.</b>	<b>¿Ha comprado el producto recientemente?</b> <ul style="list-style-type: none"> <li>Este es el olor del carbón activado, y no es dañino. Es similar al olor que puede sentir en un auto nuevo. Desaparecerá al día siguiente de su uso.</li> </ul>
	<b>¿Se utiliza el producto en una ubicación donde hay mucho humo u olores?</b> <ul style="list-style-type: none"> <li>Si el purificador de aire se utiliza luego de haber usado un ambientador, un difusor o una vela perfumada, o si se han realizado obras en el interior o se ha cambiado el papel pintado, el filtro puede absorber y emitir un olor. Ventile primero la habitación previo a utilizar el producto.</li> </ul>
	<b>¿Tiene el filtro mal olor?</b> <ul style="list-style-type: none"> <li>El ciclo de reemplazo del filtro puede variar en función del entorno de uso. Si hay mal olor, reemplace el filtro por uno nuevo.</li> </ul>
	<b>¿Se encuentra en un entorno en el que se preparan alimentos?</b> <ul style="list-style-type: none"> <li>Si utiliza el producto durante un largo período de tiempo en el que cocina o asa pescado/carne, la vida útil del filtro podría disminuir significativamente.</li> <li>Si es posible, abra una ventana para ventilar mientras cocina y utilice el producto para eliminar los olores que queden tras la ventilación.</li> </ul>
	<b>¿Es un ambiente húmedo?</b> <ul style="list-style-type: none"> <li>El filtro podría emitir olor si se utiliza en un ambiente húmedo. Seque el filtro a la luz del sol antes de utilizarlo.</li> </ul>

## LG ThinQ

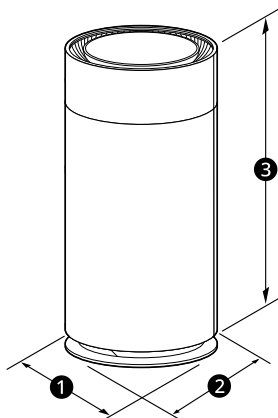
Problemas	Causas posibles y solución
<b>El producto y el teléfono inteligente no pueden conectarse a través de Wi-Fi.</b>	<b>¿Es correcta la contraseña Wi-Fi utilizada para conectarse al teléfono inteligente?</b> <ul style="list-style-type: none"> <li>Pulse el botón Configuración del teléfono inteligente y, a continuación, busque su Wi-Fi en la lista de redes. Mantenga pulsado el botón para seleccionar [Borrar red] y, a continuación, vuelva a realizar el registro del producto desde el principio.</li> </ul>
	<b>¿Su teléfono inteligente utiliza datos móviles en lugar de Wi-Fi?</b> <ul style="list-style-type: none"> <li>En los ajustes del teléfono inteligente, desactive los Datos móviles, active la conexión Wi-Fi y, a continuación, registre el producto.</li> </ul>
	<b>¿El nombre (ID) del router inalámbrico contiene caracteres especiales?</b> <ul style="list-style-type: none"> <li>Configure el nombre (ID) del router inalámbrico como una combinación de números y letras inglesas. La conexión Wi-Fi puede resultar difícil si introduce caracteres especiales.</li> </ul>
	<b>¿La frecuencia del router inalámbrico no es de 2,4 GHz?</b> <ul style="list-style-type: none"> <li>Al conectar el producto mediante Wi-Fi, sólo se puede utilizar una red de 2,4 GHz. Ajuste el router inalámbrico a 2,4 GHz y, a continuación, conéctese. Para checar la frecuencia de su router inalámbrico, contacte a su operador de Internet o con el fabricante del router.</li> </ul>
	<b>¿Están demasiado alejados el producto y el router inalámbrico?</b> <ul style="list-style-type: none"> <li>Si la distancia entre el producto y el router inalámbrico es demasiado grande, es posible que la señal inalámbrica sea débil y que la conexión no sea fluida. Acerque el router inalámbrico al producto.</li> </ul>

# APÉNDICE

## Información

### ESPECIFICACIONES DEL APARATO

- La apariencia y las especificaciones podrían variar sin previo aviso para mejorar la calidad del aparato.



Nombre	AS351GW30
Potencia	CC 24 V
Dimensiones exteriores (1 x 2 x 3)	9.4" x 9.4" x 19.7" (240 mm x 240 mm x 500 mm)

Adaptador CA/CC	
Fabricante	FOSHAN SHUNDE GUANYUDA POWER SUPPLY CO.,LTD.
Modelo	GM51-240200-1A
Entrada nominal	CA 100 V - 240 V ~, 50/60 Hz
Salida nominal	CC 24 V, 2,0 A, 48 W

# GARANTÍA LIMITADA

## EE. UU.

### TÉRMINOS Y CONDICIONES

#### AVISO DE ARBITRAJE:

ESTA GARANTÍA LIMITADA CONTIENE UNA DISPOSICIÓN DE ARBITRAJE QUE EXIGE QUE USTED Y LG ELECTRONICS ("LG" DE AQUÍ EN ADELANTE) RESUELVAN LOS CONFLICTOS MEDIANTE UN ARBITRAJE VINCULANTE EN LUGAR DE HACERLO ANTE TRIBUNALES, A MENOS QUE DECIDA NO PARTICIPAR. EN EL ARBITRAJE, LAS DEMANDAS COLECTIVAS Y LOS JUICIOS POR JURADOS NO ESTÁN PERMITIDOS. CONSULTE LA SECCIÓN TITULADA "PROCEDIMIENTO PARA RESOLVER CONFLICTOS" A CONTINUACIÓN.

#### QUÉ CUBRE ESTA GARANTÍA:

Si su purificador de aire LG ("Producto") no funciona correctamente debido a un defecto de fabricación o de material en condiciones de uso normal y adecuado, LG, a su discreción, reparará o sustituirá el Producto durante el período de garantía que se describe a continuación. Esta garantía limitada sólo es válida para el comprador minorista original del Producto (denominado "Usted") y sólo es válida para productos utilizados legalmente dentro de los Estados Unidos, incluidos los territorios de los Estados Unidos.

---

#### NOTA

- Durante el resto del periodo de garantía original o noventa (90) días, lo que sea más largo, se garantizan los Productos y piezas de sustitución.
- Los Productos y piezas de sustitución pueden ser nuevos, reconstruidos, mejorados o remanufacturados en fábrica.
- El Producto o pieza(s) sustituido(s) será(n) propiedad de LG.
- Para obtener el servicio de garantía bajo esta garantía limitada, se requiere una prueba de compra original al por menor que especifique el modelo del Producto y la fecha de compra.

---

## INFORMACIÓN

#### PERIODO DE GARANTÍA:

**1 año** desde la Fecha de compra: **Cualquier pieza interna/funcional y mano de obra**

#### CÓMO SE PROPORCIONA EL SERVICIO TÉCNICO: **servicio a domicilio**

Durante el periodo de garantía, se ofrecerá servicio a domicilio si está disponible en Estados Unidos. Es posible que no todas las localidades ofrezcan servicio a domicilio. El producto debe estar abierto al personal de servicio y accesible para el servicio a domicilio. Podría ser necesario desmontar, reparar y devolver el producto si durante el servicio a domicilio no se puede finalizar la reparación. Si así lo decidimos, LG puede organizar el transporte de ida y vuelta a un centro de servicio autorizado por LG si el servicio a domicilio no está disponible.

**CUALQUIER GARANTÍA IMPLÍCITA DE COMERCIABILIDAD O IDONEIDAD PARA UN FIN DETERMINADO EN EL PRODUCTO ESTÁ LIMITADA EN DURACIÓN A LA DURACIÓN DE LA GARANTÍA LIMITADA ANTERIOR, A MENOS QUE LO PROHÍBA LA LEGISLACIÓN APLICABLE. BAJO NINGUNA CIRCUNSTANCIA LG O SUS DISTRIBUIDORES/COMERCIANTES EN EE.UU. SERÁN RESPONSABLES DE NINGÚN DAÑO INDIRECTO, INCIDENTAL, CONSECUENTE, ESPECIAL O PUNITIVO,**

**INCLUYENDO, SIN LIMITACIÓN, PÉRDIDA DE FONDO DE COMERCIO, PÉRDIDA DE INGRESOS O BENEFICIOS, INTERRUPCIÓN DEL TRABAJO, DAÑOS A OTROS BIENES, COSTE DE RETIRADA Y REINSTALACIÓN DEL PRODUCTO, PÉRDIDA DE USO O CUALQUIER OTRO DAÑO, YA SEA BASADO EN UN CONTRATO, AGRAVIO U OTRA TEORÍA LEGAL. EN TODO CASO, LA RESPONSABILIDAD TOTAL DE LG NO SUPERARÁ EL PRECIO DE COMPRA QUE USTED PAGÓ POR EL PRODUCTO.**

ES POSIBLE QUE LAS EXCLUSIONES O LIMITACIONES ANTERIORES NO SE APLIQUEN EN SU CASO, YA QUE ALGUNOS ESTADOS NO PERMITEN LA EXCLUSIÓN O LIMITACIÓN DE DAÑOS INCIDENTALES O CONSECUENTES NI LIMITACIONES EN LA DURACIÓN DE UNA GARANTÍA IMPLÍCITA. USTED TAMBIÉN PUEDE TENER OTROS DERECHOS LEGALES QUE DIFIEREN DE UN ESTADO A OTRO, PERO ESTA GARANTÍA LIMITADA LE OTORGA CIERTOS DERECHOS LEGALES.

### **ESTA GARANTÍA LIMITADA NO CUBRE:**

- Visitas del servicio técnico para entregar, recoger o instalar, dar instrucciones de uso, arreglar el cableado o realizar reparaciones sin licencia.
- Cuando hay cortes de electricidad o el servicio eléctrico está interrumpido o es insuficiente, el Producto puede dañarse o funcionar mal.
- Las fugas o roturas de agua, las tuberías de agua congeladas, las tuberías de desagüe obstruidas, un suministro de agua insuficiente o interrumpido, o un suministro de aire insuficiente pueden provocar fallos o daños en el Producto.
- Utilizar el Producto en contra de lo indicado en el manual del propietario del Producto, en un entorno corrosivo o de cualquier otra forma que provoque daños en el Producto.
- Daños o fallos del Producto causados por accidentes, plagas y parásitos, rayos, viento, incendios, inundaciones, actos de la naturaleza o cualquier otra causa fuera del control de LG.
- Daños o fallos del Producto causados por modificaciones o alteraciones no autorizadas, o si el Producto se utiliza para un fin distinto al previsto, o cualquier fuga de agua en caso de que el Producto no se haya instalado correctamente.
- Daños o fallos del Producto causados por una corriente eléctrica, voltaje o códigos de plomería incorrectos.
- Daños o fallos del Producto debidos al transporte, almacenamiento y/o manipulación, incluidos arañazos, abolladuras, desconchones y/u otros daños en el acabado del Producto, a menos que se notifiquen en el plazo de una (1) semana a partir de la entrega.
- Daños o fallos del Producto causados por uso indebido, abuso, instalación, reparación o mantenimiento incorrectos. La reparación inadecuada incluye el uso de piezas no aprobadas por LG. La instalación o el mantenimiento que no se realice de acuerdo con el manual del propietario del Producto se considera inadecuado.
- Daños o fallos del Producto causados por el uso de piezas, componentes, accesorios, productos de limpieza consumibles o cualquier otro producto o servicio que no sean autorizados por LG.
- Daños o falta de artículos en cualquier Producto de exposición o en caja abierta.
- Productos reacondicionados o cualquier Producto vendido "tal cual", "donde está", "con todos los defectos" o con un descargo de responsabilidad similar.
- Productos con números de serie originales que hayan sido retirados, alterados o sean ilegibles.
- Aumentos del costo de los servicios públicos y gastos adicionales por servicios públicos.
- Cualquier ruido causado por el funcionamiento normal.
- Productos utilizados para fines distintos del uso doméstico normal y adecuado (p. ej., uso comercial o industrial) o que infrinjan el Manual del propietario del Producto.
- Costos asociados a la retirada y reinstalación del Producto para reparaciones, o a la retirada y reinstalación del Producto si se instala en un lugar inaccesible o no se instala de acuerdo con el Manual del propietario del Producto.

- A excepción de las piezas internas/funcionales cubiertas por esta garantía limitada, los accesorios, componentes desmontables o piezas consumibles (p. ej., estantes, compartimentos de puertas, cajones, filtros de agua/aire, rejillas, bombillas, pilas, etc.) no están cubiertos.
- Sustituir los fusibles de la casa o reajustar los disyuntores, corregir el cableado o la plomería de la casa o corregir la instalación del producto son ejemplos de servicios.

**Usted se hará cargo de los gastos de reparación o sustitución en estas circunstancias excluidas.**

PARA OBTENER SERVICIO DE GARANTÍA E INFORMACIÓN ADICIONAL

Llame al 1-800-243-0000 y seleccione la opción adecuada del menú. O visite nuestro sitio web en <http://www.lg.com>

O por correo postal: LG Customer Information Center (ATTN: CIC) 201 James Record Road, Huntsville, AL 35824

## PROCEDIMIENTO PARA RESOLVER CONFLICTOS:

TODOS LOS CONFLICTOS ENTRE USTED Y LG QUE SURJAN EN RELACIÓN CON ESTA GARANTÍA LIMITADA O CON EL PRODUCTO SE RESOLVERÁN EXCLUSIVAMENTE A TRAVÉS DE UN ARBITRAJE VINCULANTE Y NO ANTE UN TRIBUNAL DE JURISDICCIÓN GENERAL. "ARBITRAJE VINCULANTE" SIGNIFICA QUE USTED Y LG RENUNCIAN AL DERECHO DE UN JUICIO CON JURADO Y A REALIZAR O PARTICIPAR EN UNA DEMANDA COLECTIVA.

**Definiciones.** Para el propósito de esta sección, las referencias a "LG" significan: LG Electronics U.S.A., Inc., sus empresas matrices, subsidiarias y filiales y cada uno de sus directivos, directores, empleados, agentes, beneficiarios, predecesores en interés, sucesores, cesionarios y proveedores; las referencias a "conflicto" o "reclamación" incluirán cualquier conflicto, reclamo o controversia de cualquier tipo, sin importar (ya sea basado en contrato, agravio, estatuto, regulación, ordenanza, fraude, falsa representación o cualquier teoría legal o equitativa) que surja de o esté relacionada con cualquier forma de venta, condición o desempeño del producto o de esta Garantía Limitada.

**Aviso de disputa.** En caso de que usted desee iniciar un procedimiento de arbitraje, primero debe notificar a LG por escrito al menos 30 días antes de iniciar el arbitraje; este aviso se presentará por carta a LG y se enviará a LG Electronics, USA, Inc., a la atención de Legal Department- Arbitration 111 Sylvan Avenue, Englewood Cliffs, NJ 07632. Usted y LG aceptan participar en discusiones de buena fe en un intento de resolver su reclamo de manera amistosa. En la carta debe indicar su nombre, dirección y número de teléfono, identificar el producto objeto del reclamo, y describir la naturaleza del reclamo y la solución que busca. Si usted y LG no pueden resolver el conflicto en un plazo de 30 días, cualquiera de las partes puede proceder a presentar una demanda de arbitraje.

**Acuerdo de arbitraje vinculante y renuncia de demanda colectiva.** En caso de no resolver el conflicto durante el período de 30 días después de enviar una notificación por escrito a LG, usted y LG se comprometen a resolver cualquier reclamo solamente a través de arbitraje vinculante sobre una base individual, a menos que usted se excluya, conforme a lo dispuesto a continuación. Cualquier conflicto entre usted y LG no se combinará ni consolidará con un conflicto relacionado con cualquier otro producto o reclamo de otra persona o entidad. Específicamente y sin perjuicio de lo anterior, no procederá bajo ninguna circunstancia cualquier conflicto entre usted y LG como parte de una demanda colectiva o representativa. En lugar del arbitraje, cualquiera de las partes podrá iniciar una acción individual ante un tribunal de reclamos menores, pero tales acciones en el tribunal de reclamos menores no podrán tomarse en una demanda colectiva o representativa.

**Normas y procedimientos de arbitraje.** Para comenzar con el arbitraje de un reclamo, usted o LG deben presentar una demanda escrita para arbitraje. El arbitraje será administrado por la Asociación Americana de Arbitraje (AAA) y se llevará a cabo ante un árbitro único de conformidad con las Normas de Arbitraje del Consumidor de la AAA, que tienen efecto al momento de inicio del arbitraje (en adelante, las "Normas de la AAA") y según los procedimientos establecidos en esta sección. Las Normas de la AAA están disponibles en línea en [www.adr.org/consumer](http://www.adr.org/consumer). Envíe una copia de su solicitud de arbitraje por escrito, así como una copia de esta disposición, a la AAA de la forma descrita en las Normas de la AAA. También debe enviar una copia de su solicitud por escrito a LG en LG Electronics, USA, Inc., a la atención de Legal Department- Arbitration 111 Sylvan Avenue, Englewood Cliffs, NJ 07632. Si hay un conflicto entre las Normas de la AAA y las reglas establecidas en esta sección, prevalecerán las reglas de esta sección. Esta disposición de arbitraje se rige por la Ley Federal de Arbitraje. El juicio se puede introducir en el laudo arbitral en cualquier tribunal de jurisdicción competente. El árbitro tomará su decisión en todas las cuestiones, excepto aquellos asuntos relativos al alcance y aplicabilidad de la cláusula de arbitraje y de la capacidad de arbitraje del conflicto para que el tribunal determine. El árbitro se regirá por los términos de esta disposición.

**Legislación vigente.** La legislación del estado de su residencia regirá esta Garantía limitada, así como todos los conflictos entre nosotros, salvo que sea invalidada o incoherente con leyes federales aplicables.

**Tarifas / Costos.** No debe pagar ninguna tarifa para iniciar un arbitraje. Al recibir su solicitud de arbitraje por escrito, LG pagará todos los gastos administrativos rápidamente a la AAA, a menos que usted solicite más de \$25.000,00 por daños, en cuyo caso el pago de estos gastos se regirá por las Normas de la AAA. Salvo disposición contraria prevista en el presente documento, LG pagará a la AAA todos los gastos documentales, administrativos y de arbitraje para cualquier arbitraje iniciado, de conformidad con las Normas de la AAA y esta disposición de arbitraje. Si usted prevalece en el arbitraje, LG cubrirá los honorarios y gastos de sus abogados, siempre y cuando sean razonables, de conformidad con ciertos factores que incluyen, entre otros, el monto de la compra y el monto del reclamo. No obstante lo indicado, si la ley aplicable permite una adjudicación de honorarios y gastos razonables de abogados, un árbitro

puede otorgarlos en la misma medida que lo haría un tribunal. Si el árbitro considera que el fondo de su reclamo o la reparación solicitada en la demanda es frívola o se utiliza para un propósito inadecuado (calificado según las normas establecidas en la Norma Federal de Procedimiento Civil 11 (b)), el pago de todos los honorarios de arbitraje se regirá por las Normas de la AAA. En tal situación, usted se compromete a reembolsar a LG todos los fondos que haya erogado previamente, cuyo pago es, por otra parte, su obligación según las Normas de la AAA. Salvo disposición contraria, LG renuncia a cualquier derecho que pudiera tener para solicitarle los honorarios y gastos de sus abogados, si LG prevalece en el arbitraje.

**Audiencias y ubicación.** Si su reclamo es por \$25.000 o menos, puede optar por que el arbitraje sea realizado únicamente sobre la base de lo siguiente: (1) documentos presentados al árbitro; (2) a través de una audiencia telefónica; o (3) mediante una audiencia presencial, según lo establecido por las Normas de la AAA. Si su reclamo excede los \$25.000, el derecho a una audiencia estará determinado por las Normas de la AAA. Cualquier audiencia de arbitraje presencial se realizará en un lugar dentro del distrito judicial federal en el cual resida, a menos que ambas partes acuerden llevarla a cabo en otra ubicación o mediante un arbitraje telefónico.

**Exclusión.** Puede excluirse de este procedimiento de resolución del conflicto. Si se excluye, ni usted ni LG pueden solicitar al otro que participe en un procedimiento de arbitraje. Para excluirse, debe enviar una notificación a LG en un plazo de hasta 30 días continuos a partir de la fecha de la primera compra del consumidor del producto, por alguno de estos medios: (i) enviar un mensaje de correo electrónico a [optout@lge.com](mailto:optout@lge.com), con el asunto: "Exclusión del arbitraje" o (ii) por teléfono si llama al 1-800-980-2973. Debe incluir la siguiente información en el correo electrónico de exclusión o suministrarla por teléfono: (a) su nombre y dirección; (b) la fecha en la cual se compró el producto; (c) el nombre o el número del modelo del producto; y (d) el número de serie (puede encontrarse (i) en el producto o (ii) en el sitio <https://www.lg.com/us/support> al hacer clic en "How do I find my model number?" [¿Cómo puedo encontrar mi número de modelo?]).

Solo puede excluirse del procedimiento de resolución de conflictos en la forma descrita anteriormente (es decir, por correo electrónico o por teléfono); ninguna otra forma de notificación será efectiva para hacerlo. Excluirse de este procedimiento de resolución de conflictos no afectará de ninguna manera la cobertura de la Garantía limitada, por lo que usted continuará disfrutando de todos sus beneficios. Si conserva este producto y no se excluye, acepta todos los términos y condiciones de la cláusula de arbitraje descrita anteriormente.



LG Electronics USA, Inc.  
111 Sylvan Avenue, Englewood Cliffs, NJ 07632

LG Customer Information Center	Centro de Información al Cliente LG	Centre de Service à la Clientèle de LG
<p>For inquiries or comments, visit <b>www.lg.com</b> or call: <b>1-800-243-0000</b> U.S.A. <b>1-888-542-2623</b> CANADA</p>	<p>Para consultas o comentarios, visite <b>www.lg.com</b> o llame por teléfono: <b>1-800-243-0000</b> EE.UU. <b>1-888-542-2623</b> CANADÁ</p>	<p>Pour des questions ou des commentaires, visitez <b>www.lg.com/ca_fr</b> ou appelez : <b>1-800-243-0000</b> ÉTATS-UNIS <b>1-888-542-2623</b> CANADA</p>
<p>Register your product Online!</p>	<p>¡Registre su producto en línea!</p>	<p>Enregistrez votre produit en ligne!</p>
<p><b>www.lg.com</b></p>	<p><b>www.lg.com</b></p>	<p><b>www.lg.com/ca_fr</b></p>