

Installation Instructions

JXFLUSH1 Cooktop Flush-Mount Kit

? If you have questions, call GE Appliances at 800.GE.CARES (800.432.2737) or visit our website at: GEAppliances.com.

BEFORE YOU BEGIN

Read these instructions completely and carefully.

- **IMPORTANT** — Save these instructions for local inspector's use.
- **IMPORTANT** — Observe all governing codes and ordinances.
- **Note to Installer** – Be sure to leave these instructions with the Consumer.
- **Note** – The flush-mounted cooktop must be properly grounded.

FOR YOUR SAFETY

Review all Safety, Power Requirements, Dimensions and Clearances and Preparation of the cutout opening instructions in the Installation Instructions included with your cooktop.

NOTICE — Read all instructions thoroughly, PRIOR to beginning any work. Actual product dimensions may vary due to manufacturing tolerances.

⚠ WARNING To avoid the risk of property damage, the cutout should be made by a professional cabinet installer.

⚠ WARNING Do not attempt to flush-mount any cooktop counter unit that requires a down draft ventilation system.

⚠ WARNING Installer must ensure that the counter is capable of holding at least 300 lbs. once the cooktop has been flush mounted.

KIT INCLUDES

- Installation Instructions
- (2) 60" long 3/4" wide one sided foam tape
- (2) 130" long 3/4" wide one sided Teflon tape
- Hold Down Bracket Hardware:
 - (2) hold down bracket
 - (2) 3/8" long 1/4" hex head screw
 - (2) 2 1/2" long thumb screw

MATERIALS YOU WILL NEED

- High-temperature sealant meeting the following requirements:
 - Only certain models may be installed over wall ovens. The wall oven and cooktop will both have a label stating which models are approved in combination.
 - 100% Silicone
 - Temperature rating – 400°F minimum
 - Tack free time – 30 minutes minimum
 - **Recommendation:**
GE SUPREME 100% Silicone "CLEAR"
- Caulking tool(s) to shape/finish the silicone bead.
- 2 Heavy duty suction cups, each rated for 100 lbs. minimum.
- Masking tape
- Measuring tape
- Pencil
- Scraper

CUTTING THE COUNTERTOP

If you are installing the cooktop in a solid surface material such as granite, quartz or any other natural or synthetic solid surface, we recommend that the flush-mount cutout be prepared by a professional cabinet or countertop installer.

Cooktop cutouts in wood or wood-laminate countertops may be able to be prepared using a 1½ HP (minimum) router and carbide router bit.

Installation Instructions

INSTALLING THE COOKTOP

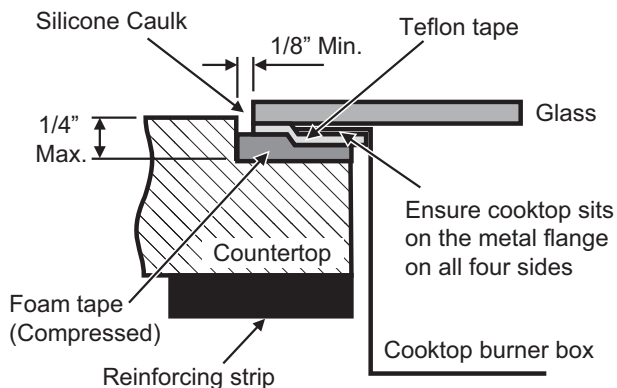
1. Initially prepare the cutout as per the installation instructions that were supplied with your cooktop.

IMPORTANT: Prior to final installation of the unit in the flush-mount cutout using the silicone caulk, temporarily make all wiring connections and check the unit per the installation instructions to ensure it is working properly. The unit should be re-wired and re-checked for correct working upon final installation.

2. Use a pencil and measuring tape to prepare the cutout area by marking it off per the dimensions on page 4.
3. The cutout must be made to a maximum depth of $\frac{1}{4}$ " and should always leave at least a $\frac{1}{8}$ " gap all around the edge of the cooktop.

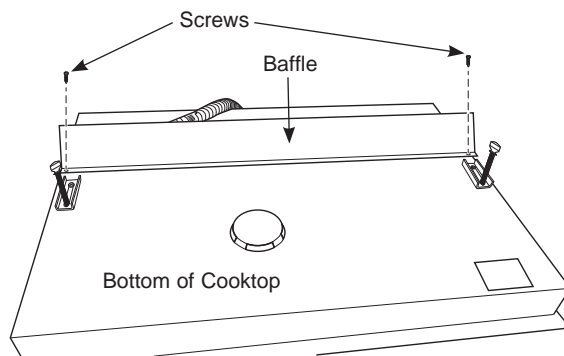
IMPORTANT: To ensure sufficient support for the cooktop while cooking, reinforcing strips of wood or solid surface material must be secured in place below the edge of the cutout (see illustration).

Ensure sufficient support is provided in all necessary locations on the countertop. Follow all countertop manufacturer installation instructions.



⚠ WARNING Failure to provide adequate countertop reinforcement for cooktop may result in damage to unit when weight is added to cooktop during cooking.

4. Vacuum dust and other particles from the cooktop cutout.
5. Apply the black foam tape provided in the kit to the top of the rabbeted edge of the countertop, flush with the outer edge of the rabbet (see picture in step 3.) The foam tape will keep the silicone sealant from seeping between the countertop and the underside of the cooktop. Make sure the foam tape does not overlap - it needs to be a single thickness for proper spacing.
6. Apply the Teflon tape to the underside of the cooktop flush with the outside edge of the glass and partially covering the metal flange (see picture in step 3.) Trim the Teflon tape at the corners of the cooktop to match the curve of the glass. The Teflon tape will keep the silicone sealant from seeping between the glass and the metal.
7. Install the hold-down brackets provided in the kit onto the cooktop (both sides). **DO NOT TIGHTEN YET.** Turn the brackets inwards to avoid interference when dropping the cooktop into the countertop. The baffle supplied with the cooktop needs to be attached as well, unless the cooktop is being installed over a single wall oven.

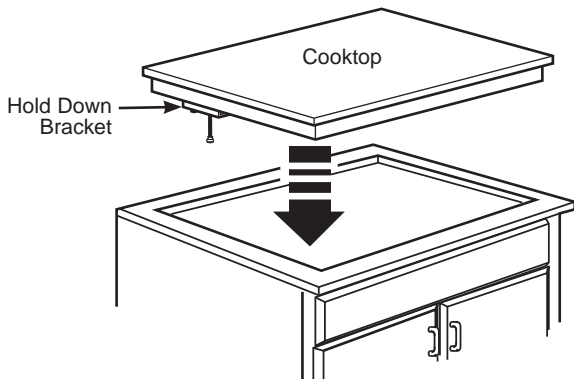


Installation Instructions

INSTALLING THE COOKTOP

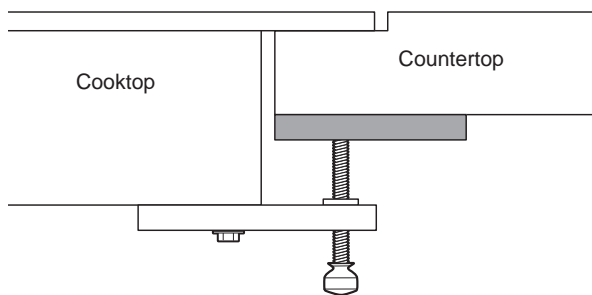
- Using the heavy duty suction cups (not provided) lift and place the cooktop into the prepared cutout.

CAUTION Ensure that the cooktop surface is higher than the countertop surface to prevent hot cookware from contacting the countertop. If necessary, add wooden shims under the foam tape where needed around the perimeter of the cooktop to increase the height. Make sure the foam and Teflon tapes contact around the entire perimeter.



- Make all wiring connections and check unit per the installation instructions to ensure that it is working correctly.
- Align the cooktop in the opening allowing for equal clearance on all sides.
- Access the bottom of the cooktop below the countertop and tighten the screws on the hold-down brackets. Turn the thumbscrew until it touches the bottom of the countertop (see picture).

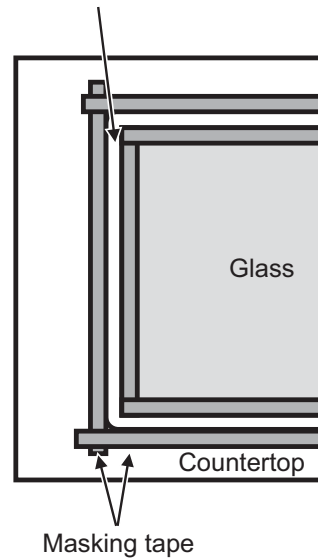
IMPORTANT: Turn the thumbscrew just until it touches the bottom of the countertop. **DO NOT OVERTIGHTEN.**



- Using masking tape (not provided), place a border around the edge of the cooktop cutout and the edges of the glass. This will prevent the silicone sealant from sticking to the top surface of the countertop or to the glass surface of the cooktop.

WARNING Do not allow silicone sealant to come into contact with the top surface of the glass cooktop.

Make sure tape does not cross area to fill with silicone sealant



- Ensure the area is well ventilated when applying sealant. Apply high-temperature 100% silicone sealant (not provided) into the opening between the countertop edge and the edge of the glass cooktop, one side at a time. It is important to wipe away any sealant on the glass and countertop immediately as the sealant can begin to form a skin fairly quickly. Use only a high-temperature 100% silicone sealant that meets the listed specifications. Use a caulking tool to finish the surface of the bead to get a smooth look.
- Do not touch the sealant, or move or use the cooktop for the amount of time listed as the full cure time for the sealant. Protect the area from dust for at least 2 hours.
- Allow the sealant to cure for the manufacturer's recommended time, then remove the masking tape from the countertop and glass cooktop. Clean any excess sealant on the cooktop and countertop with the scraper.

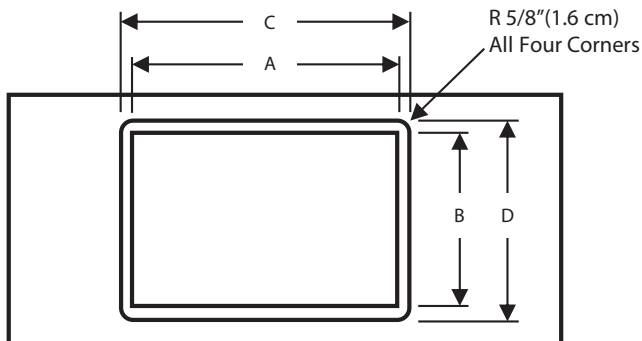
Installation Instructions

INSTALLING THE COOKTOP

CUTOUT DIMENSIONS

These are the dimensions to which the countertop should be cut for both the 30" and 36" wide cooktops.

Maximum depth of cut is 1/4".



Cooktop	A	B	C	D
30"	28-1/2"	19-5/8"	30"	21-1/8"
36"	33-7/8"	19-1/8"	36-1/4"	20-5/8"

INSTALLING ABOVE A WALL OVEN

When installing the cooktop above a single wall oven, do not install the baffle. The wall oven will need to be removed during the cooktop installation and then re-installed into its space.

IMPORTANT: Maintain a minimum distance of 31-1/4" from the top surface of the countertop to the wall oven platform to ensure that the cooktop and wall oven do not interfere with each other (see picture).

IMPORTANT: When the cooktop is installed above a flush-mounted wall oven, the clearance from the front edge of the countertop to the front edge of the cooktop cutout is 2-1/2" minimum plus the wall oven cleat setback (see picture).

