

LG SIGNATURE

CBGU3039X

30" Gas Cooktop

KEY FEATURES

- LED Illuminated Knobs
- UltraHeat™ Dual Burner
- 24K Center Burner
- EasyClean® Cooktop
- Cast Iron Grate
- 5 Sealed Gas Burners



Knob



Angle View



Top View

PRODUCT FEATURES

SUMMARY

Type	30" Gas Cooktop
No. of Burners	5
Color	Stainless Steel

COOKTOP FEATURES

Cooktop Burner Type	Sealed Gas Burner
No. of Burners	5
Burner - Left Rear (LNG/LPG) (BTU)	10000/ 7500
Burner - Right Rear (LNG/LPG) (BTU)	5000/ 4000
Burner - Left Front (LNG/LPG) (BTU)	10000/ 7500
Burner - Right Front (LNG/LPG) (BTU)	13500/ 14000
Center (Warming Zone) (BTU)	24000/ 16000
Burner Simmer/ BTU - Left Rear	1270
Burner Simmer/ BTU - Right Rear	670
Burner Simmer/ BTU - Left Front	1270
Burner Simmer/ BTU - Right Front	1270
Center (Warming Zone)	600

CONTROL

Cooktop Control Type	Knob
Display	No
Power Level Setting	-
Control Location	Front-Center
Auto Re-Ignition	-

POWER AND RATING

Amp at 240V	-
kW at 120V	120V 60Hz / 0.12A
Requirements	120V / 60Hz AC

APPEARANCES

Available Colors	Stainless Steel
Handle / Knobs Colors	Light Bronze
Knobs	Aluminum
PrintProof™ Finish	No
Cooktop Finish	Stainless Steel
EasyClean Coating	Yes
Backlit Knobs	Yes
Weighted Knobs	-

ACCESSORIES

Broiler Pan	No
Giddle	No
Meat Probe	No
Heavy Duty Rack	No
Gliding Rack	No
Cook Book	No
Spray Bottle	No
Conversion Kit	Yes

SMART FEATURES

ThinQ® (Wi-Fi Enabled)	Yes
Check & Control	No
Voice Control	No
Smart Recipe (3rd Party Recipe App)	No
Proactive Customer Care	No
SmartDiagnosis™	No
NFC Tag On	No
Camera	No

DIMENSIONS / CLEARANCES / WEIGHT

Product Dimensions (WxHxD)	30" x 3 3/4" x 21"
Cut-Out (WxHxD)	28 1/2" x 3 3/4" x 19 5/8"
Packing (WxHxD)	33 15/16" x 9 3/4" x 25 3/8"
Product Weight (lbs)	49.47 lbs
Shipping Weight (lbs)	64 lbs

LIMITED WARRANTY

Parts and Labor	2 Year
-----------------	--------

UPC CODE

CBGU3039X	048231349991
-----------	--------------

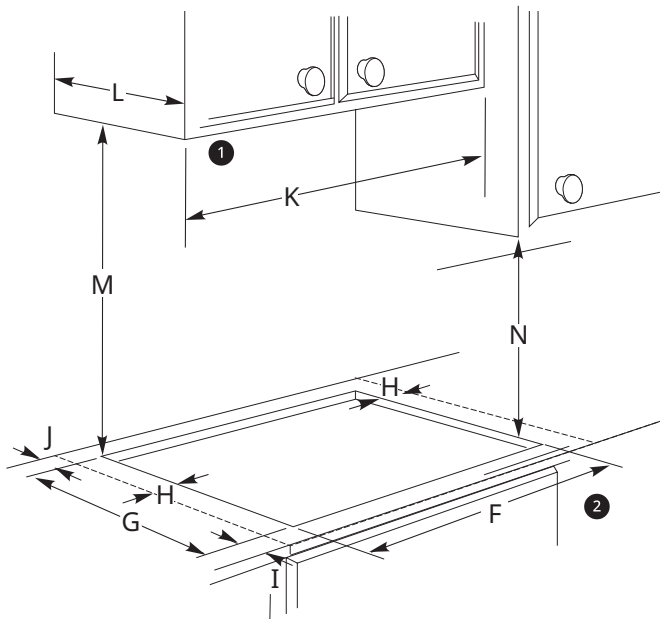
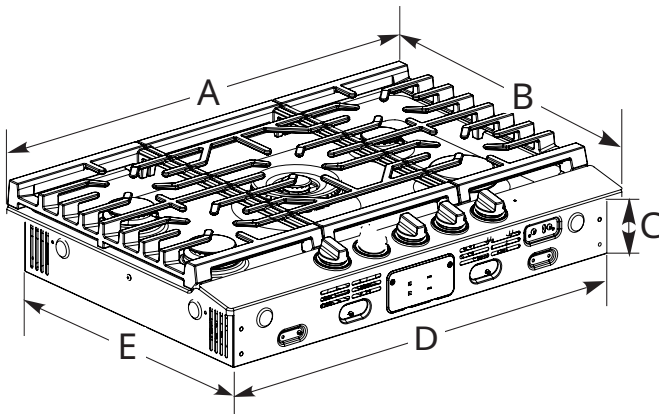
CBGU3039X

30" Gas Cooktop

QUICK INSTALL & CLEARANCES

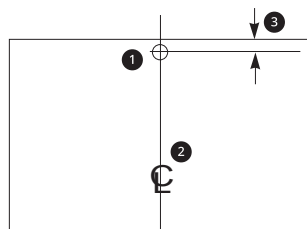
For full installation directions/clearances please refer to the corresponding User Manual and Installation Guide.

PRODUCT DIMENSIONS



- 1 Make sure wall coverings, countertop and cabinets around cooktop can withstand the heat (up to 200°F) generated by the cooktop
- 2 To ensure accuracy, it is best to make a template when cutting the opening in the counter

- 1 Recommended gas supply location
- 2 From cutout center line
- 3 1" min. from back wall



DIMENSION / CLEARANCE

Provide enough clearance between the cooktop and adjacent combustible surfaces. These dimensions must be met for safe use of your cooktop. The location of the electrical outlet and pipe opening may be adjusted to meet specific requirements.

The cooktop must be placed with at least 2 3/4" of clearance to the back wall.

DIMENSION / CLEARANCE	30" Cooktop
A	Width of upper plate 30" (760mm)
B	Depth of upper plate 21" (533mm)
C	Height of cooktop base 3 3/4" (95mm)
D	Width of cooktop base 28 1/4" (717mm)
E	Depth of cooktop base 19 3/8" (492mm)
F	Width of cutout 28 1/2" (724mm)
G	Depth of cutout 19 5/8" (498mm)
H	Distance from cutout to side wall on th left of unit / Distance from cutout to side wall on the right of the unit ≥ 11 13/16" (300 mm)
I	Distance from front edge of cutout to front edge of countertop ≥ 1 5/8" (41 mm)
J	Distance between cutout and the wall behind the cooktop ≥ 2 3/4" (69 mm)
K	Width of unprotected overhead cabinets ≥ 30" (760mm)
L	Depth of unprotected overhead cabinets ≤ 13" (330 mm)
M	Clearance from countertop to unprotected overhead surface ≥ 30" (760 mm)
N	Clearance from countertop to nearest cabinet on either side of unit ≥ 18" (457 mm)

INSTALLATION

1. Locate the electrical outlet and gas shut-off valve in the cabinet beneath the cooktop.

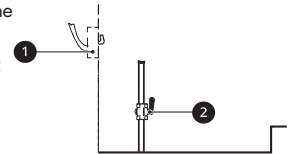
The access cap on the gas regulator must face the front of the cabinet and be easily accessible.

Never reuse old flexible connectors.

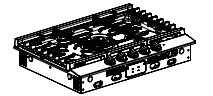
Install a manual shut-off valve 1 in the gas line in an easily accessible location outside the cooktop.

Be sure you know how and where to shut off the gas supply to the cooktop.

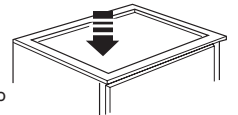
Install the electrical outlet 12" 2 below the countertop.



2. Carefully lower the cooktop into the countertop cutout, making sure not to trap any wires.



3. Remove the retainer brackets from the literature package



4. Install the retainer brackets 1 to the bottom of the cooktop unit 3, then snug the screws 2 against the bottom of the countertop 4 as shown.

