

LG SIGNATURE

LPGU6319Y

LG SIGNATURE 6.3 cu.ft. Slide-In Pro Range



KEY FEATURES

- Dynamic ProBake® Convection
- EasyClean® with Self Clean
- Glass Touch (SmoothTouch™)
- 6.8" LCD
- EasyClean® + Self Clean
- WideView™ Window
- Bi-Directional Multi-Speed
- ThinQ®



Knob



Control Panel



ThinQ App

PRODUCT FEATURES

SUMMARY		APPEARANCES		POWER/RATINGS	
Type	Slide-In Pro Range	Available Colors	Stainless Steel	Required Power Supply (amp)	120V/60Hz/4.8A
Oven Capacity (cu.ft.)	6.3	Knobs	Stainless Steel, LED illuminated	DIMENSIONS / CLEARANCES/ WEIGHT	
Color	Stainless Steel	Knobs Material	Aluminum	Shipping Weight	365 lbs.
CAPACITY		Knob Lighting (Backlit Dial Knob)	Yes	Product Weight	298 lbs.
Oven Capacity (cu.ft.)	6.3	Handle	Stainless Steel	Cabinet Width	36"
COOKTOP		Handle Material	Aluminum	Overall Depth without handle	26 3/4"
Burner/ BTU - Left Rear	12,000 BTU	Handle Type	Bar Type	Overall Depth including handle	29 5/16"
Burner/ BTU - Right Rear	5,000 BTU	PrintProof™ Finish	No	Overall Height	35 1/4"
Burner/ BTU - Left Front	20,000 BTU	Oven Door Feature	WideView™ Window	Overall Width	35 7/8"
Burner/ BTU - Right Front	23,000 BTU UltraHeat™	Cooktop Finish	Porcelain Enamel	Oven Interior Dimensions (W x H x D)	29 15/16" x 20 5/16" x 17 13/16"
Burner/ BTU - Center Rear	17,000 BTU	CONTROL		Height to Cooking Surface	36"
Burner/ BTU - Center Front	17,000 BTU	Cooktop Control Type	Front Control Knobs	Drawer Dimensions (W x H x D)	22 3/16" x 4 1/2" x 16 3/8"
OVEN FEATURES		Oven Control Type	Glass Touch	Carton Dimensions (W x H x D)	41 7/8" x 48" x 33 1/16"
Broil Element (BTU)	17,000 BTU	Display	6.8" LCD	LIMITED WARRANTY	
Bake Element (BTU)	23,000 BTU	Language	English/ Spanish/ French	Parts and Labor	2 Year
Convection Fan	Bi-Directional Multi-Speed	Clock	12hr or 24hr (Option)	UPC CODE	
Convection Type	Dynamic ProBake® Convection	Kitchen Timer	Yes	LPGU6319Y	048231350358
Oven Modes	Bake, Conv. Bake, Conv. Roast, Broil High, Broil Low, Warm, Proof, Frozen Meal, Air Fry, Air Roast, Air Sous-Vide, Pizza, Dehydrate, Crispy Reheat, EasyClean®, Self Clean	Timed Cook	Yes		
		Temperature Unit of Measure	Fahrenheit / Celsius		
		Cooking Complete Reminder Volume	Beeper (1.Loud, 2.Low, 3.Mute)		
		Certified Sabbath mode	Yes		
Oven Control Features	Glass Touch (SmoothTouch™)	ACCESSORIES			
Convection Conversion	Yes	Gliding Rack	1		
EasyClean®	Yes	Air Fry Rack	1		
EasyClean® Time	10 mins	Heavy Duty Rack	2		
Self Clean	Yes	Temperature Probe	1		
GoCook Smart Oven Light	Yes	SMART FEATURES			
No. of Rack Positions	7	ThinQ® (Wi-Fi Enabled)	Yes		
Door Lock	Yes	ThinQ Up	Yes		
Automatic Safety Shut-Down	After 12 hours	Check & Control	Yes		
InstaView	No	Voice Control	Google Assistant & Amazon Alexa		
DRAWER FEATURES		Smart Recipe (3rd Party Recipe App)	ThinQ Up Recipe Only		
Type	Storage	Proactive Customer Care	Yes		
		SmartDiagnosis™	Yes		

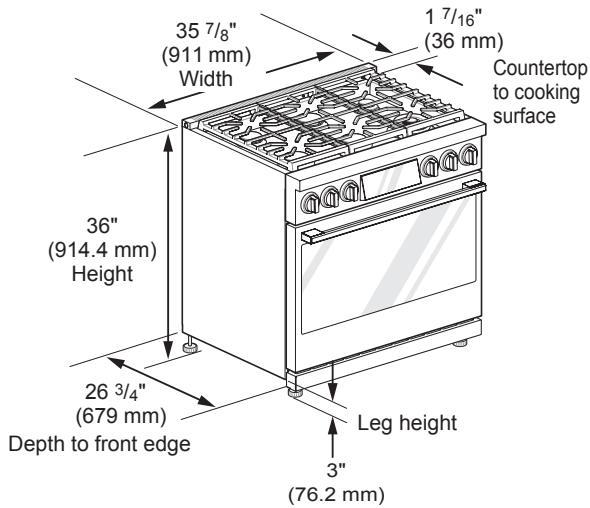
LPGU6319Y

LG SIGNATURE 36" Pro Range

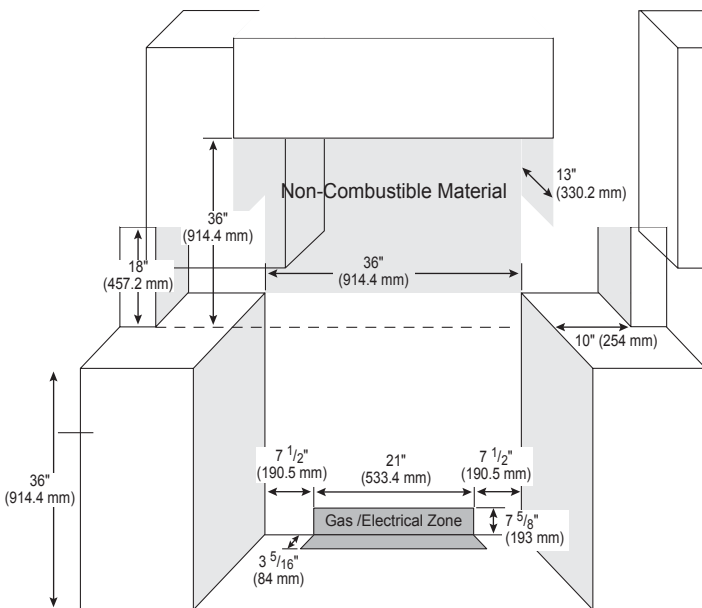
QUICK INSTALL & CLEARANCES

For full installation directions/clearances please refer to the corresponding User Manual and Installation Guide.

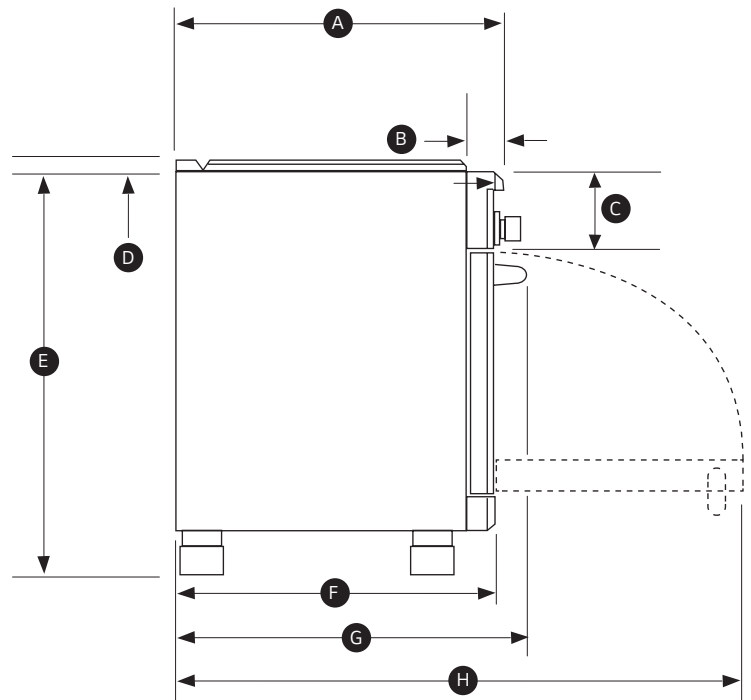
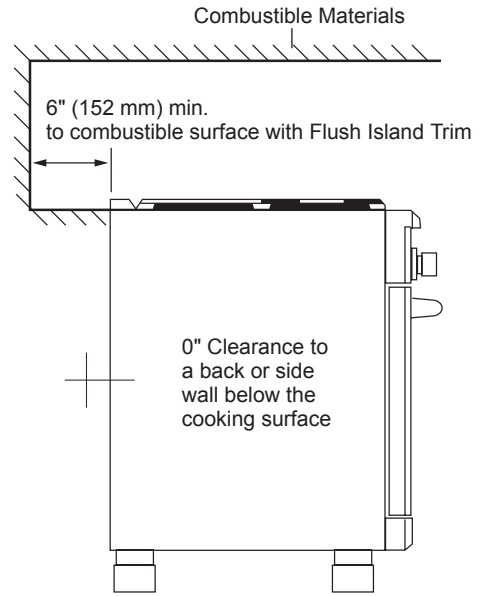
PRODUCT DIMENSIONS



Universal Utility Locations



CLEARANCE



- A** 27 15/16" (710mm) To Front Edge
- B** 3 7/16" (87mm) Control Panel Depth
- C** 7 9/16" (193mm) Control Panel Height
- D** 1 7/16" (36mm)
- E** 36" (914.4mm)
- F** 26 3/4" (679mm) To Front of Door
- G** 29" (740mm) To Front of Handle
- H** 50" (1270mm) With Oven Door Open

Ventilation Requirement

- It is recommended that these ranges be installed in conjunction with a suitable overhead vent hood.
 - Install a hood with at least 600 CFM above a 30" or 36" range.
- Due to the high heat capacity of this unit, particular attention should be paid to the hood and ductwork installation to assure it meets local building codes.