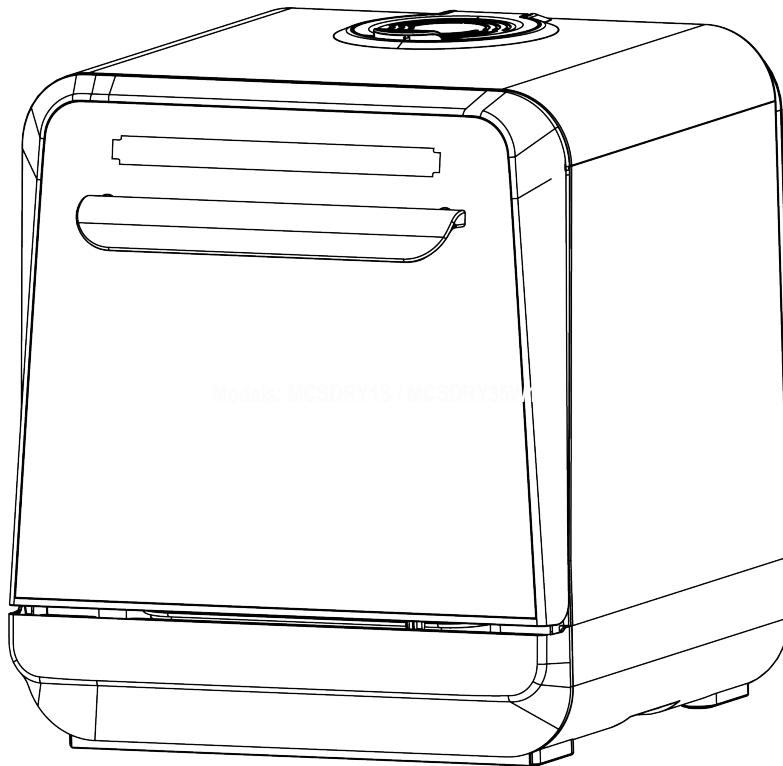




Magic Chef®

Countertop Dishwasher

User's Manual



Model: MCSCD3W

**PLEASE READ THIS MANUAL CAREFULLY BEFORE USING YOUR
DISHWASHER AND KEEP IT FOR FUTURE REFERENCE.**



PRODUCT REGISTRATION

Thank you for purchasing a Magic Chef® product. The first step to protect your new product is to complete the product registration on our website: www.mcappliance.com/register. The benefits of registering your product include the following:

1. Registering your product will allow us to contact you regarding a safety notification or product update.
2. Registering your product will allow for more efficient warranty service processing if warranty service is required.
3. Registering your product could act as your proof of purchase in the event of insurance loss.

Once again, thank you for purchasing a Magic Chef product.

CONTENTS

PRODUCT REGISTRATION2

IMPORTANT SAFETY INSTRUCTIONS4

SPECIFICATIONS.....6

PARTS AND FEATURES6

BEFORE USE7

OPERATING INSTRUCTIONS8

CARE AND MAINTENANCE10

TROUBLESHOOTING.....10

LIMITED WARRANTY11

IMPORTANT SAFETY INSTRUCTIONS

This manual contains Safety Instructions, Installation and Operating Instructions, and Troubleshooting Tips. Please carefully read this manual before using your Dishwasher for instructions on how to use and maintain the product properly. Be sure to follow the safety instructions to avoid injury or damage to the product. Keep this manual. When passing on/selling the device to a third party, the manual must be handed over along with the device. Before calling for service, please make sure unit is installed and being used correctly, and read the troubleshooting section.

▲ WARNING: When using your appliance, follow the precautions listed below:

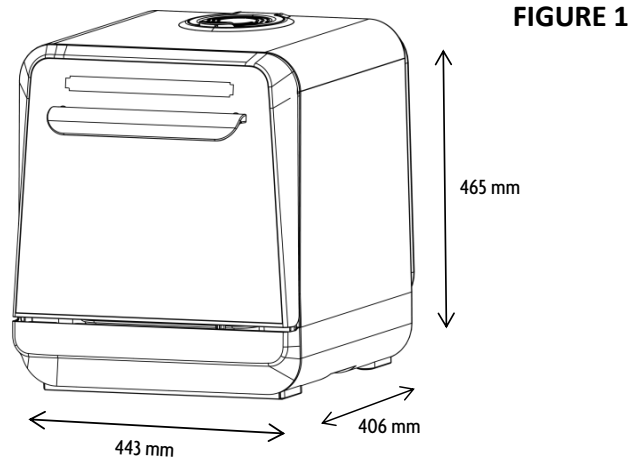
NOTE: Specifications may change at any time without notice.

1. Read all instructions.
2. This appliance is for household use only. It is not intended for commercial applications.
3. The appliance is intended for indoor use only. DO NOT use outdoors.
4. Use only for intended purpose.
5. DO NOT operate your dishwasher unless all enclosure panels are properly in place.
6. DO NOT tamper with the control panel or display.
7. Remove the door to the washing compartment when removing an old dishwasher from service or discarding it.
8. The appliance must be plugged into a properly installed and grounded outlet that meets the voltage requirements listed on the ratings label.
9. ALWAYS place unit on a level, stable, heat resistant surface that can properly support the weight of the appliance. DO NOT use on carpet, vinyl, cloth, etc. and DO NOT move during operation.
10. The unit must be placed in a space with good ventilation. This product is intended to be used freestanding, DO NOT place it in a cabinet. DO NOT cover or block the steam exhaust vent to avoid overheating.
11. Under certain conditions, hydrogen gas may be produced in a hot-water system that has not been used for two weeks or more. HYDROGEN GAS IS EXPLOSIVE. If the hot-water system has not been used for such a period, before using the dishwasher turn on all hot-water faucets and let the water flow from each for several minutes. This will release any accumulated hydrogen gas. As the gas is flammable, do not smoke or use an open flame during this time.
12. GROUNDING INSTRUCTIONS--This appliance must be grounded. In the event of a malfunction or breakdown, grounding will reduce the risk of electric shock by providing a path of least resistance for electric current. This appliance is equipped with a cord having an equipment-grounding conductor and a grounding plug. The plug must be plugged into an appropriate outlet that is installed and grounded in accordance with all local codes and ordinances.
13. DO NOT put any object on top of the appliance and do not insert any objects (such as pins or wire) into the steam exhaust vent or any openings of the appliance.
14. Place the appliance in a well-ventilated and dry place, away from any kind of corrosive gas, fire sources, high temperatures, strong electromagnetic fields, steam, or humidity.
15. Only fill the water tank with 50°F - 68°F (10°C - 20°C) water (slightly below room temperature).
16. Use only detergents made for use in dishwashers.
17. Keep children away from detergents. Detergents may cause chemical burns in mouth, throat or eyes or and result in suffocation. If detergent accidentally gets into eyes, rinse immediately with water and seek medical treatment promptly.
18. DO NOT touch the heating element during or immediately after operation.
19. DO NOT operate the dishwasher unless the door is properly in place.
20. DO NOT abuse, sit or stand on the door, body, or racks of the appliance. DO NOT apply pressure to the door of the unit to avoid tipping it.
21. DO NOT allow children to operate, play with, or crawl inside the appliance.
22. The appliance can be used by children aged from 8 years and above and persons with reduced physical, sensory or mental capabilities, or lack of experience and knowledge, if they have given supervision or instruction concerning use of the appliance in a safe way and understand the hazards involved.
23. DO NOT add any type of solvent to the dishwasher.
24. DO NOT open the door while the program is still running. There is a risk of hot water spraying out of the appliance.
25. Use caution and keep children away from dishwasher when opening the door, as remaining water in the washing chamber may contain detergent residue.
26. Avoid damaging the door gasket of the dishwasher. Doing so can lead to leaks and potential shock hazard.
27. If the door cannot be properly closed or is damaged in any way, DO NOT use the appliance. Contact customer service for assistance.
28. ALWAYS turn off and remove the plug from the outlet when not in use and before cleaning. Allow unit to cool down before cleaning, moving or servicing.
29. It is not recommended to put sharp knives and objects in the dishwasher. If necessary, knives and other utensils with sharp points must be placed in the cutlery rack pointing downwards to avoid cut-type injuries or damage to the unit. DO NOT allow sharp points or tips to extend far beyond the bottom of the cutlery rack.
30. Only wash items that are designated as 'Dishwasher Safe'.
31. To prevent injury or damage to the unit caused by it tipping over, DO NOT overload the unit.
32. DO NOT use the dishwasher to clean or dry items other than dishes, unless rinsing fruits/vegetables using that cycle.

33. DO NOT store flammable materials in, on, or near the appliance.
34. The appliance is not intended to be operated by means of an external timer or separate remote-control system.
35. CAUTION: Appliance can be very hot during or after operation. DO NOT touch until the unit has cooled down to avoid injury.
36. DO NOT immerse the appliance or power cord into water or any other liquids. DO NOT plug in unit if power cord is wet or with wet hands to avoid electric shock injury and/or damage to the unit.
37. DO NOT modify or cut the power cord and DO NOT operate any appliance that has a damaged cord or plug; or if the unit is damaged or malfunctions in any way. Contact customer service or a service technician.
38. DO NOT let the cord hang over edge of table or counter. ALWAYS keep cord away from hot surfaces or items.
39. DO NOT unplug your appliance by pulling on the power cord. ALWAYS grasp the plug firmly and pull it straight out from the outlet.
40. DO NOT run cord under carpeting, throw rugs, runners, or similar coverings. DO NOT route cord under furniture, appliances, or any heavy object. Place the cord where it will not be tripped over.
41. ALWAYS unplug the appliance when it is not in use.

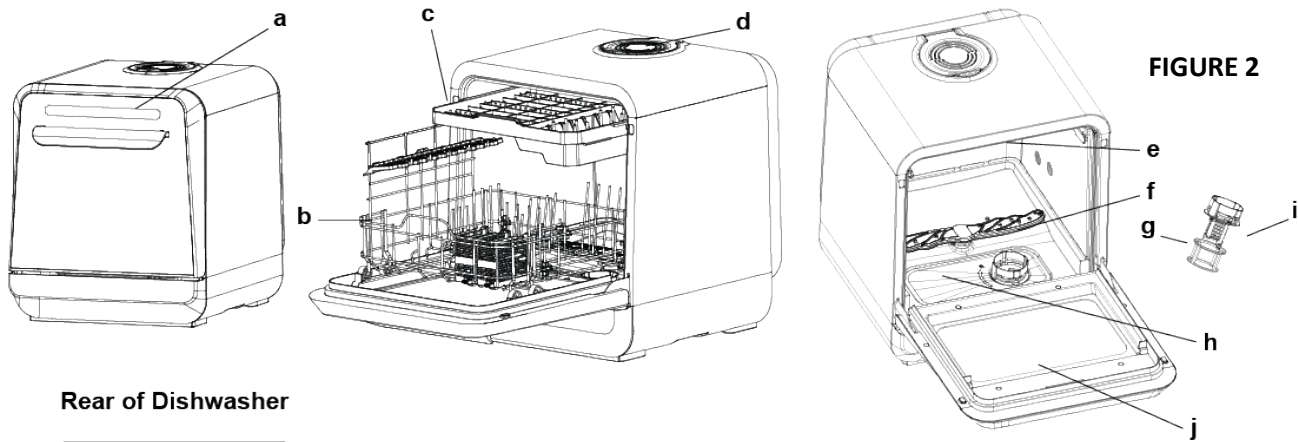
**READ AND FOLLOW THIS
SAFETY INFORMATION CAREFULLY
SAVE THESE INSTRUCTIONS**

SPECIFICATIONS

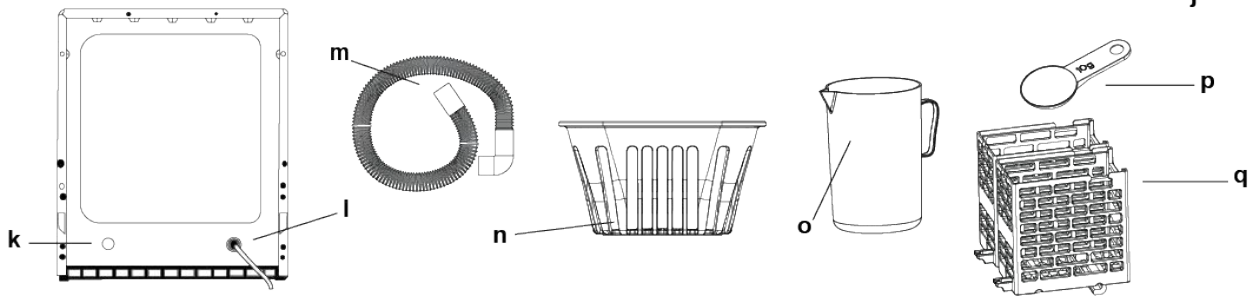


Model	MCSCD3W
Rated Voltage	120V ~ 60Hz
Rated Power	950W
Water Tank Capacity	5L / 10.6 pt / 5.3 qt / 20.8 cup
Net Weight	27.6 lb (12.5 kg)
Product Dimension (W x D x H)	17.4" x 16.0" x 18.3" (443 x 406 x 465 mm)

PARTS AND FEATURES



Rear of Dishwasher



- a. Display Zone / Control Panel
- b. Foldable Rack
- c. Removable Top Rack
- d. Tank Lid/Steam Exhaust Vent
- e. Upper Spray Arm

- f. Lower Spray Arm
- g. Micro Filter
- h. Flat Filter
- i. Coarse Filter
- j. Detergent Holder

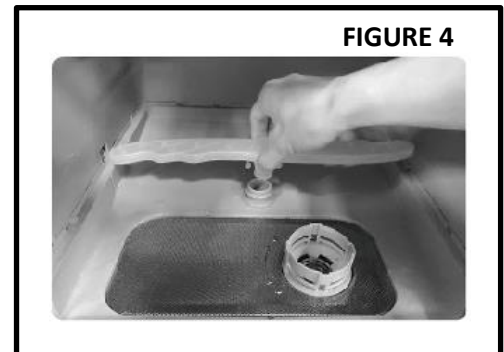
- k. Water Outlet
- l. Power Cord
- m. Water Drain Hose
- n. Fruit/Vegetable Washing Basket

- o. Water Pitcher
- p. Detergent Scoop
- q. Removable Cutlery Rack

BEFORE USE

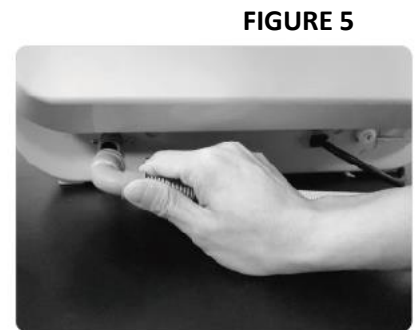
Remove all packing materials from the appliance. If there is a protective plastic film on the door or control panel, be sure to remove that. Examine the entire unit for any damage and verify that all parts and accessories are present. Rinse the spray arm, the baskets, and the filters (fine, coarse and micro) with water and wipe off the unit with a soft dry cloth. Place the dishwasher on a flat, level surface sturdy enough to support the unit and close enough to the sink and an electrical outlet for the power cord and drain hose to reach.

Install the flat fine filter and cylinder filter in the bottom of the inside of the dishwasher (The cylinder filter is comprised of coarse filter and micro filter, which can be separated by turning counter-clockwise). Turn the cylinder filter clockwise to lock in place. (Fig. 3) Attach the spray arm to the dishwasher by pushing firmly into place until you hear a click. Make sure it is secure and can still rotate freely. (Fig. 4)



Place the folding rack and the top rack, or the fruit/vegetable washing basket, into the dishwasher, and connect the supplied drainage hose to the water outlet hole at the back of the appliance. ALWAYS be sure push the drain hose in place correctly and the connection is secure (Fig. 5). Place the drainage hose in the sink and attach with the suction cup. The drainage hose should be kept facing downward. If the hose is pointing upward, the maximum acceptable height is 6" (15cm) from the bottom of dishwasher.

Be sure to keep the sink clean and do not immerse the drainage hose in water to prevent sewage flowing back.
NOTE: There may be some residual moisture in the unit due to factory testing to ensure proper functioning. If this is the case, wipe the interior dry with a soft cloth.

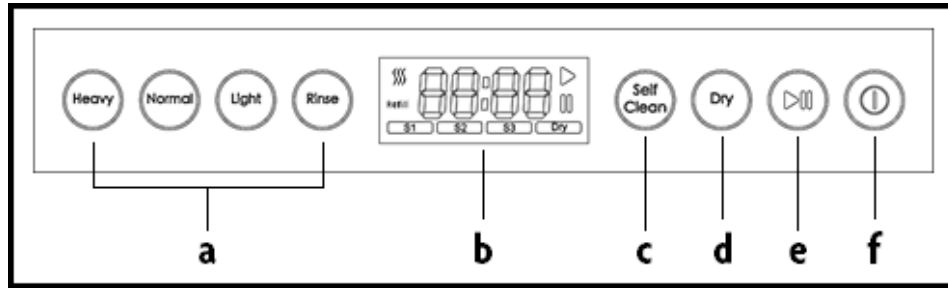


OPERATING INSTRUCTIONS

Control Panel

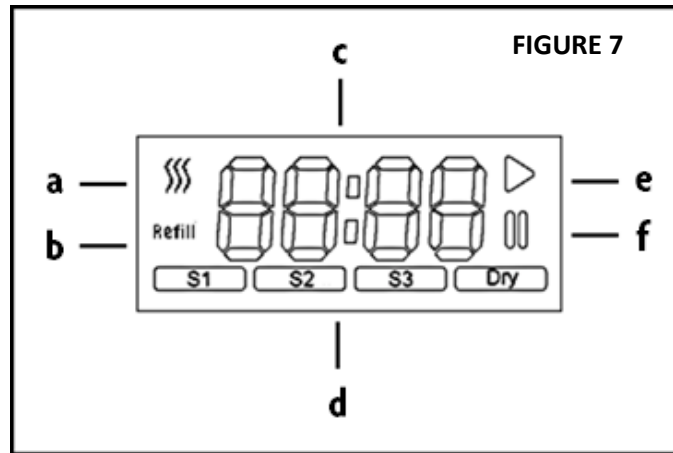
FIGURE 6

- a. Wash Mode
- b. Display
- c. Self-Clean Mode
- d. Dry Mode
- e. Start / Pause
- f. Power (On/Off)



Display

- a. Dry Indicator
- b. Refill Indicator
- c. Time
- d. Progress Indicator
- e. Operation Indicator
- f. Pause Indicator



Power Button: Used to turn the unit on and off. Press the button once with the dishwasher plugged in to turn on the unit. If no other actions are taken for 2 minutes or if the button is pressed again, the dishwasher will turn off and go into Stand-By mode.

Function Selection: When the unit is on, select the program you wish to use with the control panel buttons. Once selected, press (Start/Pause) or do nothing for 10 seconds to begin operation.

Function	Description	Use With
Rinse	Use to wash fruits and vegetables	(5-10g) Baking soda
Heavy	Use for heavily soiled items	(15-20g) Dishwasher Detergent
Normal	Use for normally soiled items	(10-15g) Dishwasher Detergent
Light	Use for lightly soiled items	(5-10g) Dishwasher Detergent
Self-Clean	Use when the dishwasher hasn't been used for a while.	No detergent needed
Dry	Use to dry dishes and inside of unit.	No detergent needed

Pause: While the dishwasher is running, the button can be pressed to pause the operation. The indicator on the display will light up while paused. Press again to resume running the unit.

LOADING THE DISHWASHER

Be sure that the dishwasher is sitting on a surface that will not be affected by the weight of it, close to the sink with the drain hose properly connected and set to drain. The power cord should be able to reach an outlet. Plug in the dishwasher and it will beep and come on in Standby mode with just the Power button lit. Rinse the dishes to be washed to get rid of any leftover food still on them. Open the door and pull out the racks. Load dishes so the soiled side is angled towards the spray arm at the bottom of the unit, and avoid having items touching each other to prevent noises and possible damage during the washing cycle. If necessary, the top rack can be removed to accommodate larger items in the dishwasher by gently lifting the front while pulling it straight out. Cutlery should be placed in the cutlery rack that slides out near the top of the cavity. Be sure that any sharp edges and points are facing down to prevent being injured. **NOTE:** ALWAYS make sure items are dishwasher safe before putting in the unit. Items washed in it that are not dishwasher safe could become damaged, as well as the dishwasher itself.

The official capacity certified by the regulatory body(DOE) is 2 full Place Settings and a full assortment of Serving Pieces with the sliding Top Rack removed and all cutlery and utensils loaded in the Utensil Baskets in the Main Rack. Alternatively, depending on the size of the dishes, 3 Place Settings without the full assortment of Serving Pieces can be loaded, also by removing the Top Rack and loading all pieces into the Main Rack.

FIGURE 8

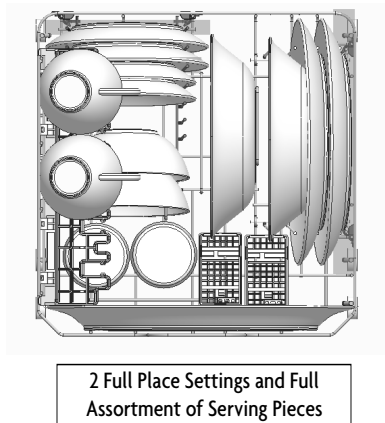
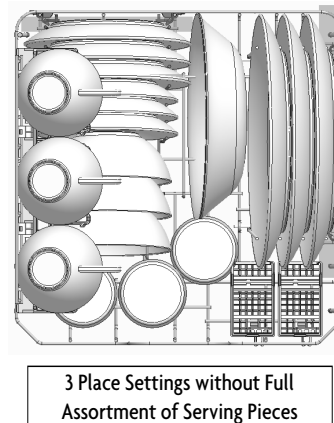


FIGURE 9



WASHING DISHES

Before shutting the door, add detergent to the Detergent Holder. You can use powder, liquid, gel or pods. Press the (Power) button and the unit will come on in Operation Mode. Open the tank lid on the top of the dishwasher and pour in 5000 ml (5 liters) of water into the water tank. The included pitcher is 2000 ml, so it will take 2-1/2 pitchers to fill the reservoir. The refill light will shut off when full. Select the desired function using the Wash Mode buttons, and then push the (Start/Pause) button. If the (Start/Pause) is not pressed, the unit will start the wash cycle automatically after 10 seconds.

NOTE: If no buttons are pressed after the power is turned on, the unit will automatically go back to Standby mode after 2 minutes.

For faster and more efficient drying, open door slightly after washing dishes.

CAUTION: Be careful to avoid steam when door is opened.

Function	Description	Operation Time (min)		Use with
		Cleaning	Drying	
Rinse	Use for washing fruits or vegetables	10	X	5-10g baking soda suggested
Heavy Wash	Use for heavily soiled dishware	120	90	15-20g dishwasher detergent suggested
Normal Wash	Use for general dishware washing	90	90	10-15g dishwasher detergent suggested
Light Wash	Use for lightly soiled dishware	29	90	5-10 g dishwasher detergent suggested
Self Clean	Used when dishwasher hasn't been used for some time.	10	X	No dishwasher detergent required
Dry	Use for drying the dishware and washing chamber.	N/A	150	No dishwasher detergent required

CARE AND MAINTENANCE

Regular inspection and maintenance will help to prevent malfunction. It is recommended to check and maintain the following items.

DOOR AND DOOR SEAL

Clean door gasket with a damp cloth regularly. Never use a steam cleaner to clean the dishwasher. We are not liable for any consequential damage if steam cleaner is used. Regularly wipe the door and control panel with a damp cloth. Do not use sponges or materials with a rough surfaces or abrasive detergents, as these could scratch the surfaces.

FILTER ASSEMBLY

Remove any larger food particles trapped in the filters after each wash cycle by rinsing the filters under running water. Remove the coarse and fine filter from the flat filter by turning the assembly counter-clockwise, and separate them by also turning counter-clockwise. Rinse under running water until any food particles are removed, then reassemble and let dry. There is also a screen filter on the water fill hole under the tank lid that can be twisted counter-clockwise to remove for periodic cleaning under running water. **NOTE:** The entire filter assembly should be cleaned at least once a week.

NOTE: The entire filter assembly should be cleaned at least once.

⚠ WARNING: Never run the dishwasher without the filters in place.

SPRAY ARM

Check if the spray arm has deposits of grease and lime scale. Lime scale, grease and dirt in the rinsing water can block the nozzles or prevent the bearing assemblies of the spray arm from working properly. Check the outlet nozzles on the spray arm regularly. To clean, lift the spray arm upwards to detach from the dishwasher and clean it under running water. Replace in the dishwasher after cleaning and lock the spray arm into position.

If needed, add dishwasher detergent and start the [Heavy wash] mode in an empty chamber.

WASTE WATER PUMP

Larger food remnants which are not filtered out by the filtration system may block the waste water pump. Rinsing water will not be pumped out and result in a blockage. If this happens, turn off the unit and disconnect the appliance from the power supply. Remove all the filters and remnants. Remove any water from inside the dishwasher and check and clean the filters.

CLEANING PRECAUTIONS

1. NEVER use chlorinated household detergents. Doing so can pose a health hazard.
2. ALWAYS unplug the appliance and let it cool down completely before cleaning.
3. Keep the body and door window clean. Do not use harsh abrasive cleaners or sharp metal scrapers to clean the door window as they can scratch the surface, which may result in shattering of the glass.
⚠ CAUTION: DO NOT allow water to penetrate any gaps in the body of the unit or the steam exhaust vent when cleaning the appliance.
4. If the control panel gets wet, wipe it dry with a soft and dry cloth. DO NOT use coarse materials or abrasive cleaners to clean the control panel. When cleaning the control panel, open the door to prevent the appliance from accidentally turning on.
5. DO NOT use poisonous or corrosive detergents to clean the appliance.
6. Dry all parts thoroughly before connecting the dishwasher to an electrical outlet.
7. Allow the appliance to cool down completely and clean it before storing. Place the unit in a box and store in a cool, dry location.
8. DO NOT wrap the power cord tightly around the appliance or put any pressure on the power cord when storage to avoid damaging the power cord.

TROUBLESHOOTING

Error Code	Cause	Solution
E1	The door is open	Make sure door is firmly closed
E3	Water level is too low	Turn the unit off and disconnect from the power supply. Contact customer service for assistance.
E4	Water level is too high, risking overflow	Turn the unit off and disconnect from the power supply. Contact customer service for assistance.
E7	Temperature sensor circuit is open	Turn the unit off and disconnect from the power supply. Contact customer service for assistance.
E8	Temperature sensor circuit is shorted	Turn the unit off and disconnect from the power supply. Contact customer service for assistance.
E9	Failure of water inlet pump or problem with water intake	Turn the unit off and disconnect from the power supply. Contact customer service for assistance.



LIMITED WARRANTY

MC Appliance Corporation warrants each new dishwasher to be free from defects in material and workmanship, and agrees to remedy any such defect or to furnish a new part(s), at the company's option, for any part(s) of the unit that have failed during the warranty period. Parts and labor expenses are covered on this unit for a period of one year from the date of purchase. A copy of the dated sales receipt or invoice is required to receive warranty service by an authorized service agent.

This warranty covers appliances in use within the continental United States, Alaska, Hawaii, and Puerto Rico. This warranty does not cover the following:

- Damages due to shipping damage or improper installation or electrical connections.
- Damages due to misuse or abuse.
- Content losses due to failure of the unit.
- Inside components such as door panels, shelves, racks, etc.
- Repairs performed by unauthorized service agents.
- Service calls that do not involve defects in material and workmanship such as instructions on proper use of the product and door reversal or improper installation.
- Replacement or resetting of house fuses or circuit breakers.
- Failure of this product if used for other purposes than its intended purpose.
- Disposal costs for failed unit not returned to our factory.
- Any delivery/installation costs incurred as the result of a unit that fails to perform as specified.
- Expenses for travel and transportation for product service if your appliance is located in a remote area where service by an authorized service technician is not available.
- The removal and reinstallation of your appliance if it is installed in an inaccessible location or is not installed in accordance with published installation instructions.
- Refunds for non-repairable products are limited to the price paid for the unit per the sales receipt.

Limitations of Remedies and Exclusions:

Product repair in accordance with the terms herein, is your sole and exclusive remedy under this limited warranty. Any and all implied warranties including merchantability and fitness for a particular purpose are hereby limited to one year or the shortest period allowed by law. MC Appliance Corporation is not liable for incidental or consequential damages and no representative or person is authorized to assume for us any other liability in connection with the sale of this product. Under no circumstances is the consumer permitted to return this unit to the factory without the prior written consent of MC Appliance Corporation.

Some states prohibit the exclusion or limitation of incidental or consequential damages, or limitations on implied warranties. This warranty gives you specific legal rights, and you may also have other rights which vary from state to state.

Model	Parts & Labor	Type of Service
MCSCD3W	One Year	Carry-In

For Service or Assistance please call **888-775-0202** or visit us on the web at **www.mcappliance.com** to request warranty service or order parts.

**CNA International, Inc. d/b/a MC appliance Corporation. all rights reserved.
Magic Chef® logo is a registered trademark of CNA International, Inc.**

www.mcappliance.com

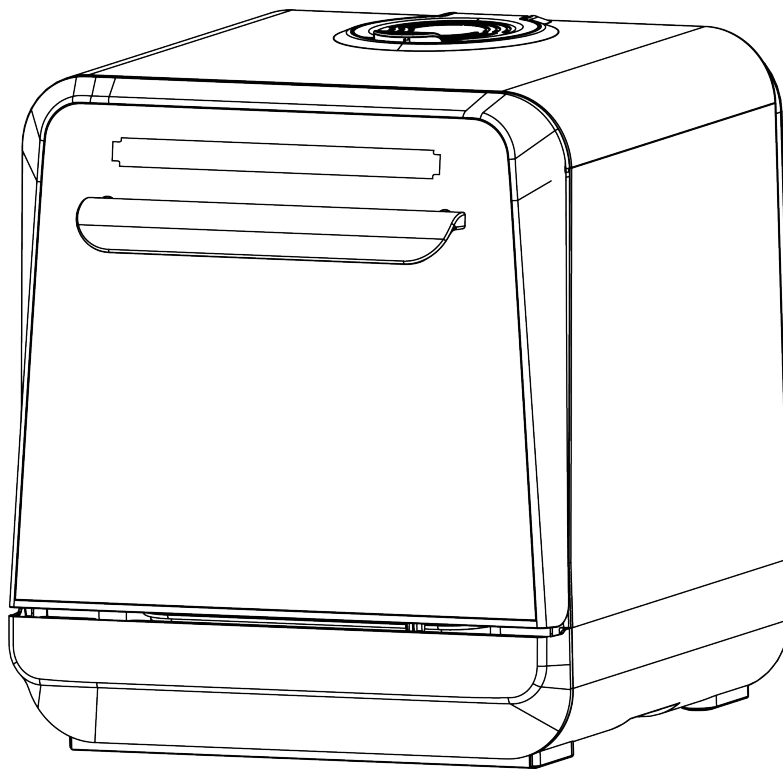
Printed in China



Magic Chef®

Lavavajillas sobre encimera

Manual de usuario



Modelo: MCSCD3W

**POR FAVOR LEA ESTE MANUAL CUIDADOSAMENTE ANTES DE USAR
SU LAVAVAJILLAS Y CONSERVELO PARA FUTURAS REFERENCIAS.**



REGISTRO DEL PRODUCTO

Gracias por comprar un producto Magic Chef®. El primer paso para proteger su nuevo producto es completar el registro del producto en nuestro sitio web: www.mcappliance.com/register. Beneficios de registrar este producto:

1. El registro del producto nos permitirá contactarlo en caso de una notificación de seguridad o actualización del producto.
2. El registro del producto permitirá procesar el servicio de garantía de modo más eficiente si se requiere servicio de garantía.
3. El registro del producto puede servir como comprobante de compra en caso de pérdida del seguro.

Una vez más, gracias por comprar un producto Magic Chef.

ÍNDICE

REGISTRO DEL PRODUCTO.....	14
INSTRUCCIONES DE SEGURIDAD IMPORTANTES.....	16
ESPECIFICACIONES.....	18
PIEZAS Y CARACTERÍSTICAS.....	18
ANTES DE USAR.....	19
INSTRUCCIONES DE FUNCIONAMIENTO.....	20
CUIDADO Y MANTENIMIENTO.....	22
SOLUCIÓN DE PROBLEMAS.....	22
GARANTÍA LIMITADA.....	23

INSTRUCCIONES DE SEGURIDAD IMPORTANTES

Este manual contiene instrucciones de seguridad, instrucciones de instalación y funcionamiento, y consejos para la resolución de problemas. Lea atentamente este manual antes de usar el lavavajillas para obtener instrucciones sobre cómo usar y mantener el producto correctamente. Asegúrese de seguir las instrucciones de seguridad para evitar lesiones personales o dañar el producto.

Guarde este manual. Al transferir o vender el aparato a un tercero, el manual debe entregarse junto con el aparato.

Antes de contactar a servicio técnico, cerciórese de que el equipo haya sido instalado y se esté usando de manera correcta, y lea la sección de solución de problemas.

⚠ ADVERTENCIA: Cuando use su aparato, siga las precauciones que se indican a continuación:

NOTA: Las especificaciones pueden cambiar en cualquier momento sin previo aviso.

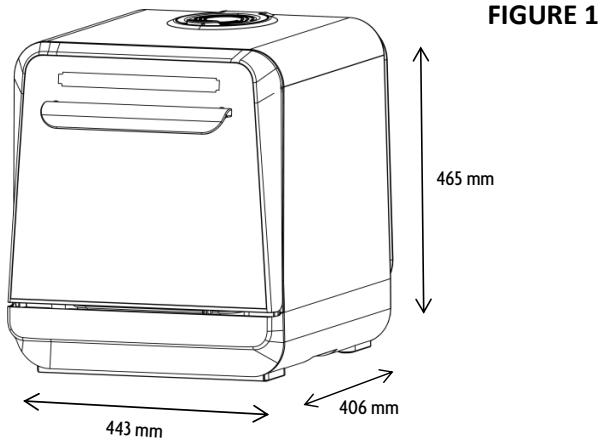
1. Lea todas las instrucciones.
2. Este aparato es solo para uso doméstico. No está diseñado para usos comerciales.
3. Este aparato está diseñado solamente para uso en interiores. NO lo use al aire libre.
4. Usar solo para el fin previsto.
5. NO opere su lavavajillas a menos que todos los paneles de la carcasa estén colocados correctamente.
6. NO manipule el panel de control ni la pantalla.
7. Retire la puerta del compartimiento de lavado cuando ponga fuera de servicio un lavavajillas viejo o lo deseche.
8. El electrodoméstico debe enchufarse a un tomacorriente con conexión a tierra debidamente instalado, con toma a tierra y que cumpla con los requisitos de tensión indicados en la etiqueta de especificaciones.9.
9. SIEMPRE coloque el equipo sobre una superficie nivelada, estable y resistente al calor que pueda soportar adecuadamente el peso del aparato. NO lo utilice sobre alfombras, vinilos, telas, etc. y NO lo mueva mientras se encuentre funcionando.
10. El equipo debe colocarse en un espacio con buena ventilación. Este producto está diseñado para usarse de forma independiente, NO lo coloque dentro de un gabinete. NO cubra ni bloquee la ventilación de escape de vapor para evitar el sobrecalentamiento.
11. Bajo ciertas condiciones, se puede producir hidrógeno gaseoso en un sistema de agua caliente que no se ha utilizado durante dos semanas o más. EL GAS DE HIDRÓGENO ES EXPLOSIVO. Si el sistema de agua caliente no se ha utilizado durante ese período, antes de usar el lavavajillas, abra todos los grifos de agua caliente y deje correr el agua por varios minutos. Esto liberará el gas de hidrógeno acumulado. Como el gas es inflamable, no fume ni use una llama abierta durante este tiempo.
12. INSTRUCCIONES DE CONEXIÓN A TIERRA: este electrodoméstico debe estar conectado a tierra. En caso de mal funcionamiento o avería, la conexión a tierra reducirá el riesgo de descarga eléctrica al proporcionar una ruta de menor resistencia para la corriente eléctrica. Este electrodoméstico viene con un cable que tiene un conductor de conexión a tierra del equipo y un enchufe con conexión a tierra. El enchufe se debe conectar a un tomacorriente apropiado instalado y ser puesto a tierra de acuerdo con todos los códigos y ordenanzas locales.
13. NO coloque ningún objeto encima del aparato y no inserte ningún objeto (como pasadores o cables) en la salida de vapor ni en cualquier abertura del aparato.
14. Coloque el aparato en un lugar bien ventilado y seco, lejos de cualquier tipo de gas corrosivo, fuentes de fuego, altas temperaturas, fuertes campos electromagnéticos, vapor o humedad.
15. Solo llene el tanque de agua con 50°F - 68°F (10°C - 20°C) de agua (ligeramente por debajo de la temperatura ambiente).
16. Use solo detergentes para lavavajillas.
17. Mantenga a los niños alejados de los detergentes. Los detergentes pueden causar quemaduras químicas en la boca, la garganta o los ojos, así como provocar asfixia. Si el detergente entra accidentalmente en los ojos, enjuague de inmediato con agua y busque tratamiento médico de inmediato.
18. NO toque el elemento calentador durante o inmediatamente después de la operación.
19. NO opere el lavavajillas a menos que la puerta esté bien cerrada.
20. NO maltratar, sentarse ni pararse en la puerta, el cuerpo ni las cestas del electrodoméstico. NO haga fuerza sobre la puerta del equipo, pues ello podría hacerlo volcar.
21. NO permita que los niños operen, jueguen ni gateen dentro del aparato.
22. El aparato puede ser utilizado por niños a partir de 8 años y personas con capacidades físicas, sensoriales o mentales reducidas, o falta de experiencia y conocimiento, si están bajo supervisión o han recibido instrucciones sobre el uso de forma segura y entienden los peligros que se corren.
23. NO agregue ningún tipo de solvente al lavavajillas.
24. NO abra la puerta mientras el programa aún esté funcionando. Existe el riesgo de que salga agua caliente del aparato.
25. Tenga cuidado y mantenga a los niños alejados del lavavajillas al abrir la puerta, ya que el agua restante en la cámara de lavado puede contener residuos de detergente.
26. Evite dañar la junta de la puerta del lavavajillas. Hacerlo puede provocar fugas y un posible peligro de descarga.
27. Si la puerta no cierra bien o tiene algún tipo de daño, NO use el aparato. Comuníquese con atención al cliente para obtener asistencia.
28. SIEMPRE apague y desenchufe del tomacorriente cuando no esté en uso y antes de limpiarlo. Deje que el equipo se enfríe antes de limpiarlo, moverlo o darle servicio de mantenimiento.
29. No se recomienda poner cuchillos y objetos afilados en el lavavajillas. Si es necesario, los cuchillos y otros utensilios con puntas afiladas deben colocarse en el cesto de cubiertos apuntando hacia abajo para evitar lesiones cortantes o daños al equipo. NO permita que las puntas o puntas afiladas se extiendan mucho más allá del fondo del cesto para cubiertos.
30. Solo lave los artículos designados como "aptos para lavavajillas».

31. Para evitar lesiones o daños al equipo causados por su vuelco, NO sobrecargue el equipo.
32. NO use el lavavajillas para limpiar o secar artículos que no sean platos, a menos que sea para enjuague las frutas/verduras usando ese ciclo.
33. NO almacene materiales inflamables dentro, sobre ni cerca del aparato.
34. El aparato no está diseñado para funcionar mediante un temporizador externo ni un sistema de control remoto independiente.
35. PRECAUCIÓN: El aparato puede estar muy caliente durante o después de la operación. NO toque hasta que el equipo se haya enfriado para evitar lesiones.
36. NO sumerja el aparato ni el cable de alimentación en agua u otros líquidos. NO enchufe el equipo si el cable de alimentación está mojado o si usted tiene las manos mojadas para evitar lesiones por descargas eléctricas y/o daños al equipo.
37. NO modifique ni corte el cable de alimentación y NO opere ningún aparato que tenga un cable o enchufe dañado; o si el equipo está dañado o funciona mal de alguna manera.
Póngase en contacto con el servicio al cliente o un técnico de servicio.
38. NO deje que el cable cuelgue del borde de la mesa o encimera. SIEMPRE mantenga el cable alejado de superficies u objetos calientes.
39. NO desenchufe el electrodoméstico tirando del cable de alimentación. SIEMPRE agarre el enchufe con firmeza y extraígalo del tomacorriente.
40. NO pase el cable debajo de alfombras, tapetes, alfombras de pasillo ni similares. NO coloque el cable debajo de muebles, aparatos o cualquier objeto pesado. Coloque el cable en un lugar donde no pueda causar tropiezos.
41. SIEMPRE desenchufe el aparato cuando no esté en uso.

LEA Y SIGA CUIDADOSAMENTE ESTA INFORMACIÓN DE SEGURIDAD

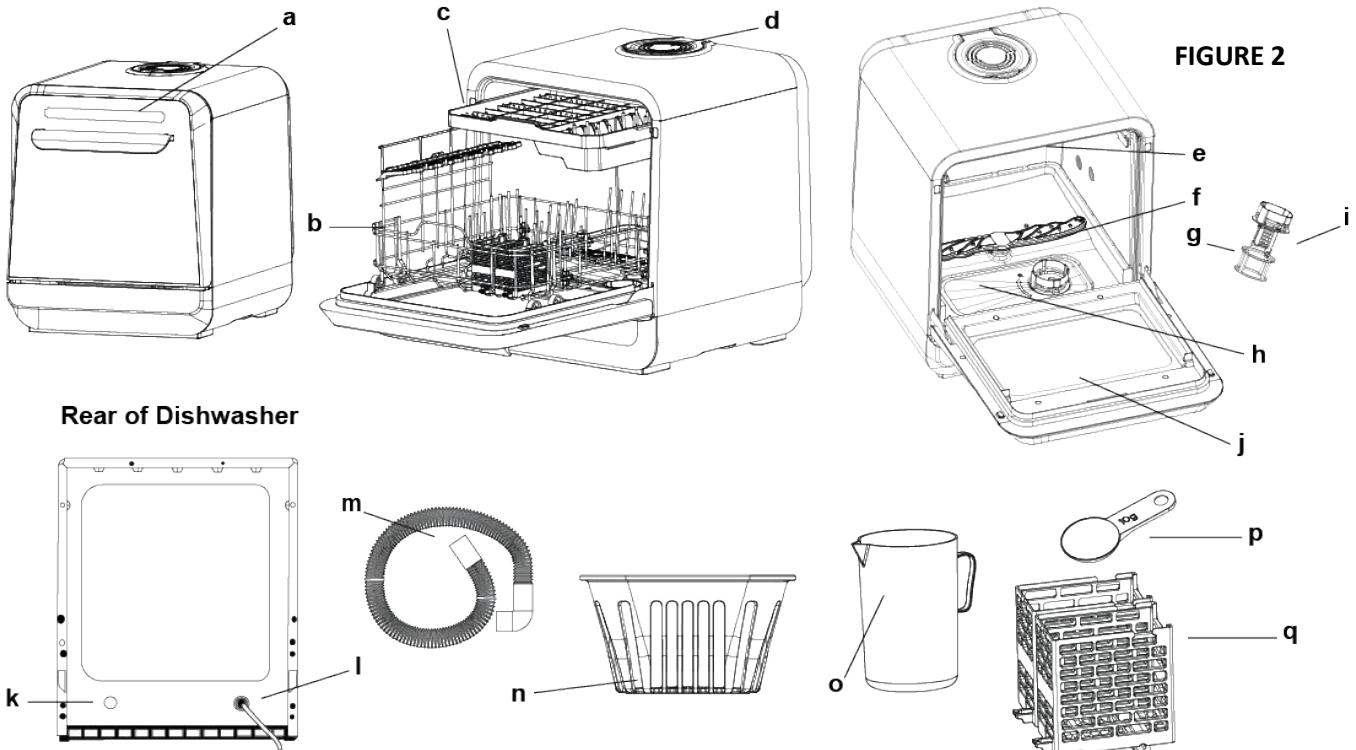
GUARDE ESTAS INSTRUCCIONES

ESPECIFICACIONES



Modelo	MCSCD3W
Tensión nominal	120 V ~ 60 Hz
Potencia nominal	950 W
Capacidad del tanque de agua	5 l/10.6 pt/5.3 qt/20.8 tazas
Peso neto	27.6 lb. (12.5 kg)
Dimensión del producto	17.4" x 16.0" x 18.3» (443 x 406 x 465 mm)

PIEZAS Y CARACTERÍSTICAS



Rear of Dishwasher

- a. Zona de pantalla/Panel de control
- b. Cesto plegable
- c. Cesto superior extraíble
- d. Tapa del tanque/ventilación de escape de vapor
- e. Brazo aspersor superior

- f. Brazo aspersor inferior
- g. Microfiltro
- h. Filtro plano
- i. Filtro grueso
- j. Receptáculo de detergente

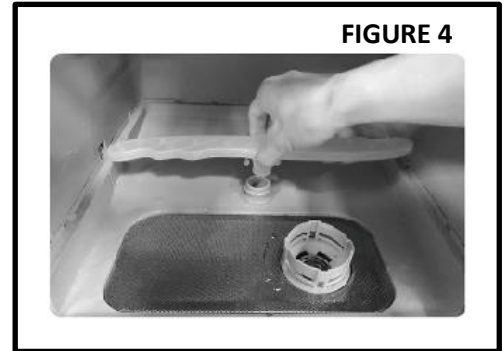
- k. Salida de agua
- l. Cable de alimentación
- m. Manguera de drenaje de agua
- n. Cesta de lavado de frutas/verduras

- o. Jarra de agua
- p. Cucharada de detergente
- q. Cesto para cubiertos extraíble

ANTES DE USAR

Retire todos los materiales de embalaje del aparato. Si hay una película protectora de plástico en la puerta o en el panel de control, asegúrese de quitarla. Examine todo el equipo en busca de daños y verifique que todas las piezas y accesorios estén presentes. Enjuague el brazo aspersor, las cestas y los filtros (fino, grueso y micro) con agua y limpie el equipo con un paño suave y seco. Coloque el lavavajillas sobre una superficie plana y nivelada, lo suficientemente resistente como para soportar el equipo y lo suficientemente cerca del fregadero y de un tomacorriente para hacer llegar el cable de alimentación y la manguera de drenaje.

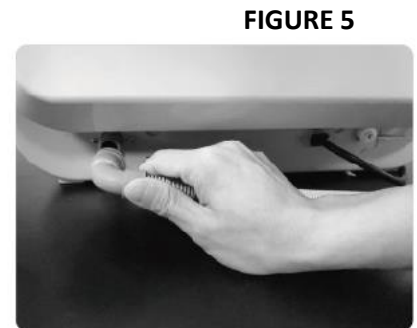
Instale el filtro plano fino y el filtro cilíndrico en la parte inferior dentro del lavavajillas (el filtro cilíndrico está compuesto por un filtro grueso y un microfiltro, que se pueden separar girando en sentido antihorario). Gire el filtro del cilindro en sentido horario para fijarlo en su sitio. (Fig. 3) Fije el brazo aspersor al lavavajillas empujándolo con firmeza hasta que escuche un clic. Verifique que esté fijo y pueda girar libremente. (Fig. 4)



Coloque el cesto plegable y el cesto superior, o el cesto de lavado de frutas/verduras, en el lavavajillas, y conecte la manguera de drenaje suministrada a la conexión de salida de agua en la parte posterior del aparato. SIEMPRE asegúrese de empujar la manguera de drenaje en su lugar correctamente y que la conexión esté fija (Fig. 5). Coloque la manguera de drenaje en el fregadero y sujételo con la ventosa. La manguera de drenaje debe mantenerse hacia abajo. Si la manguera apunta hacia arriba, la altura máxima aceptable es de 6" (15 cm) desde la parte inferior del lavavajillas.

Asegúrese de mantener limpio el fregadero y no sumerja la manguera de drenaje en agua para evitar el retorno de las aguas residuales.

NOTA: Puede haber algo de humedad residual en el equipo debido a las pruebas de fábrica para garantizar su correcto funcionamiento. Si este es el caso, seque el interior con un paño suave.

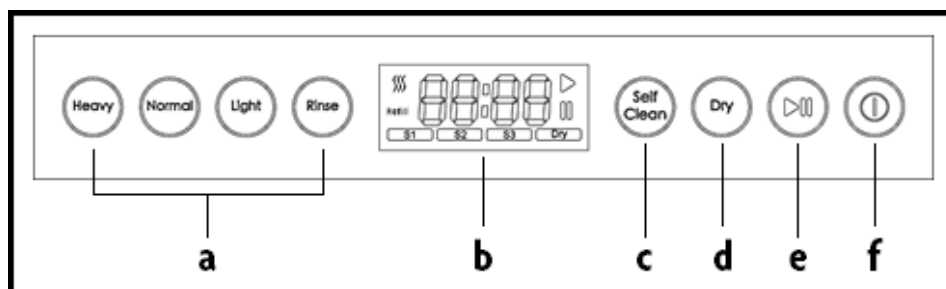


INSTRUCCIONES DE FUNCIONAMIENTO

FIGURE 6

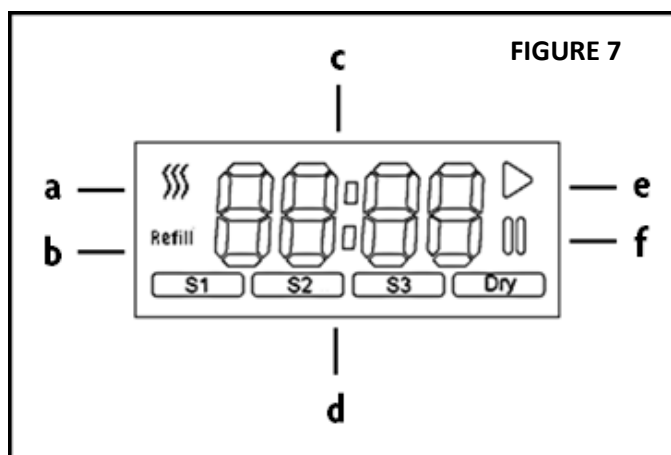
Panel de control

- a. Modo de lavado
- b. Pantalla
- c. Modo de autolimpieza
- d. Modo secado
- e. Iniciar/pausa
- f. Encendido/Apagado



Pantalla

- a. Indicador de secado
- b. Indicador de recarga
- c. Tiempo
- d. Indicador de progreso
- e. Indicador de operación
- f. Indicador de pausa



BOTÓN POWER (ENCENDIDO): Se utiliza para encender y apagar el equipo. Presione el botón una vez con el lavavajillas enchufado para encender el equipo. Si no se hace nada más durante 2 minutos o si se vuelve a presionar el botón, el lavavajillas se apagará y pasará al modo de espera.

Selección de funciones: Cuando el equipo está encendido, seleccione el programa que desea usar con los botones del panel de control. Una vez seleccionado, presione (Inicio/Pausa) o no haga nada durante 10 segundos para comenzar la operación.

Función	Descripción	Usar con
Enjuague	Use para lavar frutas y verduras	Bicarbonato de sodio (5-10 g)
Intensivo	Para artículos muy sucios	Detergente para lavavajillas (15-20 g)
Normal	Para artículos con suciedad normal	Detergente para lavavajillas (10-15 g)
Ligero	Para artículos ligeramente sucios	Detergente para lavavajillas (5-10 g)
Autolimpieza	Se aplica cuando el lavavajillas no se ha utilizado durante un tiempo.	No se necesita detergente
Secado	Para secar los platos y el interior del equipo.	No se necesita detergente

Pausa: Mientras el lavavajillas está funcionando, se puede presionar el botón para pausar la operación. El indicador en la pantalla se iluminará mientras está en pausa. Presione nuevamente para reanudar el funcionamiento del equipo.

CARGA DEL LAVAVAJILLAS

Asegúrese de que el lavavajillas se encuentre sobre una superficie que no se verá afectada por su peso, cerca del fregadero con la manguera de drenaje conectada correctamente y configurada para drenar. El cable de alimentación debe poder alcanzar un tomacorriente. Enchufe el lavavajillas y emitirá un pitido, luego se encenderá en modo de espera con el botón Encendido iluminado.

Enjuague los platos a lavar para deshacerse de los restos de comida que aún les quedan. Abra la puerta y saque los cestos. Cargue los platos de manera que el lado sucio esté en ángulo hacia el brazo aspersor en la parte inferior de el equipo, y evite que los artículos se toquen entre sí para evitar ruidos y posibles daños durante el ciclo de lavado. Si es necesario, el cesto superior se puede quitar para acomodar artículos más grandes en el lavavajillas.

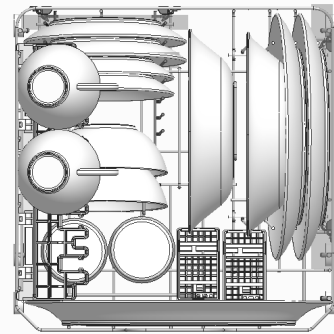
Los cubiertos deben colocarse en la bandeja de cubiertos que se desliza hacia afuera cerca de la parte superior de la cavidad. Asegúrese de que los bordes afilados y las puntas estén hacia abajo para evitar lesiones por levante suavemente el frente mientras lo jala hacia afuera.

⚠ NOTA: SIEMPRE asegúrese de que los artículos sean aptos para lavavajillas antes de colocarlos en el equipo. Los artículos lavados que no son aptos para lavavajillas podrían dañarse y también podría dañarse el propio lavavajillas.

La capacidad oficial certificada por el regulador (DOE) es 2 ajustes de lugar completo y una variedad completa de piezas de servicio con el bastidor superior deslizante eliminado y todos los cubiertos y utensilios cargados en las cestas de utensilios en el bastidor principal.

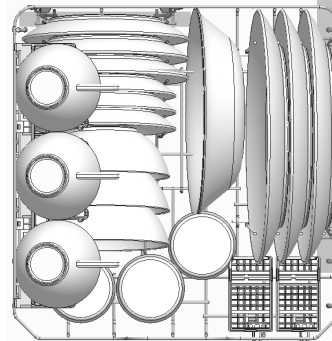
Alternativamente, dependiendo del tamaño de los platos, se pueden cargar 3 Ajustes de Lugar sin la variedad completa de Piezas de Servicio, también quitando el Bastidor Superior y cargando todas las piezas en el Bastidor Principal.

FIGURE 8



2 configuraciones completas de lugar y surtido completo de piezas para servir

FIGURE 9



3 configuraciones de lugar sin una variedad completa de piezas para servir

LAVADO DE PLATOS

Antes de cerrar la puerta, agregue detergente en el receptáculo para detergente. Puede usar polvo, líquido, gel o cápsulas. Presione el botón **Ⓢ** (Encendido) y el equipo se encenderá en modo de operación. Abra la tapa del tanque en la parte superior del lavavajillas y vierta 5000 ml (5 litros) de agua en el tanque. La jarra incluida tiene capacidad para 2000 ml, por lo que se necesitarán 2 1/2 jarras para llenar el depósito. La luz de recarga se apagará cuando esté llena.

Seleccione la función deseada con los botones del Modo de lavado y luego presione el botón **▶|** (Inicio/Pausa). Si no presiona **▶|**, el equipo comenzará el ciclo de lavado automáticamente después de 10 segundos.

⚠ NOTA: Si no se presiona ningún botón después del encendido, el equipo volverá automáticamente al modo de espera después de 2 minutos.

Para un secado más rápido y eficiente, abra la puerta ligeramente después de lavar los platos.

⚠ PRECAUCIÓN: Tenga cuidado de evitar el vapor cuando se abre la puerta.

Función	Descripción	Tiempo de operación (min)		Usar con
		Limpieza	Secado	
Enjuague	Para lavar frutas o verduras	10	X	Se recomienda 5-10 g de bicarbonato de sodio
Lavado intensivo	Para vajilla muy sucia	120	90	Se recomiendan 15-20 g de detergente para lavavajillas
Lavado normal	Para lavado general de vajilla	90	90	Se recomiendan 10-15 g de detergente para lavavajillas
Lavado ligero	Para vajilla ligeramente sucia	29	90	Se recomiendan 5-10 g de detergente para lavavajillas
Autolimpieza	Se aplica cuando el lavavajillas no se ha utilizado durante algún tiempo.	10	X	No se requiere detergente para lavavajillas
Secado	Para secar la vajilla y la cámara de lavado.	N/A	150	No se requiere detergente para lavavajillas

CUIDADO Y MANTENIMIENTO

La inspección y el mantenimiento regulares ayudarán a prevenir el mal funcionamiento. Se recomienda revisar y dar mantenimiento a lo siguiente:

PUERTA Y SELLO DE LA PUERTA

Limpie con regularidad la junta de la puerta con un paño húmedo. Nunca use un limpiador a vapor para limpiar el lavavajillas. No somos responsables de ningún daño resultante del uso de un limpiador a vapor. Limpie con regularidad la puerta y el panel de control con un paño húmedo. No use esponjas o materiales con superficies ásperas ni detergentes abrasivos, ya que podrían rayar las superficies.

CONJUNTO DE FILTRO

Elimine las partículas de comida más grandes atrapadas en los filtros después de cada ciclo de lavado enjuagando los filtros con agua corriente. Retire los filtros grueso y fino del filtro plano girando el conjunto en sentido antihorario, y sepárelos también girando en sentido antihorario. Enjuague con agua corriente hasta que se eliminen las partículas de alimentos, luego vuelva a armar y deje secar. También hay un filtro de pantalla en el orificio de llenado de agua debajo de la tapa del tanque que se puede girar en sentido antihorario para quitarlo y limpiarlo periódicamente con agua corriente.

NOTA: Todo el conjunto del filtro debe limpiarse al menos una vez por semana.

⚠ ADVERTENCIA: Nunca haga funcionar el lavavajillas si los filtros no están en su lugar.

BRAZO ASPERSOR

Verifique si el brazo aspersor tiene depósitos de grasa o incrustaciones calcáreas. Las incrustaciones calcáreas, la grasa y la suciedad en el agua de enjuague pueden bloquear las boquillas o impedir el buen funcionamiento de los conjuntos de cojinetes del brazo aspersor. Revise con regularidad las boquillas de salida en el brazo aspersor. Para limpiar, levante el brazo aspersor para separarlo del lavavajillas y límpielo con agua corriente. Vuelva a colocar en el lavavajillas después de limpiar y encaje el brazo aspersor en su posición.

Si es necesario, agregue detergente para lavavajillas y comience el modo [Lavado fuerte] en una cámara vacía.

BOMBA DE AGUA RESIDUAL

Los restos de alimentos más grandes que no son filtrados por el sistema de filtración pueden bloquear la bomba de agua residual. La bomba no enviará el agua de enjuague y provocará un bloqueo. Si esto sucede, apague el equipo y desconecte el aparato de la fuente de alimentación. Quite todos los filtros y restos. Quite el agua del interior del lavavajillas, luego verifique y limpie los filtros.

PRECAUCIONES DE LIMPIEZA

1. NUNCA use detergentes domésticos clorados. Hacerlo puede presentar un peligro para la salud.
2. SIEMPRE desenchufe el aparato y déjelo enfriar por completo antes de limpiarlo.
3. Mantenga limpios el cuerpo y la ventana de la puerta. No use limpiadores abrasivos fuertes ni raspadores metálicos afilados para limpiar la ventana de la puerta, ya que pueden rayar la superficie y quebrar el vidrio.
⚠ PRECAUCIÓN: NO permita que el agua penetre en los espacios en el cuerpo del equipo ni en la ventilación de escape de vapor cuando limpie el aparato.
4. Si el panel de control se moja, séquelo con un paño suave y seco. NO use materiales ni limpiadores abrasivos para limpiar el panel de control. Al limpiar el panel de control, abra la puerta para evitar que el aparato se encienda accidentalmente.
5. NO use detergentes venenosos ni corrosivos para limpiar el aparato.
6. Seque bien todas las piezas antes de conectar el lavavajillas al tomacorriente.
7. Deje que el aparato se enfríe por completo y límpielo antes de guardarlo. Coloque el equipo en una caja y guárdelo en un lugar fresco y seco.
8. NO enrolle con firmeza el cable de alimentación alrededor del aparato ni lo presione durante el almacenamiento para evitar dañarlo.

SOLUCIÓN DE PROBLEMAS

Código de error	Causa	Solución
E1	La puerta está abierta	Círrrela bien
E3	Nivel de agua demasiado bajo	Apague el equipo y desconéctelo de la fuente de alimentación. Comuníquese con atención al cliente para obtener asistencia.
E4	Nivel de agua demasiado alto, con riesgo de desbordamiento	Apague el equipo y desconéctelo de la fuente de alimentación. Comuníquese con atención al cliente para obtener asistencia.
E7	Circuito del sensor de temperatura abierto	Apague el equipo y desconéctelo de la fuente de alimentación. Comuníquese con atención al cliente para obtener asistencia.
ES	Circuito del sensor de temperatura en cortocircuito	Apague el equipo y desconéctelo de la fuente de alimentación. Comuníquese con atención al cliente para obtener asistencia.
E9	Fallo de la bomba de entrada de agua o problema con la admisión de agua	Apague el equipo y desconéctelo de la fuente de alimentación. Comuníquese con atención al cliente para obtener asistencia.



GARANTÍA LIMITADA

MC Appliance Corporation garantiza que cada lavavajilla nuevo carece de defectos en los materiales y mano de obra, y acuerda remediar dichos defectos o proporcionar una o más partes nuevas, a opción de la compañía, para cualquier parte del equipo que falle durante el período de garantía. Los gastos de piezas y mano de obra están cubiertos en este equipo por un período de un año a partir de la fecha de compra. Para recibir el servicio de garantía por parte de un agente de servicio autorizado, es necesario presentar una copia del recibo o de la factura de venta con fecha.

Esta garantía cubre los electrodomésticos en uso dentro de los Estados Unidos continental, Alaska, Hawaii y Puerto Rico. Esta garantía no cubre lo siguiente:

- Daños causados durante el envío o instalación o conexiones eléctricas inadecuadas.
- Daños por mal uso o abuso.
- Pérdidas de contenido por fallas del equipo.
- Componentes internos como paneles de puertas, estantes, cestos, etc.
- Reparaciones realizadas por agentes de servicio no autorizados.
- Llamadas al servicio técnico que no impliquen defectos de materiales ni mano de obra, tales como instrucciones sobre el uso adecuado del producto o la inversión de la puerta o la instalación incorrecta.
- Reemplazo o reinicio de fusibles o interruptores de la vivienda.
- Fallo de este producto si se usa para otros fines que no sean los previstos.
- Costos de eliminación de equipo averiado no devuelto a nuestra fábrica.
- Cualquier costo de entrega/instalación incurrido como resultado de un equipo que no funciona como se especifica.
- Gastos de viaje y transporte para el servicio del producto si su electrodoméstico se encuentra en un lugar remota donde el servicio de un técnico de servicio autorizado no está disponible.
- La extracción y reinstalación del electrodoméstico si está instalado en una ubicación inaccesible o no está instalado de acuerdo con las instrucciones publicadas.
- Los reembolsos por productos no reparables se limitan al precio pagado por el equipo según el recibo de compra.

Limitaciones a remedios y exclusiones:

La reparación del producto de acuerdo con los términos aquí indicados es el único y exclusivo remedio bajo esta garantía limitada. Cualquiera y todas las garantías implícitas, incluyendo la comerciabilidad y la idoneidad para un propósito particular se limitan por la presente a un año o al período más corto permitido por la ley. MC Appliance Corporation no es responsable por daños incidentales o consecuentes y ningún representante o persona está autorizada para asumir por nuestra parte, ninguna otra responsabilidad con relación a la venta de este producto. Bajo ninguna circunstancia se le permite al consumidor devolver este equipo a la fábrica sin la autorización previa por escrito suministrada por MC Appliance Corporation.

Algunos estados prohíben la exclusión o limitación de los daños incidentales o consecuentes, o limitaciones en las garantías implícitas. Esta garantía le otorga derechos legales específicos, y usted podría tener otros derechos que varían según el estado.

Modelo	Piezas y mano de obra	Tipo de servicio
MCSCD3W	Un año	Llevar

Para Servicio o Asistencia por favor llame al 888-775-0202 o visítenos en el sitio web en www.mcappliance.com para solicitar servicio de garantía u ordenar partes.

CNA International, Inc., opera bajo el nombre comercial de MC Appliance Corporation. Todos los derechos reservados.

El logotipo de Magic Chef® es una marca registrada de CNA International, Inc.

www.mcappliance.com

Impreso China