

Job Name: _____
 Purchaser: _____
 Submitted To: _____
 Construction: _____
 Reference: _____

Approval: _____
 Date: _____
 Submitted By: _____
 Unit: _____
 Drawing #: _____

**Model:
UACT32A**



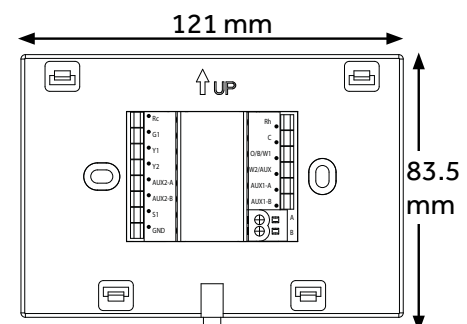
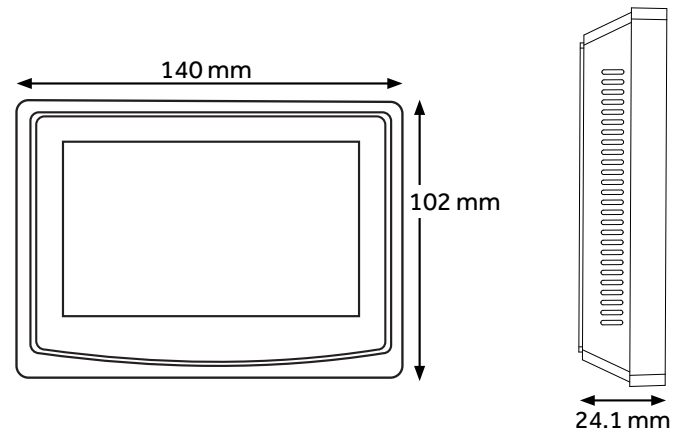
Features

- On/OFF
- Precise Temperature Control
- Turbo
- Quiet
- Airflow Direction - Up/Down
- Airflow Direction - Left/Right
- 500 hr Filter Change Reminder
- Error Code Reporting/ Recording
- Control Lock
- Fahrenheit/Celsius Display
- Temperature Compensation
- Static Pressure Setting

Specifications

	Power Supply	24VAC*
	Screen Saving	Yes
	Backlight	Yes
	Max. IDUs Controllable	31 + (1) 24VAC Central Zone
	Indoor/Set-Point Temperature Display	Yes
	Interlock Input	Yes
	Interlock Output Dry Contact	Yes
Ductless/VRF Zone	Temperature Set Range	60-86°F (16-30°C)
	Zones	Up to 31 Zones
	Modes	Cool, Heat, Auto, Dry, Fan
	Fan Speeds	Low, Med, High
	Group Control	Yes
	Individual IDU Control	Yes
Central Zone	Dual System Rotational Operation	Yes
	Temperature Set Range	40-99°F (5-37°C)
	Humidity	Display in %
	Mode	Cool, Heat, Auto
	Fan Speed	Auto, Circulating, On
	WiFi/Alexa/Google Home	Yes

*if not connecting to 24V central HVAC system, a field supplied 24VAC transformer is needed.



Compatibility

- All **R454B Haier** Mini and Multi-split systems
- All **R454B GE** Mini and Multi-split systems
- All **R410A Haier** Multi-split systems
- All **R410A GE** Multi-split systems

Notes:

1. For **R410A mini-split systems**, there are no **C1** and **C2** terminals on the outdoor unit terminal block. However, the R410A indoor models can still be connected to the 5" controller using the **YCJ-A002 adapter**. Please refer to the YCJ-A002 adapter installation manual for details.

2. The 5" controller can be connected to multiple outdoor units, provided they are of the **same type** - either all multi-zone or all single-zone. **Do not mix** single-zone and multi-zone outdoor units on the same 5" controller, as this will result in unclear IP addressing. For such applications, please contact the GE Appliances' HVAC Tech Support team before proceeding with field installation.

System Configuration

The following outdoor units have C1 (P) and C2 (Q) terminals in the service monitoring board, please use RS-485 communication compliant 16 AWG wire. If the controller is connected to the outdoor unit, it will automatically detect all the indoor units connected to the corresponding outdoor unit.

GE Appliances

Model #	Description
1G09CB1BEA	CALIBER SERIES HEAT PUMP 09K 115V
1G12CB1BEA	CALIBER SERIES HEAT PUMP 12K 115V
1G09CB2BEA	CALIBER SERIES HEAT PUMP 09K 230V
1G12CB2BEA	CALIBER SERIES HEAT PUMP 12K 230V
1G18CB2BEA	CALIBER SERIES HEAT PUMP 18K 230V
1G24CB2BEA	CALIBER SERIES HEAT PUMP 24K 230V
1G09AD2BEA	ALTITUDE SERIES HEAT PUMP 09K
1G12AD2BEA	ALTITUDE SERIES HEAT PUMP 12K
1G15AD2BEA	ALTITUDE SERIES HEAT PUMP 15K
1G18AD2BEA	ALTITUDE SERIES HEAT PUMP 18K
1G24AD2BEA	ALTITUDE SERIES HEAT PUMP 24K
1G3036AD2BEA	ALTITUDE SERIES HEAT PUMP 30/36K
1G09ED2BEA	ENDURE SERIES HEAT PUMP 09K
1G12ED2BEA	ENDURE SERIES HEAT PUMP 12K
1G18ED2BEA	ENDURE SERIES HEAT PUMP 18K
1G24ED2BEA	ENDURE SERIES HEAT PUMP 24K
1G3036ED2BEA	ENDURE SERIES HEAT PUMP 30/36K
ASH124UCDDA	ENDURE SERIES HEAT PUMP 24K
ASH3036UCDDA	ENDURE SERIES HEAT PUMP 30/36K
ASH4248UCDDA	ENDURE SERIES HEAT PUMP 42/48K
2G20ED2BEA	ENDURE MULTI SERIES HEAT PUMP 20K
3G24ED2BEA	ENDURE MULTI SERIES HEAT PUMP 24K
4G36ED2BEA	ENDURE MULTI SERIES HEAT PUMP 36K
5G42ED2BEA	ENDURE MULTI SERIES HEAT PUMP 42K
ASH220NCDDA	ENDURE NG MULTI SERIES HEAT PUMP 20K
ASH324NCDDA	ENDURE NG MULTI SERIES HEAT PUMP 24K
ASH436NCDDA	ENDURE NG MULTI SERIES HEAT PUMP 36K
2G18AD2BEA	ALTITUDE MULTI SERIES HEAT PUMP 18K
3G24AD2BEA	ALTITUDE MULTI SERIES HEAT PUMP 24K
4G36AD2BEA	ALTITUDE MULTI SERIES HEAT PUMP 36K
ASH218JCDDA	MULTILINK NG MULTI SERIES HEAT PUMP 18K
ASH324JCDDA	MULTILINK NG MULTI SERIES HEAT PUMP 24K
ASH436JCDDA	MULTILINK NG MULTI SERIES HEAT PUMP 36K
ASH542JCDDA	MULTILINK NG MULTI SERIES HEAT PUMP 42K

Haier

Model #	Description
1Q09TE1BEA	TEMPO SERIES HEAT PUMP 09K 115V
1Q12TE1BEA	TEMPO SERIES HEAT PUMP 12K 115V
1Q09TE2BEA	TEMPO SERIES HEAT PUMP 09K 230V
1Q12TE2BEA	TEMPO SERIES HEAT PUMP 12K 230V
1Q18TE2BEA	TEMPO SERIES HEAT PUMP 18K 230V
1Q24TE2BEA	TEMPO SERIES HEAT PUMP 24K 230V
1Q09FF2BEA	FLEXFIT SERIES HEAT PUMP 09K
1Q12FF2BEA	FLEXFIT SERIES HEAT PUMP 12K
1Q15FF2BEA	FLEXFIT SERIES HEAT PUMP 15K
1Q18FF2BEA	FLEXFIT SERIES HEAT PUMP 18K
1Q24FF2BEA	FLEXFIT SERIES HEAT PUMP 24K
1Q3036FF2BEA	FLEXFIT SERIES HEAT PUMP 30/36K
1Q09RT2BEA	ARCTIC SERIES HEAT PUMP 09K
1Q12RT2BEA	ARCTIC SERIES HEAT PUMP 12K
1Q18RT2BEA	ARCTIC SERIES HEAT PUMP 18K
1Q24RT2BEA	ARCTIC SERIES HEAT PUMP 24K
1Q3036RT2BEA	ARCTIC SERIES HEAT PUMP 30/36K
1U24LP2HDA	ARCTIC PRO SERIES HEAT PUMP 24K
1U3036LP2HDA	ARCTIC PRO SERIES HEAT PUMP 30/36K
1U4248LP2HDA	ARCTIC PRO SERIES HEAT PUMP 42/48K
2Q20RT2BEA	ARCTIC SERIES MULTI HEAT PUMP 20K
3Q24RT2BEA	ARCTIC SERIES MULTI HEAT PUMP 24K
4Q36RT2BEA	ARCTIC SERIES MULTI HEAT PUMP 36K
5Q42RT2BEA	ARCTIC SERIES MULTI HEAT PUMP 42K
2U20EH2HDA	ARCTIC NG MULTI SERIES HEAT PUMP 20K
3U24EH2HDA	ARCTIC NG MULTI SERIES HEAT PUMP 24K
4U36EH2HDA	ARCTIC NG MULTI SERIES HEAT PUMP 36K
2Q18FF2BEA	FLEXFIT SERIES MULTI HEAT PUMP 18K
3Q24FF2BEA	FLEXFIT SERIES MULTI HEAT PUMP 24K
4Q36FF2BEA	FLEXFIT SERIES MULTI HEAT PUMP 36K
2U18MS2HDA	FLEXFIT NG MULTI SERIES HEAT PUMP 18K
3U24MS2HDA	FLEXFIT NG MULTI SERIES HEAT PUMP 24K
4U36MS2HDA	FLEXFIT NG MULTI SERIES HEAT PUMP 36K
5U42MS2HDA	FLEXFIT NG MULTI SERIES HEAT PUMP 42K

NOTE: If installing on a system with no C1 (P) and C2 (Q) terminal at the outdoor unit, connect the controller to adapter YCJ-A002 first, and then connect YCJ-A002 to the CN36 connection on the indoor PCB. Please refer to the installation manual of the YCJ-A002 adapter.

The following indoor units have a CN36 connection on the indoor PCB that requires the use of the YCJ-A002 within 15ft/4.5m of the indoor unit to connect the UACT32A.

GE Appliances

Model #	Description
ASYW09PRDWB	ALTITUDE SERIES HIGHWALL 09K
ASYW12PRDWB	ALTITUDE SERIES HIGHWALL 12K
ASYW15PRDWB	ALTITUDE SERIES HIGHWALL 15K
ASYW18PRDWB	ALTITUDE SERIES HIGHWALL 18K
ASYW24PRDWB	ALTITUDE SERIES HIGHWALL 24K
ASYW09PRDBB	ALTITUDE SERIES HIGHWALL 09K
ASYW12PRDBB	ALTITUDE SERIES HIGHWALL 12K
ASYW15PRDBB	ALTITUDE SERIES HIGHWALL 15K
ASYW18PRDBB	ALTITUDE SERIES HIGHWALL 18K
ASYW24PRDBB	ALTITUDE SERIES HIGHWALL 24K
ASYW07CRDDA	HIGHWALL 07K 230V
ASYW09CRDDA	HIGHWALL 09K 230V
ASYW12CRDDA	HIGHWALL 12K 230V
ASYW18CRDDA	HIGHWALL 18K 230V
ASYW24CRDDA	HIGHWALL 24K 230V
ASYW24TRDFA	HIGHWALL 24K 230V
ASYW30TRDFA	HIGHWALL 30K 230V
ASYW36TRDFA	HIGHWALL 36K 230V
ASYW09URDEB	ENDURE SERIES HIGHWALL 09K
ASYW12URDEB	ENDURE SERIES HIGHWALL 12K
ASYW18URDEB	ENDURE SERIES HIGHWALL 18K

Haier

Model #	Description
AW09ES2VHB	ADVANCED PLUS SERIES HIGHWALL 09K
AW12ES2VHB	ADVANCED PLUS SERIES HIGHWALL 12K
AW15ES2VHB	ADVANCED PLUS SERIES HIGHWALL 15K
AW18ES2VHB	ADVANCED PLUS SERIES HIGHWALL 18K
AW24ES2VHB	ADVANCED PLUS SERIES HIGHWALL 24K
AW09AP2HDB	ADVANCED PLUS SERIES HIGHWALL 09K
AW12AP2HDB	ADVANCED PLUS SERIES HIGHWALL 12K
AW15AP2HDB	ADVANCED PLUS SERIES HIGHWALL 15K
AW18AP2HDB	ADVANCED PLUS SERIES HIGHWALL 18K
AW24AP2HDB	ADVANCED PLUS SERIES HIGHWALL 24K
AW07TC2HDA	HIGHWALL 07K 230V
AW09TC2HDA	HIGHWALL 09K 230V
AW12TC2HDA	HIGHWALL 12K 230V
AW18TC2HDA	HIGHWALL 18K 230V
AW24TC2HDA	HIGHWALL 24K 230V
AW24TL2HFA	HIGHWALL 24K 230V
AW30TL2HFA	HIGHWALL 30K 230V
AW36TL2HFA	HIGHWALL 36K 230V
AW09EH2HEB	FLEXFIT SERIES HIGHWALL 09K
AW12EH2HEB	FLEXFIT SERIES HIGHWALL 12K
AW18EH2HEB	FLEXFIT SERIES HIGHWALL 18K