



Profile

OPAL SIDE TANK

SAFETY INFORMATION3

PARTS INCLUDED5

GETTING STARTED5

SIDE TANK ACCESSORY6

TROUBLESHOOTING.....9

LIMITED WARRANTY 11

CONSUMER SUPPORT12

OWNER'S MANUAL

P4AAKASBRTD
P4AAKASSRSS

**ENGLISH/FRANÇAIS/
ESPAÑOL**

Write the model and serial numbers here:

Model # _____

Serial # _____

Find these numbers on a label
on the back of the unit.



THANK YOU FOR MAKING GE APPLIANCES A PART OF YOUR HOME.

Whether you grew up with GE Appliances, or this is your first, we're happy to have you in the family.

We take pride in the craftsmanship, innovation and design that goes into every GE Appliances product, and we think you will too. Among other things, registration of your appliance ensures that we can deliver important product information and warranty details when you need them.

The Good Ice™

IMPORTANT SAFETY INFORMATION

READ ALL INSTRUCTIONS BEFORE USING THE APPLIANCE

⚠ WARNING To reduce the risk of fire, explosion, electric shock, exposure to UV radiation, or injury when using your Opal, follow these basic safety precautions.

- Do not, under any circumstances, alter or remove the third (ground) prong from the power cord. For personal safety, this product must be properly grounded.
- Do not exceed power outlet ratings. It is recommended that the ice maker is connected to its own circuit. Use only a 115 V, 60 Hz standard electrical supply that is properly grounded in accordance with the National Electric Code and local codes and ordinances.
- Due to potential safety hazards under certain conditions, we strongly advise against the use of an extension cord. However, if you must use an extension cord, it is absolutely necessary that it is a UL-listed, 3-wire ground type appliance extension cord having a grounding type plug and that the electrical rating of the cord be 15 Amperes (minimum) and 120 Volts.
- This product must be properly installed and located in accordance with the installation instructions before it is used. Product is for indoor household use only. Do not use outdoors.
- Do not store or use flammable vapors or liquids near this product.
- Do not allow children to climb, stand, or hang on the ice maker. They could seriously injure themselves.
- Do not look directly at UV lamp when it is operating. The light emitted by the lamp will cause serious eye damage and burn unprotected skin.
- In order to avoid exposure to UV radiation, disconnect power to the ice maker before removing the external covers.
- Do not use with water that is micro-biologically unsafe or of unknown quality.
- Place power cord in such a way that it cannot be pulled on by children or cause a tripping hazard.
- Place power cord in such a way that it is not in contact with hot surfaces.
- Do not operate if any component, including the cord or plug, is damaged.
- Unplug the product before cleaning by hand and when not in use.
- Do not immerse any part of the product in water.
- Do not plug or unplug product with wet hands.
- Do not attempt to disassemble, repair, modify, or replace any part of your product.
- Use this product only for its intended purpose as described in this user manual.
- Do not use any accessories not recommended by the manufacturer.
- When handling, installing, and operating the appliance, care should be taken to avoid damage to the refrigerant tubing.
- Servicing shall be performed by factory authorized service personnel and component parts shall be replaced with manufacturer authorized replacement components.

⚠ CAUTION To reduce the risk of injury when using your Opal, follow these basic safety precautions.

- Do not remove any safety, warning, or product information labels from your ice maker.
- Lifting Hazard: It is recommended to have two people move and install the ice maker in order to prevent injury.

⚠ WARNING  **FIRE OR EXPLOSION HAZARD Flammable Refrigerant**

This appliance contains isobutane refrigerant, also known as R600a, a natural gas with high environmental compatibility. However, it is also combustible. Adhere to the warnings below to reduce the risk of injury or property damage.

1. When handling, installing, and operating the appliance, care should be taken to avoid damage to the refrigerant tubing.
2. Service shall only be performed by authorized service personnel. Use only manufacturer-authorized service parts.
3. Dispose of refrigerator in accordance with Federal and Local Regulations. The flammable refrigerant and insulation material used in this product require special disposal procedures. Contact your local authorities for the environmentally safe disposal of your refrigerator.
4. Keep ventilation openings in the appliance enclosures or in the built-in structure clear of obstruction.
5. To remove frost, scrape with a plastic or wood spatula or scraper. Do not use an ice pick or a metal or sharp-edged instrument as it may puncture the freezer liner and then the flammable refrigerant tubing behind it.
6. Do not use electrical appliances inside the food storage compartment of the appliance.
7. Do not use any electrical device to defrost your appliance

READ AND SAVE THESE INSTRUCTIONS

CONSIGNES DE SÉCURITÉ IMPORTANTES

LISEZ, SUIVRE, ET CONSERVER CES INSTRUCTIONS

⚠ AVERTISSEMENT

Pour réduire le risque d'incendie, d'explosion, de choc électrique, d'exposition aux rayons UV ou de blessure lors de l'utilisation de votre Opal, observez les consignes de sécurité élémentaires suivantes.

- En cas, vous ne devez modifier ni retirer la troisième broche (terre) du cordon électrique. Pour votre sécurité, ce produit doit être correctement mis à la terre.
- N'excédez pas les valeurs nominales de la prise électrique. Nous recommandons que la machine à glaçons soit branchée à son propre circuit. Utilisez uniquement une alimentation électrique standard de 115 V, 60 Hz, correctement mise à la terre conformément au code national de l'électricité et aux codes et règlements locaux en vigueur.
- En raison de risques potentiels pour la sécurité dans certaines conditions, nous vous mettons fortement en garde contre l'utilisation d'un cordon prolongateur. Si toutefois vous devez utiliser un cordon prolongateur, celui-ci doit présenter les caractéristiques suivantes : type pour électroménagers à trois broches avec mise à la terre, fiche avec mise à la terre, homologation UL, valeurs nominales de 15 ampères (minimum) et 120 volts.
- Ce produit doit être installé correctement et placé conformément aux instructions d'installation avant son utilisation. Ce produit est destiné à un usage domestique à l'intérieur seulement. Ne l'utilisez pas à l'extérieur.
- Ne rangez ni n'utilisez des vapeurs ou des liquides inflammables à proximité de ce produit.
- Ne permettez pas aux enfants de grimper sur la machine à glaçons, ni de s'y tenir ou s'y agripper. Ils pourraient se blesser gravement.
- Ne regardez pas la lampe UV directement lorsqu'elle est allumée. La lumière émise par la lampe peut causer des lésions sévères aux yeux ou brûler la peau non protégée.
- Afin de prévenir l'exposition aux radiations UV, débranchez l'alimentation électrique à la machine à glaçons avant de retirer les couvercles extérieurs.
- N'utilisez pas d'eau impropre à la consommation ou de qualité douteuse sur le plan microbiologique.
- Placez le cordon électrique de façon qu'il ne soit pas tiré par les enfants et qu'il ne pose pas un risque de trébuchement.
- Placez le cordon électrique de façon qu'il ne touche pas aux surfaces chaudes.
- Ne faites pas fonctionner l'appareil si un de ses composants, cordon et fiche inclus, est endommagé.
- Débranchez le produit avant de le nettoyer à la main ou lorsqu'il n'est pas utilisé.
- N'immergez aucune pièce de ce produit dans l'eau.
- Ne branchez ni ne débranchez le produit avec les mains mouillées.
- Ne tentez pas de démonter, réparer, modifier ou remplacer une pièce quelconque de ce produit.
- Utilisez ce produit uniquement aux fins auxquelles il est destiné qui sont décrites dans ce manuel d'utilisation.
- N'utilisez aucun accessoire qui n'est pas recommandé par le fabricant.
- Lors de la manipulation, de l'installation et de l'utilisation de l'appareil, veillez à ne pas endommager le tube de réfrigérant.
- L'entretien doit être effectué par du personnel de service autorisé par l'usine et les composants doivent être remplacés par des pièces de rechange autorisées par le fabricant.

⚠ ATTENTION

Pour réduire le risque de blessure lors de l'utilisation de votre Opal, observez les consignes de sécurité élémentaires suivantes

- Ne retirez aucune étiquette apposée sur la machine à glaçons qui présente des renseignements sur la sécurité, les avertissements ou le produit.
- Risque associé à une charge lourde : Nous recommandons que deux personnes déplacent et installent la machine à glaçons afin de prévenir les blessures.

⚠ AVERTISSEMENT



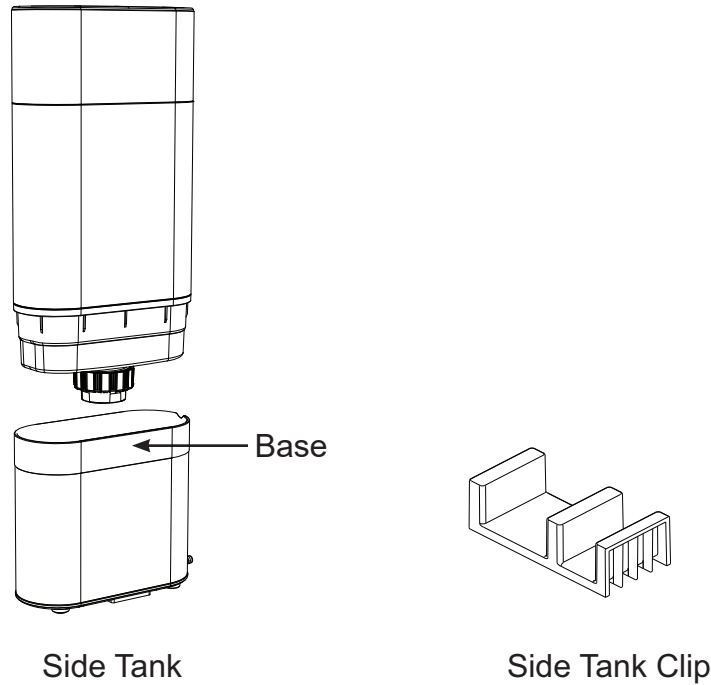
RISQUE D'INCENDIE OU D'EXPLOSION Fluide frigorigène inflammable

Cet électroménager contient le réfrigérant isobutane, aussi connu comme R600a, un gaz naturel à compatibilité élevée avec l'environnement. Il s'agit cependant d'un combustible. Observez les consignes de sécurité ci-dessous afin de réduire le risque de blessure ou de dommage à la propriété.

1. Lors de la manipulation, de l'installation et de l'utilisation de cet appareil, prenez soin de ne pas endommager les tubes de circulation du fluide frigorigène.
2. L'entretien ou la réparation doivent être effectués par un personnel de service autorisé. Utilisez seulement des pièces de rechange autorisées par le fabricant.
3. Mettez le réfrigérateur au rebut conformément aux réglementations fédérales et locales. Le fluide frigorigène inflammable et le matériel isolant utilisés nécessitent des procédures de mise au rebut spéciales. Communiquez avec les autorités locales compétentes pour la mise au rebut de votre réfrigérateur sans danger pour l'environnement.
4. N'obstruez pas les événements dans l'enceinte prévue pour l'appareil.
5. Pour retirer le givre, grattez à l'aide d'un grattoir ou d'une spatule en plastique ou en bois. N'utilisez pas un pic à glace ni un instrument métallique ou aux arêtes coupantes car il y a risque de percer la doublure du congélateur et la tubulure du réfrigérant inflammable derrière elle.
6. N'utilisez pas d'appareils électriques dans le compartiment réfrigérateur de cet appareil.
7. N'utilisez aucun appareil électrique pour dégivrer votre congélateur.

LISEZ, SUIVRE, ET CONSERVER CES INSTRUCTIONS

Parts Included



Getting Started

To keep your nugget ice tasting fresh and your Opal side tank looking great, we recommend cleaning/sanitizing your Opal and side tank at least once per week.

To clean the exterior of the ice maker, unplug the product, then use a soft cloth dampened with soapy water to gently clean the exterior surfaces. Dry with a soft cloth.

The exterior stainless steel surfaces can be cleaned with commercially available stainless steel cleaner. Use only a liquid cleaner free of grit and rub in the direction of the brush lines with a damp, soft sponge. Do not use appliance wax, polish, solvents, or chemicals on the stainless steel. Do not use soap to clean the reservoir. Use a soft cloth moistened with water.

⚠ WARNING Chemical Exposure Hazard, when cleaning with bleach, use bleach in a well ventilated area and avoid mixing bleach with other household cleaners.

⚠ WARNING Unplug the product before cleaning by hand, and when not in use.

Side Tank Accessory

NOTE: Appearance may vary by model number.

NOTE: There are two drain tubes located on the back of your Opal Nugget Ice Maker indicated as drain tube A and B in the illustration on page 6.

1. Hand Wash Only: Rinse and hand wash Opal Side Tank with warm water and a mild dish soap. Remove Opal Side Tank's cap and wash the cap and rubber valve with water and a mild dish soap. The Side Tank base can be washed by disconnecting the hose and adding a small amount of soapy water to it. Scrub as needed and rinse thoroughly. The rinse water should drain out the port in the back.

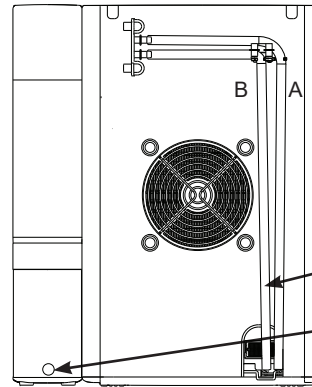
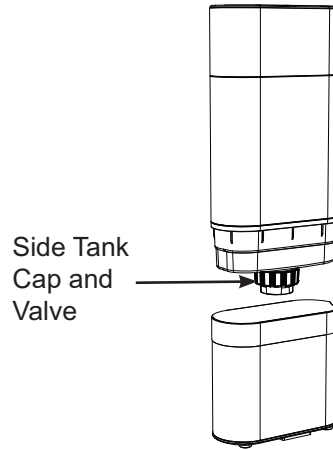
Rinse the cap, rubber valve, tank and the base well to remove any residual soap (see illustration).

DO NOT WASH THE SIDE TANK IN THE DISHWASHER.

2. Unplug Opal Nugget Ice Maker. Unhook Opal's drain tubes and drain the water from the reservoir.
3. Connect drain tube, labeled B, to the back of Opal Side Tank's base.
4. Make sure drain tube (A) is connected to the black hanger and installed on the back of Opal.
5. Make sure drain tube (B) connecting to the Side Tank is resting flat on the countertop.

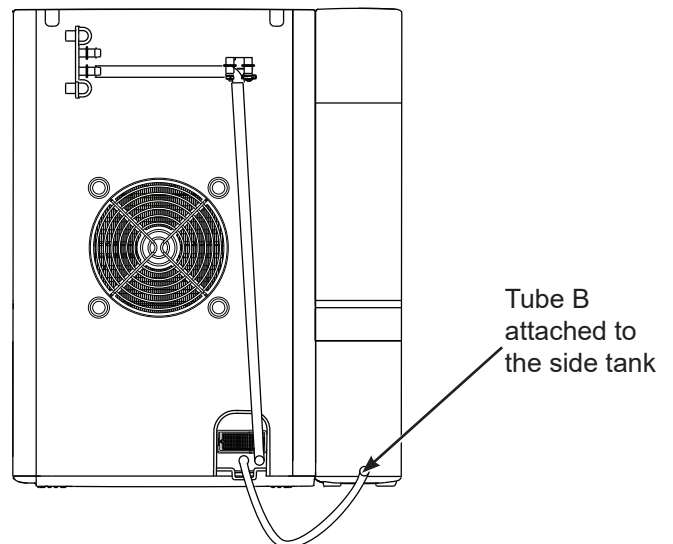
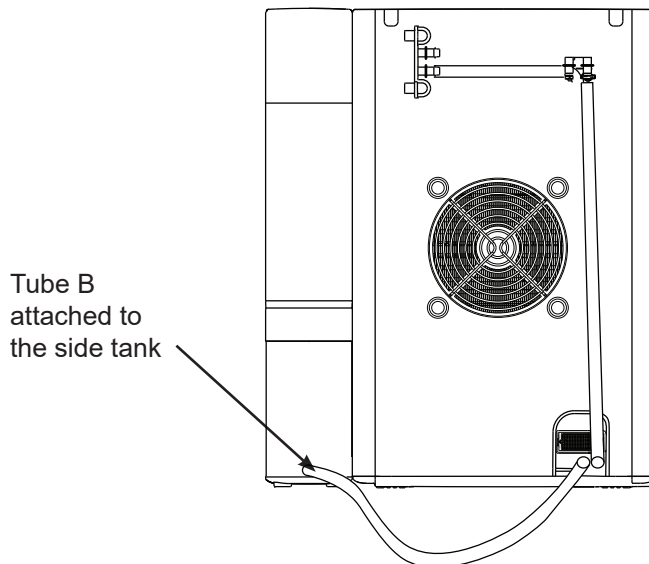
6. Place Opal Side Tank on the right or left-hand side of the the Opal Nugget Ice Maker. Using the side tank attachment, slide the shorter side of the attachment under the unit, near the front of the unit. The attachment will slide into a slot on the bottom of the unit. Once this is placed, the side tank can slide onto the opposite attachment. See figures below and on next page.

NOTE: Care should be taken to connect the correct tube to the Opal Side Tank. Tube (B) should always be connected to the Side Tank whether it is installed on the left or right side of the Opal Nugget Ice Maker. It is important to make sure the tube is lying flat, otherwise water may not flow from the side tank into the ice maker.



Unplug this drain tube (B) from the black hanger and connect this tube to the Side Tank.

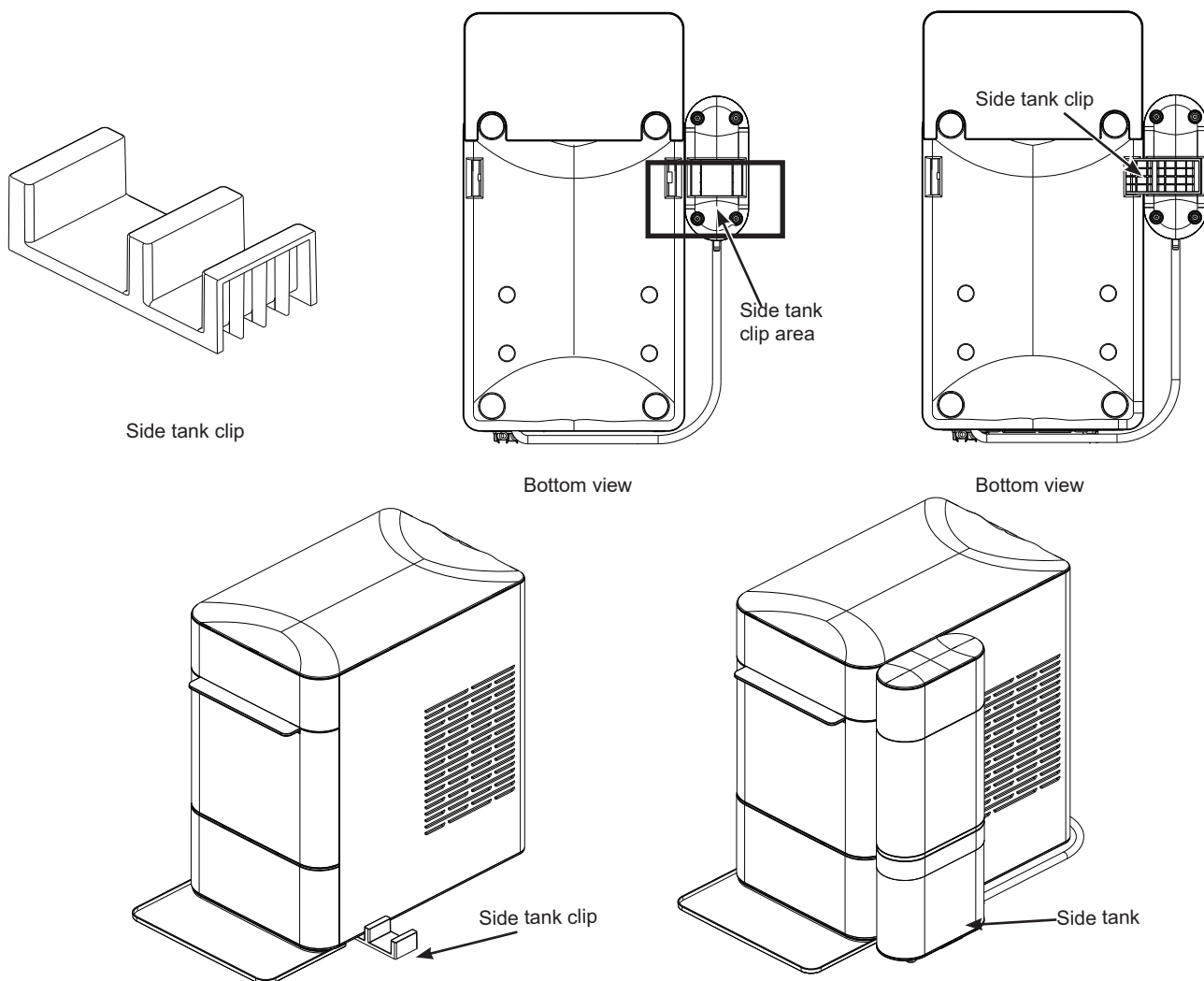
Plug drain tube B into the side tank here.



Side Tank Accessory

NOTE: Appearance may vary by model number.

6. Continued.



7. Remove Opal Side Tank's reservoir from its base.

8. Unscrew Opal Side Tank's cap from the reservoir. Fill the clear reservoir with water.

9. Replace Opal Side Tank's cap. Ensure the cap is clean when installing.

10. Carefully flip over Opal Side Tank's reservoir and place in the base. Water should start flowing into the Opal Nugget Ice Maker and bubbles in the Opal Side Tank will appear periodically during the time water is flowing to the ice maker.

NOTE: If water does not appear to flow into the ice maker, please check for the following:

- There may be bubbles in tube (B) connecting the Side Tank to the Opal.
- Tube (B) is not lying flat.

If either of the above issues are present, adjust tube (B) to allow the water to flow.

11. Fill Opal Nugget Ice Maker's reservoir (if desired).

12. Plug in Opal Nugget Ice Maker, and begin making ice.

Side Tank Accessory

NOTE: Appearance may vary by model number.

⚠ WARNING To reduce the risk of electrical shock or injury when using your Opal, follow these basic safety precautions:

- Unplug the product before cleaning by hand and when not in use.
 - Do not use with water that is microbiologically unsafe or of unknown quality.
 - Use caution when filling and installing Opal Side Tank, as filled unit may be heavy.
 - Do not use this side tank for any liquid other than water.
 - Children should not fill or install Opal Side Tank, as filled unit may be heavy.
 - Side tank should be assembled to ice maker per installation instructions. Installing side tank in a different manner may result in overturning risk.
 - Make sure that Opal Nugget Ice Maker is unplugged when draining reservoir and installing Opal Side Tank.
 - Ensure that Opal Side Tank is installed on a level surface that will be stable even when Opal Side Tank is full.
 - Make sure the cap of the Side Tank remains clean during filling and operation. Hands should be washed and clean prior to opening and closing the cap.
-

Use and Care

Cleaning the Side Tank

- Remove and drain the Side Tank.
- If there is residual water in Opal Side Tank base unit, flip Opal Side Tank's base to drain.
- Remove and wash Opal Side Tank's cap and valve with dish soap and warm water as needed. Ensure the cap is clean after removing and re-installing by hand.
- Only remove drain tubes while near a sink or bucket, as removing drain tubes from Opal or Opal Side Tank will drain any water in either unit.

Proper Installation and Location

The side tank should be installed flush to the front of the Opal Nugget Ice maker. Opal Side Tank needs to sit on the same level surface as your Opal Nugget Ice Maker. Do not elevate Opal Side Tank, or your Opal may overflow.

To Remove Mineral Deposits:

Mix two quarts of water with two quarts of white vinegar, OR use the Opal Cleaning Kit.

Clean any visible mineral buildup or deposits with this solution. If deposits are present in the tank, fill the tank with this solution and let soak. Be sure to drain and rinse the tank thoroughly after cleaning. Stubborn deposits may require more than one treatment.

Side Tank Troubleshooting

If water does not flow from the Side Tank to the Opal Ice Maker:

There may be bubbles in the tube connecting the side tank to the Opal if the tube is not lying flat. Try adjusting the tube to allow the water to flow. Once water starts flowing it typically will not need further adjusting.

Normal Operating Sounds

Your new ice maker may make sounds that are not familiar. Most of these sounds are normal. Hard surfaces like the floor, walls, and countertops can amplify these sounds. The following describes the sounds that may be new to you and what may be creating them.

- **WHIR** - When Opal is first turned on, you may notice the condenser fan spinning.
- **BUZZ** - When the water pump first turns on, it may be dry and slightly noisy. Once it is filled with water, the noise reduces significantly.
- **RATTLE** - Rattling noises may be produced from the flow of the refrigerant. These noises should reduce significantly once the refrigerant system has stabilized.
- **GURGLE** - When the refrigerant system shuts off, there may be a brief gurgle as the refrigerant stops flowing.
- **HUM** - The compressor is a motor. It produces a low toned humming sound while it is running.
- **CLICK** - As nugget ice is produced, it drops into the ice drawer. The first nuggets produced are the loudest, as they impact the bottom of the ice bin. As the bin fills, this noise reduces significantly.
- **SQUEAK** – When Opal is in need of defrosting, it may start to squeak as ice starts to build up around the mechanisms. The defrost cycle is automatic, and may take 30-45 minutes. During this time, the front button won't respond.

GE Appliances Ice Maker Limited Warranty

GEAppliances.com

Please have your serial number and your model number available when calling for service. Call 1.866.907.6718 for service questions.

| For the Period of: | GE Appliances Covers |
|---|--|
| One Year From the date of the original purchase | If the ice machine fails due to a defect in materials or workmanship, during the limited one-year warranty , GE Appliances will either replace your product with a new or remanufactured product, or refund the purchase price of the product at GE Appliances sole discretion. |

What GE Appliances Will Not Cover:

- Service trips to your home.
- Improper installation, delivery or maintenance.
- Failure of the product if it is abused, misused, or used for other than the intended purpose or used commercially.
- Replacement of house fuses or resetting of circuit breakers.
- Damage caused after delivery.
- Replacement of the light bulbs, if included.
- Damage to the product caused by accident, fire, floods or acts of God.
- Incidental or consequential damage caused by possible defects with this appliance.
- Software bugs that can be corrected with an update via the Opal App
- Labor and other charges to install and/or remove the product

EXCLUSION OF IMPLIED WARRANTIES

Your sole and exclusive remedies are product exchange or refund as provided in this Limited Warranty. Any implied warranties, including the implied warranties of merchantability or fitness for a particular purpose, are limited to one year or the shortest period allowed by law.

For sale in the 50 United States and the District of Columbia only: For US Customers: This limited warranty is extended to the original purchaser for products purchased for home use within the USA. In Alaska and Hawaii, the limited warranty does not include the costs of shipping units.

Some states do not allow the exclusion or limitation of incidental or consequential damages. This warranty gives you specific legal rights, and you may also have other rights which vary from state to state. To know what your legal rights are, consult your local or state consumer affairs office or your state's Attorney General.

Warrantor: GE Appliances, a Haier company
Louisville, KY 40225

Staple your receipt here. Proof of the original purchase date is needed to obtain service under the warranty.

LIMITED WARRANTY

Consumer Support

Service and Registration

Register your new appliance on-line at your convenience! Timely product registration will allow for enhanced communication and prompt service under the terms of your warranty, should the need arise.

Register your appliance at **GEAppliances.com/register** or visit **myopalservice.com** to submit a service request.

Contact Us

If you are not satisfied with the service you receive from GE Appliances, contact us on our Website with all the details including your phone number, or write to:

In the US: General Manager, Customer Relations | GE Appliances, Appliance Park | Louisville, KY 40225

GEAppliances.com/contact

In Canada: Director, Consumer Relations, MC Commercial Inc. | Suite 310, 1 Factory Lane | Moncton, N.B. E1C 9M3

GEAppliances.ca/en/contact-us



RÉSERVOIR LATÉRAL

| | |
|--------------------------------------|----|
| CONSIGNES DE SÉCURITÉ | 3 |
| PIÈCES INCLUSES | 4 |
| COMMENT DÉMARRER | 4 |
| RÉSERVOIR LATÉRAL | 5 |
| DÉPANNAGE | 8 |
| GARANTIE LIMITÉE | 11 |
| SOUTIEN AU CONSOMMATEUR | 12 |

MANUEL D'UTILISATION

P4AAKASBRTD
P4AAKASSRSS

FRANÇAIS

Inscrivez les numéros de modèle et
de série ici

No de modèle _____

No de série _____

Vous trouverez ces numéros sur l'étiquette
à l'arrière de l'appareil.



NOUS VOUS REMERCIONS D'INTÉGRER GE APPLIANCES À VOTRE DEMEURE.

Que vous ayez grandi avec des électroménagers GE ou qu'il s'agisse de votre première acquisition, nous sommes heureux de vous accueillir dans notre famille.

Nous sommes fiers du savoir-faire, de l'innovation et du design qui constituent chaque électroménager GE, et nous pensons que vous le serez aussi. Nous vous rappelons que l'enregistrement de votre électroménager vous assure de recevoir des renseignements importants sur le produit et la garantie lorsque vous en avez besoin.

The Good Ice™

CONSIGNES DE SÉCURITÉ IMPORTANTES

LISEZ, SUIVRE, ET CONSERVER CES INSTRUCTIONS

⚠ AVERTISSEMENT

Pour réduire le risque d'incendie, d'explosion, de choc électrique, d'exposition aux rayons UV ou de blessure lors de l'utilisation de votre Opal, observez les consignes de sécurité élémentaires suivantes.

- En cas, vous ne devez modifier ni retirer la troisième broche (terre) du cordon électrique. Pour votre sécurité, ce produit doit être correctement mis à la terre.
- N'excédez pas les valeurs nominales de la prise électrique. Nous recommandons que la machine à glaçons soit branchée à son propre circuit. Utilisez uniquement une alimentation électrique standard de 115 V, 60 Hz, correctement mise à la terre conformément au code national de l'électricité et aux codes et règlements locaux en vigueur.
- En raison de risques potentiels pour la sécurité dans certaines conditions, nous vous mettons fortement en garde contre l'utilisation d'un cordon prolongateur. Si toutefois vous devez utiliser un cordon prolongateur, celui-ci doit présenter les caractéristiques suivantes : type pour électroménagers à trois broches avec mise à la terre, fiche avec mise à la terre, homologation UL, valeurs nominales de 15 ampères (minimum) et 120 volts.
- Ce produit doit être installé correctement et placé conformément aux instructions d'installation avant son utilisation. Ce produit est destiné à un usage domestique à l'intérieur seulement. Ne l'utilisez pas à l'extérieur.
- Ne rangez ni n'utilisez des vapeurs ou des liquides inflammables à proximité de ce produit.
- Ne permettez pas aux enfants de grimper sur la machine à glaçons, ni de s'y tenir ou s'y agripper. Ils pourraient se blesser gravement.
- Ne regardez pas la lampe UV directement lorsqu'elle est allumée. La lumière émise par la lampe peut causer des lésions sévères aux yeux ou brûler la peau non protégée.
- Afin de prévenir l'exposition aux radiations UV, débranchez l'alimentation électrique à la machine à glaçons avant de retirer les couvercles extérieurs.
- N'utilisez pas d'eau impropre à la consommation ou de qualité douteuse sur le plan microbiologique.
- Placez le cordon électrique de façon qu'il ne soit pas tiré par les enfants et qu'il ne pose pas un risque de trébuchement.
- Placez le cordon électrique de façon qu'il ne touche pas aux surfaces chaudes.
- Ne faites pas fonctionner l'appareil si un de ses composants, cordon et fiche inclus, est endommagé.
- Débranchez le produit avant de le nettoyer à la main ou lorsqu'il n'est pas utilisé.
- N'immergez aucune pièce de ce produit dans l'eau.
- Ne branchez ni ne débranchez le produit avec les mains mouillées.
- Ne tentez pas de démonter, réparer, modifier ou remplacer une pièce quelconque de ce produit.
- Utilisez ce produit uniquement aux fins auxquelles il est destiné qui sont décrites dans ce manuel d'utilisation.
- N'utilisez aucun accessoire qui n'est pas recommandé par le fabricant.
- Lors de la manipulation, de l'installation et de l'utilisation de l'appareil, veillez à ne pas endommager le tube de réfrigérant.
- L'entretien doit être effectué par du personnel de service autorisé par l'usine et les composants doivent être remplacés par des pièces de rechange autorisées par le fabricant.

⚠ ATTENTION

Pour réduire le risque de blessure lors de l'utilisation de votre Opal, observez les consignes de sécurité élémentaires suivantes

- Ne retirez aucune étiquette apposée sur la machine à glaçons qui présente des renseignements sur la sécurité, les avertissements ou le produit.
- Risque associé à une charge lourde : Nous recommandons que deux personnes déplacent et installent la machine à glaçons afin de prévenir les blessures.

⚠ AVERTISSEMENT



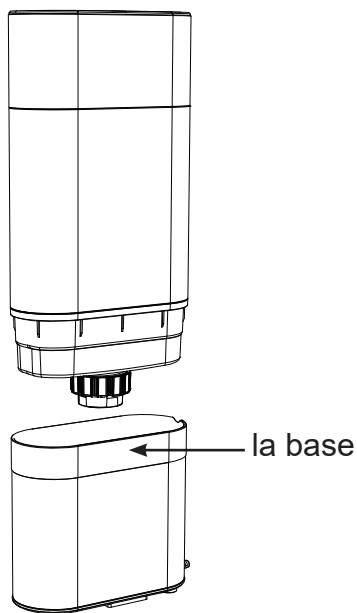
RISQUE D'INCENDIE OU D'EXPLOSION Fluide frigorigère inflammable

Cet électroménager contient le réfrigérant isobutane, aussi connu comme R600a, un gaz naturel à compatibilité élevée avec l'environnement. Il s'agit cependant d'un combustible. Observez les consignes de sécurité ci-dessous afin de réduire le risque de blessure ou de dommage à la propriété.

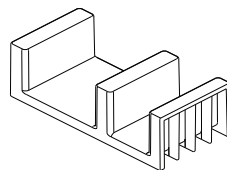
1. Lors de la manipulation, de l'installation et de l'utilisation de cet appareil, prenez soin de ne pas endommager les tubes de circulation du fluide frigorigère.
2. L'entretien ou la réparation doivent être effectués par un personnel de service autorisé. Utilisez seulement des pièces de rechange autorisées par le fabricant.
3. Mettez le réfrigérateur au rebut conformément aux réglementations fédérales et locales. Le fluide frigorigère inflammable et le matériel isolant utilisés nécessitent des procédures de mise au rebut spéciales. Communiquez avec les autorités locales compétentes pour la mise au rebut de votre réfrigérateur sans danger pour l'environnement.
4. N'obstruez pas les événements dans l'enceinte prévue pour l'appareil.
5. Pour retirer le givre, grattez à l'aide d'un grattoir ou d'une spatule en plastique ou en bois. N'utilisez pas un pic à glace ni un instrument métallique ou aux arêtes coupantes car il y a un risque de percer la doublure du congélateur et la tubulure du réfrigérant inflammable derrière elle.
6. N'utilisez pas d'appareils électriques dans le compartiment réfrigérateur de cet appareil.
7. N'utilisez aucun appareil électrique pour dégivrer votre congélateur.

LISEZ, SUIVRE, ET CONSERVER CES INSTRUCTIONS

Pièces Incluses



Réservoir latéral



Clip de réservoir latéral

Comment Démarrer

Pour garder la fraîcheur des glaçons et l'apparence de votre Opal, nous recommandons de nettoyer/désinfecter celle-ci au moins une fois par semaine.

Pour nettoyer l'extérieur de la machine à glaçons, débranchez-la puis utilisez un linge doux imbibé d'eau savonneuse pour nettoyer délicatement les surfaces extérieures. Séchez à l'aide d'un linge doux.

On peut nettoyer les surfaces extérieures en acier inoxydable avec un nettoyant pour acier inoxydable du commerce. Utilisez uniquement un nettoyant liquide exempt d'abrasif et frottez dans la direction des lignes de brosse à l'aide d'une éponge douce et humide. N'utilisez pas de cire, de produits à polir, de solvants ou autres produits chimiques pour électroménagers sur l'acier inoxydable. N'utilisez pas de savon pour nettoyer le réservoir. Utilisez un linge doux imbibé d'eau.

⚠ AVERTISSEMENT

Risque d'exposition à des produits chimiques - Lors du nettoyage avec un javellisant, travaillez dans un endroit bien ventilé et évitez de mélanger le javellisant avec d'autres nettoyants domestiques.

⚠ AVERTISSEMENT

Débranchez le produit avant de le nettoyer à la main, ou lorsqu'il n'est pas utilisé.

Réservoir Latéral

REMARQUE: l'apparence peut varier selon le modèle

REMARQUE : Deux tuyaux de vidange sont situés sur l'arrière de la machine à glaçons Opal, identifiés par A et B sur l'illustration de la page 5.

1. Laver à la main seulement : Lavez à la main et rincez le réservoir latéral avec de l'eau tiède et un savon à vaisselle doux. Retirez le capuchon du réservoir latéral et lavez le capuchon et la valve en caoutchouc avec de l'eau et un savon à vaisselle doux. On peut laver la base du réservoir latéral en déconnectant le tuyau et en ajoutant une petite quantité d'eau savonneuse dans la base. Frottez au besoin et rincez à fond. L'eau de rinçage doit se vidanger par l'orifice à l'arrière.

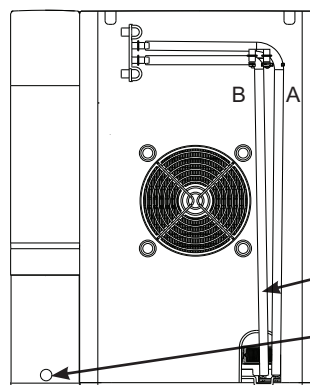
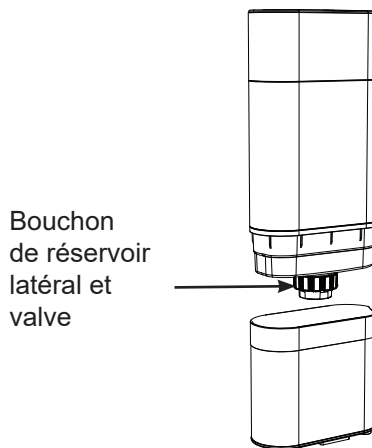
Rincez bien le capuchon, la valve de caoutchouc, le réservoir et la base afin d'évacuer tout résidu de savon (voir l'illustration).

NE LAVEZ PAS LE RÉSERVOIR LATÉRAL AU LAVE-VAISSELLE.

2. Débranchez la machine à glaçons Opal. Débranchez les tuyaux de vidange et vidangez l'eau du réservoir.
3. Connectez le tuyau de vidange identifié B sur l'arrière de la base du réservoir latéral.
4. Assurez-vous que le tuyau de vidange (A) est connecté au support noir et installé sur l'arrière de l'Opal.
5. Assurez-vous que le tuyau de vidange (B) connecté au réservoir latéral repose à plat sur le comptoir.

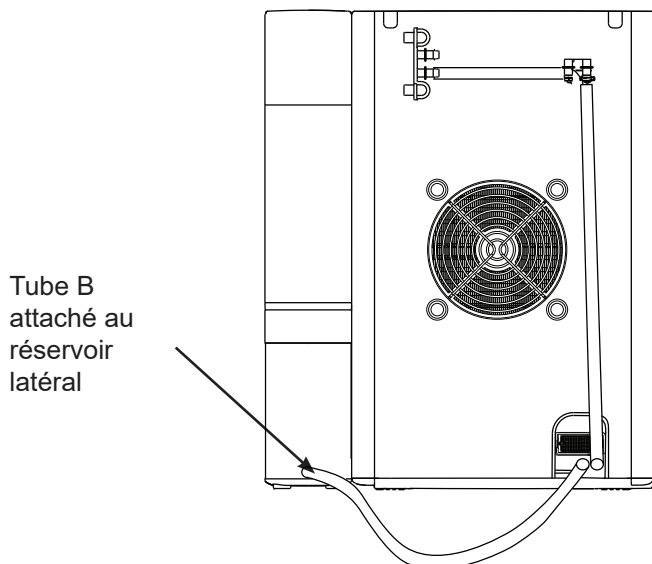
6. Placez le réservoir latéral contre la machine à glaçons Opal de façon que les aimants du réservoir latéral se fixent à la machine à glaçons. Votre réservoir latéral Opal peut s'installer sur un côté ou l'autre de la machine à glaçons.

REMARQUE : Il faut porter attention à connecter le bon tuyau de vidange sur le réservoir latéral. Le tuyau de vidange (B) doit toujours être connecté sur le réservoir latéral, peu importe qu'il soit installé sur le côté droit ou gauche de la machine à glaçons Opal.

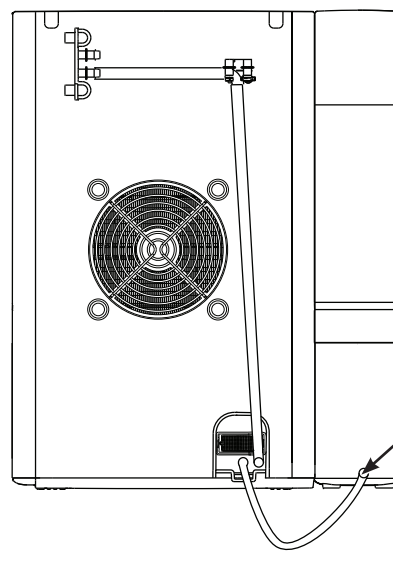


Débranchez ce tube de vidange (B) du support noir et connectez ce tube au réservoir latéral.

Branchez le tube de vidange B dans le réservoir latéral ici.



Tube B attaché au réservoir latéral

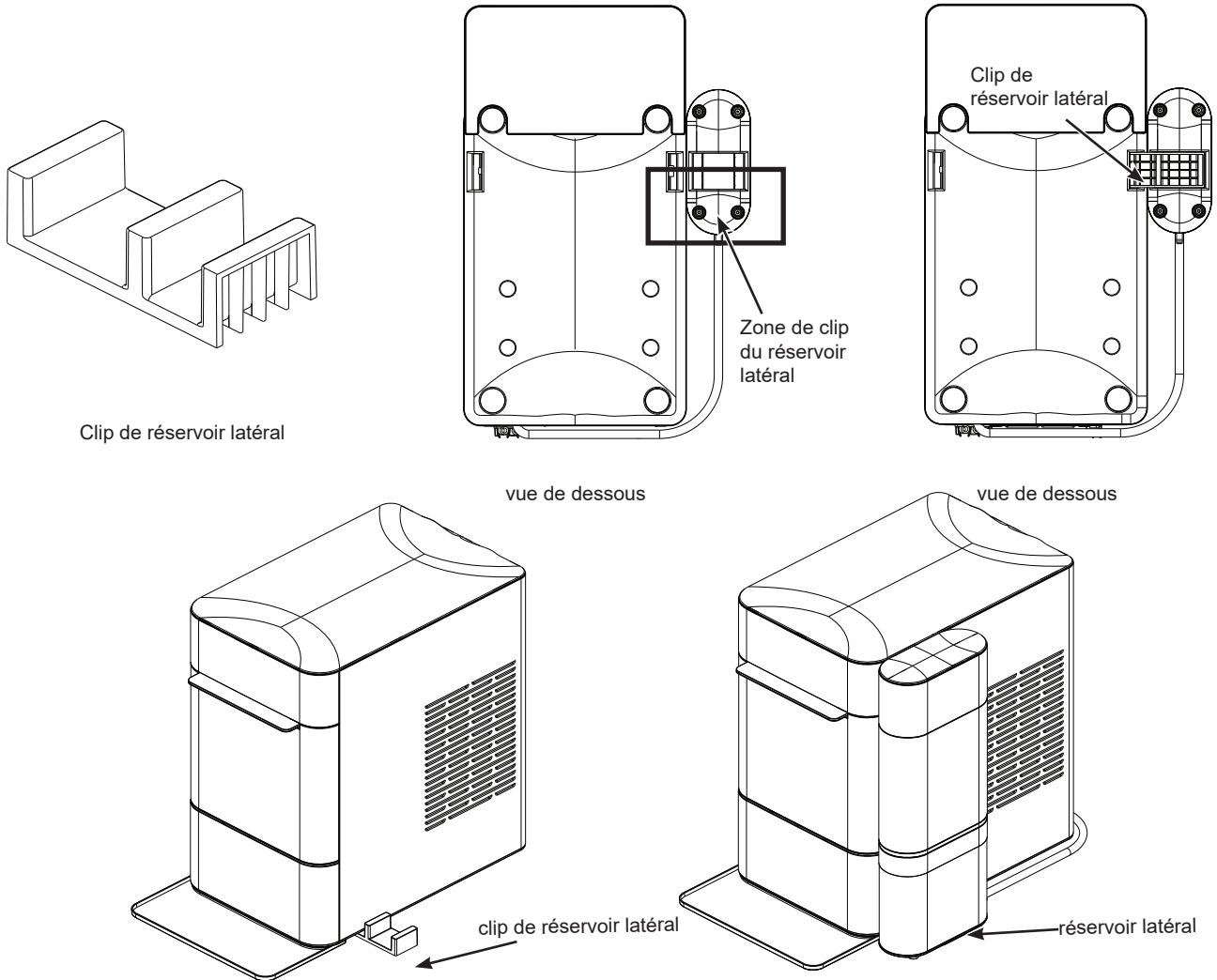


Tube B attaché au réservoir latéral

Réservoir Latéral

REMARQUE: l'apparence peut varier selon le modèle

6. A continué.



7. Retirez le réservoir latéral de sa base.
8. Dévissez le capuchon du réservoir latéral. Remplissez le réservoir latéral avec de l'eau.
9. Replacez le capuchon du réservoir latéral. Assurez-vous que le capuchon est propre avant de le replacer.
10. Retournez avec précaution le réservoir latéral et placez-le sur sa base. L'eau devrait commencer à circuler dans la machine à glaçons et des bulles apparaîtront périodiquement pendant la circulation de l'eau.

REMARQUE : Si l'eau ne semble pas circuler dans la machine à glaçons, veuillez vérifier les éléments suivants :

- Il peut y avoir des bulles dans le tuyau de vidange (B) qui connecte le réservoir latéral à l'Opal.
- Le tuyau (B) ne repose pas à plat.

Si l'une ou l'autre des situations ci-dessus est présente, ajustez le tuyau (B) pour permettre à l'eau de circuler.

11. Remplissez le réservoir (principal) de la machine à glaçons Opal.
12. Branchez la machine à glaçons et commencez à produire des glaçons.

Réservoir Latéral

REMARQUE: l'apparence peut varier selon le modèle

▲ AVERTISSEMENT Pour réduire le risque de décharge électrique ou de blessure lorsque vous utilisez votre Opal, veuillez suivre les consignes de sécurité élémentaires suivantes :

- Débranchez le produit avant de le nettoyer à la main ou lorsqu'il n'est pas utilisé.
- N'utilisez pas de l'eau impropre à la consommation ou de qualité douteuse sur le plan microbiologique.
- Usez de prudence lors du remplissage et de l'installation du réservoir latéral car il est lourd une fois rempli.
- N'utilisez pas le réservoir latéral avec du liquide autre que de l'eau.
- Ne laissez pas les enfants remplir ou installer le réservoir latéral car il est lourd une fois rempli.
- Assurez-vous que la machine à glaçons Opal est débranchée lors de la vidange ou de l'installation du réservoir latéral.
- Assurez-vous que le réservoir latéral est installé sur une surface de niveau qui sera stable même lorsque le réservoir est plein.
- Assurez-vous que le capuchon du réservoir latéral reste propre pendant le remplissage et le fonctionnement. Les mains doivent être lavées et propres avant l'ouverture et la fermeture du capuchon.

Utilisation et entretien

Nettoyage du réservoir latéral

- Retirez et vidangez le réservoir latéral.
- S'il y a de l'eau résiduelle dans la base du réservoir latéral, retournez la base pour la vidanger.
- Retirez et lavez le capuchon et la valve du réservoir latéral avec du savon à vaisselle et de l'eau tiède au besoin. Assurez-vous que le capuchon est propre après son retrait et sa réinstallation à la main.
- Assurez-vous d'être à proximité d'un évier ou d'un seau avant de retirer les tuyaux de vidange car l'eau de l'Opal ou du réservoir latéral va se vidanger.

Installation et position appropriées

Le réservoir latéral doit être installé à égalité avec le devant de la machine à glaçons de façon qu'il ne bloque pas les événements d'air de la machine. Le réservoir latéral doit reposer sur la même surface de niveau que la machine à glaçons. N'élevez pas le réservoir latéral car l'Opal pourrait déborder.

Pour retirer les dépôts minéraux :

Mélangez deux litres d'eau avec deux litres de vinaigre, OU utilisez la trousse de nettoyage Opal.

Nettoyez tout dépôt minéral visible avec cette solution. Si des dépôts sont présents dans le réservoir, remplissez celle-ci avec la solution et laissez tremper. Assurez-vous de vidanger et rincer le réservoir à fond après le nettoyage. Les dépôts récalcitrants peuvent demander plus d'un traitement.

Dépannage du réservoir latéral

Si l'eau ne circule pas du réservoir latéral vers la machine à glaçons :

Il peut y avoir des bulles dans le tuyau qui connecte le réservoir latéral à l'Opal, ou le tuyau ne repose pas à plat. Ajustez le tuyau pour permettre à l'eau de circuler. Une fois que l'eau commence à circuler, il n'est généralement plus nécessaire d'ajuster le tuyau davantage.

Sons de fonctionnement normaux

Votre nouvelle machine à glaçons peut produire des sons qui ne sont pas familiers. La plupart de ces sons sont normaux. Les surfaces dures telles que planchers, murs et comptoirs peuvent amplifier ces sons. La liste suivante décrit les sons qui peuvent vous surprendre et ce qui les produit.

- **RONRONNEMENT** - Lorsque l'Opal est allumée pour la première fois, vous pourriez entendre le ventilateur du condenseur tourner.
- **BOURDONNEMENT** - Lorsque la pompe à eau se met en marche la première fois, elle peut être sèche et légèrement bruyante. Une fois remplie d'eau, le bruit s'amenuisera.
- **CLIQUETIS** - Des cliquetis peuvent être générés par la circulation du réfrigérant. Ces bruits devraient s'amenuiser considérablement une fois le système de réfrigérant stabilisé.
- **GARGOUILLIS** - Un bref gargouillis peut se produire suite à l'absence de circulation du réfrigérant lorsque le système s'arrête.
- **VROMBISSEMENT** - Le compresseur est un moteur. Il produit un vrombissement de faible tonalité lorsqu'il fonctionne.
- **CLIC** - Les glaçons tombent dans le tiroir à glace à mesure qu'ils sont produits. Les premiers glaçons produits sont les plus bruyants car ils frappent le fond du bac à glaçons. À mesure que le bac se remplit, ce bruit s'amenuise considérablement.
- **GRINCEMENT** – Lorsque l'Opal doit être dégivrée, elle peut commencer à grincer à mesure que la glace s'accumule autour des mécanismes. Le cycle de dégivrage est automatique et peut prendre 30 à 45 minutes. Pendant ce temps, le bouton frontal ne répond pas.

Garantie limitée de la machine à glaçons GE Appliances

GARANTIE LIMITÉE

GEAppliances.com

Veillez garder les numéros de série et de modèle à portée de la main au moment d'effectuer un appel de service. Composez le 1.866.907.6718 pour des questions relatives au service.

| Durant la période de | GE Appliances appliquera la garantie suivante |
|---|--|
| Un (1) an À partir de la date d'achat initial | Si la machine à glaçons présente une défaillance en raison de vices de matière ou de fabrication pendant la garantie limitée de un (1) an, GE Appliances procédera, à sa seule discrétion, au remplacement de votre produit par un neuf, à sa remise à neuf, ou encore au remboursement de son prix d'achat. |

Ce que GE Appliances ne garantie pas:

- Les déplacements de service à votre domicile.
- Une installation, une livraison ou un entretien inadéquats.
- La défaillance du produit en raison d'un usage abusif, d'une mauvaise utilisation, ou s'il est utilisé à des fins commerciales ou autres que celles prévues.
- Le remplacement des fusibles du domicile ou le réarmement des disjoncteurs.
- Les dommages survenus après la livraison.
- Le remplacement des ampoules, si elles sont incluses.
- Tout dommage occasionné par un accident, un incendie, une inondation ou une autre catastrophe naturelle.
- Les dommages accessoires ou indirects causés par d'éventuelles déficiences de cet électroménager.
- Les bogues logiciels qui ne peuvent pas être corrigés par une mise à jour de l'application Opal.
- Les frais de main-d'œuvre ou les autres frais encourus pour l'installation et/ou le retrait du produit.

EXCLUSION DES GARANTIES IMPLICITES

Votre seul recours exclusif consiste en l'échange du produit ou son remboursement en vertu de cette garantie limitée. Toute garantie implicite, y compris les garanties implicites relatives à la qualité marchande ou à l'adéquation à un usage particulier, se limitera à une période de un an ou à la période la plus courte prescrite par la loi.

Pour la vente dans les 50 États et le district de Columbia des États-Unis seulement : Clients des États-Unis : Cette garantie limitée est étendue à l'acheteur d'origine pour les produits achetés relativement à une utilisation domestique à l'intérieur des États-Unis. En Alaska et à Hawaï, la garantie limitée n'inclut pas les coûts relatifs à l'expédition des appareils.

Certains États ou provinces ne permettent pas l'exclusion ou la restriction des dommages accessoires ou indirects. Certains droits particuliers vous sont dévolus en vertu de la présente garantie et peuvent s'accompagner d'autres droits qui varient selon votre lieu de résidence. Pour connaître la nature exacte de vos droits, consultez l'organisme de protection du consommateur de votre région, ou encore le bureau du procureur général de l'État.

Garant : GE Appliances, une compagnie Haier

Louisville, KY 40225

Brochez votre reçu ici. Pour obtenir le service sous garantie, vous devez fournir la preuve de l'achat original.

Soutien Au Consommateur

Service et enregistrement

Enregistrez votre nouvel électroménager en ligne à votre convenance! L'enregistrement de votre produit dans les plus brefs délais permet une meilleure communication et un service rapide en vertu de votre garantie, le cas échéant.

Enregistrez votre électroménager sur GEAppliances.com/register ou visitez myopalservice.com pour soumettre une requête de service.

Communiquez avec nous

Si vous n'êtes pas satisfait du service reçu de GE Appliances, contactez-nous via notre site Web avec tous les détails, y compris votre numéro de téléphone, ou encore écrivez à :

Aux États-Unis : General Manager, Customer Relations | GE Appliances, Appliance Park | Louisville, KY 40225
GEAppliances.com/contact

Au Canada : Directeur, Relations avec le consommateur, MC Commercial Inc. | Suite 310, 1 Factory Lane | Moncton, N.B. E1C 9M3 GEAppliances.ca/en/contact-us



TANQUE LATERAL

INFORMACIÓN SOBRE SEGURIDAD3

EMBALAJE4

PUESTA EN MARCHA.....4

ACCESORIO DEL TANQUE LATERAL5

SOLUCIONAR PROBLEMAS8

GARANTÍA LIMITADA 11

SERVICIO AL CONSUMIDOR ...12

MANUAL DEL PROPIETARIO

P4AAKASBRTD
P4AAKASSRSS

ESPAÑOL

Escriba los números de modelo y de serie aquí:

Nº de Modelo _____

Nº de Serie _____

Busque estos números en una etiqueta en el revestimiento de la caja interna superior de la unidad sobre el frente.



GRACIAS POR HACER QUE GE APPLIANCES SEA PARTE DE SU HOGAR.

Ya sea que haya crecido usando GE Appliances, o que ésta es su primera vez, nos complace tenerlo en la familia.

Sentimos orgullo por el nivel de arte, innovación y diseño de cada uno de los electrodomésticos de GE Appliances, y creemos que usted también. Entre otras cosas, el registro de su electrodoméstico asegura que podamos entregarle información importante del producto y detalles de la garantía cuando los necesite.

The Good Ice™s

INFORMACIÓN IMPORTANTE DE SEGURIDAD

LEA TODAS LAS INSTRUCCIONES ANTES DE USAR

⚠️ ADVERTENCIA

A fin de reducir el riesgo de incendio, explosión, descarga eléctrica, exposición a radiación ultravioleta o lesiones al usar su Opal, siga estas precauciones básicas de seguridad:

- Nunca, bajo ninguna circunstancia, altere o elimine la tercera clavija (tierra) del cable de corriente. Por seguridad personal, este producto deberá estar adecuadamente conectado a tierra.
- No supere la potencia del tomacorriente. Se recomienda conectar la máquina de hielo en su propio circuito. Use sólo un suministro eléctrico estándar de 115 V, 60 Hz., que se encuentre correctamente conectado a tierra de acuerdo con el Código Nacional de Electricidad y los códigos y ordenanzas locales.
- Debido a los posibles riesgos sobre la seguridad bajo ciertas condiciones, recomendamos enfáticamente evitar el uso de prolongadores. Sin embargo, si deberá usar un prolongador, es absolutamente necesario que sea un prolongador para electrodomésticos de 3 cables con conexión a tierra de la lista de UL, que cuente con un enchufe con conexión a tierra y que la potencia eléctrica del cable sea de 15 amperes (mínimo) y 120 volts.
- Este producto se deberá instalar y ubicar adecuadamente de acuerdo con las instrucciones de instalación antes de su uso. Este producto es para uso hogareño en interior únicamente. No lo use en áreas exteriores.
- No guarde ni use vapores inflamables o líquidos cerca de este producto.
- No permita que los niños se trepen, paren o cuelguen de la máquina de hielo. Podrían sufrir lesiones graves.
- No mire directamente la lámpara ultravioleta cuando se encuentre en funcionamiento. La luz emitida por la lámpara ocasionará lesiones oculares graves y quemará la piel no protegida.
- A fin de evitar la exposición a la radiación ultravioleta, desconecte la corriente de la máquina de hielo antes de retirar las tapas exteriores.
- No use la misma con agua que no sea segura a nivel microbiológico o de calidad desconocida.
- Coloque el cable de corriente de modo tal que los niños no puedan tirar del mismo u ocasionar riesgos de tropiezo.
- Coloque el cable de corriente de modo tal que no tenga contacto con superficies calientes.
- Evite el uso si un componente, incluyendo el cable o el enchufe, se encuentran dañados.
- Desenchufe el producto antes de realizar la limpieza manual o cuando no esté en uso.
- No sumerja ninguna parte del producto en agua.
- No enchufe ni desenchufe el producto con las manos húmedas.
- No intente desensamblar, reparar, modificar o reemplazar cualquier pieza del producto. Para acceder a información sobre la Garantía, consulte la página 13.
- No intente desensamblar, reparar, modificar o reemplazar cualquier pieza del producto.
- No use accesorios que no hayan sido recomendados por el fabricante.
- Al mover, instalar y utilizar el electrodoméstico, se deberá tener cuidado para evitar dañar la tubería del refrigerante.
- El servicio técnico deberá ser realizado por personal autorizado del servicio de fábrica, y los componentes podrán ser reemplazados por componentes de repuesto autorizados por el fabricante.

⚠️ PRECAUCIÓN

A fin de reducir el riesgo de lesión al usar su Opal, siga estas precauciones básicas de seguridad:

- No retire ninguna advertencia de seguridad ni etiquetas del producto de la máquina de hielo.
- Riesgo al Levantar: se recomienda contar con dos personas para trasladar e instalar la máquina de hielo, a fin de evitar lesiones.

⚠️ ADVERTENCIA



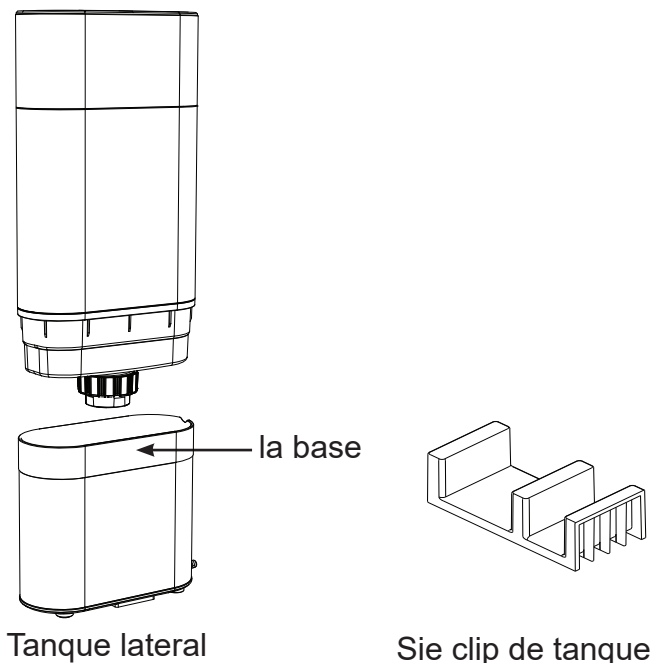
RIESGO DE INCENDIO O EXPLOSIÓN Refrigerantes Inflamables

Este electrodoméstico cuenta con refrigerante isobutano, también conocido como R600a, un gas natural con alto nivel de compatibilidad medioambiental. Sin embargo, también es combustible. Siga las advertencias que figuran a continuación, a fin de reducir el riesgo de lesiones o daños sobre la propiedad.

1. Al mover, instalar y operar el electrodoméstico, se deberá tener cuidado de no dañar la tubería del refrigerante.
2. El servicio técnico sólo debe ser realizado por personal autorizado del servicio. Use sólo piezas del servicio autorizadas por el fabricante
3. Descarte el electrodoméstico de acuerdo con las Regulaciones Federales y Locales. El refrigerante inflamable y el material aislante inflamable usados requieren procedimientos de descarte especiales. Comuníquese con las autoridades locales para descartar su refrigerador de forma ambientalmente segura.
4. Mantenga las aberturas de ventilación en el espacio de protección del electrodoméstico o en la estructura incorporada libres de obstrucción.
5. A fin de eliminar la escarcha, raspe con una espátula o raspador de plástico o madera. No use un instrumento con pico de hielo, metal, o con forma puntiaguda, ya que esto podrá perforar el revestimiento del freezer y luego la tubería refrigerante inflamable detrás de éste.
6. No use dispositivos eléctricos dentro del compartimento de almacenamiento de comida del electrodoméstico.
7. No use ningún dispositivo eléctrico para descongelar su refrigerador.

LEA Y GUARDE ESTAS INSTRUCCIONES

Embalaje



Puesta en marcha

A fin de que el gusto de las pepitas de hielo se mantenga fresco y que la Opal tenga un gran aspecto, le recomendamos limpiar esta última por lo menos una vez por semana.

Para limpiar el exterior de la máquina de hielo, desenchufe el producto, y luego use una tela suave y húmeda con agua y jabón para limpiar de forma suave las superficies exteriores. Seque con una tela suave.

La limpieza de las superficies exteriores de acero inoxidable se podrá realizar con limpiadores de acero inoxidable comercialmente disponibles. Use sólo un limpiador líquido libre de material abrasivo y frote en la dirección de las líneas del cepillo con una esponja suave y húmeda. No use cera para electrodomésticos,

esmaltes, solventes o químicos sobre el acero inoxidable. No use jabón para limpiar el depósito. Use una tela suave humedecida con agua.

⚠ ADVERTENCIA Riesgo de Exposición a Químicos: al limpiar con blanqueador, use el mismo en un área bien ventilada y evite la mezcla con otros limpiadores hogareños.

⚠ ADVERTENCIA Desenchufe el producto antes de realizar la limpieza manual o cuando no esté en uso.

Accesorio Del Tanque Lateral

NOTA: La apariencia puede variar según el modelo.

NOTA: Hay dos tuberías de desagüe ubicadas en la parte trasera de su Máquina de Pepitas de Hielo Opal, indicadas como tuberías de desagüe A y B en la ilustración que se encuentra en la página 5.

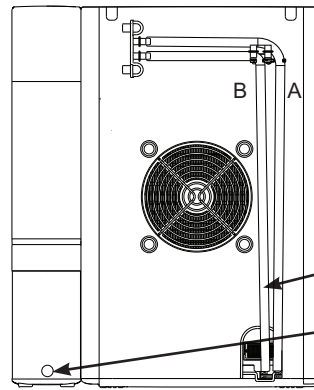
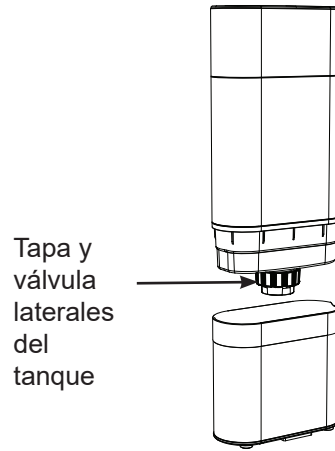
1. Lavado Manual Únicamente: Enjuague y lave manualmente el Tanque Lateral de la Opal con agua caliente y un detergente para platos suave. Retire la tapa del Tanque Lateral de la Opal y lave la tapa y la válvula de goma con agua y un detergente para platos suave. La base del Tanque Lateral se podrá lavar desconectando la manguera y agregando una pequeña cantidad de agua con jabón a ésta. Frote todo lo que sea necesario y enjuague completamente. El agua del enjuague deberá ser drenada a través del puertode la parte trasera.

Enjuague bien la tapa, la válvula de goma, el tanque y la base, a fin de eliminar cualquier residuo de jabón (consulte la ilustración).

NO LAVE EL TANQUE LATERAL DEL LAVAVAJILLAS.

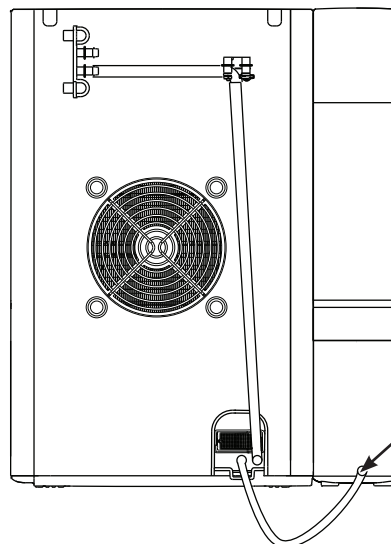
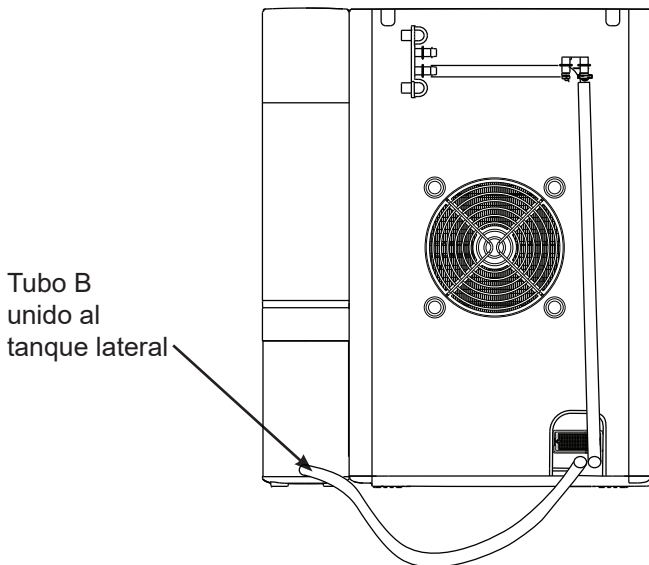
2. Desenchufe la Máquina de Pepitas de Hielo de la Opal. Desenganche las tuberías de desagüe de la Opal y drene el agua de la reserva.
3. Conecte la tubería de desagüe, con la etiqueta B, a la parte trasera de la base del Tanque Lateral de la Opal.
4. Asegúrese de que la tubería de desagüe (A) esté conectada al gancho negro e instalada en la parte trasera de la Opal.
5. Asegúrese de que la tubería de desagüe (B) que se conecta al Tanque Lateral esté colocada de forma plana sobre la mesada.
6. Coloque el Tanque Lateral de la Opal contra la Máquina de Pepitas de Hielo de la Opal, de modo que los imanes del Tanque Lateral queden adheridos a la máquina de hielo. El Tanque Lateral de la Opal podrá ser instalado en cualquiera de los laterales de su Máquina de Pepitas de Hielo Opal.

NOTA: Se deberá tener cuidado de conectar la tubería de desagüe correcta al Tanque Lateral de la Opal. La tubería de desagüe (B) siempre deberá estar conectada al Tanque Lateral, ya sea que se encuentre instalada del lado izquierdo o del lado derecho de la Máquina de Pepitas de Hielo Opal.



Desenchufe este tubo de drenaje (B) de la percha negra y conecte este tubo al tanque lateral

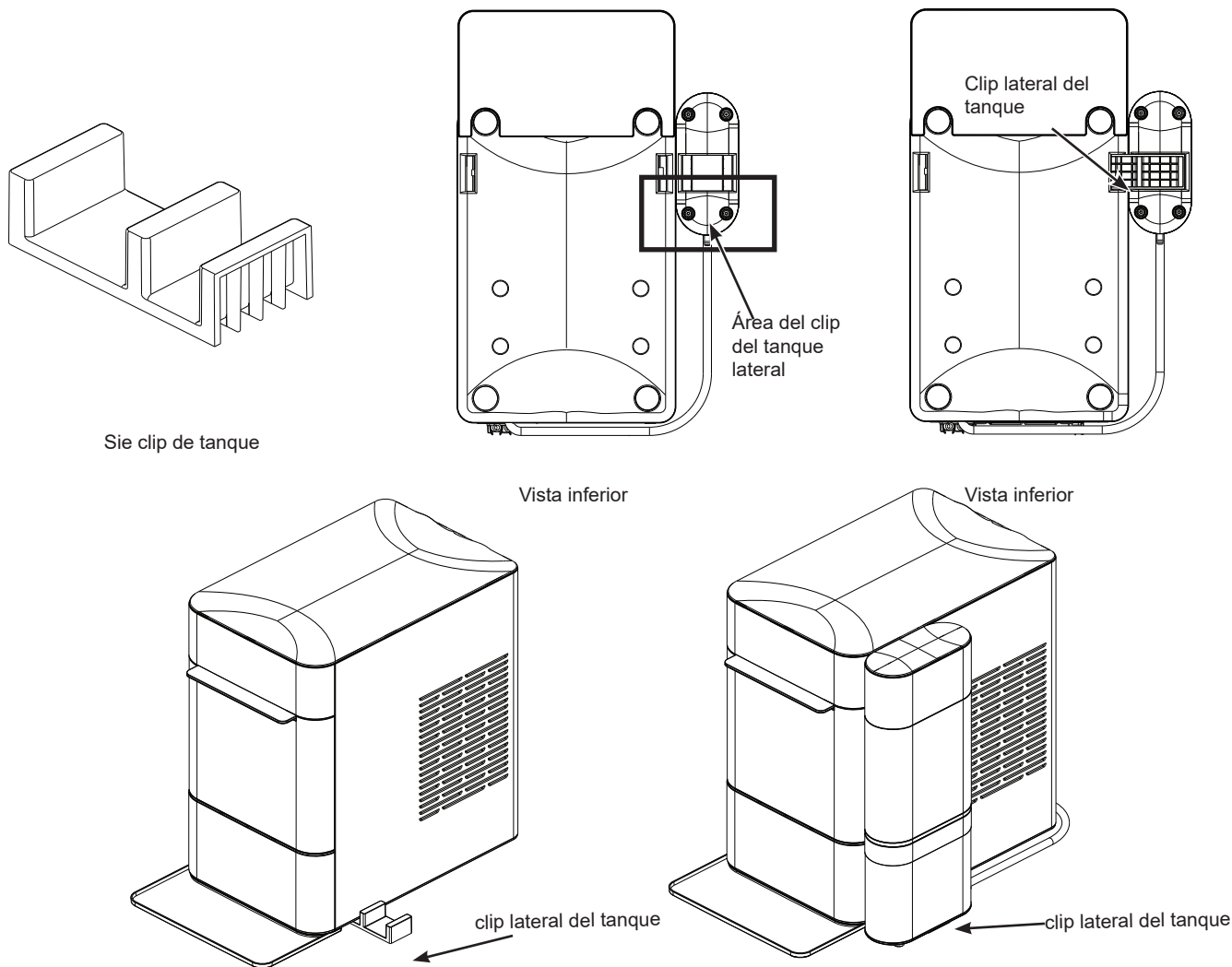
Conecte el tubo de drenaje B en el tanque lateral aquí.



Accesorio Del Tanque Lateral

NOTA: La apariencia puede variar según el modelo.

6. Continuado.



7. Retire el depósito limpio del Tanque Lateral de la Opal de su base.
8. Desenrosque la tapa del Tanque Lateral de la Opal del depósito. Llene el depósito despejado con agua.
9. Reemplace la tapa del Tanque Lateral de la Opal. Asegúrese de que la tapa esté limpia al realizar su instalación.
10. Con cuidado, dé vuelta el depósito del Tanque Lateral de la Opal y coloque el mismo en la base. El agua deberá comenzar a circular por la Máquina de Pepitas de Hielo de la Opal y aparecerán burbujas en el Tanque Lateral de la Opal de forma periódica durante el tiempo en el cual el agua esté circulando hacia la máquina de hielo.

NOTA: Si no se observa la circulación de agua dentro de la máquina de hielo, por favor controle lo siguiente:

- Es posible que haya burbujas en la tubería de desagüe (B) que se encuentra conectada al Tanque Lateral de la Opal.
- La tubería (B) no está colocada de forma plana.

Si se produjo alguno de los problemas anteriores, ajuste la tubería (B) para permitir la circulación del agua.

11. Llene el depósito de la Máquina de Pepitas de Hielo Opal.
12. Enchufe la Máquina de Pepitas de Hielo Opal, y comience a producir hielo.

Accesorio Del Tanque Lateral

NOTA: La apariencia puede variar según el modelo.

⚠ ADVERTENCIA

A fin de reducir el riesgo de descargas eléctricas o lesiones al usar la Opal, siga estas precauciones básicas de seguridad:

- Desenchufe el producto antes de realizar la limpieza manual o cuando no esté en uso.
- No use la misma con agua que no sea segura a nivel microbiológico o de calidad desconocida.
- Tenga cuidado al llenar e instalar el Tanque Lateral de la Opal, ya que la unidad llena podrá ser pesada.
- No use este tanque lateral con otros líquidos que no sean agua.
- Los niños no deberán llenar ni instalar el Tanque Lateral de la Opal, ya que la unidad llena podrá ser pesada.
- Asegúrese de que la Máquina de Pepitas de Hielo Opal esté desenchufada al drenar el depósito e instalar el Tanque Lateral de la Opal.
- Asegúrese de que el Tanque Lateral de la Opal se encuentre instalado en una superficie nivelada que se mantenga estable cuando el Tanque Lateral de la Opal esté lleno.
- Asegúrese de que la tapa del Tanque Lateral permanezca limpia durante el llenado y el funcionamiento. El usuario se deberá lavar y secar las manos antes de abrir y cerrar la tapa.

Uso y Cuidado

Limpeza del Tanque Lateral

- Retire y drene el Tanque Lateral.
- Si quedan residuos de agua en la unidad de la base del Tanque Lateral de la Opal, dé vuelta la base del Tanque Lateral de la Opal a fin de drenar el mismo.
- Retire y lave la tapa del Tanque Lateral de la Opal y la válvula con detergente para platos y agua caliente, según sea necesario. Asegúrese de que la tapa esté limpia luego de retirar y volver a colocar la misma de forma manual.
- Sólo retire la tuberías de desagüe cuando se encuentren cerca de un lavabo o balde, ya que retirar la tuberías de desagüe de la Opal o del Tanque Lateral de la Opal producirá el desagüe de cualquiera de estas unidades.

Instalación y Ubicación Correctas

El tanque lateral deberá ser instalado de forma nivelada con el frente de la Máquina de Pepitas de Hielo Opal, de modo que no bloquee las ventilaciones del flujo de aire de la Máquina de Pepitas de Hielo Opal. Es necesario apoyar el Tanque Lateral de la Opal en una superficie del mismo nivel que su Máquina de Pepitas de Hielo Opal. No eleve el Tanque Lateral de la Opal, ya que éste se podrá desbordar.

Para Eliminar Depósitos Minerales

Mezcle dos cuartos de galón de agua con dos cuartos de galón de vinagre, O use el Kit de Limpieza de la Opal. Limpie cualquier acumulación de minerales o depósitos visibles con esta solución. Si se encuentran depósitos presentes en el tanque, llénelo con esta solución y deje el mismo en remojo. Asegúrese de drenar y enjuagar el tanque completamente luego de la limpieza. Los depósitos difíciles de eliminar podrán requerir más de un tratamiento.

Soluciones de Problemas del Tanque Lateral

Si no fluye agua desde el Tanque Lateral hasta la Máquina de Hielo Opal:

Es posible que haya burbujas en la tubería conectada al tanque lateral de la opal o que no esté colocada de forma plana. Intente ajustar la tubería para permitir que el agua circule. Una vez que el agua comience a circular, normalmente no hará falta ningún otro ajuste.

Sonidos Normales

Es posible que su nueva máquina de hielo produzca sonidos que no sean conocidos. La mayoría de estos sonidos son normales. Las superficies duras como el piso, las paredes y las mesadas pueden amplificar estos sonidos. A continuación se describen los sonidos que pueden ser nuevos para usted y aquello que pueda estar creando dichos sonidos.

- **RUNRUNEO** – Al encender la Opal por primera vez, es posible que observe que el ventilador del condensador está girando.
- **PITIDO** – Cuando la bomba de agua es encendida por primera vez, es posible que esté seca o levemente ruidosa. Una vez llena de agua, el sonido se reducirá de forma significativa.
- **REPIQUETEEO** – Es posible que los sonidos de repiqueteo sean producidos desde el flujo del refrigerante. Estos sonidos deberían reducirse de forma significativa una vez que el sistema de refrigeración se encuentre estabilizado.
- **GORGOTEEO** – Cuando el sistema de refrigeración se apague, es posible que haya un gorgoteo breve cuando el refrigerante deje de circular.
- **ZUMBIDO** – El compresor es un motor. Produce un zumbido en un tono bajo mientras se encuentra en funcionamiento.
- **CLIC** – A medida que las pepitas de hielo son producidas, las mismas caen en el cajón de hielo. Las primeras pepitas producidas son las que mayor ruido hacen, ya que impactan contra el fondo del recipiente de hielo. A medida que el recipiente se llena, el ruido se reduce significativamente.
- **CHILLIDO** – Cuando sea necesario descongelar la Opal, podrá comenzar a realizar chillidos a medida que el hielo comience a acumularse en torno a los mecanismos. El ciclo de descongelación es automático, y podrá tomar entre 30 y 45 minutos. Durante este tiempo, el botón frontal no responderá.

Garantía Limitada de la máquina de pepitas de hielo Opal

GARANTÍA LIMITADA

GEAppliances.com

Tenga a mano su número de serie y su número de modelo cuando solicite servicio técnico. Llame al 1.866.907.6718 para preguntas de servicio.

| Por el período de: | GE Appliances Reemplazará: |
|---|--|
| Un Año A partir de la fecha de la compra original | Cualquier parte del acondicionador de aire que falle debido a defectos en los materiales o en la fabricación. Durante esta garantía limitada de un año , GE Appliances también proporcionará, sin costo alguno, toda la mano de obra y el servicio relacionado—para reemplazar partes defectuosas. |

Qué No Cubrirá GE Appliances:

- Viajes del servicio técnico hasta su ubicación.
- Instalación, entrega o mantenimiento inadecuados.
- Fallas del producto en caso de abuso, mal uso, o uso para propósitos diferentes al original o uso comercial.
- Reemplazo de fusibles de la casa o reinicio de disyuntores.
- Daño causado después de la entrega.
- Reemplazo de las bombillas de luz, si están incluidas.
- Daños ocasionados sobre el producto por accidente, incendio, inundaciones o catástrofes naturales.
- Daños incidentales o consecuentes causados por posibles defectos sobre este producto.
- Errores de software que pueden ser corregidos con una actualización a través de la Aplicación de Opal.
- Trabajo y otros costos para instalar y/o retirar el producto.

EXCLUSIÓN DE GARANTÍAS IMPLÍCITAS—Su único y exclusivo derecho es la reparación del producto, tal y como se indica en esta Garantía limitada. Cualquier garantía implícita, incluyendo las garantías implícitas de comerciabilidad o adecuación para un fin determinado, están limitadas a dos años o el período de tiempo más breve permitido por la ley.

Para la venta en los 50 Estados Unidos y el Distrito de Columbia únicamente: Para clientes de EE. UU. : esta garantía limitada se extiende al comprador original de los productos comprados para uso doméstico dentro de los EE. UU. En Alaska y Hawái, la garantía limitada no incluye los costos de envío de unidades.

Algunos estados no permiten la exclusión o las limitaciones de daños incidentales o consecuenciales. Esta garantía limitada da derechos legales específicos, y usted podría tener otros derechos que variarán de estado a estado. Para saber cuáles son sus derechos legales, consulte a la oficina de asuntos del consumidor local o la oficina del Attorney General en su localidad.

**Garante: GE Appliances, a Haier company
Louisville, KY 40225**

Grabe aquí su recibo. Se requiere facilitar prueba de la fecha de compra original para obtener un servicio bajo la garantía.

Soporte al Cliente

Registre su Electrodoméstico

¡Registre su electrodoméstico nuevo a través de Internet, según su conveniencia! Un registro puntual de su producto permitirá una mejor comunicación y un servicio más puntual de acuerdo con los términos de su garantía, en caso de surgir la necesidad. También puede enviar una carta en la tarjeta de inscripción preimpresa que se incluye con el material embalado.

En EE.UU.: GEAppliances.com/register o visite myopalservice.com para enviar una solicitud de servicio

Contáctenos

Si no se encuentra satisfecho con el servicio que recibió de GE Appliances, comuníquese con nosotros a través de nuestro sitio Web con todos los detalles, incluyendo su número telefónico, o escriba a:

En EE.UU.: General Manager, Customer Relations | GE Appliances, Appliance Park | Louisville, KY 40225

GEAppliances.com/contact

En Canada: Director, Consumer Relations, MC Commercial Inc. | Suite 310, 1 Factory Lane | Moncton, N.B. E1C 9M3

GEAppliances.ca/en/contact-us