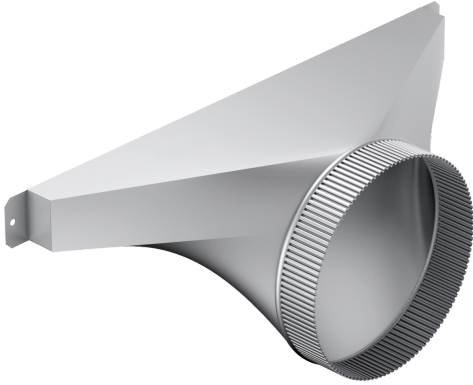


installation accessory
HDDSTRAN8



8" Round Transition Enable Ducting To Be At Sides Or Rear Of Downdraft For Flexible Configurations To Maximize Your Kitchen Design

- Customize The Direction Of Duct Discharge To Be Left, Right, Or Rear
- Rectangular 1-7/8" x 19" Transition To 8" Round
- Ability To Use With Ducting Or Elbows With 8" Round Duct Connection
- Some Blower Positions May Need Deeper Cabinets. See Installation Guide
- For DHG602DUC Flexible Downdraft Blower Used As Inline Installation



4 242002 909363

installation accessory HDDSTRAN8

8" Round Transition Enable Ducting To Be At Sides Or Rear Of Downdraft For Flexible Configurations To Maximize Your Kitchen Design

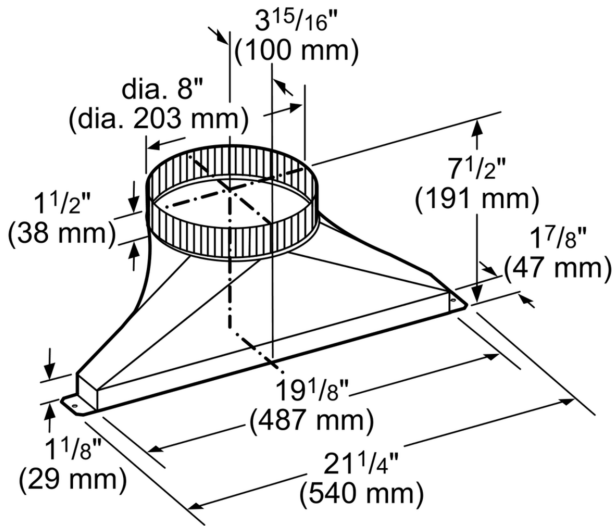
Design

- Customize The Direction Of Duct Discharge To Be Left, Right, Or Rear
- Rectangular 1-7/8" x 19" Transition To 8" Round
- Ability To Use With Ducting Or Elbows With 8" Round Duct Connection
- Some Blower Positions May Need Deeper Cabinets. See Installation Guide

Performance

- For DHG602DUC Flexible Downdraft Blower Used As Inline Installation
- See Installation Guide For Details

installation accessory
HDDSTRAN8



measurements in inches (mm)