

LUTD4919SN

LG SIGNATURE Slide-In Double Oven

LG SIGNATURE

KEY FEATURES

- 7.3 cu.ft. Total Capacity
- ProBake Convection®
- Dual Fuel (Gas Range & Electric Oven)
- EasyClean® Technology
- 18.5K Power Burner
- Stainless Steel Touch Control
- Textured Steel™
- Wi-Fi Enabled



PRODUCT FEATURES

CAPACITY	
Total Oven Capacity (cu. ft.)	7.3
Upper Oven Capacity (cu. ft.)	3.0
Lower Oven Capacity (cu. ft.)	4.3
UPPER OVEN FEATURES	
Configuration	Dual Fuel Double Slide-In
Broil Element (Watt)	Charcoal 3,000W (Infrared Heating™)
Bake Element (Watt)	2,400W / 4 Pass (Exposed Bake)
Oven Cooking	Conventional
Oven Cooking Modes	Bake, Speed Broil, Delayed Timed Cook, Timed Cook, EasyClean, SelfClean, Remote Start
Oven Control Features	Metal Touch
EasyClean®	Yes
Self Clean	Yes
GoCook Smart Oven Light	Yes (1 Light)
No. of Rack Positions	2
Door Lock	Yes
Automatic Safety Shut-Off	After 12 hours
LOWER OVEN FEATURES	
Broil Element (Watt)	3,800W / 6 Pass
Bake Element (Watt)	-
Convection Element (Watt)	2,500W / 2 Turn (ProBake Convection®)
Convection Conversion	Yes
Convection System/Mode/Cooking System	ProBake Convection®
Oven Cooking Modes	Bake, Conv. Bake, Conv.Roast, Broil, Warm, Proof, Delayed Timed Cook, Timed Cook, EasyClean, Selfclean, Remote Start
Oven Control Features	Metal Touch
EasyClean®	Yes
Self Clean	Yes
GoCook Smart Oven Light	Yes (1 Light)
No. of Rack Positions	4
Door Lock	Yes
Automatic Safety Shut-Off	After 12 hours
COOKTOP	
Burner / BTU	
Left Rear (BTU)	9,100/9,100
Right Rear (BTU)	5,000/5,000
Left Front (BTU)	12,000/10,000
Right Front (BTU)	18,500 / 12,500 (UltraHeat™)
Center (BTU)	10,000 (Oval-Burner) / 10,000
Burner Simmer / BTU	
Left Rear (BTU)	1,100
Right Rear (BTU)	650
Left Front (BTU)	1,200
Right Front (BTU)	1,330
Cooktop Finish	Stainless Steel
Hot Surface LED Indicator	No

CONTROL	
Cooktop Control Type	Front Rectangle - Knobs
Oven Control Type	Metal Touch + Knob
Display	VFD / White
Language	English
Smart Function	Wi-Fi / Smart Buzzer
Clock	12 hr or 24 hr (option)
Temperature Unit of Measure	No
Cooking Complete Reminder Volume	Beeper (Hi, Lo, Off)
Certified Sabbath Mode	No
APPEARANCE	
Available Colors	Textured Steel™
Handle/Knobs	Stainless Steel
Oven Door Feature	WideView™ Window
DIMENSIONS/CLEARANCES/WEIGHT	
Shipping Weight (lbs.)	256.8 lbs.
Product Weight (lbs.)	210.5 lbs.
Cabinet Width (in)	30"
Overall Depth (in) - including handle	28 15/16"
Overall Height (in) - including backguard	37 7/8"
Overall Width (in)	29 7/8"
Oven Interior Dimensions (Upper) (in) (W x H x D)	24 13/16" x 10 13/16" x 20"
Oven Interior Dimensions (Lower) (in) (W x H x D)	24 13/16" x 14 1/4" x 20"
Height to Cooking Surface (in)	36"
Drawer Dimensions (in) (W x H x D)	24 13/16" x 14 1/4" x 20"
Carton Dimensions (in) (W x H x D)	32 1/2" x 44" x 30 1/2"
POWER/RATINGS	
Amp at 208V / 240V	25A / 28.8A
kW at 208V / 240V	5.2kW / 6.9kW
ACCESSORIES	
Gridle Plate	Yes
Gliding Rack	1
Heavy Duty Rack	2
Offset Rack	Yes
Wok Grate	Yes
Conversion Kit	Yes
LIMITED WARRANTY	
Limited Warranty	1 Year Parts & Labor
UPC CODES	
LUTD4919SN (Textured Steel™)	048232335408

LUTD4919SN

LG SIGNATURE Slide-In Double Oven

QUICK INSTALL & CLEARANCES

For full installation directions/clearances please refer to the corresponding User Manual and Installation Guide.

DIMENSIONS

Cabinet Width (in)	30"
Overall Depth (in) - including handle	28 15/16"
Overall Height (in) - including backguard	37 7/8"
Overall Width (in)	29 7/8"
Upper Oven Interior Dimensions	24 13/16" x 10 13/16" x 20"
Lower Oven Interior Dimensions	24 13/16" x 14 1/4" x 20"
Height to Cooking Surface (in)	36"
Drawer Dimensions (in) (W x H x D)	24 13/16" x 14 1/4" x 20"
Carton Dimensions (in) (W x H x D)	32 1/2" x 44" x 30 1/2"

POWER/RATINGS

Amp at 208V / 240V	25A / 28.8A
kW at 208V / 240V	5.2kW / 6.9kW

CONNECTING THE RANGE TO GAS

Shut off the range gas supply valve before removing the old range and leave it off until the new hook-up has been completed.

Because hard piping restricts movement of the range, a CSA International-certified flexible metal appliance connector should be used unless local codes require a hard-piped connection.

A manual valve shall be installed in an accessible location in the gas piping external to the appliance for the purpose of turning on or shutting off gas to the appliance.

Never reuse an old connector when installing a new range.

To protect against gas leaks, use a qualified pipe joint sealant on all external threads.

- Install a male 1/2" or 3/4" flare union adapter to the NPT internal thread of the manual shut-off valve, taking care to back-up the shut-off valve to keep it from turning.

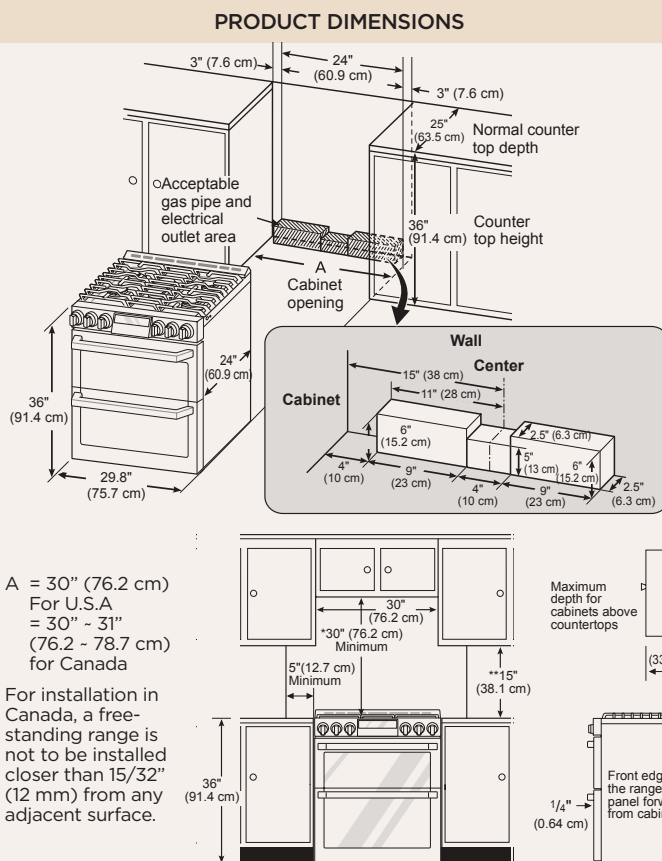
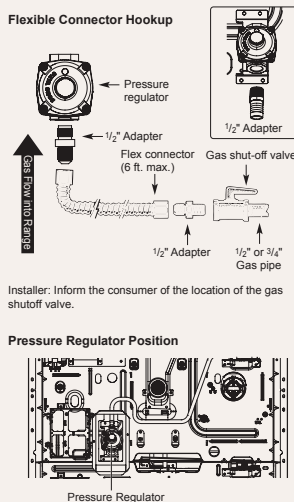
- Install a male 1/2" flare union adapter to the 1/2" NPT internal thread at the inlet of the pressure regulator. Use a backup wrench on the pressure regulator fitting to prevent damage.

- Connect a flexible metal appliance connector to the adapter on the range. Position the range to permit connection at the shut-off valve.

- When all connections have been made, be sure all range controls are in the Off position and turn on the main gas supply valve. Gas leaks may occur in your system and create a hazard. Gas leaks may not be detected by smell alone.
- Check all gas connection joints and fittings for leaks with a non-corrosive leak detection fluid, then wipe off.
- Gas suppliers recommend you purchase and install a UL approved gas detector. Install and use in accordance with the installation instructions.

WARNING

- Do not use a flame to check for gas leaks.
- Isolate the range from the gas supply system by closing its individual shut-off valve during any pressure testing of the gas supply system at test pressures equal to or less than 1/2" psig (3.5 kPa).



- A = 30" (76.2 cm)
For U.S.A
= 30" - 31"
(76.2 - 78.7 cm)
for Canada
- For installation in Canada, a free-standing range is not to be installed closer than 15/32" (12 mm) from any adjacent surface.

Minimum Dimensions

- 30" (76.2 cm) minimum clearance between the top of the cooking surface and the bottom of an unprotected wood or metal cabinet; or 24" (60.9 cm) minimum when bottom of wood or metal cabinet is protected by not less than 1/4" (0.64 cm) flame retardant millboard covered with not less than no. 28 MSG sheet steel, 0.015" (0.381 mm) stainless steel, 0.024" (0.610 mm) aluminum or 0.020" (0.508 mm) copper.
- 15" (38.1 cm) minimum between countertop and adjacent cabinet bottom.

CONNECTING ELECTRICITY - ELECTRICAL REQUIREMENTS

This appliance must be installed and grounded on a branch circuit by a qualified technician in accordance with the National Electrical code ANSI/NFPA NO. 70 - latest edition.

All wiring should conform to Local and NEC codes. This range requires a single-phase, 3 wire, A.C 120/208 V or 120/240 V 60 Hz electrical system. Use only a 3-conductor or a 4-conductor UL - listed range cord with closed-loop terminals, open-end spade lugs with upturned ends or similar termination. Do not install the power cord without a strain relief.

A range cord rated at 40 amps with 120/208 or 120/240 minimum volt range is required. If a 50 amp range cord is used, it should be marked for use with 13/8" diameter connection openings. This appliance may be connected by means of a conduit or power cord. If a conduit is being used, go to page 23 for 3 wire conduit connections or 4 wire conduit connections

Specified power-supply-cord kit rating

Range rating, watts	Specified rating of power supply-cord kit, amperes	Diameter (inches) of Range connection Opening	
		Power cord	Conduit
120/240 volts	120/208 volts	40 or 50A	1 3/8"
3-wire	3-wire		
8,750 - 16,500	7,801 - 12,500	50	1 3/8"
16,501 - 22,500	12,501 - 18,500		

3, 4 - Wire electrical wall Receptacle

4 Wire receptacle (14-50R)

3 Wire receptacle (10-50R)

WARNING

- Allow 2 to 3 ft (61.0 cm to 91.4 cm) of slack in the line so that the range can be moved if servicing is ever necessary.
- The power supply cord and plug should not be modified. If it will not fit the outlet, have a proper outlet installed by a qualified electrician.
- Using an extension cord to connect the power is prohibited. Connect the power cord and plug directly.
- Electrical ground is required on this appliance.
- Make sure that the power cord is not pinched by the range or heavy objects. Failure to do so can result in serious burns or electrical shock.
- Do not use a damaged power plug, power cord, or loose power outlet.
- Do not put a fuse in a neutral or ground circuit.
- Do not connect the ground wire to plastic plumbing lines, gas lines, or hot water pipes.