



**BOSCH**

**Register** your  
appliance and join  
the Bosch  
family of perks:  
[bosch-home.com/us/  
mybosch](https://bosch-home.com/us/mybosch)



# Hood

**DUH80553UC DUH86553UC DUHP0853UC DUHP6853UC**

<b>[en-us]</b> Installation Instructions	Hood	2
<b>[fr-ca]</b> Instructions d'installation	Hotte	14
<b>[es-mx]</b> Instrucciones de instalación	Campana	27

## Table of contents

<b>1 IMPORTANT SAFETY INSTRUCTIONS.....</b>	<b>3</b>
1.1 Safety definitions.....	3
1.2 General information.....	3
1.3 General safety instructions.....	3
1.4 Safety codes and standards.....	4
1.5 State of California Proposition 65 Warnings .....	5
<b>2 Before you begin.....</b>	<b>6</b>
2.1 Parts included .....	6
2.2 Tools and parts needed .....	6
2.3 Important notes .....	6
<b>3 Installation requirements and clearances.....</b>	<b>7</b>
3.1 Appliance dimensions .....	7
3.2 Safety clearances .....	7
3.3 Appliance weight.....	7
3.4 Electrical requirements.....	7
<b>4 Preparing the installation .....</b>	<b>8</b>
4.1 Ductwork preparation .....	8
4.2 Preparing the appliance .....	9
<b>5 Installation instructions.....</b>	<b>10</b>
5.1 Kitchen cabinet types .....	10
5.2 Preparing the hood location .....	10
5.3 Installing the hood.....	11
5.4 Electrical wire connection.....	11
5.5 Installing the filters .....	12
5.6 800 / Benchmark® Series Recirculation Kit – HEZVEUD302 / HEZVEUD362 .....	12
<b>6 Installer checklist.....</b>	<b>12</b>
<b>7 Customer Service .....</b>	<b>13</b>
7.1 Model number (E-Nr.) and production number (FD) .....	13
7.2 Rating plate location.....	13
7.3 Product registration .....	13



# IMPORTANT SAFETY INSTRUCTIONS

## READ AND SAVE THESE INSTRUCTIONS

Read all of the instructions carefully before using the appliance. In order to reduce the risk of fire, electric shocks and personal injuries when using the appliance, follow the basic safety precautions, including the following safety instructions.

### 1.1 Safety definitions

Here you can find explanations of the safety signal words used in this manual.

#### **WARNING**

This indicates that death or serious injuries may occur as a result of non-observance of this warning.

#### **CAUTION**

This indicates that minor or moderate injuries may occur as a result of non-observance of this warning.

#### **NOTICE:**

This indicates that damage to the appliance or property may occur as a result of non-compliance with this advisory.

**Note:** This alerts you to important information and/or tips.

### 1.2 General information

All product manuals may be downloaded online at [www.bosch-home.com/us/owner-support/owner-manuals](http://www.bosch-home.com/us/owner-support/owner-manuals).

**INSTALLER:** Please leave these instructions with this unit for the owner.

**OWNER:** Please retain these instructions for future reference. Read all safety instructions before operating the appliance. Have the installer show you where the electric circuit breaker is located so you know how and where to turn off the electricity to the appliance.

### 1.3 General safety instructions



**WARNING:** If the information in this manual is not followed exactly, a fire or explosion may result causing property damage, personal injury or death.

- DO NOT store or use gasoline or other flammable vapors and liquids in the vicinity of this or any other appliance.
- WHAT TO DO IF YOU SMELL GAS
  - DO NOT try to light any appliance.
  - DO NOT touch any electrical switch.
  - DO NOT use any phone in your building.
  - Immediately call your gas supplier from a neighbor's phone. Follow the gas supplier's instructions.
  - If you cannot reach your gas supplier, call the fire department.
- Installation and service must be performed by a qualified installer, service agency or the gas supplier.

#### **WARNING**

Turn off power circuit at service panel and lock out panel before wiring this appliance. Requirement: 120 VAC, 60 Hz, 15 A or 20 A for some models. Allow the appliance to cool after the power has been turned off before servicing the appliance.

#### **WARNING**

Automatically operated device

- ▶ To reduce the risk of injury disconnect from power supply before servicing.

#### **WARNING**

TO REDUCE THE RISK OF FIRE, ELECTRIC SHOCK, OR INJURY TO PERSONS, OBSERVE THE FOLLOWING:

- ▶ Use this unit only in the manner intended by the manufacturer. If you have questions, contact the manufacturer.
  - "Customer Service", Page 13
- ▶ Before servicing or cleaning the unit, switch power off at service panel and lock service panel. This will prevent power from being switched on accidentally.



# IMPORTANT SAFETY INSTRUCTIONS

## READ AND SAVE THESE INSTRUCTIONS

When the service panel cannot be locked, securely fasten a prominent warning device, such as a tag to the service panel.

Do not repair, replace or remove any part of the appliance unless specifically recommended in the manuals.

Improper installation, service or maintenance can cause injury or property damage.

- ▶ Refer to this manual for guidance.
- ▶ All other servicing should be done by an authorized service provider.

### WARNING



#### ELECTRIC SHOCK HAZARD

- ▶ Disconnect power before installing or servicing. Before turning power ON, be sure that all controls are in the OFF position.
- ▶ DO NOT remove connections.
- ▶ DO NOT use an extension cord.
- ▶ Improper grounding can result in a risk of electric shock.
- ▶ Failure to follow these instructions can result in death, fire, or electrical shock.

### GROUNDING INSTRUCTIONS

- ▶ This appliance must be grounded.
- ▶ Grounding reduces the risk of electric shock by providing a safe pathway for electric current in the event of a short circuit.
- ▶ Be sure your appliance is properly installed and grounded by a qualified technician.
- ▶ Installation, electrical connections and grounding must comply with all applicable codes.
- If required by the National Electrical Code (or Canadian Electrical Code), this appliance must be installed on a separate branch circuit.

### WARNING

To reduce the risk of fire or electric shock, do not use this appliance with any solid-state speed control device.

### WARNING

**TO REDUCE THE RISK OF FIRE, ELECTRIC SHOCK, OR INJURY TO PERSONS, OBSERVE THE FOLLOWING.**

- ▶ Installation work and electrical wiring must be done by qualified person(s) in accordance with all applicable codes and standards, including fire-rated construction.

- ▶ Sufficient air is needed for proper combustion and exhausting of gases through the flue (chimney) of fuel burning equipment to prevent back drafting. Follow the heating equipment manufacturer's guideline and safety standards such as those published by the National Fire Protection Association (NFPA), and the American Society for Heating, Refrigeration and Air Conditioning Engineers (ASHRAE), and the local code authorities.
- ▶ When cutting or drilling into wall or ceiling, do not damage electrical wiring and other hidden utilities.
- ▶ Ducted fans used to exhaust contaminants must always be vented to the outdoors.
- ▶ **USE ONLY METAL DUCTWORK.**
- ▶ **DO NOT** vent exhaust air in spaces with walls or ceilings or into attics, crawl spaces or garages.

### CAUTION

For general ventilating use only.

- ▶ To avoid a fire or explosion hazard, do not use to exhaust hazardous or explosive materials and vapors.

### WARNING

Never modify or alter the construction of the appliance.

### WARNING

Remove all tape and packaging before using the appliance.

- ▶ Dispose of packaging in an environmentally responsible manner.
- ▶ Never allow children to play with packaging material.

### WARNING



Unit is heavy and requires at least two people or proper equipment to move and install.

### WARNING



Hidden surfaces may have sharp edges.

- ▶ Use caution when reaching behind or under appliance.

### CAUTION

An outside fan is to be mounted behind louvers or in a location where the entrance of drawn in water is unlikely.

## 1.4 Safety codes and standards

This appliance complies with the latest version of one or more of the following standards:

- UL 507 - Electric Fans



# IMPORTANT SAFETY INSTRUCTIONS

## READ AND SAVE THESE INSTRUCTIONS

---

- CAN/CSA C22.2 No. 113 - Fans and Ventilators

It is the responsibility of the owner and the installer to determine if additional requirements and/or standards apply to specific installations.

### 1.5 State of California Proposition 65 Warnings

This product may contain a chemical known to the State of California, which can cause cancer or reproductive harm. Therefore, the packaging of your product may bear the following label as required by California:

**STATE OF CALIFORNIA PROPOSITION 65 WARNING:**



**WARNING**

Cancer and Reproductive Harm - [www.P65Warnings.ca.gov](http://www.P65Warnings.ca.gov)

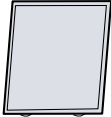
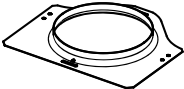
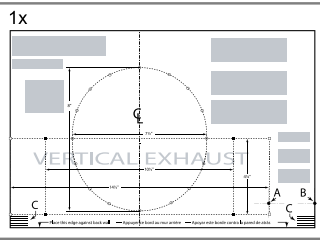

## 2 Before you begin

Read these instructions before you begin to install your appliance.

This Installation Instructions covers several models. All graphics are representative. Your appliance may vary in appearance and features.

### 2.1 Parts included

After unpacking all the parts, check for any damage in transit and for completeness of delivery.

2x		Grease filters (2)
1		8" Round duct connector (1)
1x		Template for ducting (1) (Printed on both sides)
6x		No. 8 x 5/8" RD.HD. wood screws (6) (located in parts bag inside the hood)
		1/2" strain relief (located in parts bag inside the hood)

**IMPORTANT:** DO NOT throw away any packaging until appliance is fully installed.

### 2.2 Tools and parts needed

Prepare these tools and accessories before you start to install your appliance.

- Measuring tape
- Pencil
- Level
- Safety gloves
- Flathead screwdriver no. 2
- Nutdriver or socket 1 1/2"
- Drill with bit 1/8"
- 1 1/2" hole saw
- 7" round duct plate (for 7" round vertical ducting installation)
- Damper (for 7" round vertical ducting installation)
- Wire stripper
- Round back draft damper
- Ducting as needed
- Wood shims (2)
- Wood screws (2)

#### For ducted installation only:

- Saw (saber or keyhole)
- Metal snips (some applications)
- Pliers
- Aluminum tape (DO NOT use insulating or cloth duct tape)
- Scissors

#### For recirculation mode:

- Odor filters
- Recirculation kit

### 2.3 Important notes

#### ⚠ WARNING

Improper installation of gas appliances and ventilation hoods can create a risk for carbon monoxide which can be harmful. To reduce the risk of carbon monoxide poisoning, ensure the gas appliance is properly installed according to the manufacturer's instructions, as well as ensuring the hood is vented to the outside for proper exhausting of gases or fumes.

- Gas cooking appliances release carbon monoxide that can be harmful or fatal if inhaled. To reduce the risk of fire and to properly exhaust air, the exhaust gases extracted by the hood should be vented outside of the building only.
- Consult local building codes for requirements or restrictions related to installation of ventilation products in recirculation mode.
- Hood installation height above a cooktop, rangetop or range can vary. To obtain the necessary installation height above a cooktop, rangetop or range, consult the appliance's installation manual or combination matrix.

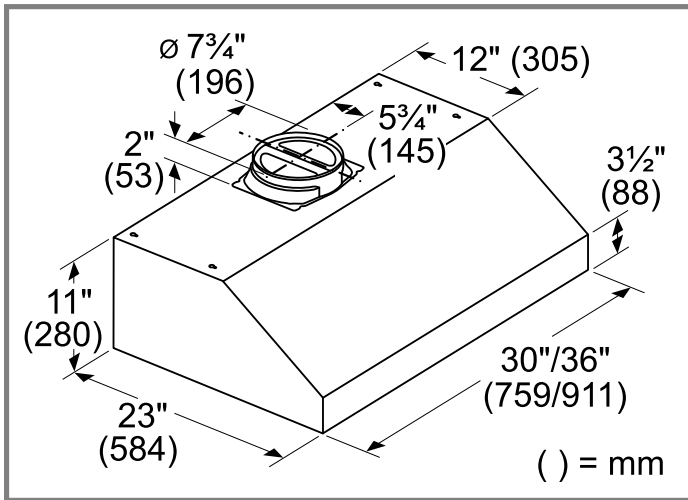
#### NOTICE:

The hood can be damaged from excessive heat if a range or rangetop is operated with multiple burners at high settings under a hood that is installed at minimum clearances and is turned off.

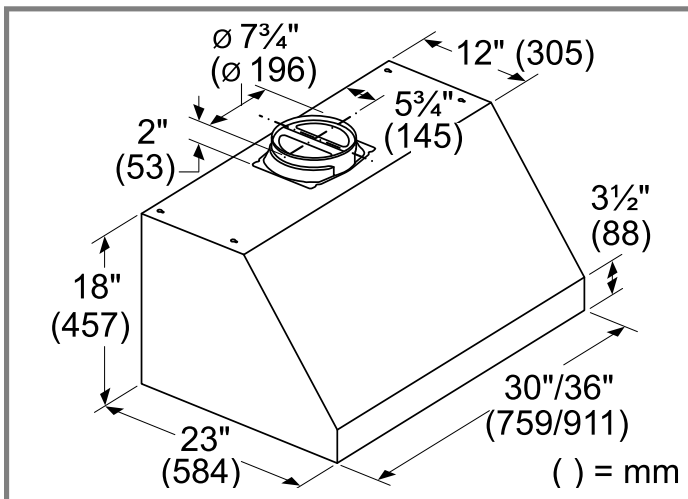
### 3 Installation requirements and clearances

#### 3.1 Appliance dimensions

DUH80553 / DUH86553



DUHP0553 / DUHP6553



**IMPORTANT:** The hood needs to be centered over the cooking surface for best performance.

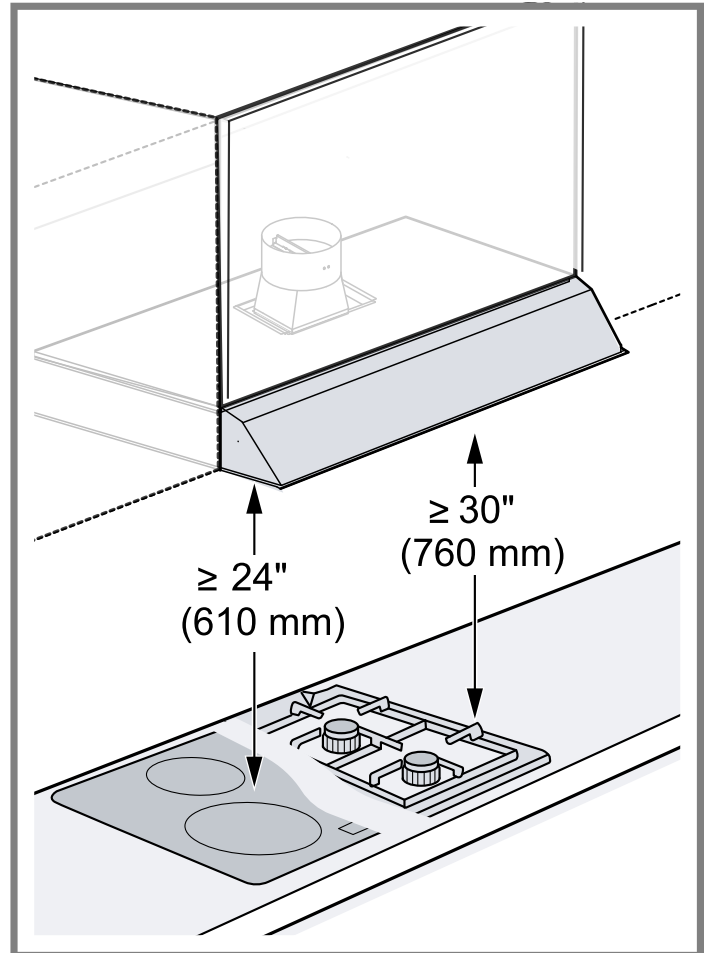
#### 3.2 Safety clearances

Comply with the safety clearances for the appliance.

##### **⚠ WARNING**

Grease deposits in the grease filter may catch fire. The specified safety distances must be observed in order to prevent an accumulation of heat.

- ▶ The distance between hood and cooking surface must be a minimum of 24" above electric cooktops, and a minimum of 30" above gas cooktops.
- ▶ Observe the specifications for your cooking appliance. If gas and electric cooktops are operated together, the largest specified distance applies.



#### 3.3 Appliance weight

Make sure the cabinet supports the weight of the appliance.

Model	Weight
DUH80553UC	42 lbs (19 kg)
DUH86553UC	45 lbs (20.5 kg)
DUHP0853UC	51 lbs (23.2 kg)
DUHP6853UC	54 lbs (24.5 kg)

#### 3.4 Electrical requirements

##### **⚠ WARNING**

This appliance must be properly grounded.

- The appliance requires a 120V AC, 60Hz, 15A branch circuit.
- The appliance should only be connected to a dedicated circuit (with ground) that has been installed according to relevant regulations.
- Check your local building codes for proper method of installation. This appliance should be installed in accordance with applicable local codes or, in the absence of local codes, with the National Electrical Code, NFPA 70 or the Canadian Electric Code, CSA C22.1-02.
- **Electrical data:**

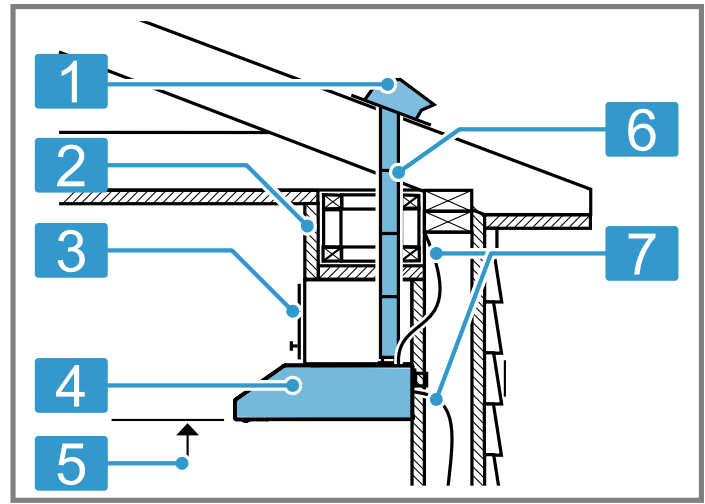
Refer to the rating plate for product data, including the model and serial number.

→ "Rating plate location", Page 13

## 4 Preparing the installation

### 4.1 Ductwork preparation

- This appliance may be vented vertically to the outside.
- Proper performance is dependent upon proper ducting. Local building codes may require the use of make-up air systems when using ducted ventilation systems greater than specified cubic feet per minute (CFM) of air.
- **DO NOT USE FLEXIBLE DUCT**; it creates back pressure/air turbulence and reduces performance.
- Always install a metal vent cover where the ductwork exits the house.
- **COLD WEATHER** installations should have an additional backdraft damper installed to minimize backward cold air flow and a nonmetallic thermal break to minimize conduction of outside temperatures as part of the ductwork. The damper should be on the cold air side of the thermal break. The break should be as close as possible to where the ducting enters the heated portion of the house.
- **MAKE-UP AIR:** Local building codes may require the use of make-up air systems when using ducted ventilation systems greater than specified CFM of air movement. The specified CFM varies from locale to locale. It is the responsibility of the owner and the installer to determine if additional requirements and/ or standards apply to specific installations.
- To reduce risk of fire and to properly exhaust air, be sure to duct air outside. Do not vent exhaust air in spaces with walls or ceilings or into attics, crawl spaces or garages.
- Keep duct runs as short and straight as possible. Elbows and transitions fittings reduce air flow efficiency. Back to back elbows and "S" turns give very poor delivery and are not recommended.



- |   |  |
|---|--|
| 1 | Roof cap   |
| 2 | Soffit   |
| 3 | Cabinet  |
| 4 | Hood   |
| 5 | Distance above cooking surface: <ul style="list-style-type: none"> <li>■ min. 24" over electric cooktops</li> <li>■ min. 30" above gas cooktops</li> </ul> |
| 6 | Vertical discharge   |
| 7 | House wiring (top or back of hood)   |

### Installing the ductwork

Follow these instructions for ducted installations.

1. The hood can be connected with vertical discharge direction with an 8" round duct plate.
2. Determine where the ductwork will run between the hood and the outdoors.
  - The ducting from the hood to the outside of the building has a strong effect on the air flow, noise and energy use of the hood.
  - Use the shortest, straightest duct routing possible for best performance.
  - Avoid installing the hood with smaller ducts than recommended.
  - Insulation around the ducts can reduce energy loss and inhibit mold growth.
  - Connecting the hood to existing ducts may not achieve its rated airflow.
  - Refer to the table on duct length to help you plan the most efficient installation.
3. Install a wall cap or roof cap (sold separately); ensure there is no leak in house insulation.
4. Connect metal ductwork to the roof cap or wall cap and work back towards the hood location. Use 2" metal foil duct tape to seal the joints between ductwork sections.

### Recommended maximum duct length

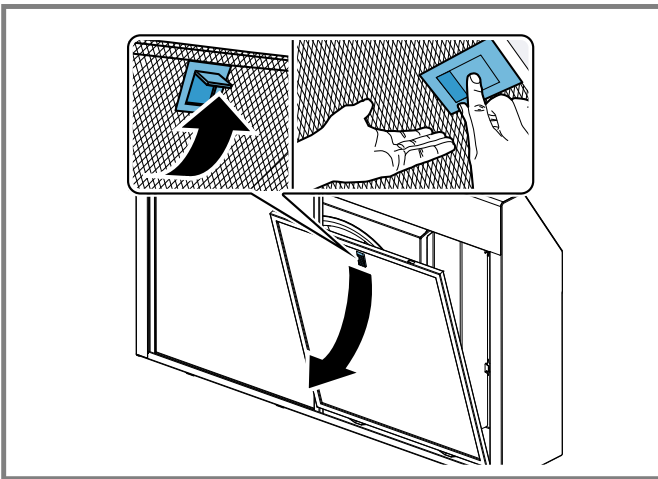
Follow these recommendations on duct length to achieve 80% exhaust efficiency.



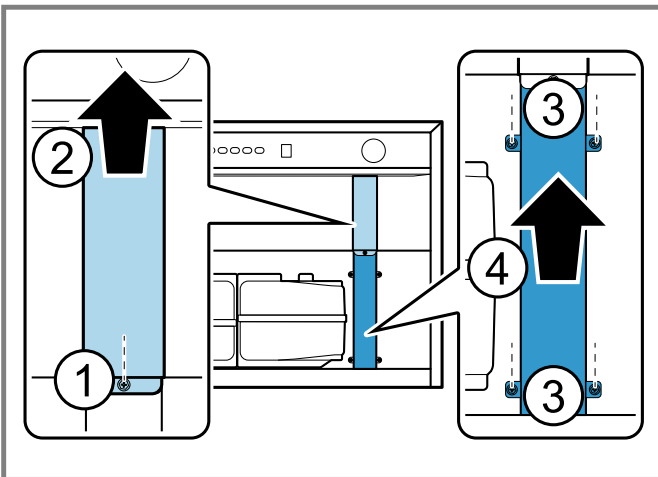
8" round duct vertical discharge maximum duct length	Roof or wall cap with damper	Elbow(s) 90° and/or 45° (Standard elbows with 1" internal radius)
92 ft.	1	0
78 ft.	1	1
62 ft.	1	2

## 4.2 Preparing the appliance

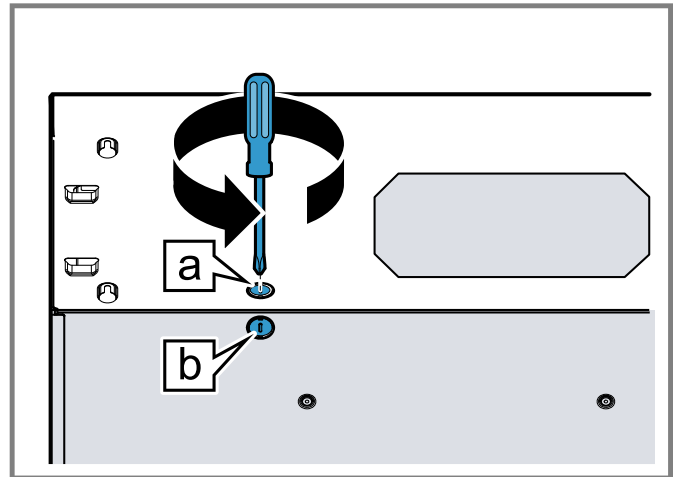
- Remove all packaging and protective film from the hood and parts.
- Remove the grease filters from the hood.
  - Open the filter latch, then push the filter down ① and tilt it out ②.



- Remove the wire covers.
  - Remove the screw where the two wire cover pieces come together.
  - Remove the wire cover from the sloped part of the hood.
  - Remove the 4 screws from the remaining wire cover and lift off the wire cover.



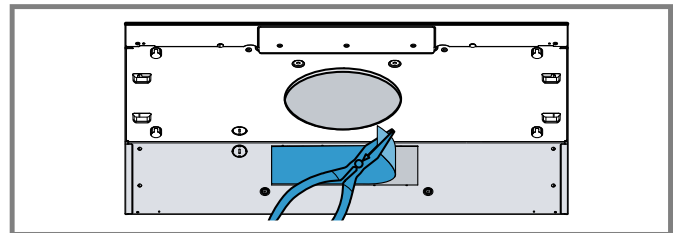
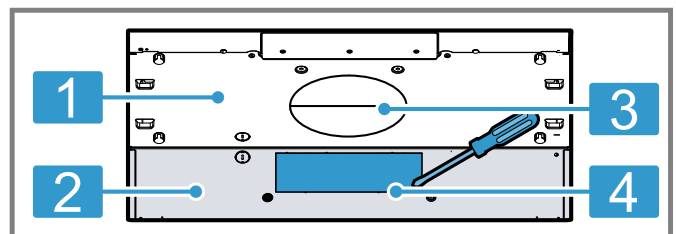
- Remove the electrical power cable knockout from the hood. Remove the top knockout [a] for vertical wiring, or the back knockout [b] for horizontal wiring. Install an appropriate 1/2" strain relief (not included).



## Installing the damper assembly

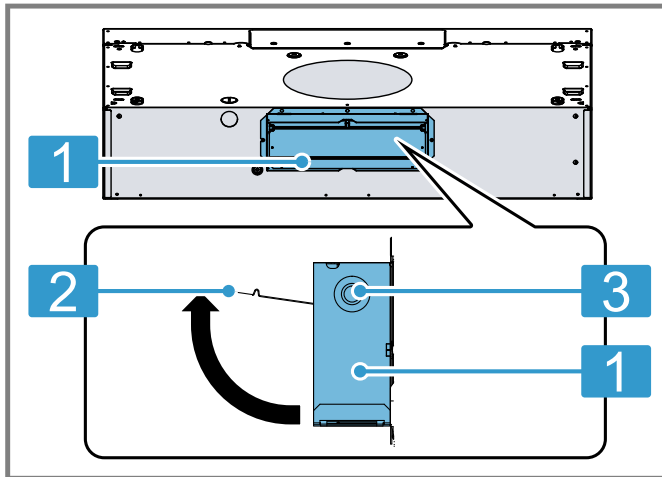
These steps only need to be carried out for ducted installation.

- Depending on the required discharge direction, remove the knockout plate on the top or at the back of the hood.



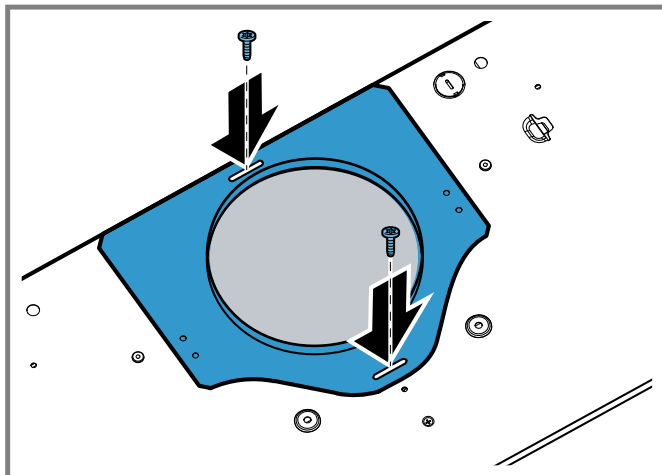
- Top of hood
- Back of hood
- Round knockout plate for vertical discharge
- Rectangular knockout plate for horizontal discharge

2. **For horizontal ducting with a rectangular duct at back of hood:** Attach the rectangular damper assembly or the round duct plate over the knockout opening, depending on your installation type. Refer to the following images.



- 1 Damper assembly
- 2 Damper flap  
When installed, the damper flap needs to open as shown.
- 3 Damper flap pivot

3. **For vertical ducting with a round duct at top of hood:** Install the round duct plate over the knockout opening using 2 screws from the parts bag.



To accommodate off-center ductwork, the round duct plate can be installed up to 1/2" on either side of the hood center.

**Note:** Insert a small length of duct over the rectangular damper assembly or the round duct plate and seal the joint using aluminum foil duct tape to ease connection with the house ductwork.

## 5 Installation instructions

Observe this information when installing the appliance.

### ⚠ WARNING

Before installing, turn power OFF at the service panel.

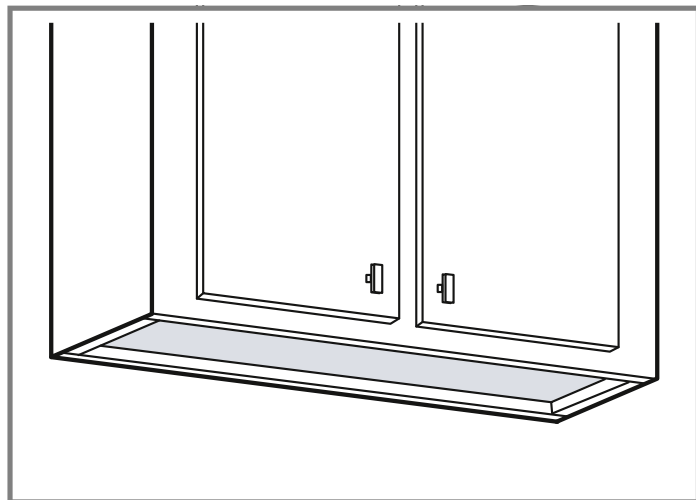
- ▶ Lock service panel to prevent power from being turned ON accidentally.

### 5.1 Kitchen cabinet types

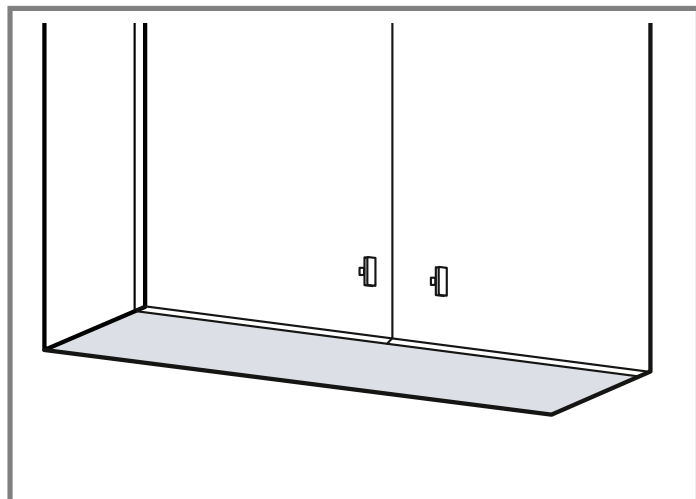
Identify your type of kitchen cabinet before you start installation.

Check the bottom of the kitchen cabinet where you want to install your hood.

#### Framed cabinet



#### Frameless cabinet



### 5.2 Preparing the hood location

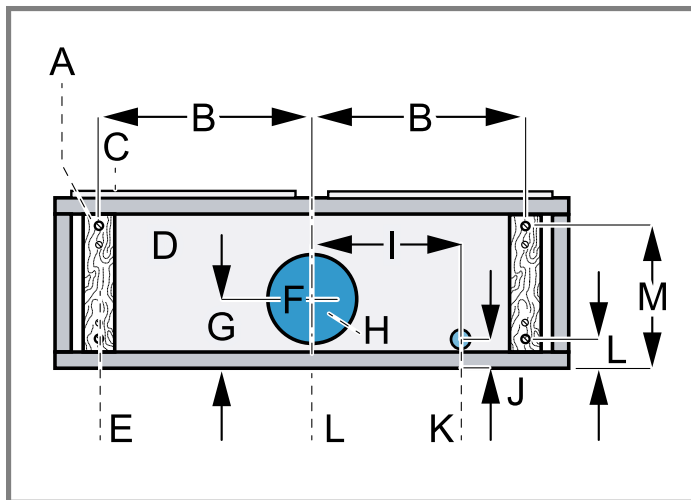
1. Use the proper diagram for placement of ductwork and electrical cutout in the cabinet or wall. For a non-ducted installation, DO NOT cut a duct access hole, only cut the hole for electrical wiring.  
→ "Installation dimensions", Page 11

2. Install part-way four (4) round head no. 8 x 5/8" mounting screws into shims or cabinet, according to the proper diagram.

The mounting screws are included in the parts bag, but wood shims and shim mounting screws are not included.

### Installation dimensions

Refer to the measurements given below for your installation situation.



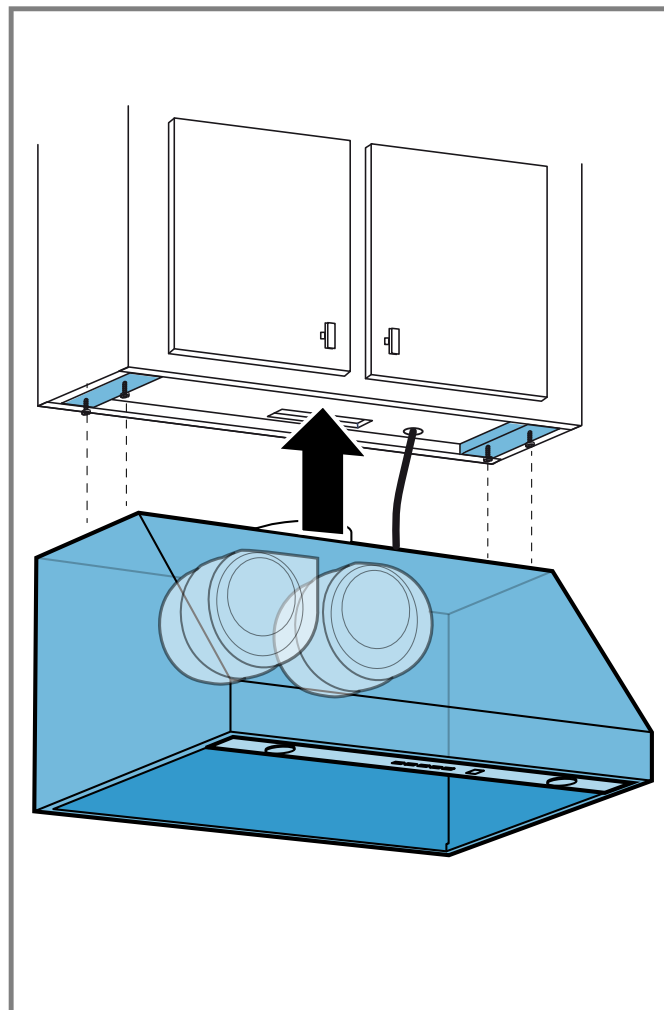
#### 8" Round vertical ducting

⌀	Center line
A	Hood mounting screws (4)
B	<ul style="list-style-type: none"> <li>▪ <b>30" hoods:</b> 12 7/8" (327 mm)</li> <li>▪ <b>36" hoods:</b> 15 7/8" (404 mm)</li> </ul>
C	Cabinet front
D	Cabinet bottom
E	Wood shims (framed cabinet bottoms only)
F	8" round duct access hole
G	4 1/16" (119 mm)
H	8" diameter hole
I	7 3/16" (183 mm)
J	1 3/8" (35 mm)
K	Electrical access hole (in cabinet bottom)
L	1 1/2" (38 mm)
M	10 15/16" (278 mm)

### 5.3 Installing the hood

1. Run the house power cable between the service panel and the hood location. Run the house power cable into the hood through the strain relief previously installed.  
→ "Preparing the appliance", Page 9

2. Hang the hood from (4) mounting screws previously installed. Slide the hood back towards the wall until the mounting screw heads are engaged in the narrow end of the keyhole slots in the top of the hood. Tighten the screws securely.



3. Attach the power cable to the hood using the strain relief.
4. Connect the ductwork to the hood and use metal foil duct tape to make joints secure and air-tight.  
Make sure the damper assembly or round duct plate enters the ductwork and that the damper opens and closes freely.

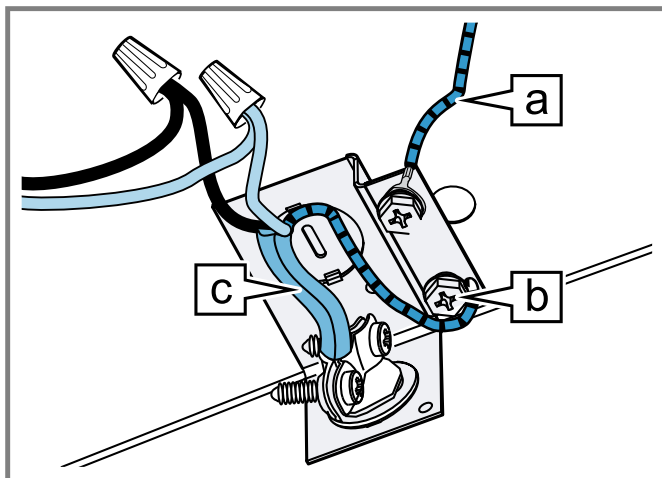
### 5.4 Electrical wire connection

#### ⚠ WARNING

Risk of electric shock.

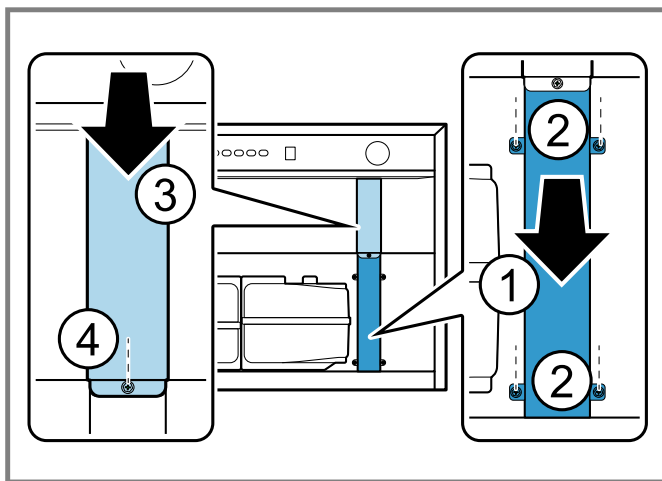
- ▶ Electrical wiring must be done by qualified personnel in accordance with all applicable codes and standards. Before installing, turn power OFF at the service panel.
- ▶ Lock service panel to prevent power from being turned ON accidentally.

1. Connect the house power cable to the hood wiring:
  - BLACK to BLACK
  - WHITE to WHITE
  - GREEN or bare wire under GREEN ground screw



- a** Motor ground wire
- b** Ground screw
- c** House power cable

2. Reinstall the second wiring cover with 4 screws, then reinstall the first wiring cover and fix it with the one screw where the two wiring covers come together.



### 5.5 Installing the filters

#### 1. Ducted installation only:

- Re-install the grease filters previously removed.  
→ "Preparing the appliance", Page 9

#### 2. Non-ducted installation only:

- Purchase 2 non-ducted filters from your local distributor or retailer. See rating plate for filter type.  
→ "Rating plate location", Page 13
- Attach the non-ducted filters following instructions included with the non-ducted filters.

### 5.6 800 / Benchmark® Series Recirculation Kit –HEZVEUD302 / HEZVEUD362

1. For hoods to be in recirculation mode some ductwork must be installed at either the top of the cabinet or at the face or side of a soffit to discharge the air back into the room.
2. Attach minimum 15" of metal ducting (not included) directly to the air duct connector.
3. Establish the connection to the opening on the cabinet or soffit.
4. If using an air guide grill (not included) screw the grill to the cabinet and attach duct to the grill.
5. Seal the joints with metal foil duct tape.
6. Installing recirculating–air mode filters
7. Remove the grease filters from the hood. Install a charcoal filter (included in the charcoal filter kit) on each metal grease filter back (A). Hold the charcoal filter in place by inserting both ends of 2 metal strips (included in the charcoal the charcoal filter kit) in each metal grease filter frame slot (B).
8. Reinstall the grease filters by simultaneously using your other hand to grasp under the metal grease filter up and snap the latch into place.
9. Improper installation of gas appliances and ventilation hoods can create a risk for carbon monoxide which can be harmful. To reduce the risk of carbon monoxide poisoning, ensure the gas appliance is properly installed according to the manufacturer's instructions, as well as ensuring the hood is vented to the outside for proper exhausting of gases or fumes. Refer to local building codes for latest requirements and restrictions when installing ventilation products in recirculation mode.

## 6 Installer checklist

### Final check

- Specified clearances maintained to cabinet surfaces.
- Appliance is level.
- All packaging material removed.
- Proper ground connection.
- Owner is aware of location of the main circuit breaker.
- INSTALLER:** Write the model number and serial number in the Use and Care Manual. Leave the Use and Care Manual and Installation Instructions with the owner of the appliance.

### To clean and protect exterior surfaces

- Clean the stainless steel surfaces by wiping with a damp soapy cloth. Rinse with clear water and dry with a soft cloth to avoid water marks. Remove fingerprints and smears with mild glass cleaner.

- To polish and protect stainless steel, apply a stainless steel conditioner with a soft cloth. The Thermador Stainless Steel Conditioner is available for purchase in the online accessories store (US only) [www.bosch-home.com/us/shop](http://www.bosch-home.com/us/shop).
- Do not use conditioner on non-steel surfaces, logos, control markings, labels, black or smudge-proof stainless steel, and appliance interiors.
- DO NOT allow deposits to remain for long periods of time.
- DO NOT use ordinary steel wool or steel brushes. Small bits of steel may adhere to the surface causing rust.
- DO NOT allow salt solutions, disinfectants, bleaches or cleaning compounds to remain in contact with stainless steel for extended periods. Many of these compounds contain chemicals which could prove harmful. Rinse with water after exposure and wipe dry with a clean cloth.

### Troubleshooting

See the Use and Care Manual for troubleshooting information.

Refer to the Limited Product Warranty in the Use and Care Guide. Please be prepared with the information printed on your product data rating plate when calling.

## 7 Customer Service

With any warranty repair, we will make sure your appliance is repaired by an authorized service provider using genuine replacement parts. We use only genuine replacement parts for all repairs.

Detailed information on the warranty period and terms of warranty can be found in the Statement of Limited Product Warranty, from your retailer, or on our website.

If you contact Customer Service, you will need the model number (E-Nr.) and the production number (FD) of your appliance.

The LED light sources are available as a spare part and should only be replaced by an authorized service provider.

USA:

1-800-944-2904

[www.bosch-home.com/us/owner-support/get-support](http://www.bosch-home.com/us/owner-support/get-support)

[www.bosch-home.com/us/shop](http://www.bosch-home.com/us/shop)

CA:

1-800-944-2904

[www.bosch-home.ca/en/service/get-support](http://www.bosch-home.ca/en/service/get-support)

[www.bosch-home.ca/en/service/cleaners-and-accessories](http://www.bosch-home.ca/en/service/cleaners-and-accessories)

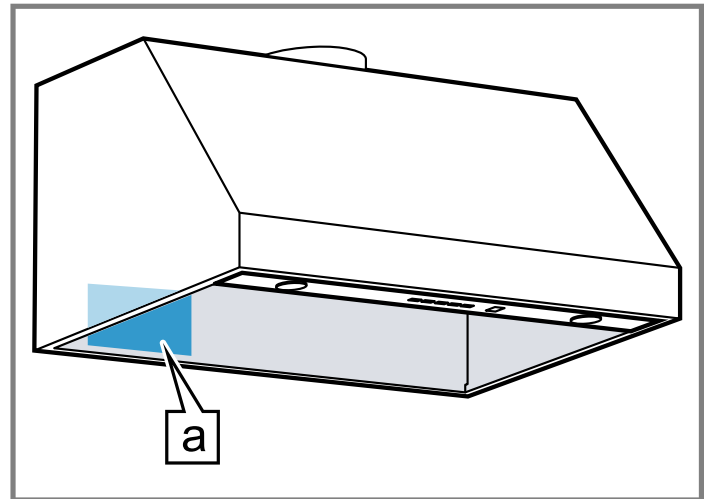
### 7.1 Model number (E-Nr.) and production number (FD)

You can find the model number (E-Nr.) and the production number (FD) on the appliance's rating plate.

Making a note of your appliance's details and the Customer Service telephone number will enable you to find them again quickly.

### 7.2 Rating plate location

The data rating plate is located on the frame behind the filter. Remove the filter to view it (see figure below for an example).



**a** Rating plate

### 7.3 Product registration

Register your Bosch product to access information related to your product.

You may register your product through one of the following ways:

- Register your product online at:
  - US: [www.bosch-home.com](http://www.bosch-home.com)
  - CA: [www.bosch-home.ca/en/service/get-support](http://www.bosch-home.ca/en/service/get-support)
- Mail in the completed product registration card to the address printed on the card.
- Scan the QR code with your smartphone and follow the prompts:



- Call Bosch Customer Service at 1-800-944-2904.

Please make sure to register your product; failure to register will not affect your warranty rights.

## Table des matières

<b>1 IMPORTANTES CONSIGNES DE SÉCURITÉ .....</b>	<b>15</b>
1.1 Définitions des termes de sécurité .....	15
1.2 Informations générales.....	15
1.3 Consignes générales de sécurité .....	15
1.4 Codes et normes de sécurité .....	17
1.5 Mises en garde conformément à la proposition 65 de l'État de Californie .....	17
<b>2 Avant de commencer.....</b>	<b>18</b>
2.1 Pièces incluses .....	18
2.2 Outils et pièces nécessaires.....	18
2.3 Notes importantes.....	18
<b>3 Exigences d'installation et dégagements .....</b>	<b>19</b>
3.1 Dimensions de l'électroménager .....	19
3.2 Dégagement de sécurité .....	19
3.3 Poids de l'électroménager .....	19
3.4 Exigences électriques .....	19
<b>4 Préparation pour l'installation.....</b>	<b>20</b>
4.1 Préparation des conduits .....	20
4.2 Préparation de l'appareil .....	21
<b>5 Directives d'installation.....</b>	<b>23</b>
5.1 Types d'armoires de cuisine.....	23
5.2 Préparation de l'emplacement de la hotte .....	23
5.3 Installation de la hotte .....	23
5.4 Connexion de fil électrique.....	24
5.5 Installation des filtres.....	24
5.6 800 / Benchmark™ Série Ensemble de recirculation –HEZVEUD302 / HEZVEUD362 .....	25
<b>6 Liste de contrôle de l'installateur .....</b>	<b>25</b>
<b>7 Service à la clientèle.....</b>	<b>25</b>
7.1 Numéro de modèle (E-Nr.) et numéro de fabrication (FD) .....	26
7.2 Emplacement de la plaque signalétique .....	26
7.3 Enregistrement de produit.....	26



# IMPORTANTES CONSIGNES DE SÉCURITÉ

## LIRE ET CONSERVER CES INSTRUCTIONS

Lisez attentivement toutes les instructions avant d'utiliser l'appareil. Afin de réduire les risques d'incendie, d'électrocution et de blessures corporelles lorsque vous utilisez l'appareil, suivez les précautions de base, et notamment les consignes de sécurité suivantes.

### 1.1 Définitions des termes de sécurité

Vous trouverez ici des explications sur les mots de signalisation de sécurité utilisés dans ce manuel.

#### **AVERTISSEMENT**

Signale un risque de mort ou de blessure grave si l'avertissement n'est pas respecté.

#### **MISE EN GARDE**

Signale un risque de blessures mineures ou modérées si l'avertissement n'est pas respecté.

#### **AVIS :**

Ceci indique que la non-conformité à cet avis de sécurité peut entraîner des dégâts matériels ou endommager l'appareil.

**Remarque :** Ceci vous signale des informations et/ou indications importantes.

### 1.2 Informations générales

Tous les manuels des produits peuvent être téléchargés en ligne à l'adresse [www.bosch-home.ca/fr/service/manuels-utilisateur](http://www.bosch-home.ca/fr/service/manuels-utilisateur).

**INSTALLATEUR :** Prière de laisser ces instructions d'installation avec cet appareil à l'intention du propriétaire.

**PROPRIÉTAIRE :** Prière de conserver ces instructions pour référence ultérieure. Lisez toutes les consignes de sécurité avant d'utiliser l'appareil. Demandez à l'installateur de vous montrer où se trouve le disjoncteur électrique afin que vous sachiez comment et où couper l'électricité de l'appareil.

### 1.3 Consignes générales de sécurité

#### AVERTISSEMENT



Si vous ne suivez pas rigoureusement les renseignements fournis dans le présent guide, des risques d'incendie ou d'explosion sont susceptibles de causer des dommages matériels, des blessures ou la mort.

- N'entreposez pas et n'utilisez pas d'essence ou d'autres produits inflammables sous forme de liquide ou de vapeur à proximité de la table de cuisson ou de tout autre appareil.
- SI VOUS DÉTECTEZ UNE ODEUR DE GAZ
  - N'allumez aucun appareil.
  - Ne touchez pas aux interrupteurs électriques.
  - N'utilisez pas les téléphones du bâtiment où vous trouvez.
  - Appelez immédiatement votre société gazière chez un voisin et suivez les instructions qu'elle vous donne.
  - Si vous n'arrivez pas à contacter votre société gazière, appelez le service d'incendie.
- L'installation et les travaux d'entretien doivent être réalisés par un installateur qualifié, un centre de réparation agréé ou une société gazière.

#### AVERTISSEMENT

Couper l'alimentation du circuit électrique au boîtier à fusibles ou des disjoncteurs et le verrouiller avant de câbler cet appareil électroménager. Exigence : 120 VAC, 60 Hz, 15 A ou 20 A pour certains modèles. Après la coupure de l'alimentation électrique, laisser refroidir l'appareil électroménager avant de procéder aux réparations.

#### AVERTISSEMENT

Dispositif à fonctionnement automatique

- Couper l'alimentation électrique avant toute réparation pour réduire le risque de blessure.



# IMPORTANTES CONSIGNES DE SÉCURITÉ

## LIRE ET CONSERVER CES INSTRUCTIONS

### AVERTISSEMENT

POUR RÉDUIRE LE RISQUE D'INCENDIE, D'ÉLECTROCUTION OU DE BLESSURES, RESPECTER LES INDICATIONS SUIVANTES :

- ▶ Utilisez cet appareil uniquement de la façon recommandée par le fabricant. Pour toutes questions, veuillez contacter le fabricant.  
→ "Service à la clientèle", Page 25
- ▶ Avant d'entretenir ou de nettoyer l'appareil, coupez l'alimentation au niveau du panneau de service et verrouillez le panneau de service. Cela empêchera la mise sous tension accidentelle. Lorsque le panneau de service ne peut pas être verrouillé, fixer un accessoire d'avertissement visible et adéquat, comme une étiquette, au panneau de service.

Ne pas réparer, remplacer ni retirer toute pièce de l'électroménager à moins que cela ne soit spécifiquement recommandé par les manuels. L'installation, les réparations ou l'entretien inadéquats pourraient causer des blessures ou des dégâts matériels.

- ▶ Consulter ce manuel pour les directives d'utilisation.
- ▶ Toutes les autres réparations doivent être effectuées par un prestataire de services agréé.

### AVERTISSEMENT



#### RISQUE D'ÉLECTROCUTION

- ▶ Débranchez l'alimentation avant l'installation ou l'entretien. Avant de rétablir l'alimentation, s'assurer que toutes les commandes sont à la position d'arrêt (OFF).
- ▶ NE PAS enlever de raccords.
- ▶ NE PAS utiliser de rallonge.
- ▶ Une mise à la terre inadéquate peut entraîner un risque d'électrocution.
- ▶ Tout manquement à ces directives peut entraîner la mort ou une électrocution, ou déclencher un incendie.

#### INSTRUCTIONS DE MISE À LA TERRE

- ▶ Cet appareil doit être mis à la terre.
- ▶ La mise à la terre réduit le risque de choc électrique en fournissant une voie sûre pour le courant électrique en cas de court-circuit.
- ▶ Assurez-vous que l'appareil est correctement installé et mis à la terre par un technicien qualifié.
- ▶ L'installation, les raccordements électriques et la mise à la terre doivent être conformes avec tous les codes en vigueur.

- S'il y a lieu, conformément au Code national de l'électricité (ou au Code canadien de l'électricité), cet appareil doit être installé sur un circuit de dérivation séparé.

### AVERTISSEMENT

Pour réduire le risque d'incendie ou d'électrocution, n'utilisez pas cet appareil avec un dispositif de contrôle de vitesse à semi-conducteurs.

### AVERTISSEMENT

**POUR RÉDUIRE LE RISQUE D'INCENDIE, D'ÉLECTROCUTION OU DE BLESSURE, RESPECTEZ LES INSTRUCTIONS SUIVANTES.**

- ▶ L'installation et le câblage électrique doivent être exécutés par du personnel qualifié en conformité aux codes et aux normes en vigueur, y compris ceux relatifs à la construction à l'épreuve du feu.
- ▶ Un apport d'air suffisant est nécessaire pour la bonne combustion et l'évacuation des gaz par le carneau (cheminée) émanant des appareils de combustion afin d'éviter un refoulement d'air. Respectez les lignes directrices du fabricant des appareils de chauffage et les normes de sécurité comme celles établies par la National Fire Protection Association (NFPA), la American Society for Heating, Refrigeration and Air Conditioning Engineers (ASHRAE) et les codes des autorités locales.
- ▶ Lorsque vous coupez ou percez le mur ou le plafond, n'abîmez pas le câblage électrique et les autres installations cachées.
- ▶ Les ventilateurs raccordés à une conduite utilisée pour évacuer des contaminants doit toujours évacuer l'air vers l'extérieur.
- ▶ **UTILISEZ UNIQUEMENT DES CONDUITES MÉTALLIQUES.**
- ▶ **NE PAS** évacuer l'air évacué dans des espaces avec des murs ou des plafonds ou dans des greniers, des vides sanitaires ou des garages.

### MISE EN GARDE

Uniquement aux fins de ventilation générale.

- ▶ Pour éviter tout risque d'incendie ou d'explosion, ne pas utiliser pour évacuer des matières et des vapeurs dangereuses ou explosives.

### AVERTISSEMENT

Ne jamais modifier ni altérer la structure de l'appareil électroménager.





# IMPORTANTES CONSIGNES DE SÉCURITÉ

## LIRE ET CONSERVER CES INSTRUCTIONS

### AVERTISSEMENT

Retirer tout le ruban adhésif et l'emballage avant d'utiliser l'électroménager.

- ▶ Éliminez l'emballage d'une manière respectueuse de l'environnement.
- ▶ Ne laissez jamais les enfants jouer avec le matériel d'emballage.

### AVERTISSEMENT



L'appareil est lourd et son déplacement et installation exigent au moins deux personnes ou encore un équipement approprié.

### AVERTISSEMENT



Certaines surfaces cachées peuvent avoir des rebords tranchants.

- ▶ Redoubler de vigilance quand vous passez la main derrière ou sous l'appareil électroménager.

### MISE EN GARDE

Un ventilateur externe doit être installé derrière les déflecteurs ou à un endroit où il est peu probable que de l'eau soit aspiré.

## 1.4 Codes et normes de sécurité

Cet appareil est conforme aux plus récentes versions de l'une ou plus des normes suivantes :

- UL 507 - Ventilateurs électriques
- CAN/CSA-C22.2 No 113 - Ventilateurs

Il est de la responsabilité du propriétaire et de l'installateur de déterminer si des exigences et/ou des normes supplémentaires s'appliquent à des installations spécifiques.

## 1.5 Mises en garde conformément à la proposition 65 de l'État de Californie

Ce produit pourrait contenir un produit chimique reconnu par l'État de la Californie comme cancérigène ou ayant des effets nocifs sur la reproduction. Par conséquent, vous pourriez devoir apposer l'étiquette suivante sur l'emballage du produit comme requis par la Californie :

**AVERTISSEMENT ISSUE DE LA PROPOSITION 65 DE L'ÉTAT DE LA CALIFORNIE :**

**AVERTISSEMENT**

Cancer et dommages à la reproduction -  
[www.P65Warnings.ca.gov](http://www.P65Warnings.ca.gov)

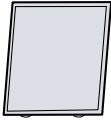

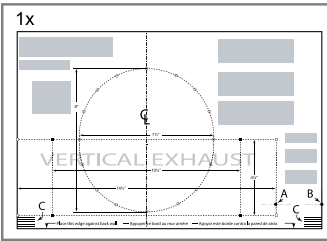

## 2 Avant de commencer

Lisez ces instructions avant de commencer l'installation de votre appareil.

Ce manuel d'installation couvre plusieurs modèles. Tous graphiques sont représentatifs. Votre appareil peut varier en apparence et en fonctionnalités.

### 2.1 Pièces incluses

Après avoir déballé le produit, inspectez toutes les pièces pour détecter d'éventuels dégâts dus au transport et pour vous assurer de l'intégralité de la livraison.

2x		Filtres à graisse (2)
1		Raccord de conduit rond 8 po (1)
1x		Modèle pour conduite (1) (Imprimé des deux côtés)
6x		Vis à bois n° 8 x 5/8 po RD.HD. (6) (situé dans le sac de pièces à l'intérieur de la hotte)
		Décharge de traction de 1/2 po (situé dans le sac de pièces à l'intérieur de la hotte)

**IMPORTANT** : NE PAS jeter de morceaux d'emballage avant l'installation complète de l'appareil électroménager.

### 2.2 Outils et pièces nécessaires

Préparez ces outils et accessoires avant de commencer à installer votre électroménager.

- Ruban à mesurer
- Crayon
- Niveau
- Gants de sécurité
- Tournevis à tête plate n° 2
- Tourne-écrou ou douille 1 1/2 po
- Perceuse avec mèche 1/8 po
- Scie cloche 1 1/2 po
- Plaque de conduit rond de 7 po (pour l'installation de conduits verticaux ronds de 7 po)
- Amortisseur (pour installation de conduits verticaux ronds de 7 po)
- Outil à dénuder
- Amortisseur de tirage à dos rond
- Canalisation au besoin

- Cales en bois (2)
- Vis à bois (2)

#### Pour installation canalisée uniquement :

- Scie (sabre ou trou de serrure)
- Cisailles à métaux (certaines applications)
- Pincettes
- Ruban en aluminium (NE PAS utiliser de ruban adhésif isolant ou en tissu)
- Ciseaux

#### Pour le mode recyclage :

- Filtres anti-odeurs
- Ensemble de recirculation

### 2.3 Notes importantes

#### ⚠ AVERTISSEMENT

Une mauvaise installation d'appareils à gaz et de hottes de ventilation peut créer un risque de monoxyde de carbone, qui peut être nocif. Pour réduire le risque d'intoxication au monoxyde de carbone, assurez-vous que l'appareil à gaz est correctement installé selon les instructions du fabricant, ainsi que la hotte est ventilée vers l'extérieur pour une évacuation adéquate des gaz ou des fumées.

- Les appareils de cuisson au gaz libèrent du monoxyde de carbone qui peut être nocif ou mortel en cas d'inhalation. Pour réduire le risque d'incendie et pour évacuer correctement l'air, les gaz d'échappement extraits par la hotte doivent être évacués à l'extérieur du bâtiment uniquement.
- Consultez les codes du bâtiment locaux ou les restrictions liées à l'installation de produits de ventilation en mode de recirculation.
- La hauteur d'installation de la hotte au-dessus d'une table de cuisson ou d'une cuisinière peut varier. Pour obtenir la hauteur d'installation nécessaire au-dessus d'une table de cuisson, d'une cuisinière ou d'une table de cuisson, consultez le manuel d'installation de l'appareil ou la matrice de combinaison.

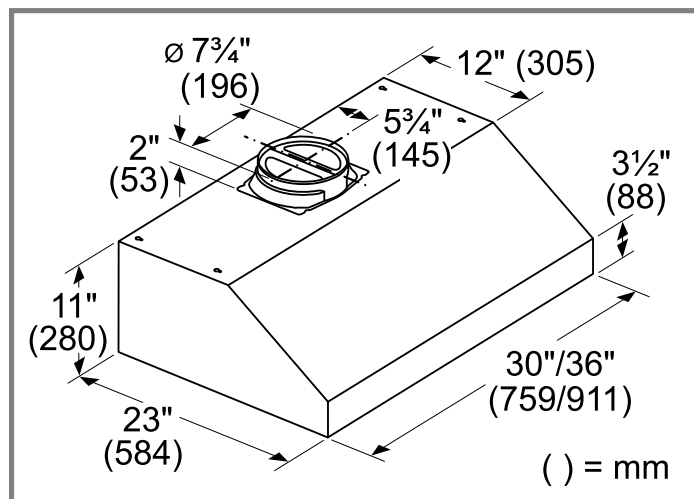
#### AVIS :

La hotte peut être endommagée par une chaleur excessive si une cuisinière ou une table de cuisson fonctionne avec plusieurs brûleurs à des réglages élevés sous une hotte installée à des dégagements minimums et éteinte.

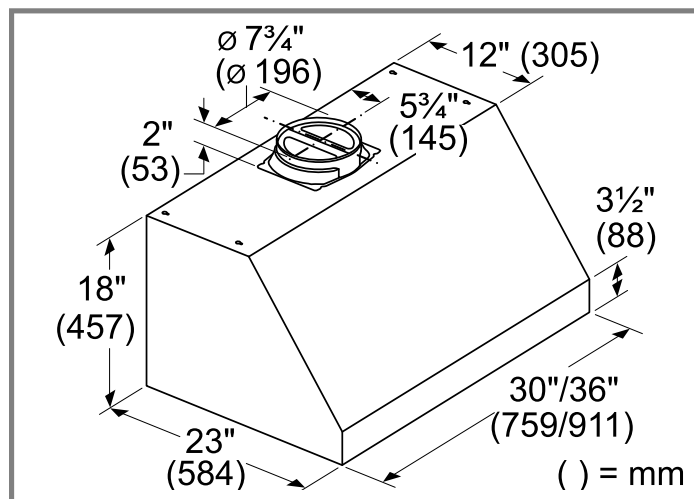
## 3 Exigences d'installation et dégagements

### 3.1 Dimensions de l'électroménager

DUH80553 / DUH86553



DUHP0553 / DUHP6553



**IMPORTANT** : La hotte doit être centrée sur la surface de cuisson pour de meilleures performances.

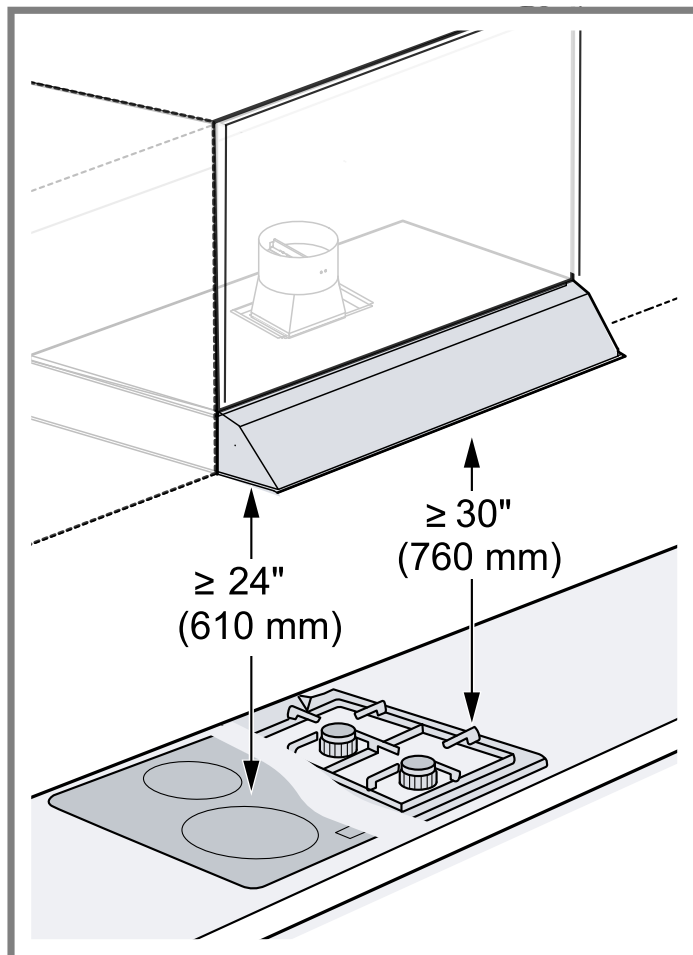
### 3.2 Dégagement de sécurité

Respectez les dégagements de sécurité de l'appareil.

#### ⚠ AVERTISSEMENT

Les dépôts de graisse dans le filtre à graisse peuvent prendre feu. Les distances de sécurité spécifiées doivent être respectées afin d'éviter une accumulation de chaleur.

- ▶ La distance entre la hotte et la surface de cuisson doit être d'au moins 24 po au-dessus des tables de cuisson électriques et d'au moins 30 po au-dessus des tables de cuisson au gaz.
- ▶ Veuillez respecter les spécifications de votre appareil de cuisson. Si les tables de cuisson au gaz et électriques fonctionnent ensemble, la plus grande distance spécifiée s'applique.



### 3.3 Poids de l'électroménager

Assurez-vous que l'armoire supporte le poids de l'appareil.

Modèle	Poids
DUH80553UC	42 lb (19 kg)
DUH86553UC	45 lb (20.5 kg)
DUHP0853UC	51 lb (23.2 kg)
DUHP6853UC	54 lb (24.5 kg)

### 3.4 Exigences électriques

#### ⚠ AVERTISSEMENT

Cet appareil doit être correctement mis à la terre.

- L'appareil nécessite une alimentation 120 V CA, 60 Hz. Circuit de dérivation 15 A.
- L'appareil ne doit être connecté qu'à un circuit dédié (avec terre) qui a été installé conformément aux réglementations en vigueur.
- Vérifiez les codes du bâtiment locaux pour connaître la méthode d'installation appropriée. Cet appareil doit être installé conformément aux codes locaux applicables ou, en l'absence de codes locaux, au Code national de l'électricité, NFPA 70 ou au Code canadien de l'électricité, CSA C22.1-02.
- **Données électriques :**

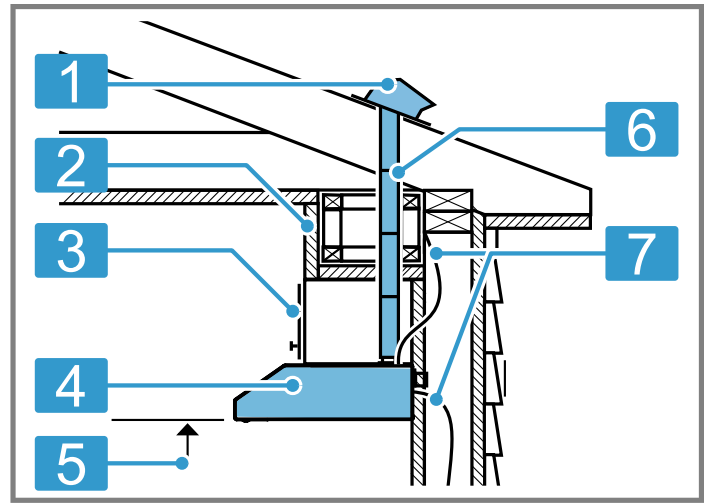
Reportez-vous à la plaque signalétique pour les données du produit, y compris le modèle et le numéro de série.

→ "Emplacement de la plaque signalétique", Page 26

## 4 Préparation pour l'installation

### 4.1 Préparation des conduits

- Cet appareil peut être ventilé verticalement vers l'extérieur.
- Un bon rendement dépend d'un système de gaines adéquat. Les codes du bâtiment locaux peuvent exiger l'utilisation de systèmes d'air d'appoint lorsque vous installez des systèmes de ventilation par conduites de plus grande capacité que le nombre de pieds cubes par minute (pi<sup>3</sup>/min) spécifiés pour la ventilation.
- **N'UTILISEZ PAS DE CONDUITS SOUPLES**, elles créent une contre-pression ou des turbulences et réduisent le rendement du système.
- Installez toujours un abat-vent de métal au point de sortie de la gaine, à l'extérieur.
- Pour les installations de systèmes de gaines en **CLIMAT FROID**, veuillez installer un clapet antiretour supplémentaire pour atténuer le retour d'air froid et une résistance thermique non métallique pour minimiser la conduction de la température externe. Le clapet antiretour doit être installé du côté de l'air froid de la résistance thermique. La rupture doit être aussi proche que possible de l'endroit où le conduit entre dans la partie chauffée de la maison.
- **AIR D'APPOINT** : Les codes du bâtiment locaux peuvent exiger l'utilisation de systèmes d'air d'appoint lorsque vous installez des systèmes de ventilation par conduites de plus grande capacité que le nombre de pieds cubes par minute (pi<sup>3</sup>/min) spécifiés pour la ventilation. Le nombre de pi<sup>3</sup>/min spécifié varie d'un endroit à l'autre. Il incombe au propriétaire et à l'installateur de déterminer si des exigences et/ou normes additionnelles s'appliquent pour des installations spécifiques.
- Pour réduire le risque de feu et pour évacuer correctement l'air, évacuez l'air vers l'extérieur. Ne pas évacuer l'air évacué dans les espaces avec des murs ou des plafonds ou dans les greniers, les vides sanitaires ou les garages.
- Maintenez le système de gaines aussi court et droit que possible. Les coudes et les raccords de transition réduisent l'efficacité du débit d'air. Les coudes installés l'un après l'autre et les configurations en « S » donnent un très faible rendement et ne sont pas recommandés.



1	Capuchon de toit
2	Sous-face
3	Armoire
4	Hotte
5	Distance au-dessus de la surface de cuisson : <ul style="list-style-type: none"> <li>■ min. 24 po au-dessus des tables de cuisson électriques</li> <li>■ min. 30 po au-dessus des tables de cuisson à gaz</li> </ul>
6	Évacuation verticale
7	Câblage de la maison (haut ou arrière de la hotte)

### Installation des conduits

Suivez ces instructions pour les installations avec conduits.

1. La hotte peut être connectée avec une direction de décharge verticale avec une plaque de conduit ronde de 8 po.
2. Déterminez où les conduits passeront entre la hotte et l'extérieur.
  - La canalisation de la hotte vers l'extérieur du bâtiment a un effet important sur le débit d'air, le bruit et la consommation d'énergie de la hotte.
  - Utilisez le routage de conduit le plus court et le plus droit possible pour de meilleures performances.
  - Évitez d'installer la hotte avec des conduits plus petits que ceux recommandés.
  - L'isolation autour des conduits peut réduire la perte d'énergie et inhiber la croissance des moisissures.
  - Le raccordement de la hotte aux conduits existants peut ne pas atteindre son débit d'air nominal.
  - Reportez-vous au tableau sur la longueur des conduits pour vous aider à planifier l'installation la plus efficace.
3. Installez un capuchon mural ou un capuchon de toit (vendu séparément); s'assurer qu'il n'y a pas de fuite dans l'isolation de la maison.

- Raccordez les conduits métalliques au capuchon de toit ou au capuchon mural et revenez vers l'emplacement de la hotte. Utilisez du ruban adhésif en feuille de métal de 2 po pour sceller les joints entre les sections de conduits.

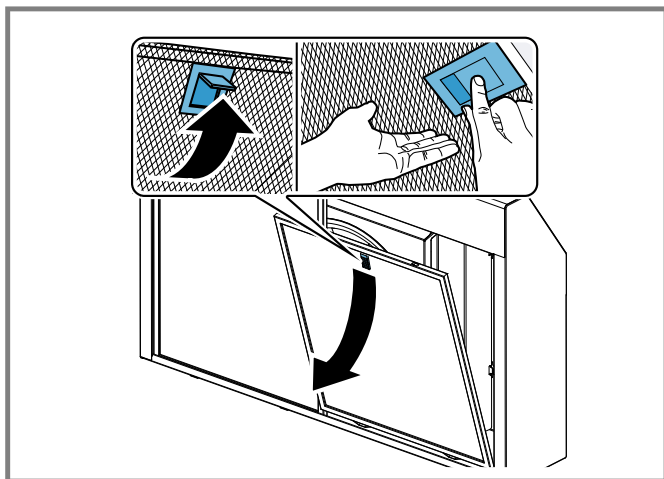
### Longueur de conduit maximale recommandée

Suivez ces recommandations sur la longueur du conduit pour atteindre une efficacité d'évacuation de 80 %.

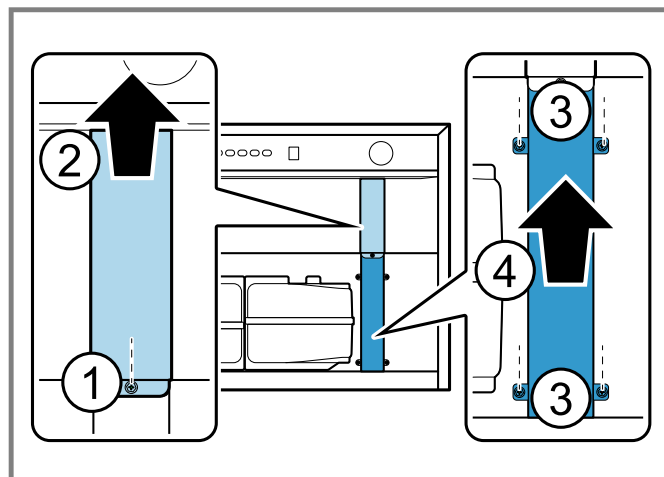
Conduit rond de 8 po décharge verticale longueur maximale du conduit	Chapeau de toit ou de mur avec amortisseur	Coude(s) 90° et/ou 45° (Coudes standard avec rayon interne de 1 po)
92 pi	1	0
78 pi	1	1
62 pi	1	2

### 4.2 Préparation de l'appareil

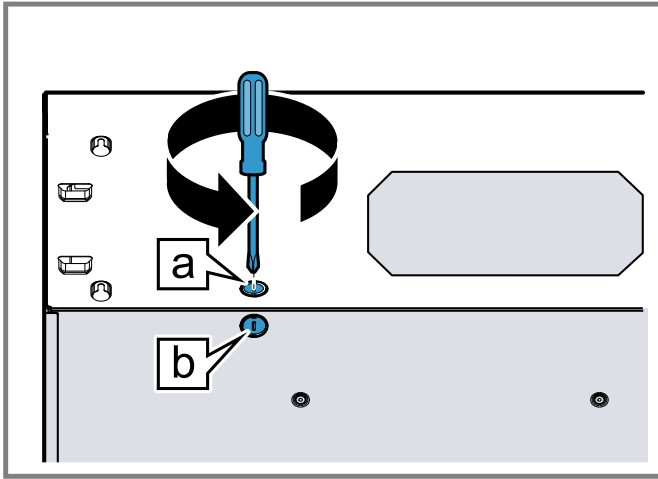
- Retirez tous les emballages et films de protection de la hotte et des pièces.
- Retirez les filtres à graisse de la hotte.
  - Ouvrez le loquet du filtre, puis poussez le filtre vers le bas ① et inclinez-le ②.



- Retirez les couvre-fils.
  - Retirez la vis où les deux pièces de couverture de fil se rejoignent.
  - Retirez le cache-fils de la partie inclinée de la hotte.
  - Retirez les 4 vis du cache-câbles restant et soulevez le cache-câbles.



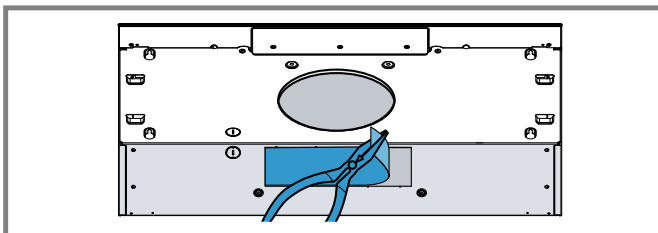
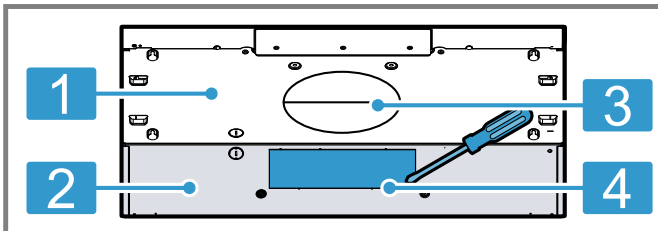
4. Retirez la découpe du câble d'alimentation électrique de la hotte. Retirez la découpe supérieure **a** pour le câblage vertical, ou la découpe arrière **b** pour câblage horizontal. Installez un serre-câble approprié de 1/2 po (non inclus).



### Installation de l'ensemble amortisseur

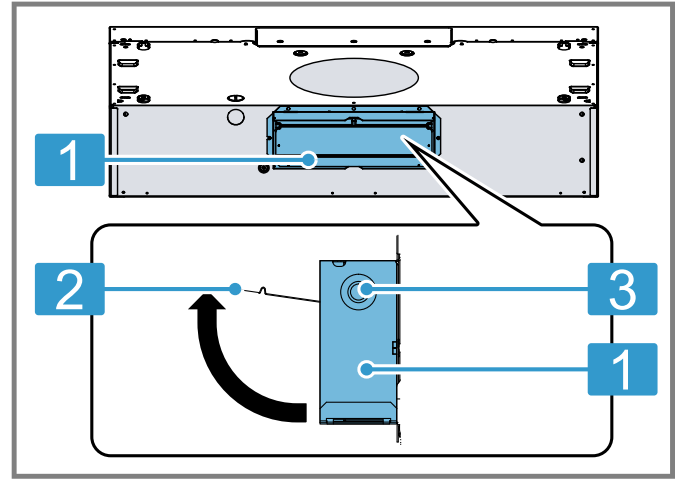
Ces étapes ne doivent être effectuées que pour l'installation en gaine.

1. En fonction de la direction de décharge requise, retirez la plaque défonçable sur le dessus ou à l'arrière de la hotte.



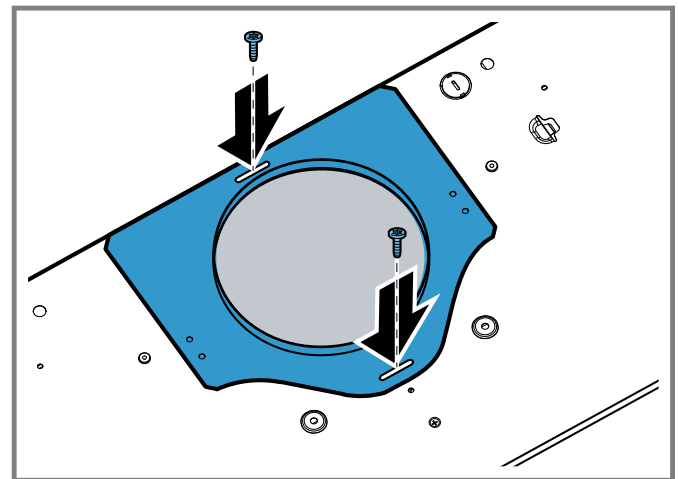
- 1 Haut de la hotte
- 2 Arrière de la hotte
- 3 Plaque défonçable ronde pour décharge verticale
- 4 Plaque défonçable rectangulaire pour décharge horizontale

2. **Pour les conduits horizontaux avec un conduit rectangulaire à l'arrière de la hotte :** Fixez l'ensemble de registre rectangulaire ou la plaque de conduit ronde sur l'ouverture défonçable, selon votre type d'installation. Reportez-vous aux images suivantes.



- 1 Ensemble amortisseur
- 2 Volet amortisseur  
Une fois installé, le volet du registre doit s'ouvrir comme indiqué.
- 3 Pivot de volet d'amortisseur

3. **Pour les conduits verticaux avec un conduit rond en haut de la hotte :** Installez la plaque de conduit ronde sur l'ouverture défonçable à l'aide de 2 vis du sac de pièces.



Pour s'adapter aux conduits décentrés, la plaque de conduit ronde peut être installée jusqu'à 1/2 po de chaque côté du centre de la hotte.

**Remarque :** Insérez une petite longueur de conduit sur l'ensemble de registre rectangulaire ou la plaque de conduit ronde et scellez le joint à l'aide de ruban adhésif en aluminium pour faciliter la connexion avec les conduits de la maison.

## 5 Directives d'installation

Respectez ces informations lors de l'installation de l'appareil.

### ⚠ AVERTISSEMENT

Avant l'installation, couper l'alimentation au panneau de service.

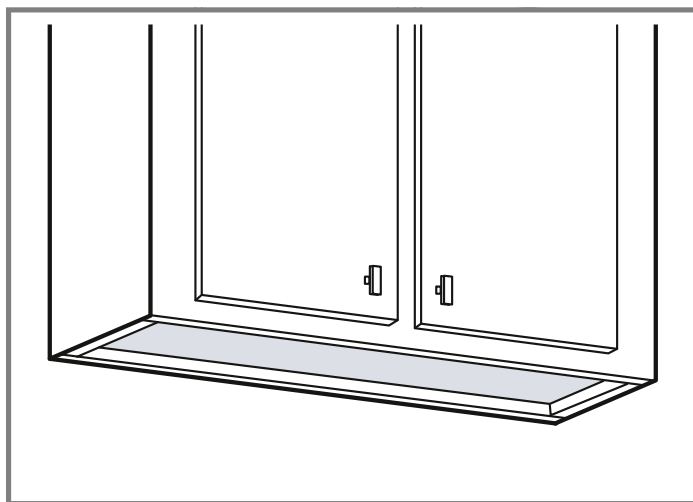
- ▶ Verrouiller le panneau de service pour empêcher que l'alimentation ne soit rétablie par accident.

### 5.1 Types d'armoires de cuisine

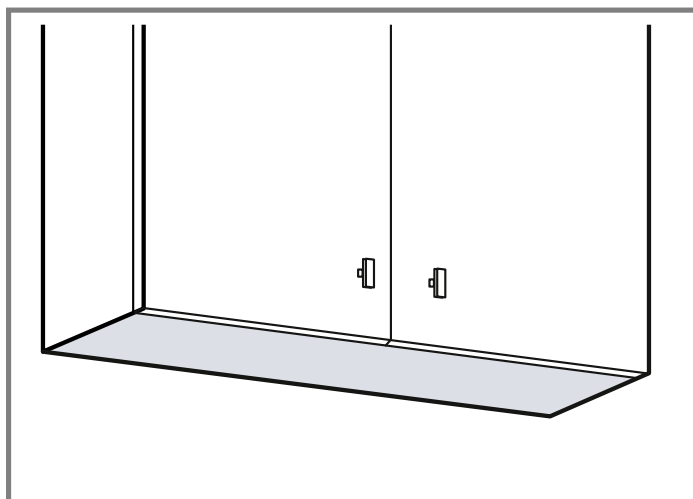
Identifiez votre type d'armoires de cuisine avant de commencer l'installation.

Vérifiez le bas du meuble de cuisine où vous souhaitez installer votre hotte.

#### Armoire avec cadre



#### Armoire sans cadre



### 5.2 Préparation de l'emplacement de la hotte

1. Utilisez le schéma approprié pour placer les conduits et la découpe électrique dans l'armoire ou le mur. Pour une installation sans conduit, NE PAS couper un trou

d'accès au conduit, ne couper que le trou pour le câblage électrique.

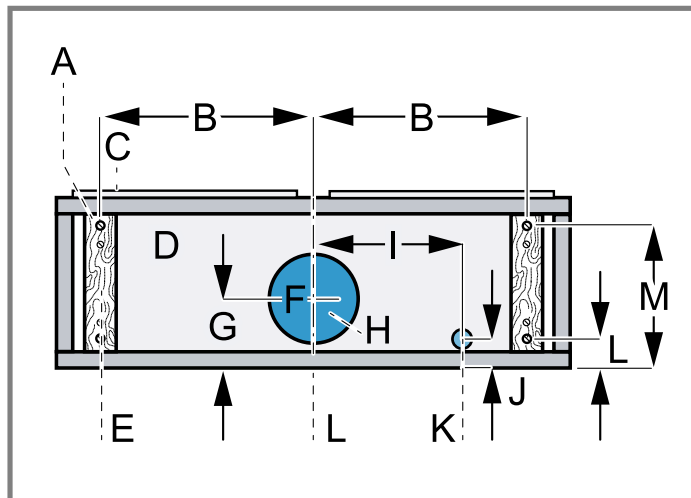
→ "Dimensions de l'installation", Page 23

2. Installez partiellement quatre (4) têtes rondes n° 8 vis de montage de 5/8 po dans les cales ou l'armoire, selon le schéma approprié.

Les vis de montage sont incluses dans le sac de pièces, mais les cales en bois et les vis de montage des cales ne sont pas incluses.

### Dimensions de l'installation

Reportez-vous aux mesures indiquées ci-dessous pour votre situation d'installation.



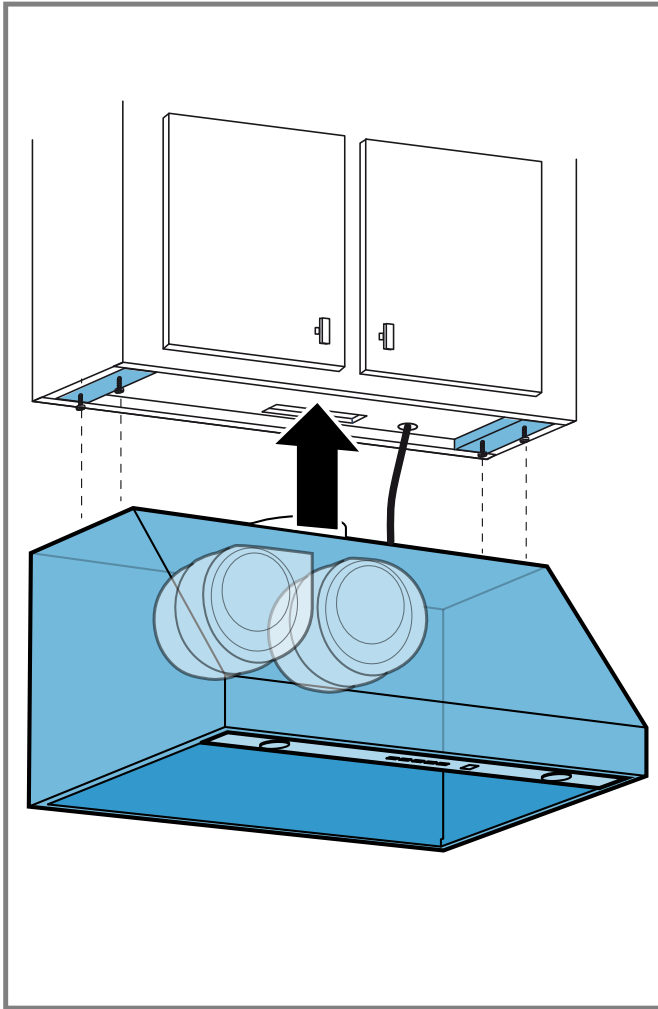
#### Conduit vertical rond de 8 po

⌘	Ligne médiane
A	Vis de montage de la hotte (4)
B	<ul style="list-style-type: none"> <li>▪ Hotte de 30 po : 12 7/8 po (327 mm)</li> <li>▪ Hotte de 36 po : 15 7/8 po (404 mm)</li> </ul>
C	Façade de l'armoire
D	Base du cabinet
E	Cales en bois (fonds d'armoires à cadre uniquement)
F	Trou d'accès au conduit rond de 8 po
G	4 11/16 po (119 mm)
H	Trou de 8 po de diamètre
I	7 3/16 po (183 mm)
J	1 3/8 po (35 mm)
K	Trou d'accès électrique (dans le bas de l'armoire)
L	1 1/2 po (38 mm)
M	10 15/16 po (278 mm)

### 5.3 Installation de la hotte

1. Faites passer le câble d'alimentation de la maison entre le panneau de service et l'emplacement de la hotte. Faites passer le câble d'alimentation de la maison dans la hotte à travers le serre-câble précédemment installé.  
→ "Préparation de l'appareil", Page 21

- Suspendez la hotte aux (4) vis de montage précédemment installées. Faites glisser la hotte vers le mur jusqu'à ce que les têtes de vis de montage soient engagées dans l'extrémité étroite des fentes en trou de serrure sur le dessus de la hotte. Bien serrer les vis.



- Fixez le câble d'alimentation à la hotte à l'aide du serre-câble.
- Raccordez les conduits à la hotte et utilisez du ruban adhésif en feuille de métal pour rendre les joints sûrs et étanches à l'air.

Assurez-vous que l'assemblage du registre ou la plaque du conduit rond pénètre dans les conduits et que l'amortisseur s'ouvre et se ferme librement.

## 5.4 Connexion de fil électrique

### ⚠ AVERTISSEMENT

Risque de choc électrique.

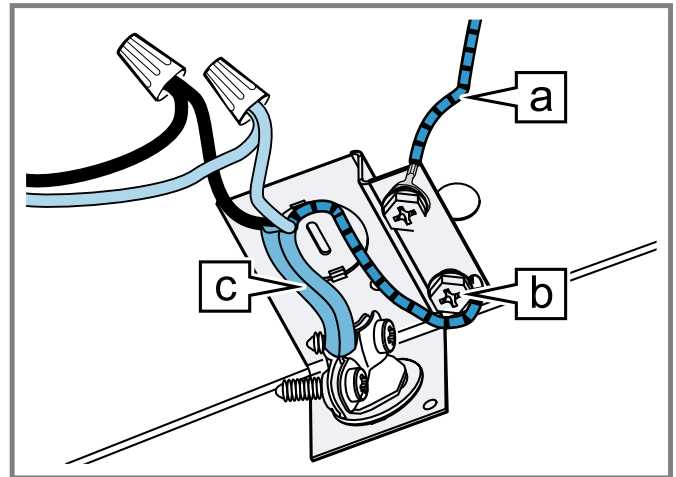
- Le câblage électrique doit être effectué par du personnel qualifié conformément à tous les codes et normes applicables.

Avant l'installation, couper l'alimentation au panneau de service.

- Verrouiller le panneau de service pour empêcher que l'alimentation ne soit rétablie par accident.

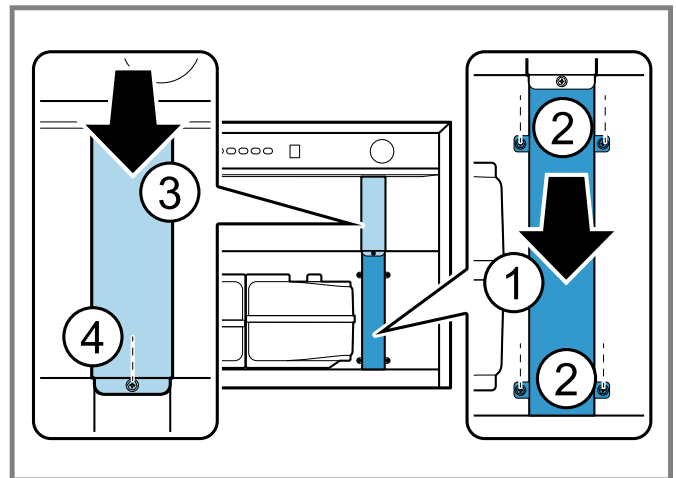
- Connectez le câble d'alimentation de la maison au câblage de la hotte :

- NOIR à NOIR
- BLANC à BLANC
- Fil VERT ou dénudé sous vis de terre VERTE



- |   |                                   |
|---|-----------------------------------|
| a | Fil de terre du moteur            |
| b | Vis de terre                      |
| c | Câble d'alimentation de la maison |

- Réinstallez le deuxième couvercle de câblage avec 4 vis, puis réinstallez le premier couvercle de câblage et fixez-le avec la vis où les deux couvercles de câblage se rejoignent.



## 5.5 Installation des filtres

- Installation canalisée uniquement :**

- Réinstallez les filtres à graisse précédemment retirés.  
→ "Préparation de l'appareil", Page 21

- Installation sans conduit uniquement :**

- Achetez 2 filtres sans conduit auprès de votre distributeur ou détaillant local. Voir la plaque signalétique pour le type de filtre.  
→ "Emplacement de la plaque signalétique", Page 26
- Fixez les filtres sans conduit en suivant les instructions fournies avec les filtres sans conduit.



## 5.6 800 / Benchmark™ Série Ensemble de recirculation –HEZVEUD302 / HEZVEUD362

1. Pour que les hottes fonctionnent en mode recirculation, des conduits doivent être installés soit au sommet de l'armoire, soit sur la face ou le côté d'un soffite pour rejeter l'air dans la pièce.
2. Fixez un minimum de 15 po de conduit métallique (non fourni) directement sur le connecteur de conduit d'air.
3. Établissez le raccordement à l'ouverture de l'armoire ou du soffite.
4. Si vous utilisez une grille de guidage d'air (non fournie), vissez la grille à l'armoire et fixez le conduit à la grille.
5. Scellez les joints avec du ruban adhésif en feuille métallique.
6. Installation des filtres du mode recirculation d'air
7. Retirez les filtres à graisse de la hotte. Installez un filtre à charbon (inclus dans le kit de filtre à charbon) à l'arrière de chaque de filtre à graisse métallique (A). Maintenez le filtre à charbon en place en insérant les deux extrémités de 2 bandes métalliques (incluses dans le kit de filtre à charbon) dans chaque fente du cadre métallique du filtre à graisse (B).
8. Réinstallez les filtres à graisse en utilisant simultanément votre autre main pour saisir le filtre à graisse métallique vers le haut et enclencher le loquet en place.
9. Une mauvaise installation d'appareils à gaz et de hottes de ventilation peut créer un risque de monoxyde de carbone, qui peut être nocif. Pour réduire le risque d'intoxication au monoxyde de carbone, assurez-vous que l'appareil à gaz est correctement installé selon les instructions du fabricant, ainsi que la hotte est ventilée vers l'extérieur pour une évacuation adéquate des gaz ou des fumées. Reportez-vous aux codes du bâtiment locaux pour connaître les dernières exigences et restrictions lors de l'installation de produits de ventilation en mode de recirculation.

## 6 Liste de contrôle de l'installateur

Dernière vérification

- |                          |   |
|--------------------------|---|
| <input type="checkbox"/> | Dégagements spécifiés maintenus avec les surfaces des armoires.   |
| <input type="checkbox"/> | Appareil électroménager de niveau.  |
| <input type="checkbox"/> | Tout le matériel d'emballage retiré.  |
| <input type="checkbox"/> | Connexion de mise à la terre appropriée.  |
| <input type="checkbox"/> | Le propriétaire sait où se trouve le disjoncteur principal.   |
| <input type="checkbox"/> | INSTALLATEUR : Notez le numéro de modèle et le numéro de série dans le manuel. Laissez le manuel et manuel d'installation avec le propriétaire de l'appareil. |

### Pour nettoyer et protéger les surfaces extérieures

- Nettoyez les surfaces en acier inoxydable en les essuyant avec un chiffon savonneux humide. Rincez à l'eau claire et séchez avec un chiffon doux pour éviter les traces d'eau. Enlevez les empreintes digitales et les taches avec un nettoyant pour vitres doux.
- Appliquez un produit revitalisant pour acier inoxydable avec un chiffon doux pour polir et protéger la surface. Le conditionneur en acier inoxydable Thermador est disponible à l'achat dans la boutique d'accessoires en ligne (États-Unis uniquement) [www.bosch-home.com/us/shop](http://www.bosch-home.com/us/shop).
- N'utilisez pas le conditionneur sur des surfaces autres qu'en acier, des logos, des marques de contrôle, des étiquettes, de l'acier inoxydable noir ou résistant aux taches et des intérieurs d'appareils.
- NE PAS laisser de dépôts sur les surfaces pendant de longues périodes.
- NE PAS utiliser des brosses en acier ou de la laine d'acier ordinaires. De petits morceaux d'acier pourraient coller à la surface et provoquer des taches de rouille.
- NE PAS laisser de solutions à base de sel, des produits désinfectants, des javellisants ou des composés de nettoyage en contact avec l'acier inoxydable pendant des périodes prolongées. Plusieurs de ces composés renferment des produits chimiques qui pourraient être nocifs. Rincez avec de l'eau après l'exposition et séchez avec un chiffon propre.

### Dépannage

Voir le manuel pour obtenir des informations de dépannage.

Reportez-vous à la garantie limitée du produit dans le Guide d'utilisation et d'entretien. Veuillez vous préparer avec les informations imprimées sur la plaque signalétique de votre produit lors de votre appel.

## 7 Service à la clientèle

Lors de toute réparation réalisée dans le cadre de la garantie, nous nous assurons que votre appareil est réparé avec des pièces de rechange d'origine par un technicien dûment formé et agréé. Nous utilisons exclusivement des pièces de rechange d'origine lors des réparations.

Pour plus d'informations sur la durée et les conditions de la garantie dans votre pays, consultez nos modalités de garantie auprès de votre détaillant ou sur notre site Web. Si vous contactez le service à la clientèle, indiquez le numéro de modèle (E-Nr.) et le numéro de fabrication (FD) de l'appareil.

La source de lumière est disponible en tant que pièce de rechange et doit être remplacée uniquement par du personnel qualifié.

USA:

1-800-944-2904

[www.bosch-home.com/us/owner-support/get-support](http://www.bosch-home.com/us/owner-support/get-support)

[www.bosch-home.com/us/shop](http://www.bosch-home.com/us/shop)

CA:

1-800-944-2904

[www.bosch-home.ca/en/service/get-support](http://www.bosch-home.ca/en/service/get-support)  
[www.bosch-home.ca/en/service/cleaners-and-accessories](http://www.bosch-home.ca/en/service/cleaners-and-accessories)

### Résidents du Québec :

Vous trouverez des renseignements sur la disponibilité des pièces de rechange, des services de réparation et des renseignements nécessaires à l'entretien ou à la réparation de l'appareil à l'adresse suivante :

[www.bosch-home.ca/fr/service/](http://www.bosch-home.ca/fr/service/)



– Canada : [www.bosch-home.ca/en/service/get-support](http://www.bosch-home.ca/en/service/get-support)

- Postez la carte d'enregistrement du produit remplie à l'adresse imprimée sur la carte.
- Scannez le code QR avec votre smartphone et suivez les instructions :



- Appelez Bosch Support à la clientèle au 1-800-944-2904.

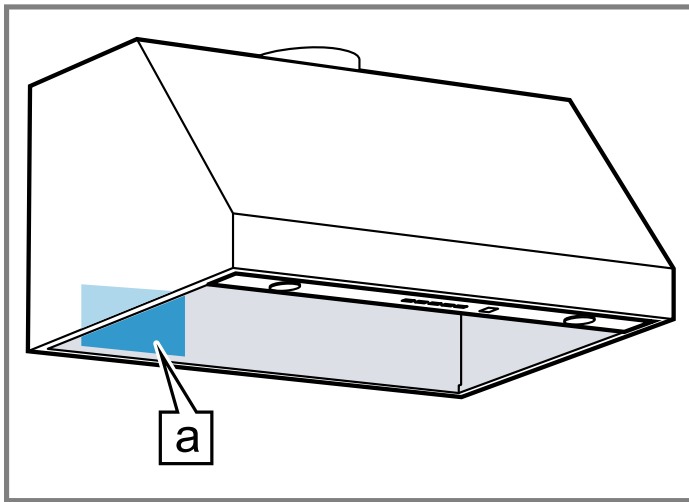
Veillez vous assurer d'enregistrer votre produit ; le défaut d'enregistrement n'affectera pas vos droits de garantie.

## 7.1 Numéro de modèle (E-Nr.) et numéro de fabrication (FD)

Le numéro de modèle (E-Nr.) et le numéro de fabrication (FD) sont indiqués sur la plaque signalétique de l'appareil. Pour retrouver rapidement les données de votre appareil et le numéro de téléphone du service à la clientèle, n'hésitez pas à les recopier ailleurs.

## 7.2 Emplacement de la plaque signalétique

La plaque signalétique se trouve sur le cadre derrière le filtre. Pour la visualiser, il faut retirer le filtre (voir la figure ci-dessous pour un exemple).



**a** Plaque signalétique

## 7.3 Enregistrement de produit

Enregistrez votre produit Bosch pour accéder aux informations relatives à votre produit.

Vous pouvez enregistrer votre produit de plusieurs manières :

- Enregistrez le produit en ligne au
  - É.-U. : [www.bosch-home.com](http://www.bosch-home.com)

# Tabla de contenidos

## 1 INSTRUCCIONES DE SEGURIDAD

<b>IMPORTANTES.....</b>	<b>28</b>
1.1 Definiciones de seguridad .....	28
1.2 Información general .....	28
1.3 Instrucciones generales de seguridad.....	28
1.4 Códigos y normas de seguridad.....	30
1.5 Advertencias en virtud de la Proposición 65 del estado de California .....	30

## 2 Antes de empezar .....

<b>2 Antes de empezar .....</b>	<b>31</b>
2.1 Componentes incluidos .....	31
2.2 Herramientas y partes necesarias.....	31
2.3 Notas importantes.....	31

## 3 Montaje de distancias y requisitos .....

<b>3 Montaje de distancias y requisitos .....</b>	<b>32</b>
3.1 Medidas del aparato.....	32
3.2 Distancias de seguridad.....	32
3.3 Peso del aparato.....	32
3.4 Requisitos eléctricos .....	32

## 4 Preparativos del montaje .....

<b>4 Preparativos del montaje .....</b>	<b>33</b>
4.1 Preparación de los ductos.....	33
4.2 Preparar el aparato .....	34

## 5 Instrucciones de instalación.....

<b>5 Instrucciones de instalación.....</b>	<b>35</b>
5.1 Tipos de gabinetes de cocina.....	35
5.2 Preparar el espacio para la campana.....	36
5.3 Instalar la campana.....	36
5.4 Conexión de cableado eléctrico .....	37
5.5 Instalar los filtros .....	37
5.6 Kit de recirculación, serie 800 / Benchmark® – HEZVEUD302 / HEZVEUD362 .....	38

## 6 Lista de comprobación del instalador .....

<b>6 Lista de comprobación del instalador .....</b>	<b>38</b>
---	-----------

## 7 Servicio de atención al cliente .....

<b>7 Servicio de atención al cliente .....</b>	<b>38</b>
7.1 Número de modelo (E-Nr.) y número de fabricación (FD) .....	39
7.2 Ubicación de la placa de características del aparato.....	39
7.3 Registro del producto .....	39



# INSTRUCCIONES DE SEGURIDAD IMPORTANTES

## LEA Y CONSERVE ESTAS INSTRUCCIONES

Leer atentamente todas las instrucciones antes de proceder con el uso del aparato. Para reducir el riesgo de incendio, descarga eléctrica y lesiones personales al utilizar el aparato, se deben tomar precauciones de seguridad básicas, incluidas las que se detallan en las siguientes instrucciones de seguridad.

### 1.1 Definiciones de seguridad

Aquí puede encontrar explicaciones de las palabras de señal de seguridad utilizadas en este manual.

#### **ADVERTENCIA**

Esto indica que pueden producirse la muerte o heridas graves si no se cumple con esta advertencia.

#### **PRECAUCIÓN**

Esto indica que pueden producirse heridas leves o moderadas si no se cumple con esta advertencia.

#### **AVISO:**

Esto indica que pueden producirse daños en el aparato o en los bienes si no se cumple con este aviso.

**Nota:** Esto alerta sobre información o sugerencias importantes.

### 1.2 Información general

Todos los manuales de producto pueden descargarse en línea en [www.bosch-home.com/us/owner-support/owner-manuals](http://www.bosch-home.com/us/owner-support/owner-manuals).

**INSTALADOR:** Dejar estas instrucciones con esta unidad para el propietario.

**PROPIETARIO:** Conservar estas instrucciones para referencia futura. Leer íntegramente las instrucciones antes de utilizar el aparato. El instalador debe mostrar al usuario dónde se encuentra el breaker del circuito eléctrico para que el usuario sepa dónde puede desconectar el suministro eléctrico del aparato.

### 1.3 Instrucciones generales de seguridad

#### ADVERTENCIA



Si no sigue rigurosamente la información contenida en este manual podría provocar un incendio o una explosión, y como resultado podría causar daños a la propiedad, lesiones o la muerte.

- No guarde o use materiales combustibles, gasolina u otros productos inflamables, bajo cualquier tipo de envase cerca de esta placa de cocción o de cualquier otro aparato.
- **QUÉ HACER EN CASO DE OLER A GAS**
  - No trate de encender ningún aparato.
  - No toque ningún interruptor eléctrico.
  - No use ningún teléfono en su casa.
  - Llame de inmediato a su proveedor de gas desde el teléfono de algún vecino y siga las instrucciones de su proveedor de gas.
  - Cuando no pueda localizar a su proveedor de gas, llame a los bomberos.
- Un instalador cualificado, una agencia de servicio autorizada o el proveedor de gas debe realizar la instalación y el servicio.

#### ADVERTENCIA

Interrumpir la alimentación eléctrica en el panel de servicio y bloquear el panel antes de instalar el cableado de este aparato. Requisitos: 120 V CA, 60 Hz, 15 A o 20 A para algunos modelos. Una vez que se haya interrumpido la alimentación eléctrica, dejar enfriar el aparato antes de proceder al mantenimiento.

#### ADVERTENCIA

Dispositivo automático

- ▶ Desconectarlo de la red eléctrica antes de proceder al mantenimiento para reducir el riesgo de lesiones.



# INSTRUCCIONES DE SEGURIDAD IMPORTANTES

## LEA Y CONSERVE ESTAS INSTRUCCIONES

### ADVERTENCIA

PARA REDUCIR EL RIESGO DE INCENDIO, DESCARGA ELÉCTRICA O LESIONES PERSONALES, ES PRECISO CUMPLIR CON LAS INDICACIONES SIGUIENTES:

- ▶ Utilizar esta unidad solo de la manera prevista por el fabricante. En caso de duda, ponerse en contacto con el fabricante.  
→ "Servicio de atención al cliente", Página 38
- ▶ Antes de realizar tareas de mantenimiento o limpieza en la unidad, desconectar la alimentación eléctrica en el panel de servicio y bloquearlo. De este modo, se evita que la alimentación eléctrica se vuelva a conectar accidentalmente. Si no es posible bloquear el panel de servicio, colocar algún tipo de advertencia visible, como una nota, sobre los interruptores del mismo.

No reparar, reemplazar ni retirar ninguna parte del aparato a menos que se recomiende específicamente en los manuales. La instalación, el servicio técnico o el mantenimiento incorrectos pueden causar lesiones o daños materiales.

- ▶ Consultar este manual como guía.
- ▶ Cualquier otra labor de mantenimiento debe de ser efectuada por un proveedor de servicios de mantenimiento autorizado.

### ADVERTENCIA



#### PELIGRO DE DESCARGA ELÉCTRICA

- ▶ Desconectar la alimentación eléctrica antes de proceder a la instalación o al mantenimiento. Antes de encender la alimentación, es preciso asegurarse de que todos los controles estén en la posición OFF (apagado).
- ▶ NO quitar las conexiones.
- ▶ NO usar un cable de extensión.
- ▶ Una puesta a tierra incorrecta puede causar una descarga eléctrica.
- ▶ No seguir estas instrucciones puede producir la muerte, provocar un incendio o una descarga eléctrica.

#### INSTRUCCIONES PARA LA CONEXIÓN A TIERRA

- ▶ Este aparato debe estar conectado a tierra.
- ▶ La conexión a tierra reduce el riesgo de descargas eléctricas, ya que proporciona una vía de escape de la corriente eléctrica en caso de cortocircuito.
- ▶ Asegurarse de que el aparato esté correctamente instalado y conectado a tierra por un técnico calificado.

- ▶ La instalación, las conexiones eléctricas y la conexión a tierra deben cumplir con todas las normas aplicables.
- ▶ Si el Código Nacional Eléctrico (o el Código Eléctrico Canadiense) así lo exige, este aparato debe instalarse con un circuito derivado dedicado por separado.

### ADVERTENCIA

Para reducir el riesgo de incendio o descarga eléctrica, no utilizar este aparato con ningún dispositivo de control de velocidad de estado sólido.

### ADVERTENCIA

**PARA REDUCIR EL RIESGO DE INCENDIO, DESCARGA ELÉCTRICA O LESIONES PERSONALES, ES PRECISO CUMPLIR CON LAS INDICACIONES SIGUIENTES.**

- ▶ Los trabajos de montaje y el tendido del cableado eléctrico deberá realizarlos personal calificado de conformidad con todos los códigos y normas aplicables, incluidas aquellas relativas a la construcción resistente al fuego.
- ▶ Se necesita una cantidad suficiente de aire para la correcta combustión y extracción de gases a través de la salida de humos (chimenea) del equipo de quema de combustible para evitar el reflujo. Seguir las indicaciones del fabricante del aparato de calentamiento y las normas de seguridad, como las publicadas por la Asociación Nacional de Protección contra el Fuego (NFPA, por sus siglas en inglés), la Sociedad Americana de Ingenieros de Calefacción, Refrigeración y Aire Acondicionado (ASHRAE, por sus siglas en inglés) y las autoridades locales.
- ▶ Cuando se corte o perforo la pared o el techo, no dañar el cableado eléctrico ni otros sistemas ocultos.
- ▶ Los ventiladores de ductos, utilizados para extraer contaminantes, siempre deben extraer el aire hacia el exterior.
- ▶ **UTILIZAR ÚNICAMENTE CONDUCTOS METÁLICOS.**
- ▶ **NO** dirigir el aire de salida hacia lugares cerrados, espacios dentro de paredes, techos, áticos, entrepisos o cocheras.

### PRECAUCIÓN

Solo para ventilación general.

- ▶ Para evitar el riesgo de incendio o explosión, no utilizar para evacuar materiales y vapores peligrosos o explosivos.



# INSTRUCCIONES DE SEGURIDAD IMPORTANTES

## LEA Y CONSERVE ESTAS INSTRUCCIONES

### ADVERTENCIA

No modificar ni alterar la construcción del aparato.

### ADVERTENCIA

Retirar toda la cinta y el embalaje antes de usar el aparato.

- ▶ Desechar el embalaje de manera respetuosa con el medio ambiente.
- ▶ No dejar nunca que los niños jueguen con el material de embalaje.

### ADVERTENCIA



La unidad es pesada y se requieren al menos dos personas o un equipo adecuado para trasladarla e instalarla.

### ADVERTENCIA



Las superficies ocultas pueden tener bordes afilados.

- ▶ Proceder con cuidado al intentar sujetar el aparato por la parte trasera o desde abajo.

### PRECAUCIÓN

Se debe instalar un ventilador exterior detrás de las rejillas o en un lugar donde sea poco probable que se ubique la entrada de extracción de agua.

## 1.4 Códigos y normas de seguridad

Este aparato cumple con la última versión de una o varias de las siguientes normas:

- UL 507: Ventiladores eléctricos
- CAN/CSA C22.2 n.º 113: Ventiladores y ventilaciones

Es responsabilidad del propietario y del instalador determinar si son aplicables otros requisitos o normas en montajes específicos.

## 1.5 Advertencias en virtud de la Proposición 65 del estado de California

Este producto puede contener un químico que el Estado de California reconoce como potencialmente cancerígeno o causante de daños reproductivos. Por tanto, su producto debe llevar en su embalaje la siguiente etiqueta de conformidad con la legislación de California:

### ADVERTENCIA EN VIRTUD DE LA PROPOSICIÓN 65 DEL ESTADO DE CALIFORNIA:

#### ⚠ ADVERTENCIA

Cáncer y daño reproductivo - [www.P65Warnings.ca.gov](http://www.P65Warnings.ca.gov)

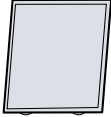

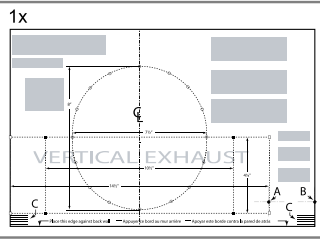

## 2 Antes de empezar

Leer estas instrucciones antes de comenzar la instalación del aparato.

Este manual de instalación abarca varios modelos. Todos los gráficos son representativos. La apariencia y las funciones del aparato pueden variar.

### 2.1 Componentes incluidos

Después de desembalar el aparato, verifique que todas las piezas no presenten daños ocasionados durante el transporte, así como que el volumen de suministro esté completo.

2x		Filtros antigrasa (2)
1		Conector de ducto redondo de 8" (1)
1x		Plantilla de ductos (1) (por ambos lados)
6x		Tornillos para madera de cabeza redonda núm. 8 x 5/8" (6) (guardados en la bolsa de piezas que se encuentra en el interior de la campana)
		Prensacable de 1/2" (guardados en la bolsa de piezas que se encuentra en el interior de la campana)

**IMPORTANTE:** NO tirar ningún embalaje antes de que el aparato esté completamente instalado.

### 2.2 Herramientas y partes necesarias

Preparar los siguientes accesorios y herramientas antes de comenzar la instalación del aparato.

- Cinta métrica
- Lápiz
- Nivel
- Guantes de seguridad
- Desarmador de punta plana núm. 2
- Llave de tuercas o dado de 1 1/32"
- Taladro con broca de 1/8"
- Sierra cortacírculos de 1 1/2"
- Placa de ducto redondo de 7" (para instalación de ducto vertical redondo de 7")
- Compuerta (para instalación de ducto vertical redondo de 7")

- Pelacables
- Compuerta de contracorriente redonda
- Ducto según sea necesario
- Calzas de madera (2)
- Tornillos para madera (2)

#### Solo para instalación con ductos:

- Sierra (de sable o de perforación)
- Tijeras de metal (algunas aplicaciones)
- Pinzas
- Cinta de aluminio (NO utilizar cinta aislante o de tela para conductos)
- Tijeras

#### Para modo de recirculación:

- Filtros antiolores
- Kit de recirculación

### 2.3 Notas importantes

#### ⚠ ADVERTENCIA

El montaje incorrecto de aparatos de gas y campanas de ventilación puede provocar un riesgo de escape de monóxido de carbono, que puede resultar dañino. Para reducir el riesgo de intoxicación por monóxido de carbono, asegurarse de que el electrodoméstico de gas esté correctamente instalado según las instrucciones del fabricante, así como de que la campana extraiga el aire hacia el exterior para la correcta extracción de gases o humos.

- Los electrodomésticos de gas liberan monóxido de carbono que puede ser dañino o fatal si se inhala. Para reducir el riesgo de incendio y para extraer adecuadamente el aire, los gases de escape que extraiga la campana deben ventilarse únicamente hacia el exterior del edificio.
- Consultar los códigos de construcción locales para conocer los requisitos o restricciones sobre la instalación de productos de ventilación en modo de recirculación.
- La altura de instalación de la campana extractora sobre la placa de cocción, parrilla empotrable o estufa puede variar. Para obtener la altura de instalación necesaria sobre una placa de cocción, parrilla de gas o estufa, consultar el manual de instalación del aparato o la matriz de combinaciones.

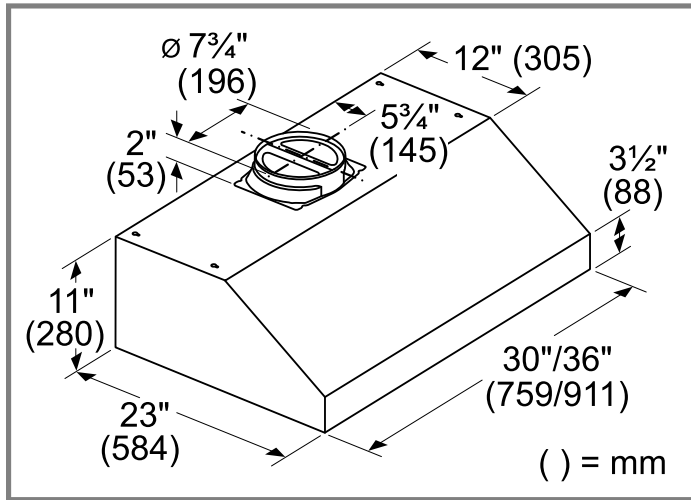
#### AVISO:

La campana podría dañarse por un exceso de calor si se opera una estufa o parrilla de estufa con varios quemadores en configuraciones altas, situada debajo de una campana que esté instalada a distancias mínimas y apagada.

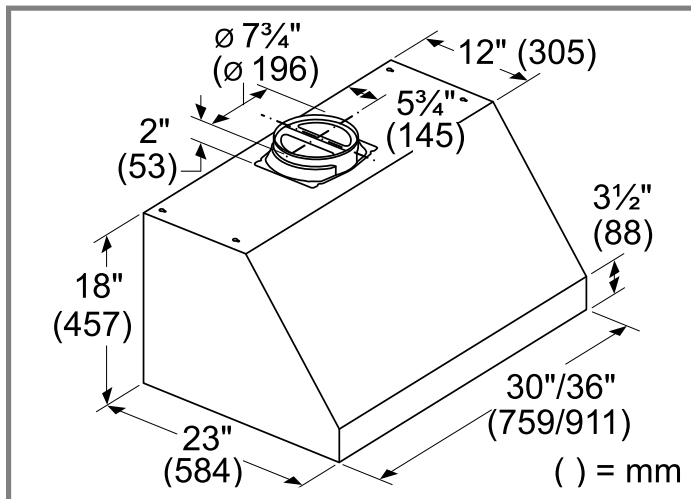
### 3 Montaje de distancias y requisitos

#### 3.1 Medidas del aparato

DUH80553 / DUH86553



DUHP0553 / DUHP6553



**IMPORTANTE:** la campana debe estar centrada sobre la superficie de cocción para un mejor rendimiento.

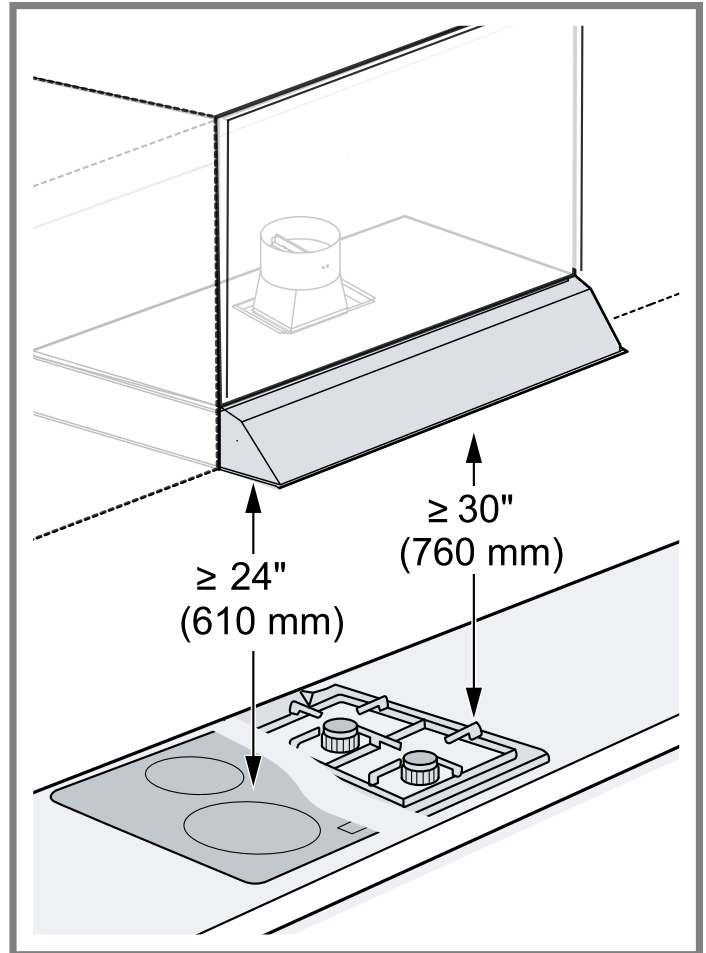
#### 3.2 Distancias de seguridad

Deben observarse las distancias de seguridad del aparato.

##### ⚠ ADVERTENCIA

La grasa acumulada en el filtro antigrasa puede incendiarse. Deben tenerse en cuenta las distancias de seguridad indicadas a fin de prevenir la acumulación de calor.

- ▶ La distancia entre la campana y la superficie de cocción debe ser de un mínimo de 24" por encima de las estufas eléctricas y un mínimo de 30" por encima de las estufas de gas.
- ▶ Tener en cuenta las especificaciones de su aparato de cocción. Si se utilizan a la vez placas de cocción de gas y eléctricas, se aplicará la mayor distancia indicada.



#### 3.3 Peso del aparato

Asegurarse de que el gabinete soporte el peso del aparato.

Modelo	Peso
DUH80553UC	42 lb (19 kg)
DUH86553UC	45 lb (20.5 kg)
DUHP0853UC	51 lb (23.2 kg)
DUHP6853UC	54 lb (24.5 kg)

#### 3.4 Requisitos eléctricos

##### ⚠ ADVERTENCIA

Este aparato debe estar adecuadamente conectado a tierra.

- El aparato necesita un circuito dedicado de 120V CA, 60Hz. Circuito con derivación de 15 A.
- El aparato solo se debería conectar a un circuito (conectado a tierra) que haya sido instalado conforme a las regulaciones aplicables.
- Comprobar sus códigos de construcción locales para conocer el método de instalación adecuado. Este aparato debería instalarse conforme a los códigos locales aplicables o, en ausencia de estas, conforme al Código Eléctrico Nacional (NFPA 70) o al Código Eléctrico de Canadá (CSA C22.1-02).



#### ■ Datos eléctricos:

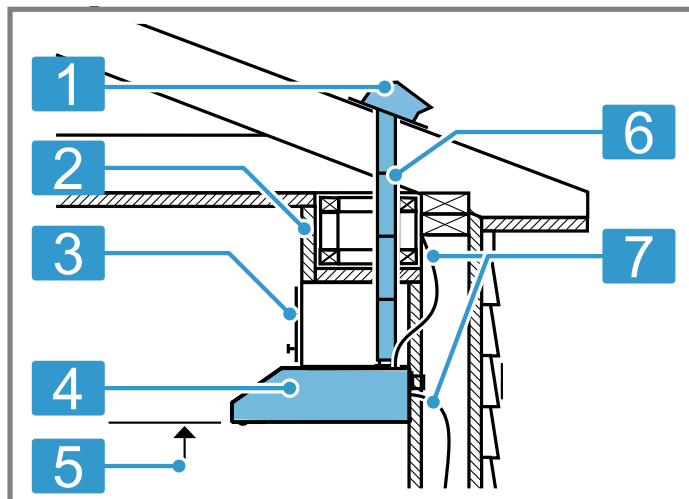
Consultar en la placa de especificaciones del producto, que incluye el modelo y el número de serie.

→ "Ubicación de la placa de características del aparato", Página 39

## 4 Preparativos del montaje

### 4.1 Preparación de los ductos

- Este aparato puede extraer el aire verticalmente hacia el exterior.
- El rendimiento adecuado depende de que los ductos sean los adecuados. Los códigos de construcción locales pueden exigir que se utilicen sistemas de aire de reposición cuando se use un sistema de ventilación con ductos cuya cantidad de pies cúbicos por minuto (CFM, por sus siglas en inglés) de aire sea superior a la que está indicada.
- **NO USAR DUCTOS FLEXIBLES** porque provocan contrapresión y turbulencias y reducen el rendimiento.
- Instalar siempre una cubierta de ventilación metálica en el lugar de la carcasa donde sale el ducto.
- Las instalaciones en **CLIMAS FRÍOS** deben contar con una compuerta de tiro trasero adicional para minimizar el retorno de las corrientes de aire frío y un aislante térmico no metálico para minimizar la conducción de la temperatura del exterior por parte de los ductos. La compuerta debe colocarse en el lado del aire frío del aislante térmico. El aislante debe estar tan cerca como sea posible de la parte donde el ducto entra en la parte caliente de la carcasa.
- **AIRE DE REPOSICIÓN:** los códigos de construcción locales pueden exigir que se utilicen sistemas de aire de reposición cuando se use un sistema de ventilación con ductos cuya cantidad de pies cúbicos por minuto (CFM, por sus siglas en inglés) de aire sea superior a lo que está indicado. La cantidad de pies cúbicos por minuto indicados varía de un lugar a otro. Es responsabilidad del propietario y del instalador determinar si se aplican otros requisitos o normas en instalaciones específicas.
- Para reducir el riesgo de incendio y para hacer que el aire se evacue correctamente, asegurarse de canalizar todo el aire hacia el exterior. No dirigir el aire de salida hacia lugares cerrados, espacios dentro de paredes, techos, áticos, entresijos o cocheras.
- Tender el ducto de modo que sea lo más corto y esté lo más recto posible. Los racores en codo y las transiciones reducen la eficacia de la circulación de aire. Colocar codos uno al lado de otro o en forma de «S» da malos resultados y no es recomendable.



- |   |  |
|---|--|
| 1 | Cubierta de techo  |
| 2 | Parte de abajo de la estructura  |
| 3 | Gabinete   |
| 4 | Campana  |
| 5 | Distancia sobre la superficie de cocción: <ul style="list-style-type: none"> <li>■ mín. 24" sobre placas de cocción eléctricas</li> <li>■ mín. 30" sobre placas de cocción de gas</li> </ul> |
| 6 | Descarga vertical  |
| 7 | Cableado doméstico (en la parte superior o trasera de la campana)  |

### Instalar los ductos

Seguir estas instrucciones para instalaciones con ductos.

1. La campana se puede conectar con una dirección de descarga vertical con una placa de ducto redondo de 8".
2. Determinar por dónde pasará el ducto entre la campana y el exterior.
  - El ducto entre la campana y el exterior de la casa tiene un gran impacto en el flujo de aire y el consumo energético de la campana.
  - Utilizar la ruta de ductos más corta y recta posible para obtener el mejor desempeño.
  - Evitar instalar la campana con ductos más pequeños de los recomendados.
  - El aislamiento alrededor de los ductos puede disminuir la pérdida de energía e inhibir el crecimiento de moho.
  - Si se conecta la campana a los ductos existentes podría no alcanzarse un flujo de aire nominal.
  - Consultar la tabla sobre la longitud de los ductos para planear la instalación más eficiente posible.
3. Instalar una cubierta de pared o de techo (se venden por separado); asegurarse de que no haya fugas en el aislamiento de la casa.
4. Conectar los ductos metálicos a la cubierta de la pared o del techo y trabajar hacia la ubicación de la campana. Utilizar cinta adhesiva de lámina metálica de 2" para sellar las juntas entre las secciones de los ductos.

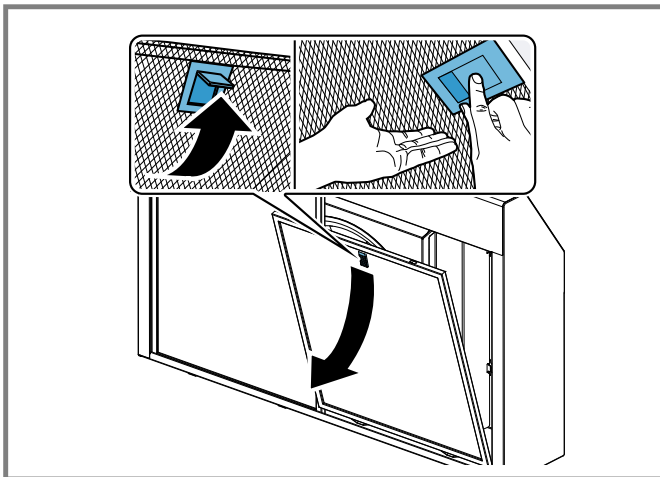
## Longitud máxima recomendada del ducto

Seguir las recomendaciones siguientes sobre la longitud del ducto para alcanzar un 80 % de eficiencia de escape.

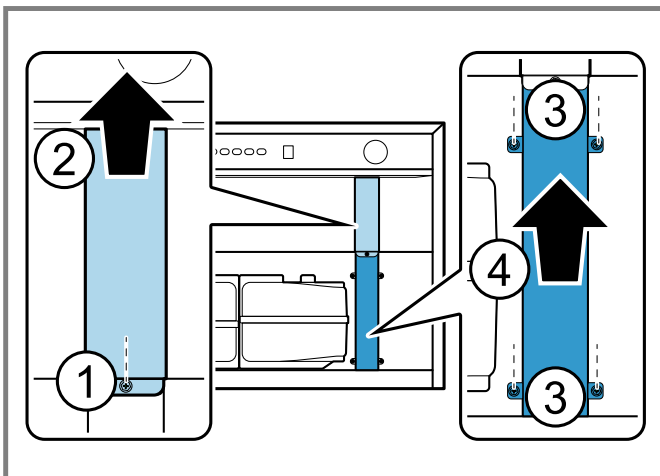
ducto redondo de 8" descarga vertical longitud máxima del ducto	Cubierta de techo o pared con compuerta	Acodadura(s) de 90 ° y/o 45 ° (acodaduras estándar con radio interno de 1")
92 pies	1	0
78 pies	1	1
62 pies	1	2

## 4.2 Preparar el aparato

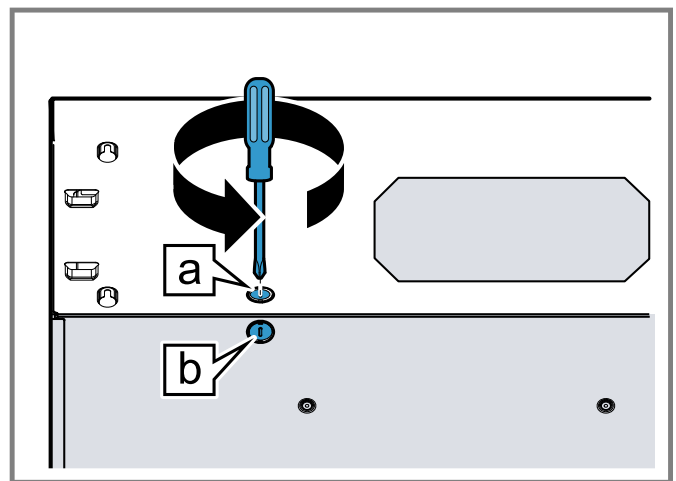
- Retirar todo el embalaje y la lámina protectora de la protección de la campana y las demás piezas.
- Retirar los filtros antigrasa de la campana.
  - Abrir el seguro del filtro, luego empujar el filtro hacia abajo ① e inclinarlo hacia afuera ②.



- Retirar las cubiertas de cableado.
  - Retirar el tornillo que une dos piezas de la cubierta de cableado.
  - Retirar la cubierta de cableado de la parte inclinada de la campana.
  - Retirar los 4 tornillos de la cubierta de cableado restante y levantar la cubierta de cableado.



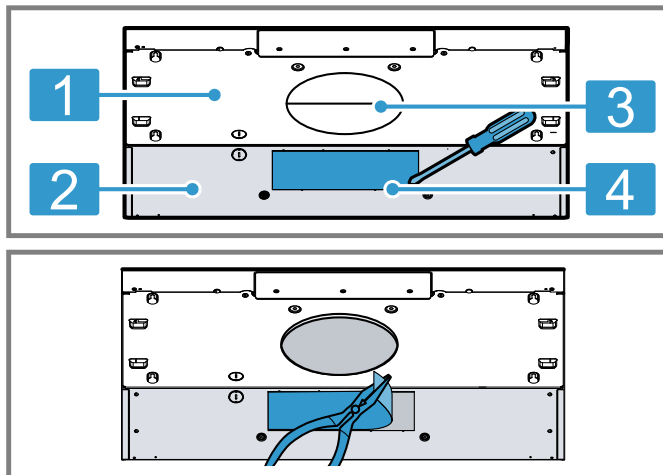
- Retirar la perforación desprendible del cable de alimentación eléctrica de la campana. Retirar la perforación desprendible superior [a] para el cableado vertical, o la perforación desprendible trasera [b] para el cableado horizontal. Instalar un prensacable (no incluido) de 1/2" adecuado.



## Instalar el conjunto de compuerta

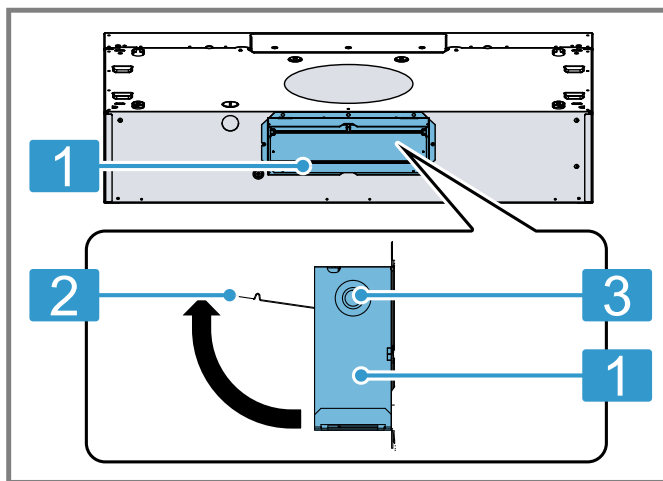
Estos pasos solo son necesarios para instalaciones con ductos.

1. Dependiendo de la dirección de descarga requerida, retirar la perforación desprendible en la parte superior o posterior de la campana.



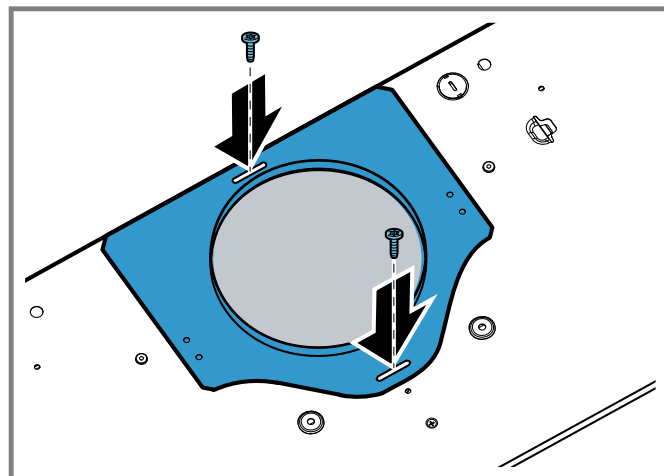
- 1 Parte superior de la campana
- 2 Parte posterior de la campana
- 3 Placa desprendible redonda para descarga vertical
- 4 Placa desprendible rectangular para descarga horizontal

2. **Para ductos horizontales con ductos rectangulares en la parte posterior de la campana:** Fijar el conjunto de compuerta rectangular o la placa de ducto redondo sobre la perforación desprendible, según el tipo de instalación. Consultar las siguientes imágenes.



- 1 Conjunto de compuerta
- 2 Tapa de compuerta  
Al instalarse, se debe abrir la tapa de la compuerta tal como se muestra.
- 3 Pivote de la tapa de compuerta

3. **Para ductos verticales con un ducto redondo en la parte superior de la campana:** Instalar la placa de ducto redondo sobre la perforación desprendible utilizando 2 tornillos de la bolsa de piezas.



Para permitir ductos descentrados, la placa de ducto redondo se puede instalar con hasta 1/2" a cada lado del centro de la campana.

**Nota:** Insertar un pequeño tramo de ducto sobre el conjunto de compuerta rectangular o la placa de ducto redondo y sellar la junta utilizando cinta adhesiva de papel aluminio para facilitar la conexión con los ductos de la casa.

## 5 Instrucciones de instalación

Tener presente esta información al instalar el aparato.

### ⚠ ADVERTENCIA

Antes de realizar la instalación, desconectar la alimentación eléctrica en el panel de servicio.

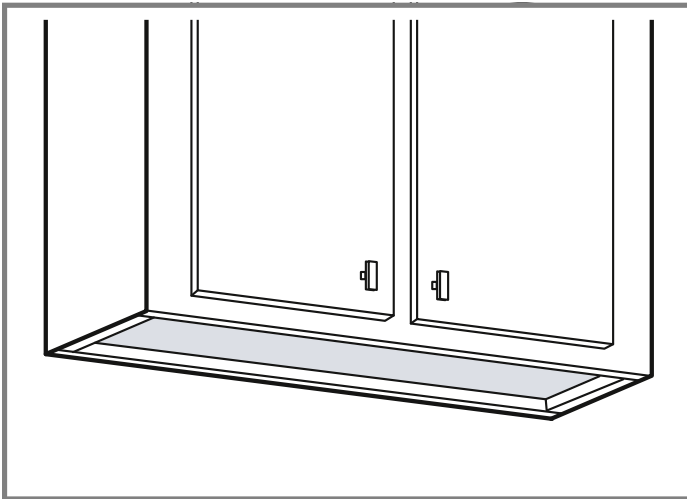
- Bloquear el panel de servicio para impedir que se conecte accidentalmente la alimentación eléctrica.

### 5.1 Tipos de gabinetes de cocina

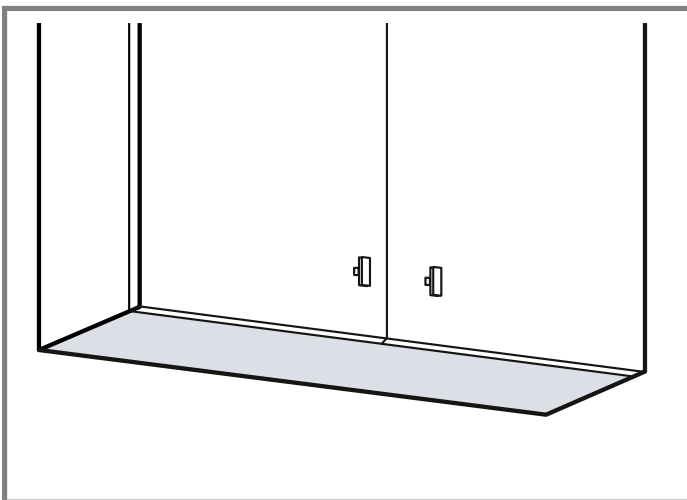
Identificar el tipo de gabinete de cocina antes de iniciar la instalación.

Verificar la parte inferior del gabinete de cocina en el que se desea instalar la campana.

### Gabinete con marco



### Gabinete sin marco



## 5.2 Preparar el espacio para la campana

1. Utilizar el diagrama correspondiente para ver la ubicación de los ductos y la abertura eléctrica en el gabinete o la pared. Para una instalación sin ductos, NO realizar un corte de acceso para ductos, solamente cortar un orificio para el cableado eléctrico.

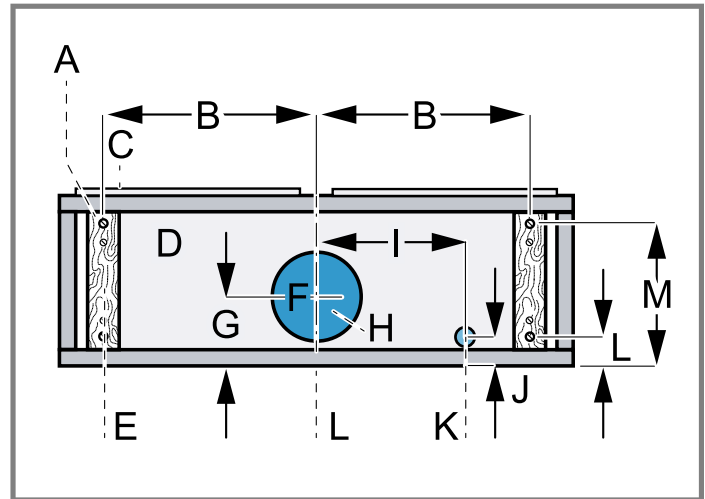
→ "Dimensiones de montaje", Página 36

2. Instalar parcialmente cuatro (4) tornillos de montaje de cabeza redonda núm. 8 x 5/8" en las calzas o el gabinete, de acuerdo con lo indicado en el diagrama correspondiente.

Los tornillos de montaje se incluyen en la bolsa de piezas, pero las calzas de madera y los tornillos para montaje de calzas no están incluidos.

## Dimensiones de montaje

Consultar las medidas proporcionadas a continuación para su tipo de instalación.



### ductos verticales redondos de 8"

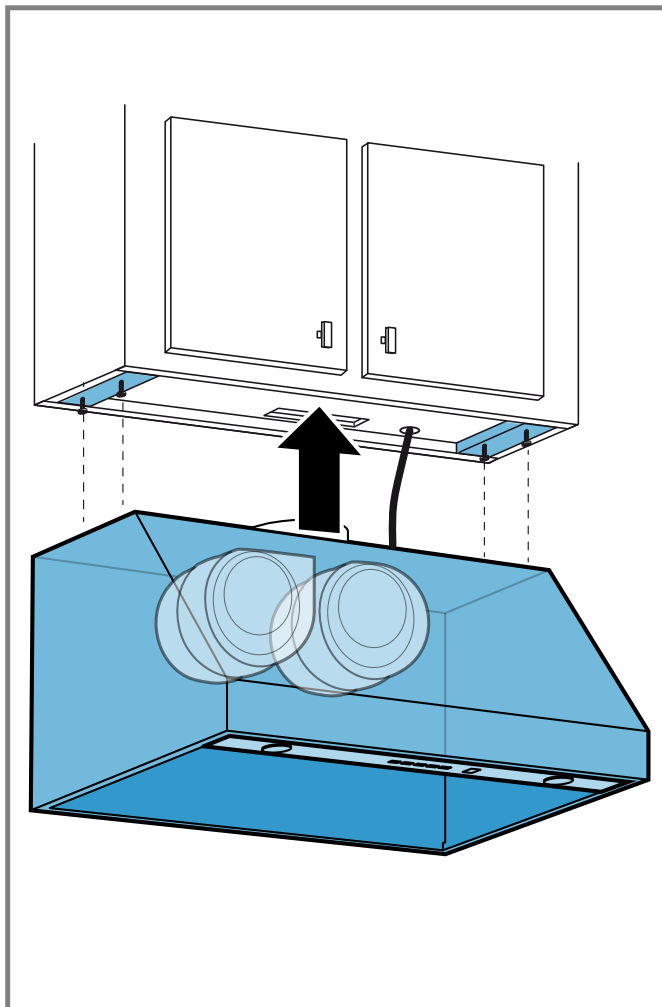
☉	Línea central
A	Tornillos de montaje de la campana (4)
B	<ul style="list-style-type: none"> <li>■ Campanas de 30": 12<sup>7</sup>/<sub>8</sub>" (327 mm)</li> <li>■ Campanas de 36": 15<sup>7</sup>/<sub>8</sub>" (404 mm)</li> </ul>
C	Parte frontal del gabinete
D	Parte inferior del gabinete
E	Calzas de madera (solo fondos de gabinete con marco)
F	Orificio de acceso para ducto redondo de 8"
G	4 <sup>1</sup> / <sub>16</sub> " (119 mm)
H	Orificio de 8" de diámetro
I	7 <sup>3</sup> / <sub>16</sub> " (183 mm)
J	1 <sup>3</sup> / <sub>8</sub> " (35 mm)
K	Orificio de acceso eléctrico (en el fondo del gabinete)
L	1 <sup>1</sup> / <sub>2</sub> " (38 mm)
M	10 <sup>15</sup> / <sub>16</sub> " (278 mm)

## 5.3 Instalar la campana

1. Pasar el cable de alimentación de la casa entre el panel de servicio y la ubicación de la campana. Pasar el cable de alimentación de la casa por la campana a través del alivio de tensión instalado previamente.

→ "Preparar el aparato", Página 34

2. Colgar la campana de los (4) tornillos de montaje instalados previamente. Deslizar la campana hacia la pared hasta que las cabezas de los tornillos encajen en el extremo angosto de las ranuras de cerradura en la parte superior de la campana. Apretar firmemente los tornillos.



3. Fijar el cable de alimentación a la campana utilizando el alivio de tensión.

4. Conectar los ductos a la campana y utilizar cinta adhesiva de papel aluminio para que las uniones estén seguras y herméticas.

Asegurarse de que el conjunto de compuerta o la placa del ducto redondo se introduzcan en los ductos y que el de compuerta se pueda abrir y cerrar libremente.

## 5.4 Conexión de cableado eléctrico

### ⚠ ADVERTENCIA

Riesgo de descarga eléctrica

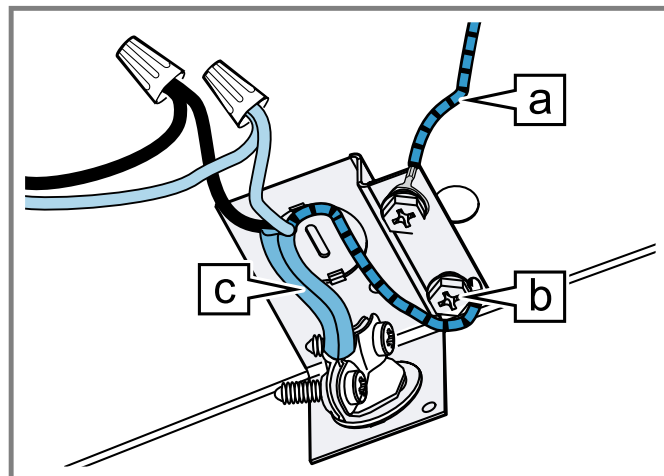
- ▶ El trabajo de cableado eléctrico deberá realizarlo personal calificado de acuerdo con todos los códigos y normas aplicables.

Antes de realizar la instalación, desconectar la alimentación eléctrica en el panel de servicio.

- ▶ Bloquear el panel de servicio para impedir que se conecte accidentalmente la alimentación eléctrica.

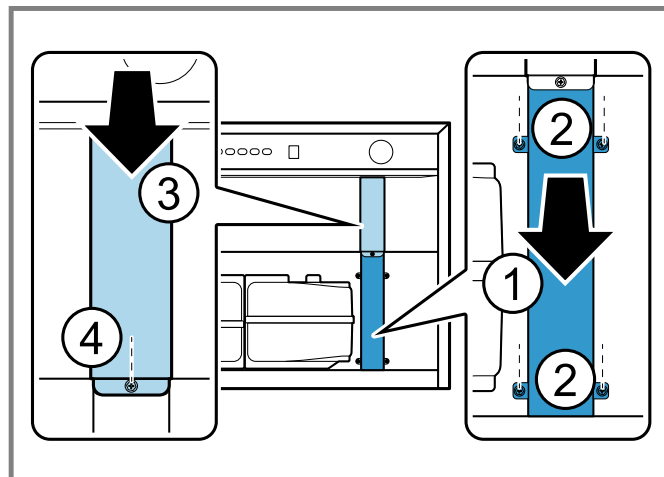
1. Conectar el cable de alimentación de la casa al cableado de la campana:

- NEGRO a NEGRO
- BLANCO a BLANCO
- VERDE o cable desnudo debajo del tornillo a tierra VERDE



- |   |                                  |
|---|----------------------------------|
| a | Cable de tierra del motor        |
| b | Tornillo a tierra                |
| c | Cable de alimentación de la casa |

2. Volver a instalar la segunda cubierta de cableado con 4 tornillos, luego vuelva a instalar la primera cubierta de cableado y fijarla con el único tornillo donde se unen las dos cubiertas de cableado.



## 5.5 Instalar los filtros

1. Solo para instalación con ductos:

- Volver a instalar los filtros antigrasa que se retiraron anteriormente.  
→ "Preparar el aparato", Página 34

2. Solo para instalación sin ductos:

- Comprar 2 filtros sin ductos con su distribuidor o vendedor local. Consultar la placa de características para ver el tipo de filtro.  
→ "Ubicación de la placa de características del aparato", Página 39

- Conectar los filtros sin ductos siguiendo las instrucciones incluidas con los filtros sin ductos.

## 5.6 Kit de recirculación, serie 800 / Benchmark® –HEZVEUD302 / HEZVEUD362

1. Para que las campanas estén en modo de recirculación, deben instalarse algunos conductos en la parte superior del mueble, o en la cara o el lateral de un sofíto, para descargar el aire de vuelta a la habitación.
2. Fijar 15" como mínimo de conducto metálico (no incluido) directamente al conector del conducto de ventilación.
3. Establecer la conexión con la abertura en el mueble o el sofíto.
4. Si utiliza una rejilla de guía de aire (no incluida), atornillarla al mueble y fijar el conducto a la rejilla.
5. Sellar las juntas con cinta adhesiva metálica.
6. Instalación de filtros para el modo de recirculación de aire
7. Retirar los filtros antigrasa de la campana. Instalar un filtro de carbón (incluido en el kit del filtro de carbón) en cada parte posterior metálica del filtro antigrasa (A). Introducir los dos extremos de dos tiras metálicas (incluidas en el kit del filtro de carbón) en cada ranura del bastidor (B) del filtro metálico antigrasa para mantener el filtro de carbón en su sitio.
8. Volver a instalar los filtros antigrasa; con la otra mano, agarrar por debajo del filtro de grasa metálico hacia arriba y encajar el pestillo en su sitio.
9. El montaje incorrecto de aparatos de gas y campanas de ventilación puede provocar un riesgo de escape de monóxido de carbono, que puede resultar dañino. Para reducir el riesgo de intoxicación por monóxido de carbono, asegurarse de que el aparato de gas esté correctamente instalado según las instrucciones del fabricante, así como de que la campana extraiga el aire hacia el exterior para la correcta extracción de gases o humos. Consultar los códigos de construcción locales para conocer los requisitos y las restricciones durante la instalación de productos de ventilación en modo de recirculación.

## 6 Lista de comprobación del instalador

### Comprobación final

- |                          |   |
|--------------------------|---|
| <input type="checkbox"/> | Se mantienen las distancias especificadas a las superficies de los gabinetes. |
| <input type="checkbox"/> | El aparato está nivelado.   |
| <input type="checkbox"/> | Se ha retirado todo el material de empaque.                                   |
| <input type="checkbox"/> | La conexión a tierra es adecuada.   |
| <input type="checkbox"/> | El propietario conoce la ubicación del interruptor de circuito principal.     |

- |                          |   |
|--------------------------|---|
| <input type="checkbox"/> | <b>INSTALADOR:</b> escribir el número de modelo y el número de serie que se encuentran en manual.<br>Dejar manual y manual de instalación con el dueño del aparato. |
|--------------------------|---|

### Limpiar y proteger las superficies exteriores

- Limpiar las superficies de acero inoxidable con un paño húmedo enjabonado. Enjuagar con agua limpia y secar con un paño suave para evitar marcas de agua. Eliminar las huellas dactilares y las manchas con un limpiavidrios suave.
- Usar un producto de limpieza para acero inoxidable con un paño suave para dar brillo y proteger el acero inoxidable. El acondicionador de acero inoxidable Thermador está disponible para su compra en la tienda en línea de accesorios (solo EE.UU.) [www.bosch-home.com/us/shop](http://www.bosch-home.com/us/shop).
- No utilizar el acondicionador en superficies que no sean de acero, logotipos, marcas de control, etiquetas, acero inoxidable negro o a prueba de manchas e interiores de electrodomésticos.
- NO dejar que la suciedad permanezca largos períodos de tiempo.
- NO usar fibras de acero o cepillos de acero comunes. Se pueden pegar trozos pequeños de acero a la superficie y oxidarla.
- NO permitir que soluciones salinas, desinfectantes, blanqueadores o compuestos de detergentes tengan contacto prolongado con el acero inoxidable. Muchos de estos compuestos contienen químicos que podrían ser dañinos. Enjuagar con agua después de cada exposición y secar con un paño limpio.

### Solución de problemas

Para obtener información sobre solución de problemas consultar el manual.

Consultar la Garantía Limitada del Producto en la Guía de Uso y Cuidado. Al momento de llamar, tener preparada la información que aparece en la placa de características del producto.

## 7 Servicio de atención al cliente

En cada reparación cubierta por la garantía, nos aseguramos de que su aparato sea reparado con repuestos originales por un proveedor de servicio capacitado y autorizado. Solo utilizamos repuestos originales para todos los tipos de reparaciones. Las informaciones detalladas sobre el periodo de validez de la garantía y las condiciones de garantía las podrá encontrar en nuestras condiciones de garantía, con su distribuido o en nuestra página web.

Cuando se ponga en contacto con el servicio de atención al cliente, no olvide indicar el número de modelo (E-Nr.) y el número de fabricación (FD) de su aparato.

Las fuentes de luz se encuentran disponibles como repuesto y su sustitución solo la puede llevar a cabo personal cualificado.

USA:

1-800-944-2904

www.bosch-home.com/us/owner-support/get-support  
 www.bosch-home.com/us/shop  
 CA:  
 1-800-944-2904  
 www.bosch-home.ca/en/service/get-support  
 www.bosch-home.ca/en/service/cleaners-and-accessories



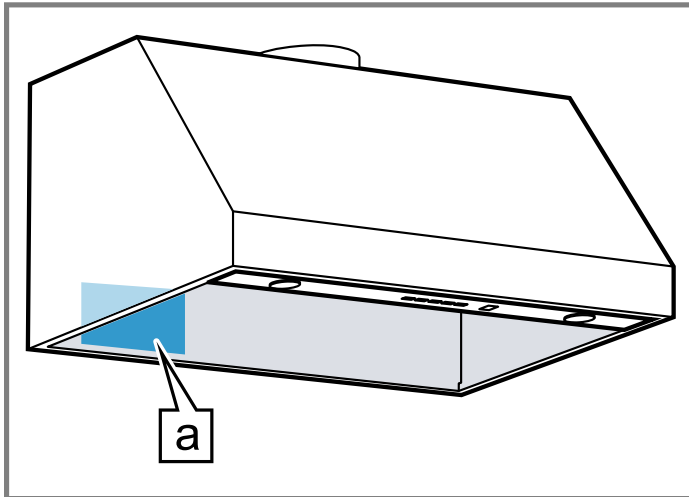
## 7.1 Número de modelo (E-Nr.) y número de fabricación (FD)

El número de modelo (E-Nr.) y el número de fabricación (FD) se encuentran en la placa de características del aparato.

Para volver a encontrar rápidamente los datos del aparato o el número de teléfono del servicio de atención al cliente, puede anotar dichos datos.

## 7.2 Ubicación de la placa de características del aparato

La placa de especificaciones del producto se encuentra en el marco detrás del filtro. Retirar el filtro para verla (ver la figura de abajo a modo de ejemplo).



**a** Placa de características

## 7.3 Registro del producto

Registrar su producto Bosch para acceder a la información relacionada con su producto.

Es posible registrar su producto a través de una de las siguientes maneras:

- Registrar el producto en línea en
  - EE. UU : [www.bosch-home.com](http://www.bosch-home.com)
  - Canadá: [www.bosch-home.ca/en/service/get-support](http://www.bosch-home.ca/en/service/get-support)
- Enviar la tarjeta completa de registro del producto a la dirección que figura en la misma.
- Escanea el código QR con tu smartphone y sigue las indicaciones:

- Llamar a Bosch Soporte de asistencia técnica al 1-800-944-2904.

Asegúrese de registrar su producto; La falta de registro no afectará sus derechos de garantía.



## Register your appliance to enjoy customized benefits.

Thank you for being a Bosch customer!  
Simply create a MyBosch account, then register your appliance.  
You'll find a variety of customized information in MyBosch such as:

- **Discounts for filters, cleaners, accessories & parts**
- **Easy access to manuals & appliance specifications**
- **Easy access to part lists**
- **Customized offer for the Bosch Appliance Service Plan (sent by mail after appliance registration)**

Register here:  
[www.bosch-home.com/us/owner-support/mybosch](http://www.bosch-home.com/us/owner-support/mybosch)

**BOSCH**  
HOME APPLIANCES  
**SERVICE**

## Looking for help? You'll find it here.

No matter what, no matter when: Bosch is here to support you.  
We're here to assist with usage instructions, cleaning tips,  
accessories & parts, troubleshooting, and repairs.  
Find online resources such as FAQs, how-to-videos, manuals,  
warranties and authorized Bosch servicers at:  
[www.bosch-home.com/us/owner-support/get-support](http://www.bosch-home.com/us/owner-support/get-support)

Contact us:  
**Please have your Model Number (E-Nr) ready when contacting us.**  
1-800-944-2904  
[www.bosch-home.com/us/owner-support/contact-us](http://www.bosch-home.com/us/owner-support/contact-us)

**BSH Home Appliances Corporation**  
1901 Main Street, Suite 600  
Irvine, CA 92614  
USA  
[www.bosch-home.com](http://www.bosch-home.com)  
1-800-944-2904  
© 2024 BSH Home Appliances Corporation



**8001296859** (050814)  
en-us, fr-ca, es-mx