

**24" Top Controls, Built-In Dishwasher, Stainless Tub, 45 dBA, 3rd Rack, ENERGY STAR®****DWT81800SSIH****Key Features & Benefits****Fingerprint Free Stainless Steel**

Keep your kitchen looking beautiful with easy-to-clean Fingerprint-Free Stainless Steel—say goodbye to fingerprints and smudges!

PowerWash Function

The PowerWash Function features a specially engineered 180-degree rotating arm with a 360-degree spinning head, delivering powerful sprays that reach every angle—ideal for tackling heavily soiled pots and pans with ease.

Full Size Third Rack

This versatile Full Size Third Rack is tailor-made for those occasions when you need extra space for cutlery, large utensils and small items.

Interior Illumination

A brilliant Interior Illumination ensures you can easily see every item, even in the farthest corners. This premium feature is one you didn't realize you needed—until now.

GENERAL PROPERTIES

Control Type	Electronic Touch Controls
Control Location	Top Controls
Handle Type	Pocket Handle
Finish	Fingerprint Free Stainless Steel
Tub Material	Stainless Steel
Interior Light	Yes
dBA	45 dBA
Loading Capacity	16 Place Settings
Third Rack	Yes

MAIN FEATURES

Wash System	5 Level Wash System
Drying System	Active Ventilation
Turbidity Sensor	Yes
Overflow Leak Protection	Yes
Adjustable Upper Rack	Yes (3 Positions)
Cutlery Basket	Yes - Sliding
Folding Tines Upper Rack	Yes
Folding Tines Lower Rack	Yes
Rinse Aid Indicator	Yes

PROGRAMS

# of Wash Programs	8
Auto	Yes
Express Dry	Yes
Glass Care	Yes
China/Crystal	No
MixWash+	Yes
Pots & Pans	Yes
Quick Wash	Yes
Regular	Yes
Clean & Dry	No
Rinse & Hold	Yes

FUNCTIONS

PowerWash with Extra Spray Arm	Yes
Half Load	Yes
Sanitize	Yes
SuperGloss	Yes
RapidClean	Yes
Extra Rinse	No
Extra Dry	No

DIMENSIONS

Product Dimensions (H x W x D)	32 3/16" x 23 9/16" x 21 5/8"
Required Cut Out Dimensions (H x W x D)	34" x 24" x 24"
Product Weight	93.9 lbs.
Leveling System	4 Leveling Legs

TECHNICAL DETAILS

Watts	1,200 W
Current	12 Amps
Volts	120 V
Frequency	60 Hz
Power Cord Length	4 ft.
Outlet Hose Length	6 ft.

EFFICIENCY

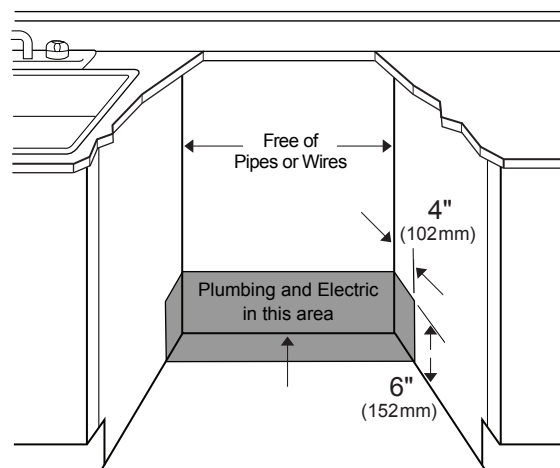
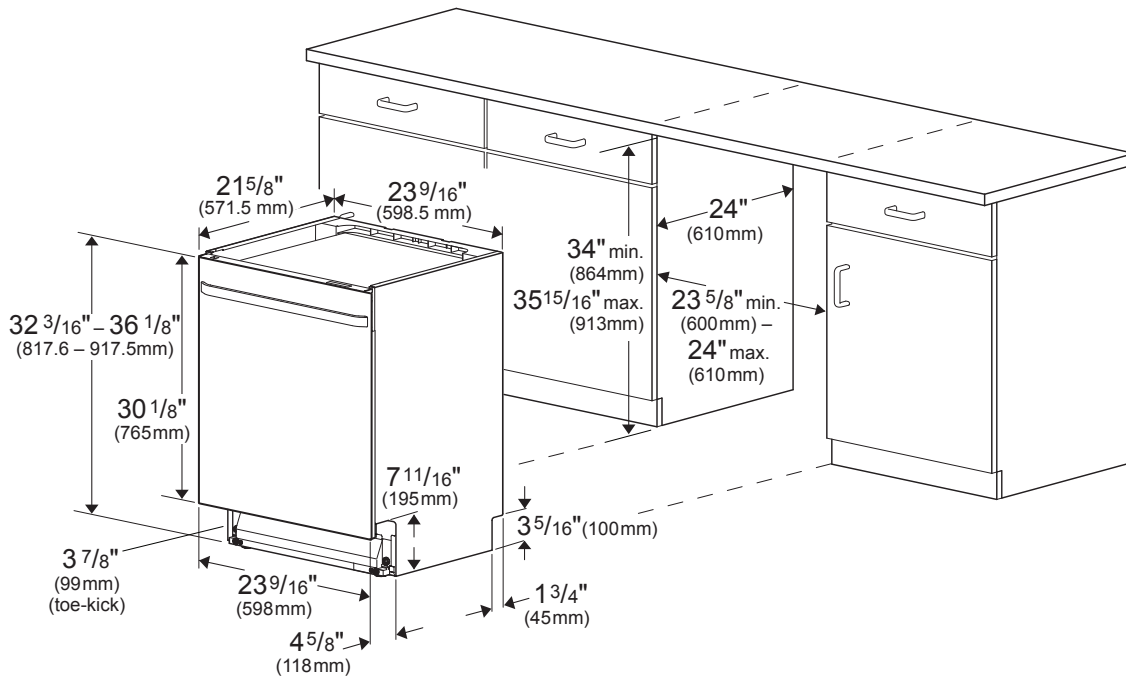
ENERGY STAR® Certified	Yes - Most Efficient
Energy Consumption	225 kWh
Water Consumption	5.60 Gal.



24" Top Controls, Built-In Dishwasher, Stainless Tub, 45 dBA, 3rd Rack, ENERGY STAR[®]

DWT81800SSIH

Dimensions and Installation



1 YEAR FULL WARRANTY	2 YEARS PARTS WARRANTY
-------------------------	---------------------------

NOTE TO THE INSTALLER: All height, width and depth dimensions are shown in inches (as well as metric). Beko US Inc., reserves the absolute and unrestricted right to change product materials and specifications, at any time, without notice. Please visit our website (Canada) www.blombergappliances.ca / (USA) www.blombergappliances.com to verify the latest specifications with final dimensional data and other details prior to installation and making a cutout. Applicable product limited warranty information may be found in accompanying product materials or you may contact your account manager for further details. Proper installation is the responsibility of the installer. Product failure due to improper installation is not covered under the Limited Warranty.

Canada: www.blombergappliances.ca
 USA: www.blombergappliances.com