

EN FRONT LOAD DRYER

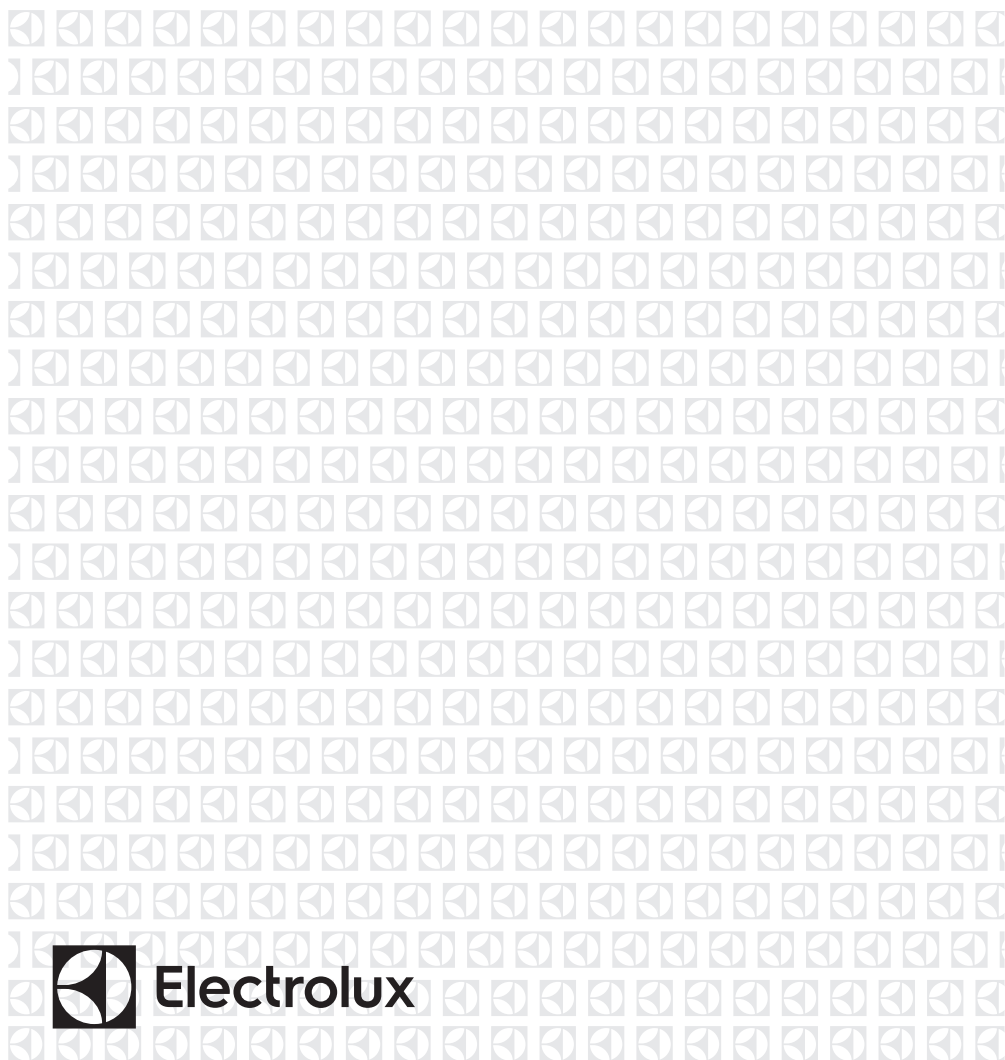
FR SÉCHEUSE À CHARGEMENT FRONTAL

ES SECADORA DE CARGA FRONTAL

USE & CARE GUIDE

GUIDE D'UTILISATION ET D'ENTRETIEN

GUÍA DE USO Y CUIDADO



Electrolux

2 Important Safety Instructions

Keep a record for quick reference

Purchase date

Electrolux model number

Electrolux serial number

Read all instructions before using this appliance. This book contains valuable information about:

- Operation
- Care
- Service

Keep it in a safe place.

This Use & Care Guide provides general operating instructions for your dryer. It also contains information about features for several other models. Your dryer may not have every feature included.

Use the dryer only as instructed in this Use & Care Guide.



NOTE

The instructions appearing in this Use & Care Guide are not meant to cover every possible condition and situation that may occur. Common sense and caution must be practiced when installing, operating and maintaining any appliance.

Table of Contents

Important Safety Instructions	2
Features	5
Operating Instructions	6
Controls and Settings	9
Care and Cleaning	14
Solutions to Common Problems	17
Limited Warranty	19

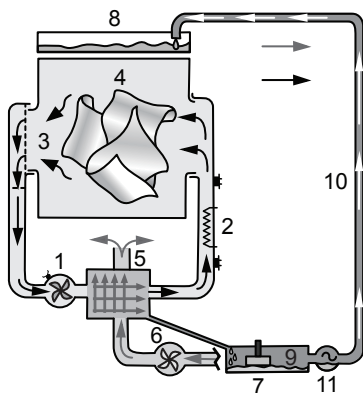
Thank you for choosing an Electrolux Compact Ventless Dryer. This dryer operates on a different drying principle than traditional exhaust ducted dryers. Your new dryer is a condensation, ventless dryer and DOES NOT require exhaust venting that exhausts the drying process air to the outside.

A condensation dryer works through a closed loop circuit. The drying process air is heated by an internal heating element, which then passes over and through your clothes. The moisture rich air proceeds down through a lint filter, then through an air-air heat exchanger that works as a condenser. The warm, wet air is cooled by a separate secondary fan that utilizes ambient room air. When the process air cools down, it releases moisture that is collected in a recovery basin at the bottom of the appliance. The water can be either pumped down the drain by the provided kit, or pumped directly into a tank that needs to be emptied after each drying cycle.



IMPORTANT

Your new dryer is a condensation, ventless dryer and **DOES NOT** require exhaust venting that exhausts the drying process air to the outside.



- | | |
|---|--|
| 1. Primary circuit – drying process air fan | 6. Secondary circuit – ambient air fan |
| 2. Heating element | 7. Drain water basin |
| 3. Lint filter | 8. Water tank |
| 4. Clothes load | 9. Float/pump switch |
| 5. Heat exchanger | 10. Water drain tube |
| | 11. Water pump |

SAVE THESE INSTRUCTIONS FOR FUTURE REFERENCE.



WARNING

Please read all instructions before using this dryer.

Recognize Safety Symbols, Words and Labels

Safety items throughout this manual are labeled with a WARNING or CAUTION based on the risk type as described below:

Definitions

! This is the safety alert symbol. It is used to alert you to potential personal injury hazards. Obey all safety messages that follow this symbol to avoid possible injury or death.



DANGER

DANGER indicates an imminently hazardous situation which, if not avoided, will result in death or serious injury.



WARNING

WARNING indicates a potentially hazardous situation which, if not avoided, could result in death or serious injury.



CAUTION

CAUTION indicates a potentially hazardous situation which, if not avoided, may result in minor or moderate injury.



IMPORTANT

Indicates installation, operation, or maintenance information which is important but not hazard-related.



WARNING RISK OF FIRE

To reduce the risk of fire, electrical shock, or injury to persons when using this dryer, comply with the basic warnings listed below. Failure to comply with the Important Safety Instruction warnings could result in property damage, serious personal injury, or death.

Prevent Fire

- DO NOT dry items that have been previously cleaned in, soaked in, or spotted with gasoline, cleaning solvents, kerosene, waxes, or other flammable or explosive substances. DO NOT store these items on or near the dryer. These substances give off vapors that could ignite or explode.
- DO NOT place items exposed to cooking oils in your dryer. Items contaminated with cooking oils may contribute to a chemical reaction that could cause a load to catch fire. To reduce the risk of fire due to contaminated loads, the final part of a tumble dryer cycle occurs without heat (cool down period). Avoid stopping a tumble dryer before the end of the drying cycle unless all items are quickly removed and spread out so that the heat is dissipated.
- DO NOT dry articles containing rubber, plastic or similar materials such as bras, galoshes, bath mats, rugs, bibs, baby pants, plastic bags and pillows that may melt or burn. Some rubber materials, when heated, can under certain circumstances produce fire by spontaneous combustion.
- DO NOT dry items containing feathers or down, foam rubber, plastics similarly textured, rubber-like materials.
- DO NOT operate the dryer if the lint screen is blocked, damaged or missing. Fire hazard, overheating and damage to fabrics can occur.



WARNING

FIRE HAZARD

Clean the lint screen before or after each load. The interior of the dryer, lint screen housing and exhaust duct should be cleaned approximately every 18 months by qualified service personnel. An excessive amount of lint build-up in these areas could result in inefficient drying and possible fire. See *Care and Cleaning*.

- DO NOT obstruct the flow of ventilating air. DO NOT stack or place laundry or throw rugs against the front or back of the dryer.
- DO NOT spray any type of aerosol into, on or near dryer at any time.
- DO NOT use fabric softeners or products to eliminate static unless recommended by the manufacturer of the fabric softener or product.

4 Important Safety Instructions



WARNING

DO NOT continue to use the dryer if you hear squeaking, grinding, rubbing or other unusual noises. This could be a sign of mechanical breakdown and lead to fire or serious injury.

Contact a qualified technician immediately.

- Failure to comply with these warnings could result in fire, explosion, serious bodily injury and/or damage to the dryer.

Protect Children

- DO NOT allow children to play on or in the dryer. Close supervision of children is necessary when the dryer is used near children. As children grow, teach them the proper, safe use of all appliances.
- Recycle the carton and dispose of the plastic bag and other packing materials after the dryer is unpacked. Children might use them for play. Cartons covered with rugs, bedspreads or plastic sheets can become airtight chambers.
- Keep laundry products out of children's reach. To prevent personal injury, observe all warnings on product labels.
- Before the dryer is removed from service or discarded, remove the dryer door to prevent accidental entrapment.
- Failure to comply with these warnings could result in serious personal injuries.

Prevent Injury

- To prevent shock hazard and assure stability during operation, the dryer must be installed and electrically grounded by a qualified service person in accordance with local codes. Installation instructions are packed in the dryer for the installer's reference. Refer to *Installation Instructions* for detailed grounding procedures. If the dryer is moved to a new location, have it checked and reinstalled by a qualified service person.
- ALWAYS disconnect the dryer from the electrical supply before attempting any service or cleaning. Failure to do so can result in electrical shock or injury.

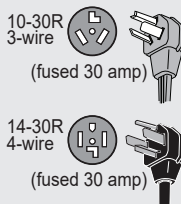


WARNING

FIRE/ELECTRICAL SHOCK HAZARD

Avoid fire hazard or electrical shock. DO NOT use an adaptor plug or extension cord or remove grounding prong from electrical power cord. Failure to follow this warning can cause serious injury, fire, or death.

240V/208V Electric Dryer



UL-approved service cord must be installed on electric dryers (not provided with unit except those manufactured for sale in Canada).

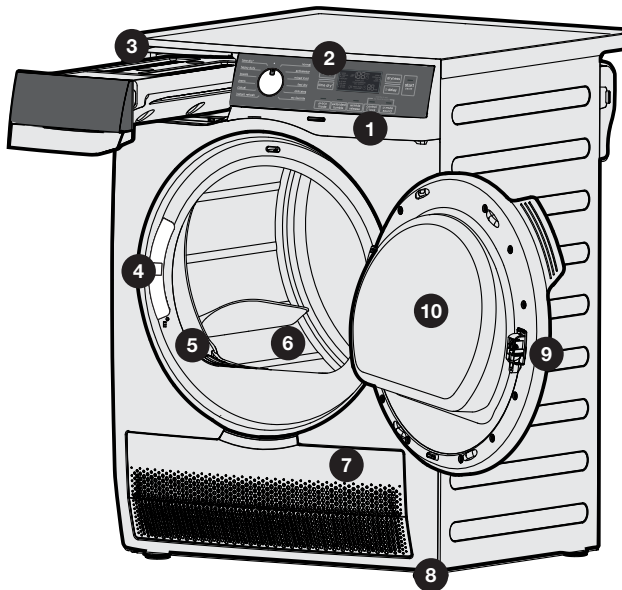
- DO NOT use any type of spray cleanser when cleaning dryer interior. Hazardous fumes or electrical shock could occur.
- To prevent injury, DO NOT reach into the dryer if the drum is moving. Wait until the dryer has stopped completely before reaching into the drum.

Prevent Injury and Damage To The Dryer

- All repairs and servicing must be performed by an authorized service provider unless specifically recommended in this *Use & Care Guide*. Use only authorized factory parts.
- DO NOT tamper with controls.
- Do not sit on, step on or stand on the dryer. Doing so may cause damage to the unit.
- DO NOT install or store the dryer where it will be exposed to the weather.
- Failure to comply with these warnings could result in serious personal injuries.
- Do not use replacement parts that have not been recommended by the manufacturer (e.g. parts made at home using a 3D printer).



As an ENERGY STAR® Partner, Electrolux Major Appliances has determined that this product meets the ENERGY STAR® guidelines for energy efficiency.



1. Control Lock	6. Moisture Sensor (Located behind Lint Filter)
2. LED Display	7. Condenser Access Door
3. Water Container	8. Adjustable Leveling Legs
4. Door Latch	9. Door Strike
5. Lint Filter	10. Reversible Door

*Not all models come with a stacking kit from the factory. It may be purchased as an accessory.

Power Pass-Through

The dryer features an outlet on the rear side to be used with only the following 120 V Electrolux compact washer models:

EFLS210TIW

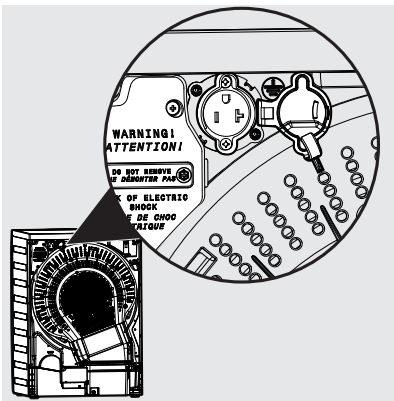
EFLS210TIS

ELFW4222AW



NOTE

Keep the outlet closed if a compatible Electrolux washer plug is not connected to the dryer.



WARNING

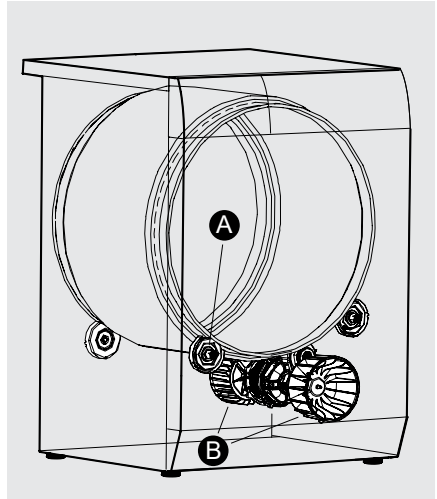
NOT A GENERAL USE RECEPTACLE! Only for use with compatible Electrolux washer models listed in this Use & Care Guide.

6 Operating Instructions

Normal Operating Sounds

You may or may not hear the following sounds from your new dryer:

- A. SUSPENSION ROLLERS** The dryer drum is supported by a set of suspension rollers. At times there may be a thumping or rolling sound when the dryer starts. This may happen if the dryer has not been in use for a period of time, or after a heavy load has remained in the dryer drum for an extended period, creating a temporary flat spot on the edge of the roller. The noise should dissipate as the dryer operates and the flat spots smooth out.
- B. AIR FLOW SYSTEM** Your dryer is equipped with a high volume air handling system. In some installations there may be some sounds associated with air movement throughout the dryer. This is normal and can vary with load size and type.



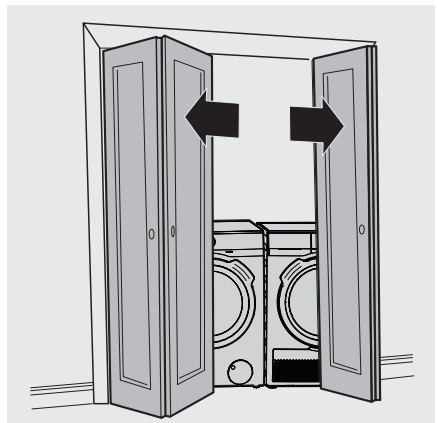
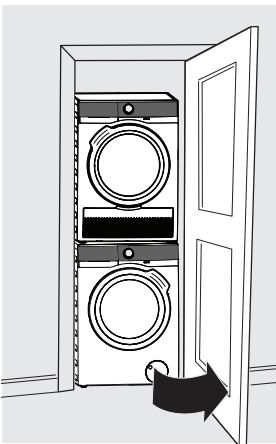
CAUTION

Do not continue to use the dryer if you hear squeaking, grinding, rubbing or other unusual noises. This could be a sign of mechanical breakdown and lead to fire or serious injury. Contact a qualified technician immediately.



IMPORTANT

If installing the dryer in a closet, the closet door must remain open while the dryer is running to allow correct air circulation. This condensation process requires access to cool air from the room.



Operating Your Dryer



WARNING

To reduce the risk of fire, electric shock or injury to persons, read the IMPORTANT SAFETY INSTRUCTIONS in this *Use & Care Guide* before operating your dryer.



WARNING

DO NOT operate dryer without lint filter in place.



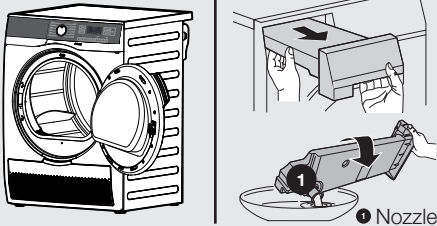
WARNING

Clean the lint filter and empty the water container after every load.



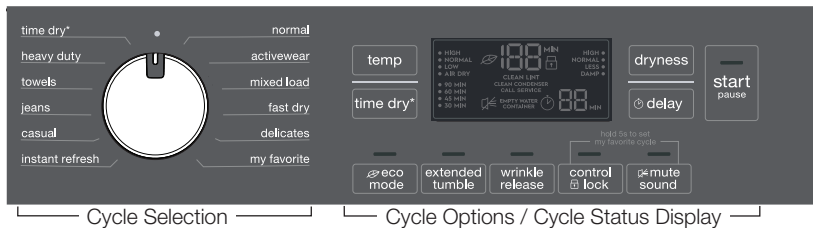
NOTE

The electric dryer has been designed and certified to operate at both 240V and 208V. Drying times on a 208V power supply will be approximately 20% longer than drying times on a 240V power supply. This is normal and expected behavior and applies to all drying cycles.

STEPS	TIPS	IMPORTANT
<p>1. Prepare load for drying.</p>	<ul style="list-style-type: none"> • Dry items of similar fabric, weight and construction in the same load. • Separate dark items from light-colored items. Separate items that shed lint from those that attract lint. • Check for stains which may not have been removed in washing. Repeat stain removal process and wash again before drying. Dryer heat may permanently set some stains. • Place delicate, rubber coated, or small items in a mesh bag (not included). • Be sure buckles, buttons and trim are heatproof and won't damage the drum finish. Close zippers; fasten hooks and loop fasteners. Tie strings and sashes to prevent snagging and tangling. 	
<p>2. Check that the lint filter is clean, the water container is empty, and both are in place.</p>		<p>DO NOT operate dryer without lint filter in place.</p> <p>Extend the water container nozzle all the way out to ensure all water has been emptied from the container.</p>
<p>3. Load the dryer and close the door.</p>	<ul style="list-style-type: none"> • Load items loosely. The average wet load will fill the drum 1/3 to 1/2 full. Items need room to tumble freely for even drying and less wrinkling. • When drying large items, dry only two or three items at a time. Fill out the load with smaller items. • For delicate or very small loads, add two or three similar items to improve tumbling action. 	<p>DO NOT overload the dryer. To save energy and time, and to avoid uneven drying and wrinkling, avoid overloading the dryer.</p>

8 Operating Instructions

STEPS	TIPS	IMPORTANT
<p>4. Press the power button and select the appropriate cycle and settings for each load. Add cycle options as desired.</p>	<ul style="list-style-type: none"> • See <i>Cycle Selection</i>, <i>Cycle Settings</i>, and <i>Cycle Options</i> for detailed descriptions of cycle controls. • See <i>Settings Chart</i> to determine which settings are available for each cycle. • To provide the best care, not every setting or option is available with every cycle. If attempting to select an unavailable setting or option for any given cycle, a beep will be heard and the corresponding setting/option LED will not light. See <i>Settings Chart</i> for information of available options for each cycle by model. 	<p>DO NOT over-dry. Over-drying can cause wrinkles, shrinkage, lint, and a build up of static electricity.</p>
<p>5. Close the dryer door and start the drying cycle.</p>	<ul style="list-style-type: none"> • To start the drying cycle, close the door and press the start/pause button. • To add an item to the dryer drum, press start/pause. The estimated remaining cycle time will be shown in the display. The LED above the start/pause button will blink indicating that the cycle has been paused. Opening the door with a cycle running will also pause the cycle. Add the item, close the door and press start/pause again to resume the cycle. • To change the cycle and/or settings once the cycle has begun (after the start button has been pressed), either rotate the knob to the reset position (12 o'clock position) OR press the power button to turn off the unit and cancel the cycle. Press the power button again to turn on the unit. Select the new cycle and/or settings, and press start/pause to begin. Changing a cycle selection without canceling the current cycle WILL NOT change the cycle. <p>NOTE: There is an exception if the start button has been pressed to begin a cycle and the delay start function is activated and counting down. In this case, during the delay start countdown, the cycle can be paused and cycle settings can be changed. Then press start/pause again to resume the delay start countdown.</p> <ul style="list-style-type: none"> • To cancel a cycle, turn the knob to the reset position (12 o'clock position) OR press the power button to turn off the unit. 	<p>When drying a single large or bulky item, such as a comforter, pause the cycle part way through to turn the item "inside out" and maximize drying effectiveness.</p>
<p>6. Remove items when done.</p>	<ul style="list-style-type: none"> • A signal will sound at the end of the cycle if the mute sound option is not activated. • Immediately remove items when the cycle is completed and hang or fold. 	
<p>7. Clean the lint filter and empty the water container.</p>	<ul style="list-style-type: none"> • See <i>Care and Cleaning</i> section of this instruction. • CLEAN LINT will be displayed at the end of the cycle as a reminder to remove lint from filter. • EMPTY WATER CONTAINER will be displayed at the end of the cycle as a reminder to completely drain the container. This message may also be illuminated during the cycle if the container becomes full. 	<p>ALWAYS CLEAN LINT FROM FILTER and DRAIN WATER CONTAINER at the end of each cycle (see warning on previous page).</p>



Not all cycles, options, or features listed are available on every model. Console shown above for reference only. Your model may differ.

Cycle Selection

Press the **power** button to turn on the unit and turn the cycle selector to the desired cycle. The estimated drying time for Auto Dry cycles or the actual drying time for Time Dry cycles will be displayed on the display screen. Default settings and options will automatically be indicated for the cycle selected. In most cases cycle settings and options can be changed. See *Cycle Settings*, *Cycle Options*, and *Settings Chart* for more details.

NOTE

If the cycle selector indicator is pointed at the 12 o'clock position, then "--" will be displayed. Turning the cycle selector to any other position will result in the default cycle settings for the indicated dry program being illuminated.

NOTE

To change the cycle and/or settings once the cycle has begun (after the start button has been pressed), either rotate the knob to the reset position (12 o'clock position) OR press the power button to turn off the unit and cancel the cycle. Press the power button again to turn on the unit and select the new cycle and/or settings, and press start to begin. Changing a cycle selection without canceling the current cycle WILL NOT change the cycle.

Selecting the Right Cycle to Save Energy

This dryer has been specifically designed with options to help you save energy and at the same time utilize the optimal drying setting for your clothing.

The normal cycle was used to rate the dryer for energy efficiency. The normal cycle defaults to

high temperature setting, normal dryness level and eco mode option (if available) on.

Some cycles save more energy than others. Cycles that use the least amount of heat save the most energy. Use the lowest heat setting (auto and timed dry cycles) and less dry setting (auto dry cycles) to save on energy and prevent over drying your clothing.



Auto Dry Cycles

Auto Dry cycles take the guesswork out of selecting the correct drying time for each load. Moisture sensors sense the moisture level of the load as it tumbles through the heated air. With Auto Dry cycles, the load will automatically be dried at the selected temperature to the desired dryness level.

Auto Dry cycles save time and energy and protect fabrics. When the load has reached the selected dryness level, it will continue to tumble, unheated, during a cool down period. This helps reduce wrinkling and makes items easier to handle during unloading.

Drying times vary depending on size and dampness of the load and fabric type. If the load is too small or almost dry, the moisture sensors may not detect enough moisture to continue the cycle and the cycle may end after a few minutes. If this occurs, select a Timed Dry cycle.

NOTE

Initial cycle times for Auto Dry cycles are only estimates, the actual drying time may differ slightly from the time displayed.

10 Controls and Settings

Room temperature and electrical voltage can also affect drying time.

normal

Select this Auto Dry cycle for cotton items.

heavy duty

Select this Auto Dry cycle to dry durable fabrics such as jeans and overalls.

delicates

Select this Auto Dry cycle for knits and delicate items.

casual

Select this Auto Dry cycle for cottons and blends with a no-iron finish.

mixed load

Select this Auto Dry cycle to dry loads containing a mix of fabrics.

instant refresh

Select **instant refresh** to help remove wrinkles from clean and dry items that were not taken from the dryer at the end of the cycle, have been stored in crowded closets or drawers, or unpacked from luggage following a trip. It provides approximately 10 minutes of low heat tumbling followed by a 25-minute cool down period.

towels

Select this cycle to dry heavy loads such as towels and non-rubber-backed bath mats.

jeans

Select this Auto Dry cycle for drying an entire load of denim jeans.

fast dry

Quickly dry a small load.

activewear

Use this cycle to dry lightweight synthetic athletic apparel including stretch fabric.

my favorite

The my favorite cycle allows you to customize any existing dry program and save it as a unique cycle for future use. To do so, turn the cycle selector to the desired dry program. For example, if you would like your my favorite cycle to be based on the normal cycle, turn the cycle selector to normal. Next, modify any cycle settings that you would like to change (temperature, dryness level, and time if applicable), but note that not all cycle settings can be modified for every cycle. Select or deselect any options that you would like saved to your my favorite cycle. Finally, hold the control lock and mute sound buttons simultaneously for 5 seconds to

set the cycle. Now your unique my favorite cycle has been programmed, and you can retrieve your unique dry program by turning the cycle selector to the my favorite cycle position. You will need to go through this cycle programming exercise prior to using the my favorite cycle for the first time. You may change your unique my favorite cycle as many times as you like.

Timed Dry Cycles

time dry

To manually select the drying time for this cycle, turn the cycle selector to the time dry cycle. Use the corresponding time dry option button to scroll through time increments. Actual drying time (30 min. to 90 min.) will be displayed.

Because this is not an Auto Dry cycle, you will not be able to select a dryness level. Moisture sensing bars are not active and dryer will continue to heat throughout the cycle until the final cool down period.



NOTE

To change the settings once the cycle has begun (after the start button has been pressed), either rotate the knob to the reset position (12 o'clock position) OR press the power button to turn off the unit and cancel the cycle. Press the power button again to turn on the unit and select the new cycle and/or settings, and press start to begin. Cycle settings CANNOT be changed without canceling the current cycle.

Cycle Settings

Appropriate temperature, dryness level and options will be displayed for each cycle. The settings can be changed before the cycle is started. If changes are attempted after the cycle starts a signal will beep and "--" will be displayed.

Drying Temperature

To change the preset temperature, press the **temp** option button icons to scroll to the desired temperature setting.

To protect your fabrics, not all temperatures are available with every cycle. The indicator will not light if the setting is not available with that cycle.



WARNING

FIRE HAZARD

To avoid fire hazard, DO NOT dry items containing feathers or down, foam rubber, plastics similarly textured, rubber-like materials.

high

Recommended for durable fabrics and towels.

normal

Recommended for most cotton fabrics.

low

Recommended for delicate fabrics.

air dry

Uses only ambient air temperature without heat.

Dryness Level (Auto Dry)

To change the preset level, press the **dryness** option button to scroll to the degree of dryness desired.

To protect your fabrics, not all dryness levels are available with every cycle. If a dryness level is not appropriate for the cycle, it cannot be selected.

- Select the **normal** dry level for most Auto Dry cycles.
- Occasionally a load may seem too damp or over-dried at the end of the cycle. To increase drying time for similar loads in the future, select **high**.
- For loads requiring less drying time, select **less**.
- Select **damp** for items you wish to partially dry before hanging or ironing.

Adjusting the remaining moisture level

Your condensation dryer comes from the factory pre-set to dry your laundry at a standard level. If you would like to increase the dryness level of your laundry, you may follow these steps to change the default degree of remaining moisture:

1. Press the **power** button to turn on the unit.
2. Turn the cycle selector to any dry program.
3. Wait approximately 8 seconds.
4. Press and hold the **extended tumble** and **wrinkle release** buttons simultaneously for 4 seconds.

One of the following indications will appear on the display:

- 0- Standard dry level (factory default)
- 1- More dry level (this will increase the time of each cycle by approx. 10%)
- 2- Max dry level (this will increase the time of each cycle by approx. 20%)

Please note that this dryness level change will apply to every dry cycle and cycle settings combination except for the time dry cycle.

The time dry cycle dryness level and available cycle times cannot be changed by adjusting the remaining moisture level setting.

5. Press and hold the **extended tumble** and **wrinkle release** buttons simultaneously again for 4 seconds to continue scrolling through the dryness levels. Repeat this step until the number of the desired remaining moisture level appears in the display.
6. Once the desired remaining moisture number is shown in the display, wait 5 seconds. The display will then return to the normal mode and the selected remaining moisture level will be used for each future cycle.

Cycle Options

To add options, press the corresponding option button to illuminate the selection desired. To delete options, press the option button again and the indicator light will turn off. If attempting to select an unavailable setting or option for any given cycle, a beep will be heard and the corresponding setting/option LED will not light. To protect your fabrics, not all options are available with every cycle. Not all options are available on every model.

wrinkle release

Select **wrinkle release** if the dried load might not be removed promptly at the end of the cycle. This option provides an additional 30 minutes of short intermittent tumbling. The drum will tumble a few seconds in each direction, then rest for approximately 30 seconds before repeating. The load may be removed at any time during **wrinkle release**. A beep will be heard periodically throughout this phase if the mute sound option is not selected.

12 Controls and Settings



eco mode

Select eco mode to run a more eco friendly cycle with reduced temperature. Cycle times with eco mode selected will be longer.

extended tumble

Select extended tumble if the dried load might not be removed promptly at the end of the cycle. This option provides an additional 30 minutes of tumbling time without heat. The drum will reverse its spinning direction every 2 minutes during this phase. The load may be removed at any time during extended tumble. A beep will be heard periodically throughout this phase if the mute sound option is not selected.



NOTE

To change the options once the cycle has begun (after the start button has been pressed), either rotate the knob to the reset position (12 o'clock position) OR press the power button to turn off the unit and cancel the cycle. Press the power button again to turn on the unit and select the new cycle and/or settings and/or options, and press start to begin. Cycle options CANNOT be changed without canceling the current cycle.

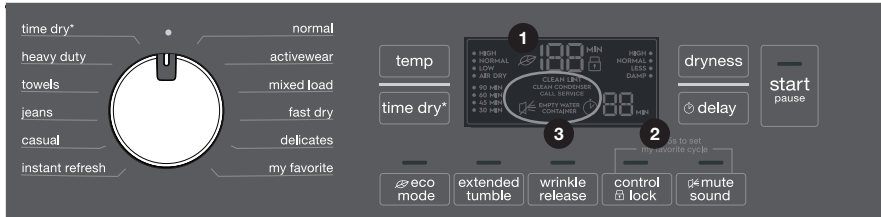
Settings Chart

These Temperatures, Dryness Levels, and Options are available with the following cycles:

	normal	activewear	mixed load	fast dry	delicates	my favorite	instant refresh	casual	jeans	towels	heavy duty	time dry
temperature												
high	✓		✓	✓				✓	✓	✓	✓	✓
normal	✓	✓	✓					✓	✓	✓	✓	✓
low	✓	✓	✓		✓		✓	✓	✓	✓	✓	✓
air dry												✓
dryness												
high	✓		✓							✓	✓	
normal	✓	✓	✓	✓	✓			✓	✓	✓	✓	
less	✓	✓	✓					✓		✓		
damp	✓		✓					✓				
options												
eco mode	✓											
extended tumble	✓	✓	✓	✓	✓	✓	✓	✓	✓	✓	✓	✓
wrinkle release	✓	✓	✓	✓	✓	✓	✓	✓	✓	✓	✓	✓
control lock	✓	✓	✓	✓	✓	✓	✓	✓	✓	✓	✓	✓
mute sound	✓	✓	✓	✓	✓	✓	✓	✓	✓	✓	✓	✓
delay start	✓	✓	✓	✓	✓	✓	✓	✓	✓	✓	✓	✓

✓ = Available selections. □ = Cycle defaults. ■ = Non-modifiable presets.

Other Features



1. Cycle Countdown	3. Maintenance Indicators
2. Delay Start Timer	

control lock

To avoid having someone accidentally start or stop the dryer, press the **control lock** button. To unlock the controls, press the **control lock** button again.

mute sound

A chime will sound at the end of the cycle (and periodically during **extended tumble** and **wrinkle release**) if this option is not activated. Activating the mute sound option will not mute all sounds emitted by the console. This option only silences the end of cycle tone.

delay start

Press **delay start** to select a dry time convenient to your schedule or during off peak energy hours. The delay time selected will be

displayed and begin counting down when you select **start**. A cycle can be delayed up to a maximum of 6 hours.

Status Display/Timer

The estimated total cycle time will be displayed when the cycle is selected. The estimated remaining cycle time is displayed throughout the cycle.

Reversible Door

Your dryer is equipped with a reversible door. The door can be hinged on the right or left side.

NOTE

For step-by-step instructions on DOOR REVERSAL, refer to the Installation Instructions supplied with this dryer.

14 Care and Cleaning

Cleaning the Dryer



WARNING

To reduce risk of fire or serious injury to persons or property, comply with the basic warnings listed in the Important Safety Instructions and those listed below.

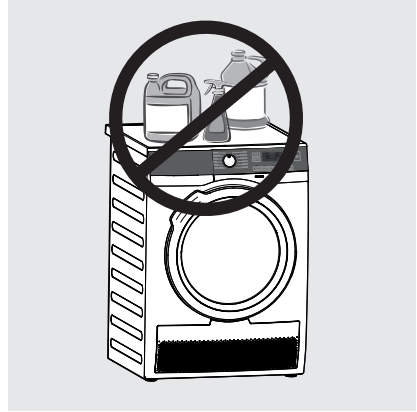
- Before cleaning the dryer interior, unplug the electrical power cord to avoid electrical shock hazards.
- Do not use any type spray cleanser when cleaning the dryer interior. Hazardous fumes or electrical shock could occur.

Inside

- Clean the lint filter after every load. Lint build-up on the filter restricts air flow, which causes longer drying times. The filter is located at the bottom of the door opening. Remove by pulling straight up. Remove the lint and replace the filter.
- Occasionally a waxy build-up may form on the lint filter and/or moisture sensing bars from using dryer-added fabric softener sheets. To remove this build-up, wash them with warm, soapy water. Dry the filter thoroughly and replace. Do not operate the dryer without the lint filter in place.
- If the dryer drum becomes stained from non-colorfast fabrics, clean the drum with a damp cloth and a mild liquid household cleanser. Remove cleanser residue before drying the next load.
- See next page for more information regarding cleaning of the condenser assembly.

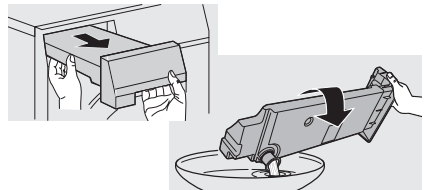
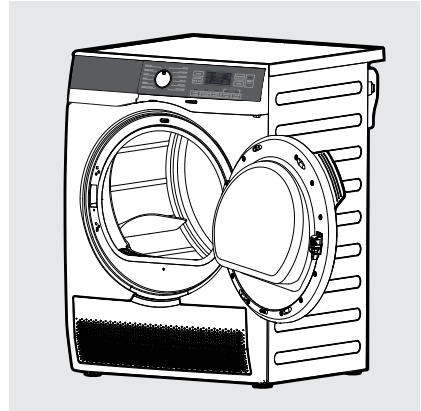
Outside

- Clean the cabinet with mild soap and water. Never use harsh, gritty or abrasive cleansers.
- Remove debris and lint from the front of the condenser door with a vacuum cleaner.
- Remove glue residue from tape or labels with a mixture of warm water and mild detergent. Or, touch residue with the sticky side of the tape or label.
- Before moving the dryer, place a strip of cardboard or thin fiberboard under the front leveling legs to prevent damage to the floor.



IMPORTANT

Do not store or place laundry products on top of dryer at any time. They can damage the finish or controls.



IMPORTANT

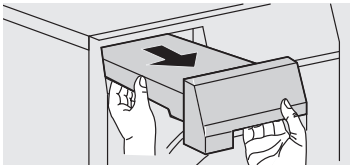
Clean the lint filter and dump water container after every load.

Drying System Maintenance Procedures

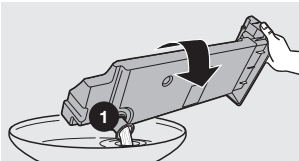
Empty Water Container (if direct drain kit not installed)

When the "EMPTY WATER CONTAINER" indicator comes on, follow these steps to empty the container:

1. Support the container as you pull it out.



2. Hold container level to prevent water from spilling.
3. Dump water container in sink or drain.



1 Nozzle



NOTE

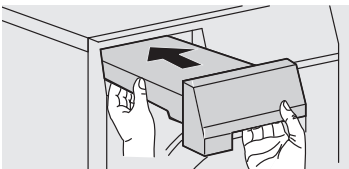
Extend the water container nozzle all the way out to ensure all water has been emptied from the container.



CAUTION

DO NOT drink or prepare food with the condensed water from your dryer water. It can cause health problems to people and pets.

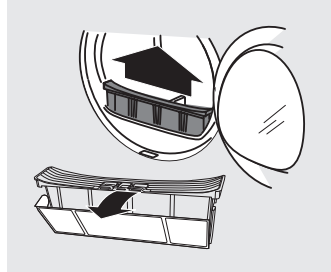
4. Return container fully before continuing operation of dryer.



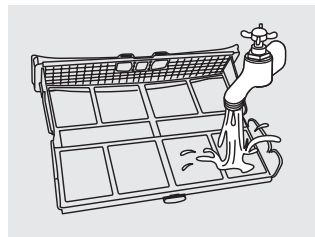
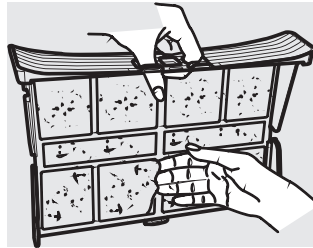
Clean Lint

When the "CLEAN LINT" indicator comes on, follow these steps to clean the filter:

1. Remove the filter by pulling straight up.
2. Release the latch on the filter grille to open the filter.



3. Remove trapped lint and larger particles by hand.
4. If necessary, clean filter screen with hot water.



5. Return filter before continuing use of dryer.



CAUTION

DO NOT operate dryer without lint filter in place.

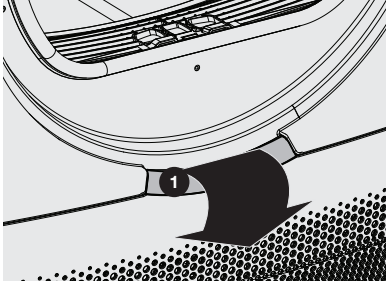
16 Care and Cleaning

Cleaning Condenser

Clean Condenser

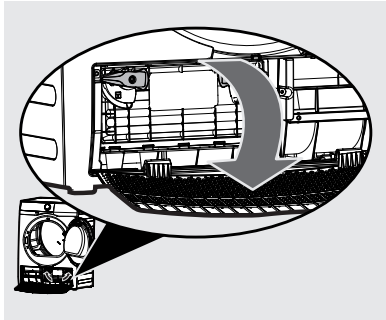
When the "CLEAN CONDENSER" indicator comes on, follow these steps to remove and clean the condenser assembly:

1. Open the dryer door and locate the top of the condenser access door.

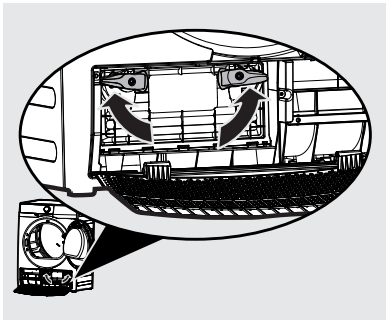


1 Top of condenser access door

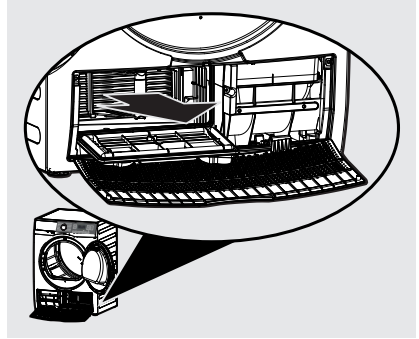
2. Pull the condenser access door toward you to open.



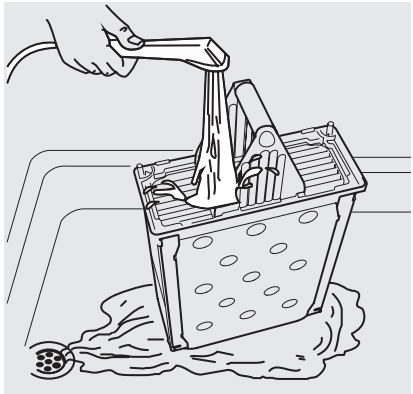
3. Rotate the two latches as shown to lower the retention panel.



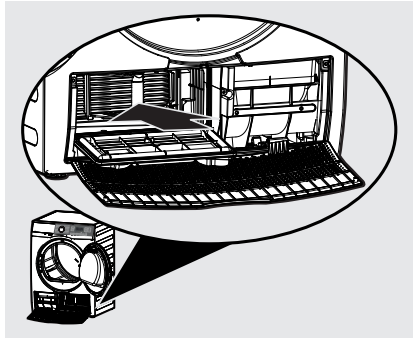
4. Grab the condenser handle and pull straight out.



5. Rinse condenser in sink. Clean with mild soap and water if necessary.



6. Push condenser back in place, close retention panel, and rotate the two latches back down into the 6 o'clock position. Close the condenser access door.



Common Drying Problems

Many drying problems involve poor soil and stain removal, residues of lint and scum, and fabric damage. For satisfactory washing results, follow these suggestions provided by The Soap and Detergent Association.

PROBLEM	POSSIBLE CAUSES	SOLUTIONS	PREVENTIVE MEASURES
Greasy, oily stains	<ul style="list-style-type: none"> • Fabric softener sheet. 	<ul style="list-style-type: none"> • Rub fabric softener stains with bar soap. Rinse and rewash. 	<ul style="list-style-type: none"> • Add a few bath towels to small loads for proper tumbling. • Some “silk-like” fabrics should be air dried. • Use proper drying temperature. • Place fabric softener sheet on top of load before starting the dryer.
Lint	<ul style="list-style-type: none"> • Overloading. • Overdrying causes static electricity. • Lint screen not clean when cycle began. • Lint is attached to “pills”. 	<ul style="list-style-type: none"> • Reduce load size and rewash using liquid fabric softener in the final rinse. • Use lint brush or roller to remove lint. 	<ul style="list-style-type: none"> • DO NOT overload dryer. • Use fabric softener in washer or dryer to reduce static electricity. • Remove items when they are slightly damp to avoid overdrying. • Check that lint filter is clean and in place.
Pilling (fibers break off, ball up and cling to fabric)	<ul style="list-style-type: none"> • Overdrying. 	<ul style="list-style-type: none"> • Use a lint brush or shaver to remove pills. 	<ul style="list-style-type: none"> • Use fabric softener to lubricate fibers. • When ironing, use spray starch or fabric finish on collars and cuffs. • Turn items inside out to reduce abrasion.
Shrinking	<ul style="list-style-type: none"> • Temperature too high. • Overdrying. 	<ul style="list-style-type: none"> • Irreversible condition. 	<ul style="list-style-type: none"> • Follow fabric care label directions. • If shrinking is a concern, check load often. • Remove items while slightly damp and hang or lay flat to complete drying. • Block knits into shape.
Wrinkling	<ul style="list-style-type: none"> • Overloading. • Leaving items in dryer after cycle ends. 	<ul style="list-style-type: none"> • Reduce load size and tumble at medium or low heat for 5-10 minutes. • Remove items immediately. Hang or fold. 	<ul style="list-style-type: none"> • DO NOT overload dryer. • Remove items as soon as cycle ends. • Use the extended tumble and wrinkle release options if unable to remove the load immediately.

18 Solutions to Common Problems

Avoid Service Checklist

Before calling for service, review this list. It may save both time and expense. The list includes common occurrences that are not the result of defective workmanship or materials in this dryer.

OCCURRENCE	POSSIBLE CAUSES	SOLUTIONS
Dryer does not start.	<ul style="list-style-type: none">• Electrical power cord is not securely plugged in or plug may be loose.• House fuse blown or circuit breaker tripped.	<ul style="list-style-type: none">• Make sure the plug fits tightly in wall outlet.• Reset circuit breaker or replace fuse.• Make sure electrical line is not overloaded and the dryer is on a separate circuit.
Dryer runs but won't heat.	<ul style="list-style-type: none">• There are 2 house fuses in the dryer circuit. If 1 of the 2 fuses is blown, the drum may turn but the heater will not operate.	<ul style="list-style-type: none">• Replace fuse.
Drying cycle takes too long, outside of the dryer feels too hot or smells hot.	<ul style="list-style-type: none">• Lint filter is clogged with lint.• Electric dryer is connected to a 208 volt circuit.• Drying procedures have not been followed.• High humidity.	<ul style="list-style-type: none">• Make sure all lint has been removed from the dryer lint filter before starting each cycle.• Drying time will be 20% longer than drying on a 240 volt circuit.• See "Operating Instructions".• Use a dehumidifier near the dryer.
Dryer stops during a cycle and EMPTY WATER CONTAINER is lit on console.	<ul style="list-style-type: none">• Water tank was not emptied between cycles and is full.	<ul style="list-style-type: none">• Empty water tank and continue cycle.
Excessive wrinkling.	<ul style="list-style-type: none">• Dryer is overloaded.• Items left in dryer too long.• Insufficient sorting of items.• Drying temperature or dryness level too high.	<ul style="list-style-type: none">• Do not overload. See "Operating Instructions".• Remove items as soon as cycle ends.• Use the extended tumble and wrinkle release options if unable to remove the load immediately.• See "Operating Instructions".• Follow fabric care label instructions.
Scratching or chipping of the drum finish.	<ul style="list-style-type: none">• Foreign objects such as coins, pins, clips or buttons are inside the dryer.*• Permanently attached items such as belt buckles, zippers and fasteners may be hitting the inside of the drum.*	<ul style="list-style-type: none">• Always remove foreign objects from pockets before laundering. Remove objects from drum and restart dryer.• It may be necessary to sew a scrap of material securely around ornaments before drying to prevent scratching and damage to the dryer.

*Drum damage caused by foreign objects or permanently attached items is not covered by the warranty.

In some instances, an alarm code will be shown on the display and a tone will be emitted by the unit. The alarm code will be flashed in alternating fashion between the letters "AL" and a specific two-character code. Before calling for Service, refer to the table below for possible solutions to the alarm codes listed.

ALARM CODE	POSSIBLE CAUSES	SOLUTIONS
AL 50	The motor has been overloaded.	Remove the laundry from the drum, reset the appliance by either turning the knob to the reset position (12 o'clock position) or powering off the unit off and back on, select any cycle and press start. Ensure the motor is functioning properly.
AL 97	There is a disrupt in internal communication between electronic elements of the unit.	Reset the appliance by either turning the knob to the reset position (12 o'clock position) or powering off the unit off and back on.
AL H0	There is an issue with the power supply.	<ul style="list-style-type: none"> • Wait until the power supply is stable. • Ensure the power cord is still in proper operating condition. • Ensure the wall outlet is in proper operating condition. • Reset the appliance by either turning the knob to the reset position (12 o'clock position) or powering off the unit off and back on.

If any other Alarm Codes other than the ones listed above are shown on the display, first try to reset the appliance by either turning the knob to the reset position (12 o'clock position) or powering off the unit off and back on. If any Alarm Code reappears after resetting the appliance, contact Service for further assistance.

For the applicable warranty period as set forth below, as measured from your original date of purchase, Electrolux will repair or replace any parts of this appliance that prove to be defective in materials or workmanship when such appliance is installed, used and maintained in accordance with the provided instructions.

Warranty Periods:

- All parts — One year including labor. In addition, your appliance is covered by a one year, parts only, limited warranty. During the 2nd year from your original date of purchase, Electrolux will pay for parts needed for this appliance that have proven to be defective in materials or workmanship when your appliance is installed, used, and maintained in accordance with the provided instructions.

Exclusions

This warranty does not cover the following:

1. Products with original serial numbers that have been removed, altered or cannot be readily determined.
2. Product that has been transferred from its original owner to another party or removed outside the USA or Canada.
3. Rust on the interior or exterior of the unit.
4. Products purchased "as-is" are not covered by this warranty.
5. Products used in a commercial setting.
6. Service calls which DO NOT involve malfunction or defects in materials or workmanship, or for appliances not in ordinary household use or used other than in accordance with the provided instructions.
7. Service calls to correct the installation of your appliance or to instruct you how to use your appliance.
8. Expenses for making the appliance accessible for servicing, such as removal of trim, cupboards, shelves, etc., which are not a part of the appliance when it is shipped from the factory.
9. Service calls to repair or replace appliance light bulbs, air filters, water filters, other consumables, or knobs, handles, or other cosmetic parts.
10. Pickup and delivery costs; your appliance is designed to be repaired in the home.
11. Surcharges including, but not limited to, any after hour, weekend, or holiday service calls, tolls, ferry trip charges, or mileage expense for service calls to remote areas, including the state of Alaska.
12. Damages to the finish of appliance or home incurred during transportation or installation, including but not limited to floors, cabinets, walls, etc.
13. Damages caused by: services performed by unauthorized service companies; use of parts other than genuine Electrolux parts or parts obtained from persons other than authorized service companies; or external causes such as abuse, misuse, inadequate power supply, accidents, fires, or acts of God.

DISCLAIMER OF IMPLIED WARRANTIES; LIMITATION OF REMEDIES

CUSTOMER'S SOLE AND EXCLUSIVE REMEDY UNDER THIS LIMITED WARRANTY SHALL BE REPAIR OR REPLACEMENT AS PROVIDED HEREIN. **CLAIMS BASED ON IMPLIED WARRANTIES, INCLUDING WARRANTIES OF MERCHANTABILITY OR FITNESS FOR A PARTICULAR PURPOSE, ARE LIMITED TO ONE YEAR OR THE SHORTEST PERIOD ALLOWED BY LAW, BUT NOT LESS THAN ONE YEAR.** ELECTROLUX SHALL NOT BE LIABLE FOR CONSEQUENTIAL OR INCIDENTAL DAMAGES SUCH AS PROPERTY DAMAGE AND INCIDENTAL EXPENSES RESULTING FROM ANY BREACH OF THIS WRITTEN LIMITED WARRANTY OR ANY IMPLIED WARRANTY. SOME STATES AND PROVINCES DO NOT ALLOW THE EXCLUSION OR LIMITATION OF INCIDENTAL OR CONSEQUENTIAL DAMAGES, OR LIMITATIONS ON THE DURATION OF IMPLIED WARRANTIES, SO THESE LIMITATIONS OR EXCLUSIONS MAY NOT APPLY TO YOU. THIS WRITTEN WARRANTY GIVES YOU SPECIFIC LEGAL RIGHTS. YOU MAY ALSO HAVE OTHER RIGHTS THAT VARY FROM STATE TO STATE.

If You Need Service

Keep your receipt, delivery slip, or some other appropriate payment record to establish the warranty period should service be required. If service is performed, it is in your best interest to obtain and keep all receipts. Service under this warranty must be obtained by contacting Electrolux at the addresses or phone numbers below.

This warranty only applies in the USA, Puerto Rico and Canada. In the USA and Puerto Rico, your appliance is warranted by Electrolux Major Appliances North America, a division of Electrolux Home Products, Inc. In Canada, your appliance is warranted by Electrolux Canada Corp. Electrolux authorizes no person to change or add to any obligations under this warranty. Obligations for service and parts under this warranty must be performed by Electrolux or an authorized service company. Product features or specifications as described or illustrated are subject to change without notice.

USA

1-877-435-3287

Electrolux Home Products, Inc.,
North America
10200 David Taylor Drive
Charlotte, NC 28262



Canada

1-800-265-8352

Electrolux Canada Corp.
5855 Terry Fox Way
Mississauga, Ontario, Canada
L5V 3E4



electrolux.com/shop

