

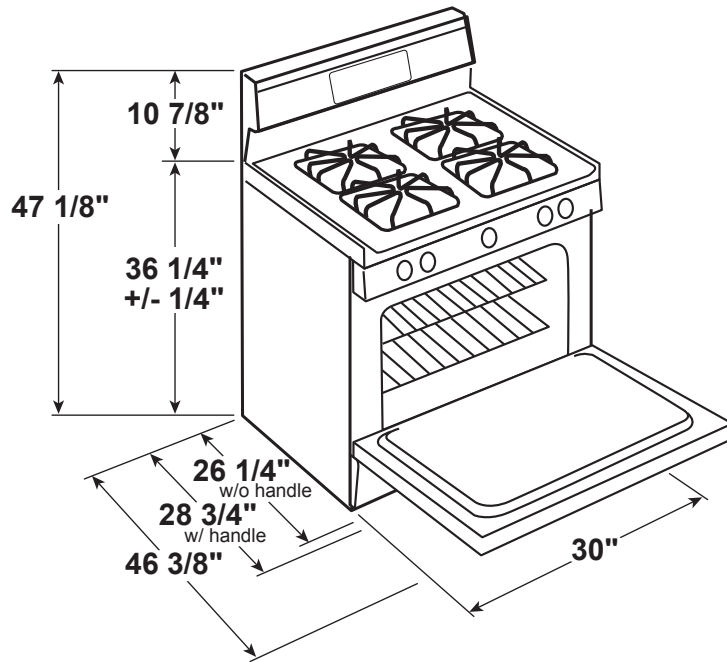
# RGBS400GM/DM

## Hotpoint 30" Free-Standing Standard Clean Gas Range

### DIMENSIONS AND INSTALLATION INFORMATION (IN INCHES)

**ELECTRICAL RATING:** 120V, 60Hz, 3A

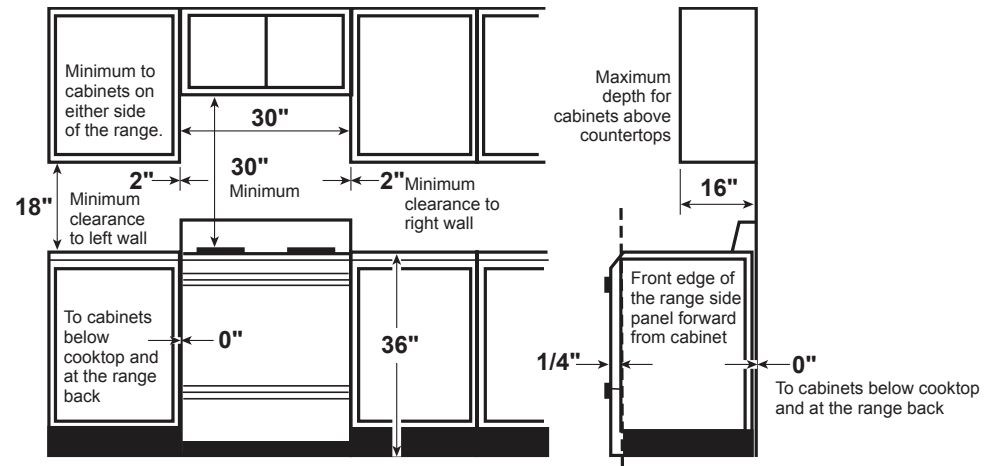
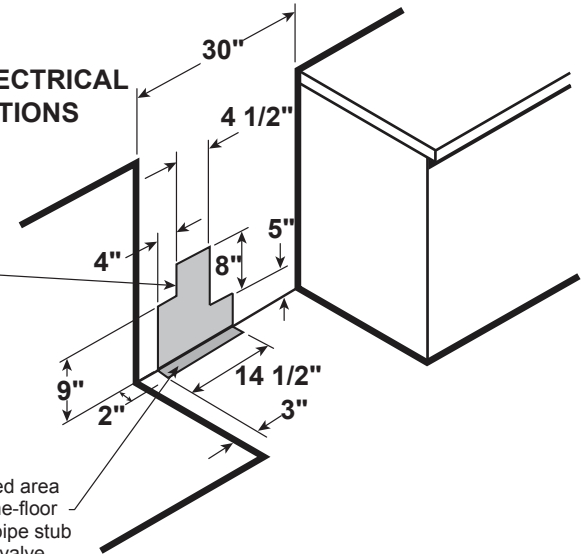
Installation Information: Before installing, consult installation instructions packed with product for current dimensional data.



### GAS PIPE AND ELECTRICAL OUTLET LOCATIONS

Recommended area for 120V outlet on rear wall and area for through-the-wall connection of pipe stub and shut-off valve.

Recommended area for through-the-floor connection of pipe stub and shut-off valve.



**Hotpoint**®

For answers to your Hotpoint product questions, visit our website at [hotpoint.com](http://hotpoint.com) or call 800.626.2000.

**ADA  
COMPLIANT**



All GE Appliances ranges are equipped with an Anti-Tip device. The installation of this device is an important, required step in the installation of the range.

Specification Revised 8/21

# RGBS400GM/DM

## Hotpoint 30" Free-Standing Standard Clean Gas Range

### FEATURES AND BENEFITS

Durable finish – The tough surface stands up to everyday wear and tear, resisting fingerprints, scratches, dents and dings better than stainless steel

Stylish design – The modern-looking metallic finish adds a contemporary feel to any kitchen

Large window – The generous window allows you to easily check on food without opening the oven door

Standard clean oven – Smooth surface and rounded corners make clean-up quick and easy

4.8 cu. ft. oven capacity – Enough room to cook an entire meal at once

Sealed cooktop burners – Contains spills and make cleaning quick and easy

Porcelain upswept cooktop – Raised edges contain spills, while the surface is easy to wipe clean

Heavy steel grates – High-grade steel grates offer dependable, long-lasting performance

Two oven racks – Durable to securely hold any cookware

One-piece durable handle – Strong and long-lasting

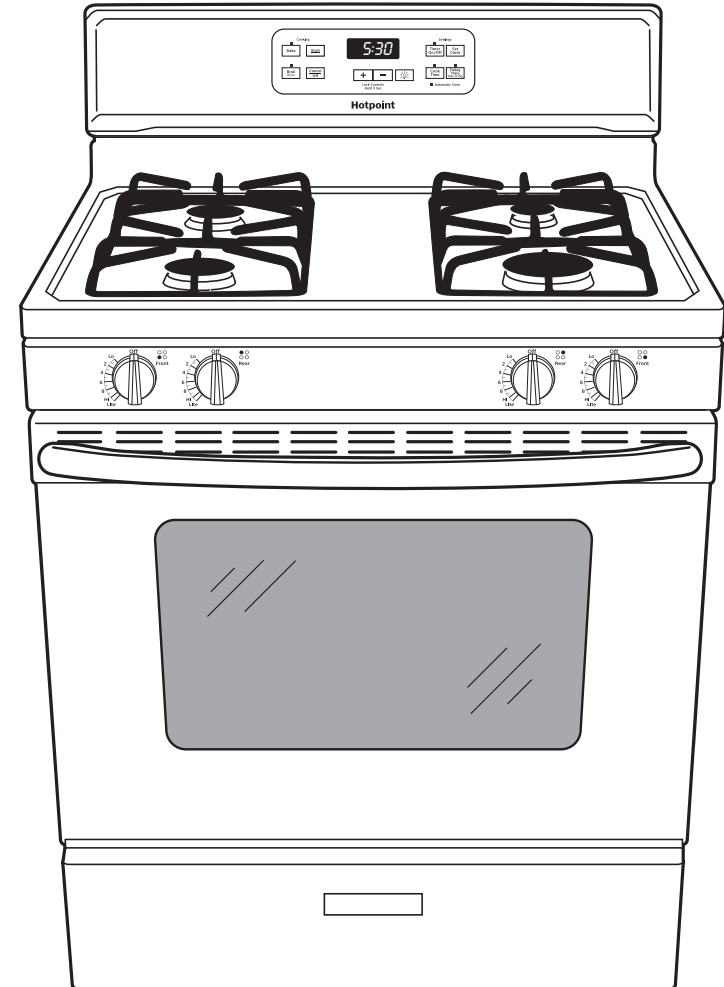
Large window – Easily look inside to monitor food as it's cooking

Broiler drawer – Delivers high concentrated heat for crisping and browning

Model RGBS400GMSH – PRO-Steel

Model RGBS400DMWW – White

Model RGBS400DMBB – Black



# Hotpoint®