

ELECTRIC STACKED LAUNDRY CENTER PRODUCT GUIDE

GUIDE DE PRODUIT DE L'ENSEMBLE DE BUANDERIE SUPERPOSÉ ÉLECTRIQUE



W11784849B

Table of Contents/Table des matières

ELECTRIC STACKED LAUNDRY CENTER SAFETY	3	SÉCURITÉ DE L'ENSEMBLE DE BUANDERIE	
Electric Stacked Laundry Center Safety	3	ÉLECTRIQUE SUPERPOSÉ	43
Internet Connectivity Guide for Connected Appliances Only	5	Sécurité de l'ensemble de buanderie électrique superposé	43
CHOOSING THE RIGHT DETERGENT	6	Guide de connexion Internet pour les appareils connectés	
Choosing the Right Detergent	6	uniquement	45
Adding Laundry Products	6	CHOIX DU DÉTERGENT APPROPRIÉ	46
STACKED LAUNDRY CENTER MAINTENANCE AND CARE	6	Ajout de produits de lessive	46
Washer Water inlet hoses	6	ENTRETIEN ET RÉPARATION DE L'ENSEMBLE DE BUANDERIE SUPERPOSÉ	47
Washer Care	7	Tuyaux d'arrivée d'eau de la laveuse	47
Dryer Care	7	Entretien de la laveuse	47
Cleaning the Dryer Location	7	Entretien de la sècheuse	47
Cleaning the Dryer Interior	7	Nettoyage de l'emplacement de la sècheuse	47
Removing Accumulated Lint	7	Nettoyage de l'intérieur de la sècheuse	47
Cleaning the Lint Screen	7	Retrait de la charpie accumulée	47
Check Your Vent System for Good Airflow	8	Nettoyage du filtre à charpie	48
Non-Use and Vacation Care	8	Vérification d'une circulation d'air adéquate pour le système d'évacuation	48
Winter Storage Care	8	Non-utilisation et entretien en période de vacances	49
Transporting Your Stacked Laundry Center	8	Entretien pour entreposage hivernal	49
Reinstalling/Using Electric Stacked Laundry Center Again	8	Transport de votre appareil de buanderie superposé	49
INSTALLATION INSTRUCTIONS	9	Réinstallation/réutilisation de l'ensemble de buanderie électrique superposé	49
Installation Instructions	9	INSTRUCTIONS D'INSTALLATION	49
REQUIREMENTS	9	Instructions d'installation	49
Tools and Parts	9	SPÉCIFICATIONS	49
Location Requirements	10	Outils et pièces	49
Drain system	10	Exigences d'emplacement	51
Home Venting Requirements	12	Système de vidange	52
Plan Vent System	13	Exigences concernant l'évacuation pour une maison	53
Install Vent System	14	Planification des circuits de conduits	54
Washer Electrical Requirements	14	Installation du conduit d'évacuation	55
Dryer Electrical Requirements	15	Spécifications électriques de la laveuse	56
Electrical Requirements – U.S.A.	15	Spécifications électriques de la sècheuse	56
Electric Requirements – Canada	16	Spécifications électriques – É.-U.	56
INSTALLATION	17	Spécifications électriques – Canada	58
Unpacking	17	INSTALLATION	59
Connect Drain Hose	17	Déballage	59
Connect Inlet Hoses	18	Raccordement du tuyau de vidange	59
Connect Vent	19	Raccordement des tuyaux d'alimentation	60
Electrical Installation – U.S.A.	20	Raccordement du conduit d'évacuation	61
Level the Stacked Laundry Center	24	Installation électrique – É.-U.	62
Complete Installation Checklist	26	Mise à niveau de l'ensemble de buanderie superposé	67
WASHER QUICK START GUIDE	27	Liste de vérification pour l'installation terminée	69
DRYER QUICK START GUIDE	29	GUIDE DE DÉMARRAGE RAPIDE DE LA LAVEUSE	70
STACKED LAUNDRY CENTRE CYCLE GUIDE	31	GUIDE DE DÉMARRAGE RAPIDE DE LA SÈCHEUSE	72
DOOR REVERSAL GUIDE	40	GUIDE DES PROGRAMMES DE L'ENSEMBLE DE BUANDERIE SUPERPOSÉ	74
		GUIDE D'INVERSION DE LA PORTE	89

ELECTRIC STACKED LAUNDRY CENTER SAFETY

Your safety and the safety of others are very important.

We have provided many important safety messages in this manual and on your appliance. Always read and obey all safety messages.



This is the safety alert symbol.

This symbol alerts you to potential hazards that can kill or hurt you and others.

All safety messages will follow the safety alert symbol and either the word "DANGER" or "WARNING." These words mean:

⚠ DANGER

You can be killed or seriously injured if you don't immediately follow instructions.

⚠ WARNING

You can be killed or seriously injured if you don't follow instructions.

All safety messages will tell you what the potential hazard is, tell you how to reduce the chance of injury, and tell you what can happen if the instructions are not followed.



WARNING — "Risk of Fire"

- Clothes dryer installation must be performed by a qualified installer.
- Install the clothes dryer according to the manufacturer's instructions and local codes.
- Do not install a clothes dryer with flexible plastic venting materials or flexible metal (foil type) duct. If flexible metal duct is installed, it must be of a specific type identified by the appliance manufacturer as suitable for use with clothes dryers. Flexible venting materials are known to collapse, be easily crushed, and trap lint. These conditions will obstruct clothes dryer airflow and increase the risk of fire.
- To reduce the risk of severe injury or death, follow all installation instructions.
- Save these instructions.

IMPORTANT SAFETY INSTRUCTIONS

WARNING: To reduce the risk of fire, electric shock, or injury to persons when using your appliance, follow basic precautions, including the following:

- Read all instructions before using the appliance.
- Do not wash articles that have been previously cleaned in, washed in, soaked in, or spotted with gasoline, dry-cleaning solvents, or other flammable or explosive substances, as they give off vapors that could ignite or explode.
- Do not add gasoline, dry-cleaning solvents, or other flammable or explosive substances to the wash water. These substances give off vapors that could ignite or explode.
- Under certain conditions, hydrogen gas may be produced in a hot-water system that has not been used for 2 weeks or more. **HYDROGEN GAS IS EXPLOSIVE.** If the hot-water system has not been used for such a period, before using a washing machine, turn on all hot-water faucets and let the water flow from each for several minutes. This will release any accumulated hydrogen gas. As the gas is flammable, do not smoke or use an open flame during this time.
- Do not allow children to play on or in the appliance. Close supervision of children is necessary when the appliance is used near children.
- Before the appliance is removed from service or discarded, remove the door.
- Do not reach into the appliance if the tub or agitator is moving.
- Do not install or store this appliance where it will be exposed to the weather.
- Do not tamper with controls.
- Do not repair or replace any part of the appliance or attempt any servicing unless specifically recommended in the user-maintenance instructions or in published user-repair instructions that you understand and have the skills to carry out.
- Do not use replacement parts that have not been recommended by the manufacturer (e.g. parts made at home using a 3D printer).
- See the Installation Instructions for grounding requirements and installation.
- This appliance uses an ultraviolet (UV) source and must be used in compliance with its markings and instructions to prevent the user's eye and bare skin from exposure to harmful UV radiation.
- Do not dry articles that have been previously cleaned in, washed in, soaked in, or spotted with gasoline, dry-cleaning solvents, or other flammable or explosive substances, as they give off vapors that could ignite or explode.
- Risk of Suffocation and Injury from Entrapment: Do not allow children to play on or in the appliance. Close supervision of children is necessary when the appliance is used near children.
- Do not reach into the appliance if the drum is moving.
- Do not use fabric softeners or products to eliminate static unless recommended by the manufacturer of the fabric softener or product.
- Do not use heat to dry articles containing foam rubber or similarly textured rubber-like materials.
- Clean lint screen before or after each load.
- Keep area around the exhaust opening and adjacent surrounding areas free from the accumulation of lint, dust, and dirt.
- The interior of the appliance and exhaust duct should be cleaned periodically by qualified service personnel.
- Do not place items exposed to cooking oils in your dryer. Items contaminated with cooking oils may contribute to a chemical reaction that could cause a load to catch fire. To reduce the risk of fire due to contaminated loads, the final part of a tumble dryer cycle occurs without heat (cool down period). Avoid stopping a tumble dryer before the end of the drying cycle unless all items are quickly removed and spread out so that the heat is dissipated.
- Do not install a booster fan in the exhaust duct.
NOTE: The booster fan warning does not apply to clothes dryers intended to be installed in a multiple clothes dryer system, with an engineered exhaust duct system that is installed per the clothes dryer manufacturer's guidelines.

SAVE THESE INSTRUCTIONS

IMPORTANT SAFETY INSTRUCTIONS

WHEN DISCARDING OR STORING YOUR OLD CLOTHES DRYER, REMOVE THE DOOR.

SAVE THESE INSTRUCTIONS

This product conforms to the applicable provisions of the United States Code of Federal Regulations, Title 21, Chapter 1, Subchapter J, Radiological Health.

WARNING

Certain internal parts are intentionally not grounded and may present a risk of electric shock only during servicing. Service Personnel – Do not contact any component that is not an integral part of the frame or metal cabinet.

Keep out of the reach of children. Read the label and any operating manual before using.

PRECAUTIONS

WARNING - UV Radiation emitted from this Device. Unintended use of the device, or damage to the housing, may result in exposure to ultraviolet radiation. Ultraviolet radiation may cause eye and skin irritation. Avoid exposing eyes and skin to ultraviolet radiation.

DIRECTIONS FOR USE. Refer to Owner's Manual. UV lamp or other UV - emitting components shall only be serviced by a qualified service technician. Call Whirlpool Service & support owner center 1-800-807-6777. The use of this device is a supplement to and not a substitute for standard infection control practices to control transmission on infections; Users must continue to follow all current infection control practices, including those practices related to cleaning and disinfection of environmental surfaces.

Internet Connectivity Guide for Connected Appliances Only

IMPORTANT: Proper installation of your appliance prior to use is your responsibility. Be sure to read and follow the installation instructions that came with your appliance.

Connectivity requires Wi-Fi and account creation. App features and functionality are subject to change. Data rates may apply. Once installed, launch the app. You will be guided through the steps to set up a user account and to connect your appliance.

You Will Need:

- A home wireless router supporting Wi-Fi, 2.4 Ghz with WPA2 security. If you are unsure of your router's capabilities, refer to the router manufacturer's instructions.
- The router to be on and have a live internet connection.
- The 10-character SAID code for your appliance. The SAID code is either printed on a label on the appliance or found on the LCD screen.

Federal Communications Commission (FCC) Compliance Notice

This device complies with Part 15 of the FCC Rules. Operation is subject to the following two conditions:

1. This device may not cause harmful interference, and
2. This device must accept any interference received, including interference that may cause undesired operation.

Changes or modifications not expressly approved by the party responsible for compliance could void the user's authority to operate the equipment.

Industry Canada (IC) Compliance Notice

This Device complies with Industry Canada License-exempt RSS standard(s). Operation is subject to the following two conditions:

1. This device may not cause interference.
2. This device must accept any interference, including interference that may cause undesired operation of the device.

Under Industry Canada regulations, this radio transmitter may only operate using an antenna of a type and maximum (or lesser) gain approved for the transmitter by Industry Canada. To reduce potential radio interference to other users, the antenna type and its gain should be so chosen that the equivalent isotropically radiated power (e.i.r.p.) is not more than that necessary for successful communication.

To comply with FCC and Industry Canada RF radiation exposure limits for general population, antenna(s) used for this transmitter must be installed such that a minimum separation distance of 20 cm is maintained between the radiator (antenna) and all persons at all times and must not be co-located or operating in conjunction with any other antenna or transmitter.

If this equipment does cause harmful interference to radio or television reception, which can be determined by turning the equipment off and on, the user is encouraged to try to correct the interference by one of the following measures:

- Reorient or relocate the receiving antenna.
- Increase the separation between the equipment and receiver.
- Connect the equipment into an outlet on a circuit different from that to which the receiver is connected.
- Consult the dealer or an experienced radio/TV technician for help.

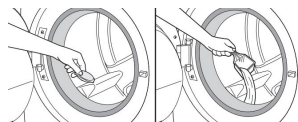
CHOOSING THE RIGHT DETERGENT

Use only High Efficiency detergents. The package will be marked "HE" or "High Efficiency." Low-water washing creates excessive sudsing with a non-HE detergent. Using non-HE detergent will likely result in longer cycle times and reduced rinsing performance. It may also result in component failure and, over time, buildup of mold or mildew. HE detergents should be low-sudsing and quick-dispersing to produce the right amount of suds for the best performance. They should hold soil in suspension so it is not redeposited onto clean clothes. Not all detergents labeled as High Efficiency are identical in formulation and their ability to reduce suds. For example, natural, organic, or homemade HE detergents may generate a high level of suds. If you use one of these and see an "Sd" or "Sud" error code appear in the display, consider using a different HE detergent. Always follow the detergent manufacturer's instructions to determine the amount of detergent to use. Do not go over the Max line on the dispenser.

Adding Laundry Products

Adding HE detergent to basket:

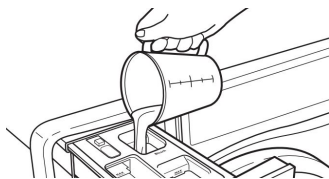
Single-dose laundry packets, Oxi-type boosters, color-safe bleach, or scented crystals can be added to the drum prior to adding laundry.



NOTE: Follow the manufacturer's instructions to determine the amount of laundry products to use.

Adding liquid chlorine bleach to single-load dispenser:

Add liquid chlorine bleach to the bleach compartment. Do not overfill, dilute, or use more than 2/3 cup (165 mL). Do not use color-safe bleach or Oxi in the same cycle with liquid chlorine bleach.

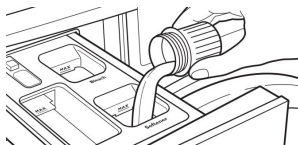


IMPORTANT:

- Always measure liquid chlorine bleach. Use a measuring cup with a pour spout; do not guess.
- Do not fill beyond the "MAX" line. Overfilling could cause garment damage.
- Do not use thickened, easy-pour, or no-splash bleach when running the Clean Washer with †affresh® cycle, as excess suds may occur.
- Slowly close dispenser drawers. Make sure the drawers are closed completely.

Adding liquid fabric softener to single-load dispenser:

Pour a measured amount of liquid fabric softener into liquid fabric softener compartment. Always follow manufacturer's directions for correct amount of fabric softener, based on your load size.



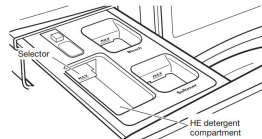
Fabric softener is always dispensed in the last rinse, even if Extra Rinse is selected.

IMPORTANT: Do not overfill, dilute, or use more than the manufacturer-recommended quantity of fabric softener. Do not fill past the "MAX" line. Overfilling dispenser will cause fabric softener to immediately dispense into washer.

- Do not spill or drip any fabric softener onto the clothes.
- Do not use liquid fabric softener dispenser balls in this washer. They will not dispense correctly.
- Do not use fabric softener sheets, as they can stain the load.

Adding HE detergent to single-load dispenser:

Pour a measured amount of HE detergent into detergent compartment. For powdered detergent, lift the selector to the high position. For liquid detergent, push down the selector to the low position.



Do not overfill; adding too much detergent may cause detergent to be dispensed into the washer too early.

IMPORTANT:

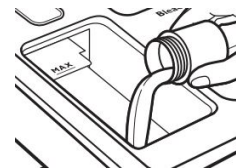
- Do not add single-dose laundry packet to dispenser drawer.

Powdered detergent:



Lift the selector to the high position. Add directly to the compartment.

Liquid detergent:



Push down the selector to the low position. Add directly to the compartment.

STACKED LAUNDRY CENTER MAINTENANCE AND CARE

Washer Water Inlet Hoses

If you live in a hard water area, use of a water softener is recommended to control the buildup of scale through the water system in the washer. Over time, the buildup of lime scale may clog different parts of the water system, which will reduce product performance. Excessive scale buildup may lead to the need for certain part replacement or repair.

Replace inlet hoses after 5 years of use to reduce the risk of hose failure. Periodically inspect and replace inlet hoses if bulges, kinks, cuts, wear, or leaks are found.

When replacing your inlet hoses:

- Mark the date of replacement on the label with a permanent marker.
- Check that the old washers are not stuck on the washer inlet valves.
- Use new washers in the new inlet hoses to ensure a proper seal.

NOTE: Do not use old hoses. Property damage can result. This appliance may not include inlet hoses.

†affresh® is a registered trademark of Whirlpool, U.S.A.

Washer Care


Recommendations to Help Keep Your Washer Clean and Performing at its Best:

1. Always use High Efficiency (HE) detergents and follow the HE detergent manufacturer's instructions regarding the amount of HE detergent to use. Do not use more than the recommended amount because that may increase the rate at which detergent and soil residue accumulate inside your washer, which in turn may result in undesirable odor.
2. Use warm and hot wash water settings sometimes (not exclusively cold water washes), because they do a better job of controlling the rate at which soils and detergent accumulate.
3. Always leave the washer lid/door open between uses to help dry out the washer and avoid the buildup of odor-causing residue.
4. Periodically clean residue from all interior surfaces of the window. For better care, wipe the entire inside of the door with a damp cloth.
5. Always follow door seal maintenance instructions to clean the door seal. Go online for complete instructions.

Dryer Care

Cleaning the Dryer Location

⚠ WARNING



Explosion Hazard

Keep flammable materials and vapors, such as gasoline, away from dryer.

Do not dry anything that has ever had anything flammable on it (even after washing).

Failure to follow these instructions can result in death, explosion, or fire.

Keep dryer area clear and free from items that would block the airflow for proper dryer operation. This includes clearing piles of laundry in front of the dryer.

Cleaning the Dryer Interior

To clean dryer drum:

1. Use nonflammable cleaner or a mild hand dish detergent mixed at a low concentration with very warm water, and rub with a soft cloth.
 - Rinse well with a wet sponge or towel.
 - Tumble a load of clean clothes or towels to dry drum.OR
2. Use a microfiber cloth and very warm water in a spray bottle to clean the drum and a second microfiber towel to dry.

NOTE: Garments that contain unstable dyes, such as denim blue jeans or brightly colored cotton items, may discolor the rear of the dryer interior. These stains are not harmful to your dryer and will not stain future loads of clothes. Dry unstable dye items inside out to avoid transfer of dye.

Removing Accumulated Lint

From inside the dryer cabinet:

Lint should be removed every 2 years, or more often, depending on dryer usage. Cleaning should be done by a qualified appliance service or ventilation system cleaner.

From the exhaust vent:

Lint should be removed every 2 years, or more often, depending on dryer usage.

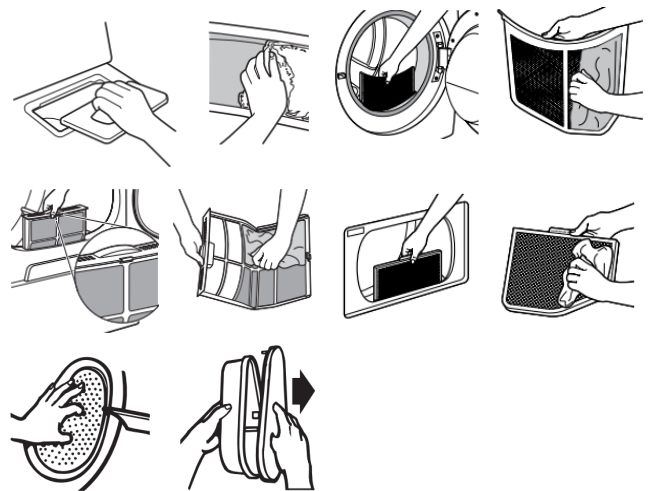
Cleaning the Lint Screen

Every load cleaning:

The lint screen may be located either in the door opening or the top of the dryer depending on model. A screen blocked by lint can increase drying time.

To clean:

1. Remove the lint screen. If necessary, press the tab to release and open the lint screen. Roll lint off the screen with your fingers. Do not rinse or wash screen to remove lint. Wet lint is hard to remove.



2. Push the lint screen firmly back into place.

IMPORTANT:

- Do not run the dryer with the lint screen loose, damaged, blocked, or missing. Doing so can cause overheating and damage to both the dryer and fabrics.
- If lint falls off the screen into the dryer during removal, check the exhaust hood and remove the lint. See "Venting Requirements" in the Installation Instructions.
- Clean space where lint screen is located, as needed. Using a vacuum, gently remove any lint that has accumulated outside of the lint screen.

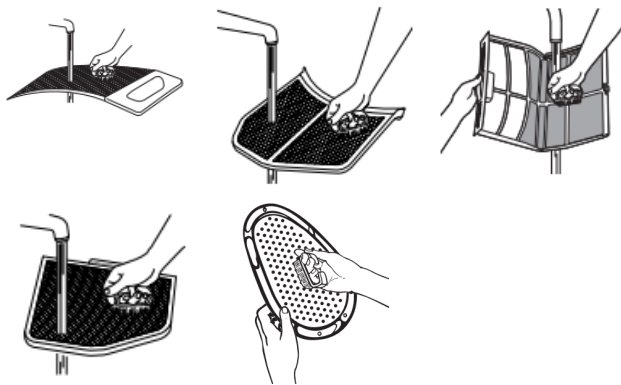
As-needed cleaning:

Laundry detergent and fabric softener residue can build up on the lint screen. This buildup can cause longer drying times for your clothes, or cause the dryer to stop before your load is completely dry. The screen is probably clogged if lint falls off while the screen is in the dryer. Clean the lint screen with a nylon brush every 6 months, or more frequently, if it becomes clogged due to a residue buildup.

To wash:

1. Roll lint off the screen with your fingers.
2. Wet both sides of lint screen with hot water.

- Wet a nylon brush with hot water and liquid detergent. Scrub lint screen with the brush to remove residue buildup.



- Rinse screen with hot water.
- Thoroughly dry lint screen with a clean towel. Reinstall screen in dryer.

Check Your Vent System for Good Airflow

⚠ WARNING

Fire Hazard

Use a heavy metal vent.

Do not use a plastic vent.

Do not use a metal foil vent.

Failure to follow these instructions can result in death or fire.

Good Airflow

Along with heat, dryers require good airflow to efficiently dry laundry. Proper venting will reduce your drying times and improve your energy savings. See Installation Instructions.

The venting system attached to the dryer plays a big role in good airflow. Blocked or crushed vents as well as improper venting installation will reduce air flow and dryer performance.

Service calls caused by improper venting are not covered by the warranty and will be paid by the customer, regardless of who installed the dryer. To clean or repair venting, contact a venting specialist.

Non-Use and Vacation Care

Operate your stacked laundry center only when you are home. If moving, or not using your stacked laundry center for a period of time, follow these steps:

- Unplug or disconnect power to the washer and dryer.
- Turn off the water supply to the stacked laundry center, to avoid flooding due to water pressure surge.

HELPFUL TIP: Attach a reminder note to the washer to turn the water back on before washer's next use.

- Clean the Dispensers. Not all models are equipped with dispensers. If your model has dispensers, refer to the Cleaning Dispensers section located in the Product Guide online.
- Clean lint screen. See "Cleaning the Lint Screen."

Winter Storage Care

IMPORTANT: To avoid damage, install and store the stacked laundry center where it will not freeze. Because some water may stay in hoses, freezing can damage the washer. If storing or moving during freezing weather, winterize your washer.

To winterize washer:

- Shut off both water faucets; disconnect and drain water inlet hoses.

HELPFUL TIP: Attach a reminder note to the washer to turn the water back on before washer's next use.
- Put 1 quart (1 L) of R.V. type antifreeze in basket and run washer on Drain/Spin cycle for about 30 seconds to mix antifreeze and remaining water.
- Unplug the washer and dryer.

Transporting Your Stacked Laundry Center

- Shut off both water faucets. Disconnect and drain water inlet hoses.
- If the stacked laundry center will be moved during freezing weather, follow "Winter Storage Care" directions before moving.
- Disconnect drain hose from drain system and from back of washer.
- Unplug the power cords on washer and dryer.
- Place inlet hoses and drain hose inside washer basket.
- Bundle the power cords with a rubber band or cable tie to keep them from hanging to the ground.
- Make sure leveling legs are secure in washer base.
- Use tape to secure doors.

IMPORTANT: Call for service to install new transport bolts. Do not reuse transport bolts. The stacked laundry center must be transported in the upright position. To avoid structural damage to your stacked laundry center, it must be properly set up for relocation by a certified technician.

Reinstalling/Using the Stacked Laundry Center Again

To reinstall the stacked laundry center after non-use, vacation, winter storage, or moving:

- Follow the Installation Instructions to Install, level and connect the stacked laundry center.
- Before using again, run washer through the following recommended procedure:

To use the stacked laundry center again:

- Flush water pipes and hoses. Reconnect water inlet hoses. Turn on both water faucets.
- Plug in the washer and dryer.
- Run the washer through a full cycle (Clean Washer cycle if preferred, if equipped) to clean washer and remove antifreeze, if used. Use only HE (High Efficiency) detergent. Use 1/2 the manufacturer's recommended amount for a medium-size load.

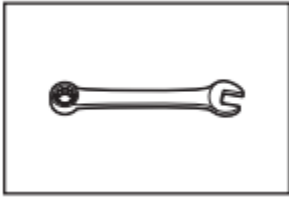
INSTALLATION INSTRUCTIONS

REQUIREMENTS

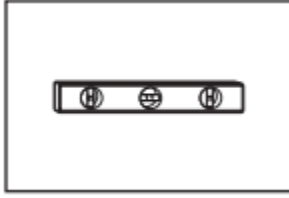
Tools and Parts

Gather required tools and parts before starting installation.

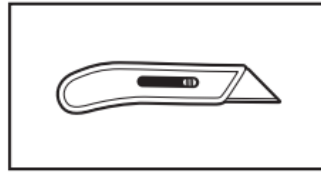
Tools Needed:



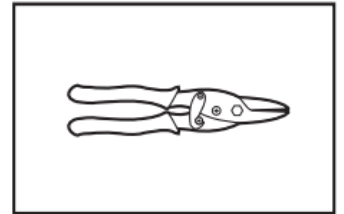
Adjustable or open end wrenches 1/2" (13 mm), 5/8" (16 mm), and 9/16" (14.3 mm)



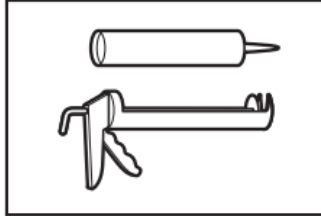
Level



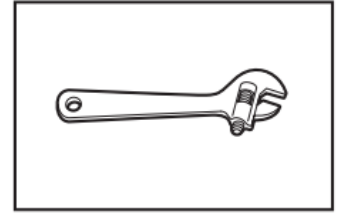
Utility knife



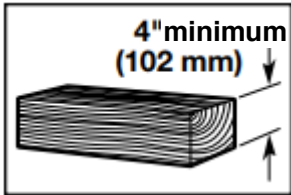
Tin snips



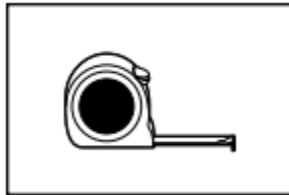
Caulking gun and compound



Adjustable wrench that opens to 1" (25 mm) or hex-head socket wrench



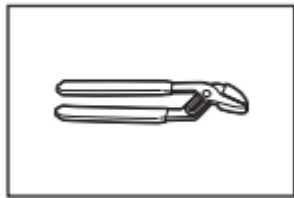
Wood block



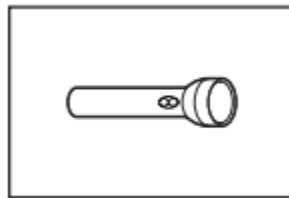
Ruler or measuring tape



Bucket



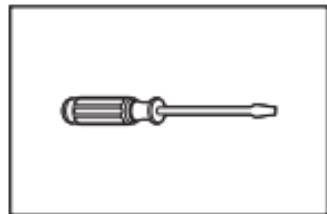
Adjustable pliers that open to 1 9/16" (39.7 mm)



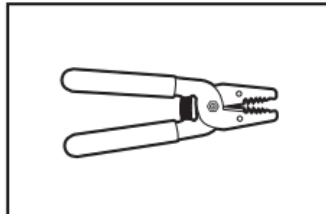
Flashlight



Drain hose with clamp, and if supplied: U-form with cable tie



Flat-blade screwdriver



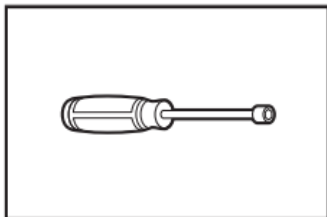
Wire stripper

Parts Needed: (if not supplied)

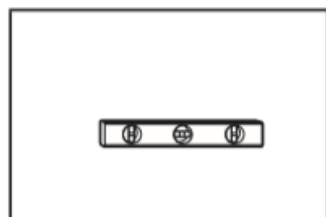


Inlet hoses with flat washers

NOTE: Various inlet hose options are available; check your Quick Start Guide for ordering information.

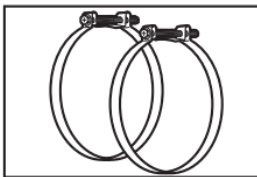


1/4" Nut driver

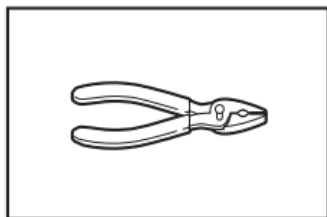


Level

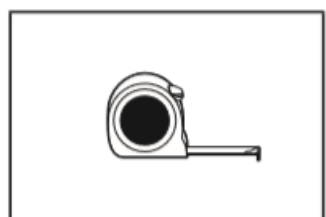
Vented Models:



Vent Clamps, elbows, and vent work



Pliers



Tape measure

Additional parts may be required, depending on your installation. Check local codes. Check existing electrical supply and venting. See "Electrical Requirements" and "Venting Requirements" before purchasing parts. Mobile home installations require metal exhaust system hardware available for purchase from the dealer from whom you purchased your Stacked Laundry Center. For further information, please refer to the Quick Start Guide for service contact information.

Available Accessories

Accessories and replacement parts are available for your model. For ordering and contact information, please reference your Quick Start Guide.


Alternate Parts (not supplied)

Your installation may require additional parts. To order, please refer to contact information on your Quick Start Guide.

If you have:	You will need:
Overhead sewer	Standard 20 gallons (76 L) 39" (991 mm) tall drain tub or utility sink, sump pump, and connectors (available from local plumbing suppliers)

Location Requirements

⚠ WARNING



Explosion Hazard

Keep flammable materials and vapors, such as gasoline, away from dryer.

Do not dry anything that has ever had anything flammable on it (even after washing).

Failure to follow these instructions can result in death, explosion, or fire.

Check code requirements. Some codes limit, or do not permit, installing dryer in garages, closets, mobile homes, or sleeping quarters. Contact your local building inspector.

IMPORTANT: Do not install, store or operate the stacked laundry center where it will be exposed to weather or in temperatures below 45°F (7°C). Lower temperatures may cause dryer not to shut off at end of automatic sensor cycles, resulting in longer drying times and water remaining in washer after use may cause damage in low temperatures. See the "Stacked Laundry Center Maintenance and Care" for winterizing information.

Select proper location for your stacked laundry center to improve performance and minimize noise. Install your stacked laundry center in a basement, laundry room, closet or recessed area.

Proper installation is your responsibility.

You will need

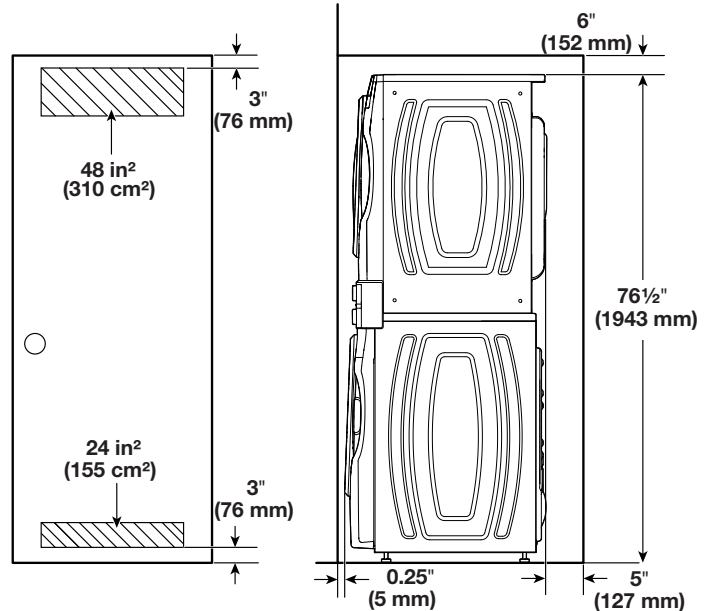
- A water heater set to 120°F (49°C).
- A grounded electrical outlet located within 2 feet (610 mm) of power cord on back of the washer and dryer.
- Hot and cold water faucets located within 4 feet (1.2 m) of hot and cold water fill valves on washer, and water pressure of 20-100 psi (137.9-689.6 kPa).
- A location allowing for proper exhaust installation. See "Venting Requirements."
- A separate 30 A circuit for electric dryers.
- A level floor with maximum slope of 1" (25 mm) under entire stacked laundry center. Installing on carpet or surfaces with foam backing is not recommended.
- If the slope is greater than 1" (25 mm), install Extended Feet Kit. If not level, clothes may not wash or tumble properly and automatic sensor cycles may not operate correctly.

- Floor must support the stacked laundry center's total weight (with water and load) of 315 pounds (143 kg).
- For garage installation, place the stacked laundry center at least 18" (460 mm) above the floor.
- The stacked laundry center must not be installed or stored in an area where it will be exposed to water and/or weather.

IMPORTANT: Do not operate dryer at temperatures below 45°F (7°C). Lower temperatures may cause dryer not to shut off at end of automatic sensor cycles, resulting in longer drying times.

All dimensions show minimum spacing allowed. For each arrangement, consider allowing more space for ease of installation and servicing, and spacing for companion appliances and clearances for walls, doors, and floor moldings. Space must be large enough to allow door to fully open. Add spacing of 1" (25 mm) on all sides of the stacked laundry center to reduce noise transfer. Doors must be louvered or equivalent and have at least 24 in² (155 cm²) bottom and 48 in² (310 cm²) top open area.

Recessed area or closet installation



Mobile Home – Additional installation requirements

This dryer is suitable for mobile home installations. The installation must conform to the Manufactured Home Construction and Safety Standard, Title 24 CFR, Part 3280 (formerly the Federal Standard for Mobile Home Construction and Safety, Title 24, HUD Part 280) or the Standard for Mobile Homes, CAN/CSA-Z240 MH.

Mobile home installations require:

- Metal exhaust system hardware, which is available for purchase from your dealer.
- Special provisions must be made in mobile homes to introduce outside air into the dryer. The opening (such as a nearby window) should be at least twice as large as the dryer exhaust opening.

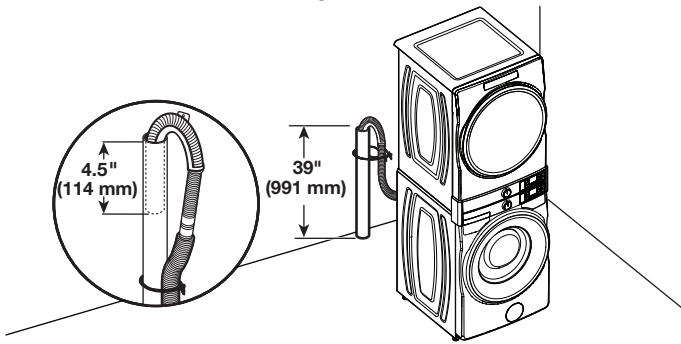
Drain System

It is the responsibility of the installer to install and secure the drain hose in to the provided plumbing/drain in a manner that will avoid the drain hose coming out of or leaking from the plumbing/drain.

Drain system can be installed using a floor drain, wall standpipe, floor standpipe, or laundry tub. Select the method you need.

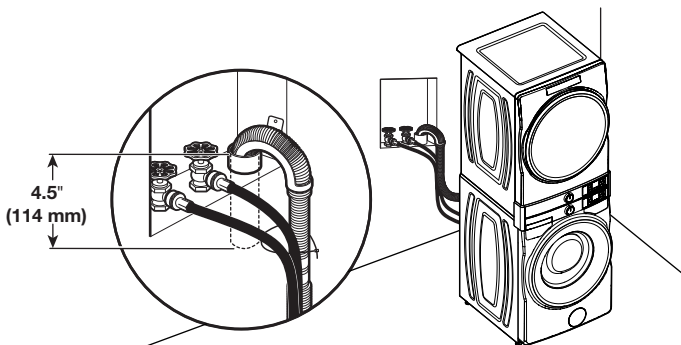
IMPORTANT: To avoid siphoning, only 4.5" (114 mm) of drain hose should be inside standpipe. Always secure drain hose with cable tie.

Floor standpipe drain system



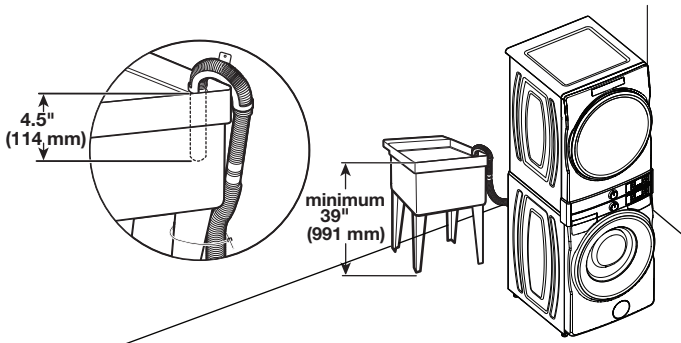
Minimum diameter for a standpipe drain: 2" (51 mm). Minimum carry-away capacity: 17 gallons (64 L) per minute. A 1/4" (6 mm) diameter to 1" (25 mm) diameter Standpipe Adapter Kit is available; refer to the Quick Start Guide for online ordering information. Top of standpipe must be at least 39" (991 mm) high; install no higher than 48" (1.2 m) from bottom of washer. If you have an overhead sewer and need to pump higher than 48" (1.2 m), a sump pump and associated hardware are needed. See "Alternate Parts."

Wall standpipe drain system

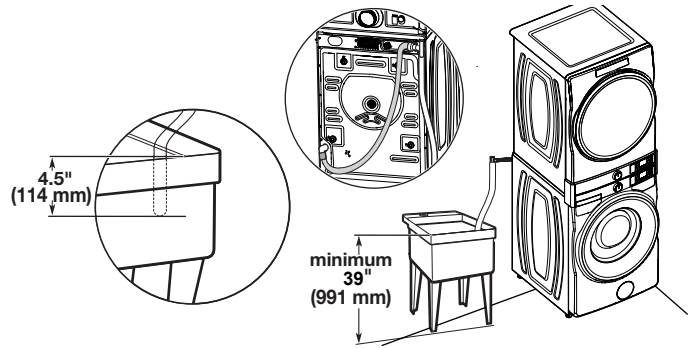


See requirements in "Floor standpipe drain system."

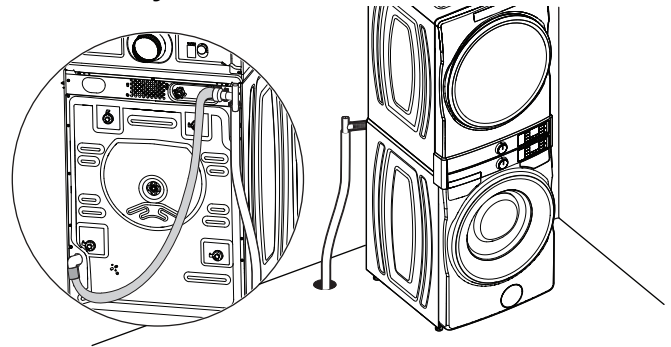
Laundry tub drain system



Minimum capacity: 20 gallons (76 L). Top of laundry tub must be at least 39" (991 mm) from the floor; install no higher than 48" (1.2 m) from bottom of washer.



Floor drain system



Floor drain system requires a Siphon Break Kit, 2 Connector Kits, and an Extension Drain Hose that may be purchased separately; refer to the Quick Start Guide for online ordering information. Minimum siphon break height: 28" (710 mm) from bottom of washer. (Additional hoses may be needed.)

Home Venting Requirements

⚠ WARNING



Fire Hazard

Use a heavy metal vent.

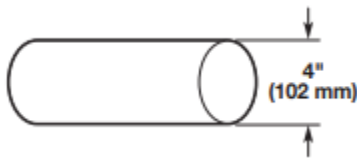
Do not use a plastic vent.

Do not use a metal foil vent.

Failure to follow these instructions can result in death or fire.

WARNING: To reduce the risk of fire, this dryer MUST BE EXHAUSTED OUTDOORS.

IMPORTANT: Observe all governing codes and ordinances. Dryer exhaust must not be connected into any gas vent, chimney, wall, ceiling, attic, crawlspace, or a concealed space of a building. Only rigid or flexible metal vent shall be used for exhausting. Do not use plastic or metal foil vent.



- Only a 4" (102 mm) heavy metal exhaust vent and clamps may be used.
- Do not use plastic or metal foil vent.

Rigid metal vent:

- Recommended for best drying performance and to avoid crushing and kinking.

Flexible metal vent (acceptable only if accessible to clean):

- Must be fully extended and supported in final dryer location.
- Remove excess to avoid sagging and kinking that may result in reduced airflow and poor performance.
- Do not install in enclosed walls, ceilings, or floors.
- The total length should not exceed 7³/₄ ft (2.4 m).
- The length of flexible metal vent used must be included in the overall vent system design as shown in the "Vent System Chart."

Home Venting System:

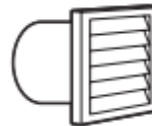
- If using an existing home vent system, clean lint from the entire length of the system before installing the dryer.
- Make sure external exhaust hoods outside of the home is not plugged with lint or other outside debris.
- Replace plastic or metal foil vents with rigid metal or flexible metal vents. Review "Vent System Chart" and, if necessary, modify existing home vent system to achieve best drying performance.

Exhaust hoods:

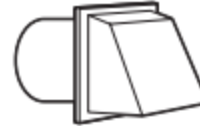
- An exhaust hood should cap the vent to keep rodents and insects from entering the home.
- Must be at least 12" (305 mm) from ground or any object that may obstruct exhaust (such as flowers, rocks, bushes, or snow).
- Do not use an exhaust hood with a magnetic latch.

Recommended Styles:

Acceptable Style:



Louvered Hood



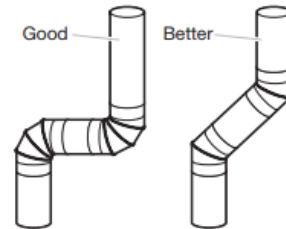
Box Hood



Angled Hood

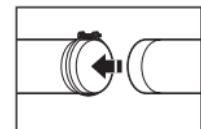
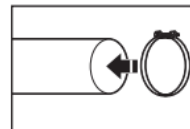
Elbows:

- 45° elbows provide better airflow than 90° elbows.



Clamps:

- Use clamps to seal all joints.
- Exhaust vent must not be connected or secured with screws or other fastening devices that extend into interior of duct and catch lint. Do not use duct tape.

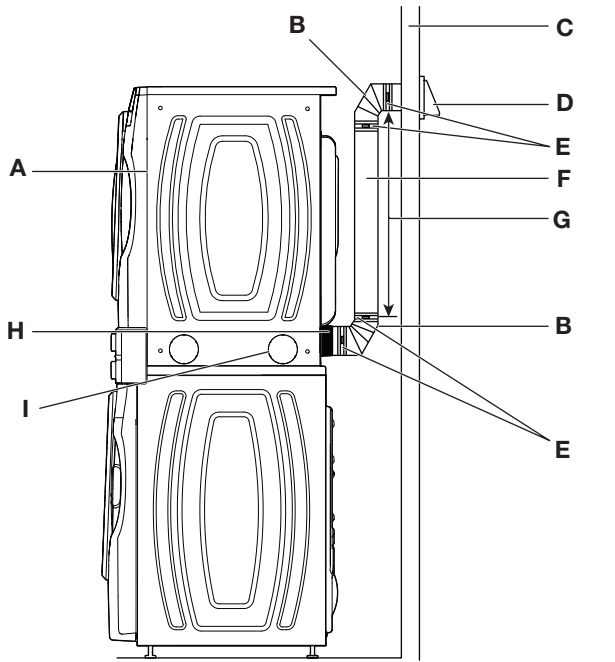


Vent products can be purchased from your dealer. For contact and ordering information, refer to your Quick Start Guide.

Plan Vent System

Recommended exhaust installations:

Typical installations vent the dryer from the rear of the dryer. Other installations are possible.



- A. Dryer
- B. Elbow
- C. Wall
- D. Exhaust hood
- E. Clamps
- F. Rigid metal or flexible metal vent
- G. Vent length necessary to connect elbows
- H. Exhaust outlet
- I. Optional side exhaust outlet

Optional exhaust installations:

⚠ WARNING

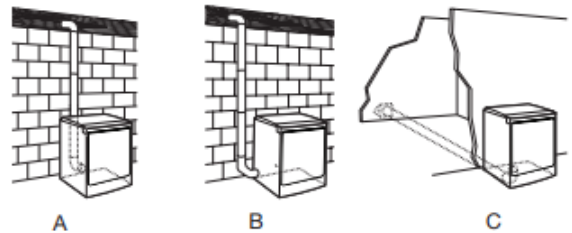
Fire Hazard

Cover unused exhaust holes with a manufacturer's exhaust cover kit.

Contact your local dealer.

Failure to follow these instructions can result in death, fire, electrical shock, or serious injury.

Some models can be converted to exhaust out the right side, left side, or through the bottom. If you prefer, you may contact your local dealer to have the dryer converted.

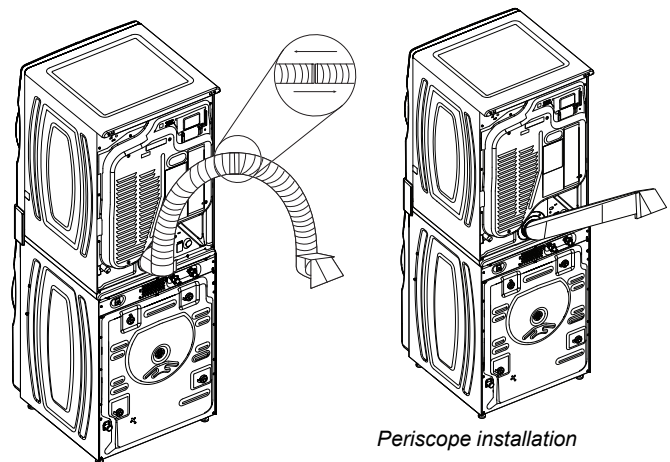


- A. Standard rear offset exhaust installation
- B. Left or right side exhaust installation (available only on select 27" wide models).
- C. Bottom exhaust installation (available only on select 27" wide models).

Alternate installations for close clearances

Venting systems come in many varieties. Select the type best for your installation. Two close-clearance installations are shown.

NOTE: The following kits for close-clearance alternate installations are available for purchase. Refer to Quick Start Guide for contact information.

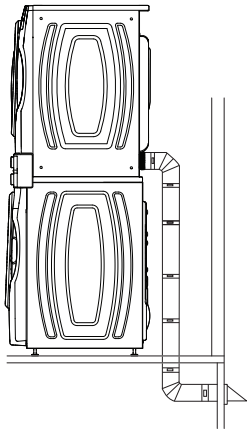


Over-The-Top installation (also available with one offset elbow)

Periscope installation

Special provisions for mobile home installations:

Exhaust vent must be securely fastened to a noncombustible portion of the mobile home and must not terminate beneath the mobile home. Terminate exhaust vent outside.



Determine vent path:

- Select route that will provide straightest and most direct path outdoors.
- Plan installation to use fewest number of elbows and turns.
- When using elbows or making turns, allow as much room as possible.
- Bend vent gradually to avoid kinking.
- Use as few 90° turns as possible.

Determine vent length and elbows needed for best drying performance:

- Use following "Vent System Chart" to determine type of vent material and hood combinations acceptable to use.

NOTE: Do not use vent runs longer than those specified in "Vent System Chart." Exhaust systems longer than those specified will:

- Shorten life of dryer.
- Reduce performance, resulting in longer drying times and increased energy usage.

The "Vent System Chart" provides venting requirements that will help achieve best drying performance.

Vent System Chart		
Number of 90° turns or elbows	Type of vent	Box/louvered or Angled hoods
0	Rigid metal	64 ft (20 m)
1	Rigid metal	54 ft (16.5 m)
2	Rigid metal	44 ft (13.4 m)
3	Rigid metal	35 ft (10.7 m)
4	Rigid metal	27 ft (8.2 m)

NOTE: Side and bottom exhaust installations have a 90° turn inside the dryer. To determine maximum exhaust length, add one 90° turn to the chart.

Additional Elbows

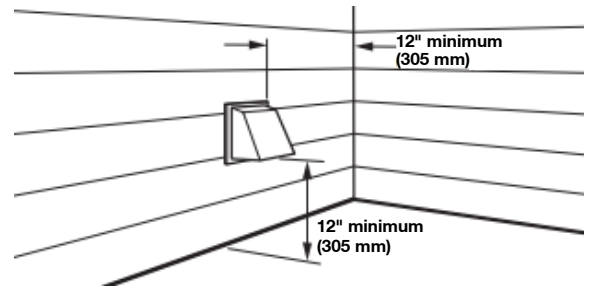
In cases in which the Installation Instructions do not address the vent length for the specific number of elbows required for a particular application, the following calculations may be used. (The total vent system length includes all straight and curved portions of the vent system):

- For 90° elbows, reduce the allowable vent system length by 10 ft (3.05 m).
- For 45° elbows, reduce the allowable vent system length by 6 ft (1.83 m).

For example, if the Installation Instructions state that a dryer is allowed 40 ft (12.2 m) of total vent length with two 90° bends, the total allowable vent length would be reduced by 20 ft (6.0 m) (from 40 ft [12.2 m] to 20 ft [6.0m]).

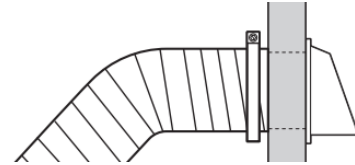
Install Vent System

1. Install exhaust hood



Install exhaust hood and use caulking compound to seal exterior wall opening around exhaust hood.

2. Connect vent to exhaust hood



Vent must fit over the exhaust hood. Secure vent to exhaust hood with 4" (102 mm) clamp. Run vent to dryer location using straightest path possible. Avoid 90° turns. Use clamps to seal all joints. Do not use duct tape, screws, or other fastening devices that extend into interior of vent to secure vent, because they can catch lint.

Washer Electrical Requirements

⚠ WARNING



Electrical Shock Hazard

Plug into a grounded 3 prong outlet.

Do not remove ground prong.

Do not use an adapter.

Do not use an extension cord.

Failure to follow these instructions can result in death, fire, or electrical shock.

- A 120 V, 60 Hz AC only, 15 or 20 A, fused electrical supply is required. A time-delay fuse or circuit breaker is recommended. It is recommended that a separate circuit breaker serving only this appliance be provided.
- This washer is equipped with a power supply cord having a 3-prong grounding plug.
- To minimize possible shock, the cord must be plugged into a mating, 3-prong, grounding-type outlet, grounded in accordance with local codes and ordinances. If a mating outlet is not available, it is the personal responsibility and obligation of the customer to have the properly grounded outlet installed by a qualified electrician.
- If codes permit and a separate ground wire is used, it is recommended that a qualified electrician determine that the ground path is adequate.

- Do not ground to a gas pipe.
- Check with a qualified electrician if you are not sure the washer is properly grounded.
- Do not have a fuse in the neutral or ground circuit.
- This appliance is provided with two power-supply connections to the power supply. Each appliance shall be connected to an individual branch circuit. The washer and dryer must be on individual circuits.

GROUNDING INSTRUCTIONS

For a grounded, cord-connected appliance:

This appliance must be grounded. In the event of a malfunction or breakdown, grounding will reduce the risk of electric shock by providing a path of least resistance for electric current. This appliance is equipped with a cord having an equipment-grounding conductor and a grounding plug. The plug must be plugged into an appropriate outlet that is properly installed and grounded in accordance with all local codes and ordinances.

WARNING: Improper connection of the equipment-grounding conductor can result in a risk of electric shock. Check with a qualified electrician or serviceman if you are in doubt as to whether the appliance is properly grounded. Do not modify the plug provided with the appliance: If it will not fit the outlet, have a proper outlet installed by a qualified electrician.

SAVE THESE INSTRUCTIONS

Dryer Electrical Requirements - U.S.A. & Dryer Electrical Requirements - Canada

Electrical Requirements – U.S.A.

It is your responsibility:

- To contact a qualified electrical installer.
- To be sure that the electrical connection is adequate and in conformance with the National Electrical Code, ANSI/NFPA 70 – latest edition and all local codes and ordinances. The National Electrical Code requires a 4-wire power supply connection for homes built after 1996, dryer circuits involved in remodeling after 1996, and all mobile home installations. A copy of the above code standards can be obtained from: National Fire Protection Association, One Batterymarch Park, Quincy, MA 02169–7471.
- To supply the required 3- or 4-wire, single-phase, 120/240 V, 60 Hz AC only electrical supply (or 3- or 4-wire, 120/208 V electrical supply, if specified on the serial/rating plate) on a separate 30 A circuit, fused on both sides of the line. Connect to an individual branch circuit. Do not have a fuse in the neutral or grounding circuit.
- Do not use an extension cord.
- If codes permit and a separate ground wire is used, it is recommended that a qualified electrician determine that the ground path is adequate.

Electrical Connection

To properly install your dryer, you must determine the type of electrical connection you will be using and follow the instructions provided for it here.

- This dryer is manufactured ready to install with a 3-wire electrical supply connection. The neutral bond conductor is permanently connected to the neutral conductor (white wire) within the dryer. If the local electrical codes require the use of a ground-fault circuit interrupter, then a 4 wire electrical supply connection is required. The neutral bond conductor must be removed from the external ground connector (green screw), and secured under the neutral terminal (center or white wire) of the terminal block. When the neutral bond conductor is secured under the neutral terminal (center or white wire) of the terminal block, the dryer cabinet is isolated from the neutral conductor. The green ground wire of the 4-wire power cord must be secured to the dryer cabinet with the green ground screw.
- If local codes do not permit the connection of a neutral bond wire to the neutral wire, see “Optional 3-Wire Connection.”
- A 4-wire power supply connection must be used when the appliance is installed in a location where grounding through the neutral conductor is prohibited. Grounding through the neutral conductor is prohibited for (1) new branch-circuit installations after 1996, (2) mobile homes, (3) recreational vehicles, and (4) areas where local codes prohibit grounding through the neutral conductors.

If using a power supply cord:

Use a UL listed power supply cord kit marked for use with clothes dryers. The kit should contain:

- A UL listed 30 A power supply cord, rated 120/240 V minimum. The cord should be type SRD or SRDT and be at least 4 ft (1.22 m) long. The wires that connect to the dryer must end in ring terminals or spade terminals with upturned ends.
- A UL listed strain relief.

If your outlet looks like this:



4-wire receptacle
(14-30R)

Then choose a 4-wire power supply cord with ring or spade terminals and UL listed strain relief. The 4-wire power supply cord, at least 4 ft (1.22 m) long, must have four 10-gauge copper wires and match a 4-wire receptacle of NEMA Type 14-30 R. The ground wire (ground conductor) may be either green or bare. The neutral conductor must be identified by a white cover.

If your outlet looks like this:



3-wire receptacle
(10-30R)

Then choose a 3-wire power supply cord with ring or spade terminals and UL listed strain relief. The 3-wire power supply cord, at least 4 ft (1.22 m) long, must have three 10-gauge copper wires and match a 3-wire receptacle of NEMA Type 10-30R.

If connecting by direct wire:

Power supply cable must match power supply (4-wire or 3-wire) and be:

- Flexible armored cable or nonmetallic sheathed copper cable (with ground wire), covered with flexible metallic conduit. All current-carrying wires must be insulated.
- 10-gauge solid copper wire (do not use aluminum) at least 5 ft (1.52 m) long.

GROUNDING INSTRUCTIONS

For a grounded, cord-connected appliance:

This appliance must be grounded. In the event of a malfunction or breakdown, grounding will reduce the risk of electric shock by providing a path of least resistance for electric current. This appliance is equipped with a cord having an equipment-grounding conductor and a grounding plug. The plug must be plugged into an appropriate outlet that is properly installed and grounded in accordance with all local codes and ordinances.

WARNING: Improper connection of the equipment-grounding conductor can result in a risk of electric shock. Check with a qualified electrician or serviceman if you are in doubt as to whether the appliance is properly grounded. Do not modify the plug provided with the appliance: If it will not fit the outlet, have a proper outlet installed by a qualified electrician.

For a permanently connected appliance:

This appliance must be connected to a grounded metal, permanent wiring system, or an equipment-grounding conductor must be run with the circuit conductors and connected to the equipment-grounding terminal or lead on the appliance.

SAVE THESE INSTRUCTIONS

- If codes permit and a separate ground wire is used, it is recommended that a qualified electrician determine that the ground path is adequate.
- Do not use an extension cord.
For further information, or to obtain a Power Supply Cord Replacement, please reference the contact information listed on your Quick Start Guide.

GROUNDING INSTRUCTIONS

For a grounded, cord-connected appliance:

This appliance must be grounded. In the event of a malfunction or breakdown, grounding will reduce the risk of electric shock by providing a path of least resistance for electric current. This appliance is equipped with a cord having an equipment-grounding conductor and a grounding plug. The plug must be plugged into an appropriate outlet that is properly installed and grounded in accordance with all local codes and ordinances.

WARNING: Improper connection of the equipment-grounding conductor can result in a risk of electric shock. Check with a qualified electrician or serviceman if you are in doubt as to whether the appliance is properly grounded. Do not modify the plug provided with the appliance: if it will not fit the outlet, have a proper outlet installed by a qualified electrician.

SAVE THESE INSTRUCTIONS

Electric Requirements – Canada

⚠ WARNING



Electrical Shock Hazard

Plug into a grounded 4 prong outlet.

Failure to do so can result in death or electrical shock.

It is your responsibility:

- To contact a qualified electrical installer.
- To be sure that the electrical connection is adequate and in conformance with Canadian Electrical Code, C22.1 – latest edition and all local codes. A copy of above codes standard may be obtained from: Canadian Standards Association, 178 Rexdale Blvd., Toronto, ON M9W 1R3 CANADA.
- To supply the required 4-wire, single-phase, 120/240 V, 60 Hz AC only electrical supply on a separate 30 A circuit, fused on both sides of the line. A time-delay fuse or circuit breaker is recommended. Connect to an individual branch circuit.
- This dryer is equipped with a UL-listed and/or CSA International Certified Power Cord intended to be plugged into a standard 14-30R wall receptacle. The cord is 5 ft (1.52 m) long. Be sure wall receptacle is within reach of dryer's final location.



4-wire receptacle
(14-30R)

INSTALLATION

Unpacking

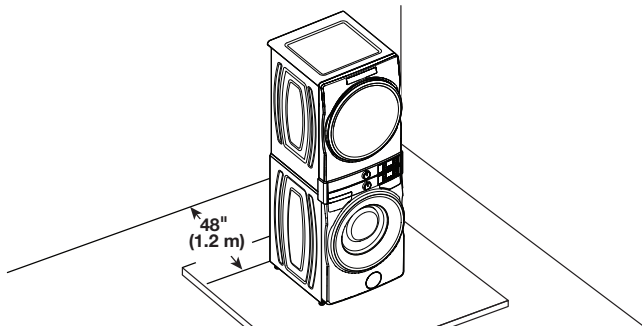
⚠ WARNING

Excessive Weight Hazard

Use two or more people to move and install or uninstall appliance.

Failure to do so can result in back or other injury.

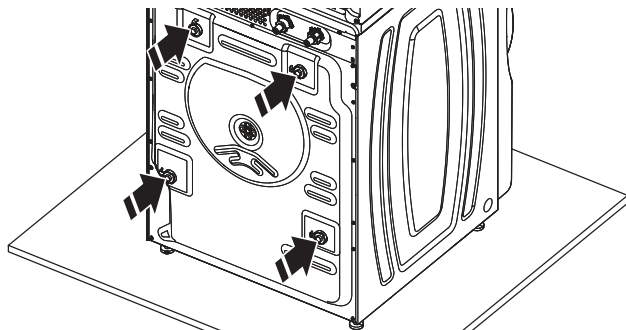
1. Move the stacked laundry center



It is necessary to remove all shipping materials for proper operation and to avoid excessive noise from the stacked laundry center.

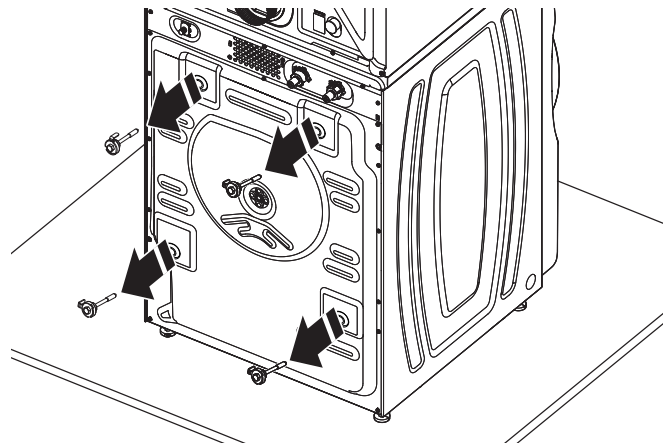
Move the stacked laundry center to within 4 feet (1.2 m) of its final location. It must be in a fully upright position.

2. Locate transport bolts



Locate four transport bolts on rear of washer.

3. Remove transport bolts from washer

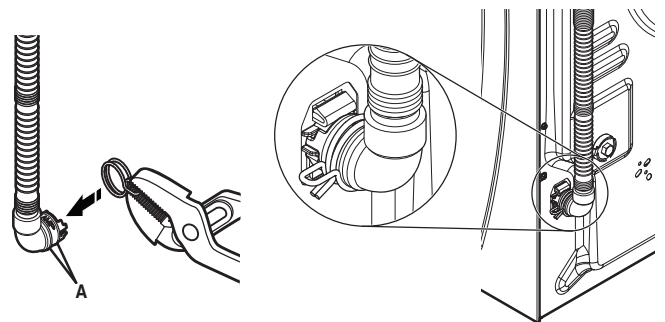


Loosen bolts with a 5/8" (16 mm) wrench. Slide each bolt and spacer to center of hole. Pull bolts and plastic spacers from back of washer. Discard bolts and spacers.

IMPORTANT: Do not plug washer in until installation has been completed.

Connect Drain Hose

4. Attach drain hose to drain port



A - Ribs

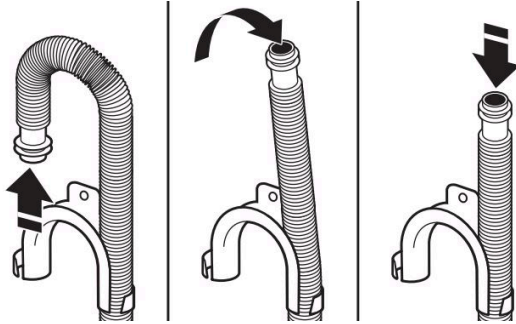
If clamp is not already in place on elbow end of drain hose, squeeze clamp with pliers and slide it over end of hose, centering it between the ribs, as shown. Squeeze clamp with pliers and slide elbow end of drain hose onto drain port and secure with clamp.

For a laundry tub or standpipe drain, go to step 6.

For a floor drain, remove the preinstalled drain hose form as shown in step 5. You may need additional parts with separate directions. See "Alternate Parts."

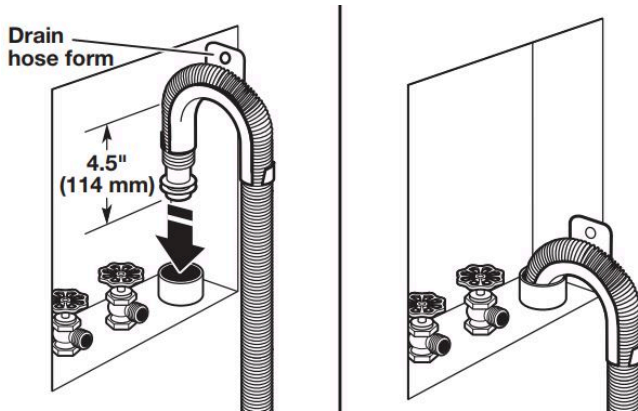
It is the responsibility of the installer to install and secure the drain hose into the provided plumbing/drain in a manner that will avoid the drain hose coming out of or leaking from the plumbing/drain.

5. Remove drain hose form (floor drain installations only)



For floor drain installations, you will need to remove the drain hose form from the end of the drain hose. You may need additional parts with separate directions; refer to the Quick Start Guide.

6. Place drain hose in standpipe



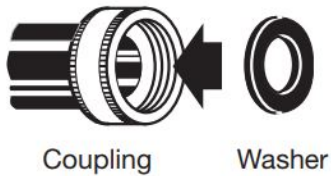
Place hose into standpipe (shown in picture) or over side of laundry tub.

IMPORTANT: 4.5" (114 mm) of drain hose should be inside standpipe; do not force excess hose into standpipe or lay on bottom of laundry tub. Drain hose form must be used.

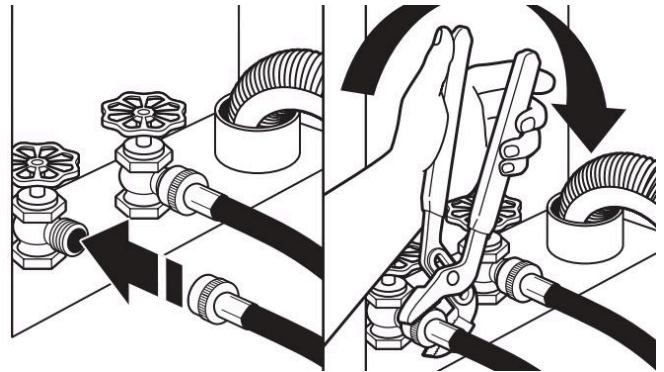
Connect Inlet Hoses

IMPORTANT: To avoid leaks, check that your water inlet hoses have flat washers at both ends. Washer must be connected to water faucets with new inlet hoses with flat washers (not provided). Do not use old hoses. Do not use hoses without washers.

7. Insert new flat washers



8. Connect inlet hoses to water faucets



IMPORTANT: Do not overtighten or use tape or sealants on valve when attaching to faucets or washer. Damage can result.

Attach the hose labeled hot to hot water faucet. Screw on coupling by hand until it is seated on washer. Use adjustable pliers to tighten couplings an additional two-thirds turn. Repeat this step with the hose labeled cold for the cold water faucet. Both hoses must be connected for washer to work properly.

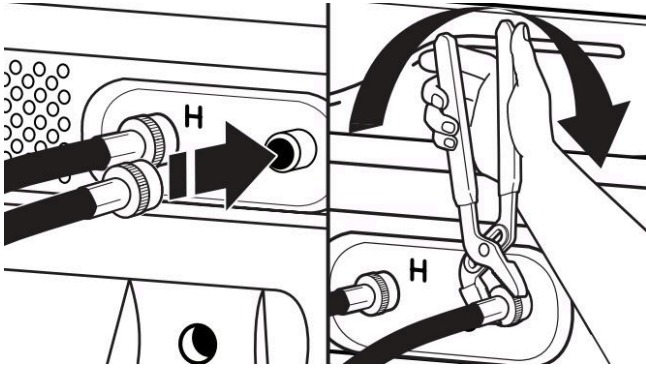
HELPFUL TIP: Make note of which hose is connected to hot water to help in attaching hoses to washer correctly. In most standard configurations, hoses will cross over each other when attached correctly.

9. Clear water lines



Run water for a few seconds through hoses into a laundry tub, drainpipe, or bucket to avoid clogs. Water should run until clear.

10. Connect inlet hoses to washer

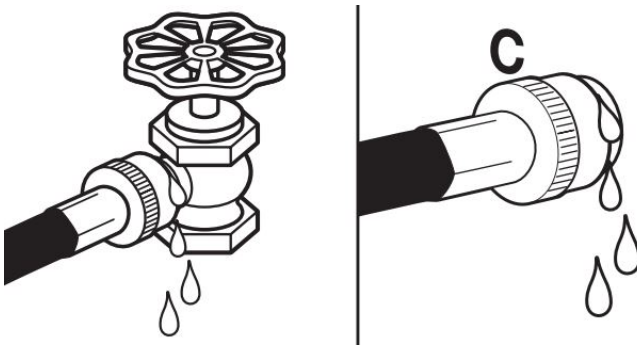


IMPORTANT: To reduce risk of hose failure, replace the hoses every 5 years. Record hose installation or replacement dates for future reference.

- Do not overtighten hose or use tape or sealants on the valve. Damage to the valves can result.
- Periodically inspect and replace hoses if bulges, kinks, cuts, wear, or leaks are found.

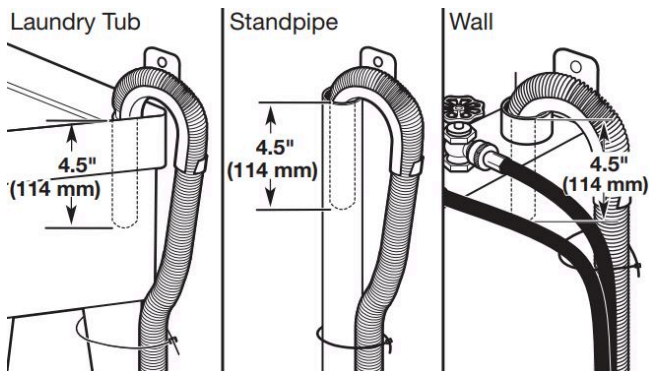
Attach hot water hose to hot water inlet valve. Screw coupling by hand until it is snug. Use adjustable pliers to tighten couplings an additional two-thirds turn. Repeat with cold water inlet valve.

11. Check for leaks



Slowly turn on water faucets to check for leaks. A small amount of water may enter washer. It will drain later.

12. Secure drain hose

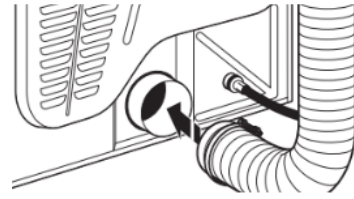


Secure drain hose to laundry tub leg, drain standpipe, or inlet hoses for wall standpipe with cable tie or beaded tie strap.

It is the responsibility of the installer to install and secure the drain hose in to the provided plumbing/drain in a manner that will avoid the drain hose coming out of or leaking from the plumbing/drain.

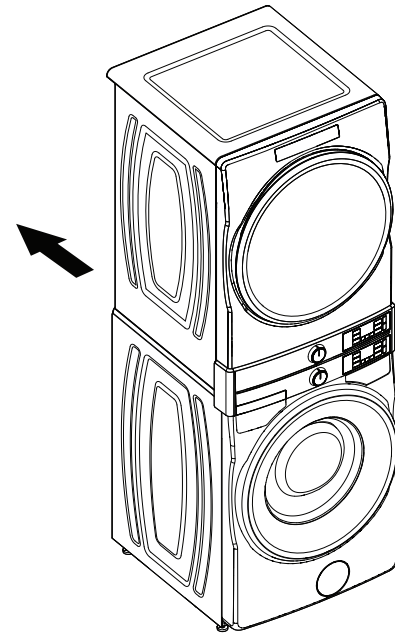
Connect Vent

1. Connect vent to exhaust outlet



Using a 4" (102 mm) clamp, connect vent to exhaust outlet in dryer. If connecting to existing vent, make sure vent is clean. Dryer vent must fit over dryer exhaust outlet and inside exhaust hood. Check that vent is secured to exhaust hood with a 4" (102 mm) clamp.

2. Move dryer to final location



Move dryer to final location. Avoid crushing or kinking the vent. After dryer is in place, remove corner posts and cardboard from under dryer.

Electrical Installation – U.S.A.

⚠ WARNING



Fire Hazard

For power supply cord, use a new UL listed 30 A power supply cord.

For direct wire, use 10 gauge copper wire.

Use a UL listed strain relief.

Disconnect power before making electrical connections.

Connect neutral wire (white or center wire) to center terminal (silver).

Connect ground wire (green or bare wire) to green ground connector.

Connect remaining 2 supply wires to remaining 2 terminals (gold).

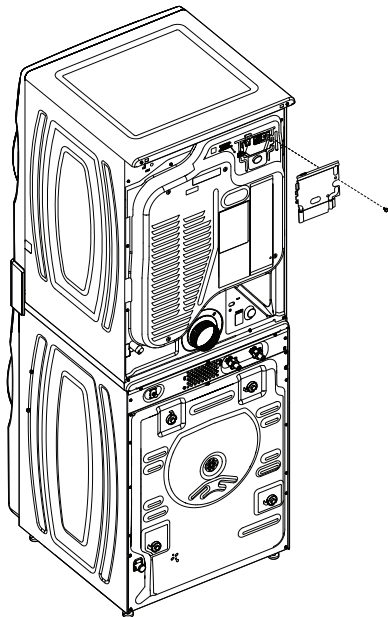
Securely tighten all electrical connections.

Failure to do so can result in death, fire, or electrical shock.

1. Disconnect power

2. Remove terminal block cover

NOTE: Your terminal block cover may be in a different location.



Remove hold-down screw and terminal block cover.

3. Choose electrical connection type



Power supply cord 4-wire receptacle (NEMA Type 14-30R): Refer to “4-Wire Power Supply Connection”. Then, go to “Venting Requirements.”



Power supply cord 3-wire receptacle (NEMA Type 10-30R): Refer to “3-Wire Power Supply Connection”. Then, go to “Venting Requirements.”



4-wire direct connection: Go to “Direct Wire Strain Relief,” then “4-Wire Direct Wire Connection,” then, go to “Venting Requirements.”



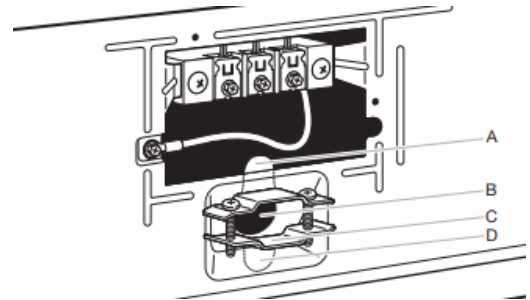
3-wire direct connection: Go to “Direct Wire Strain Relief,” then “3-Wire Direct Wire Connection,” then, go to “Venting Requirements.”

NOTE: If local codes do not permit connection of a cabinet-ground conductor to neutral wire, go to “Optional 3-wire Connection.” This connection may be used with either a power supply cord or a direct wire connection.

Power Supply Cord Connection

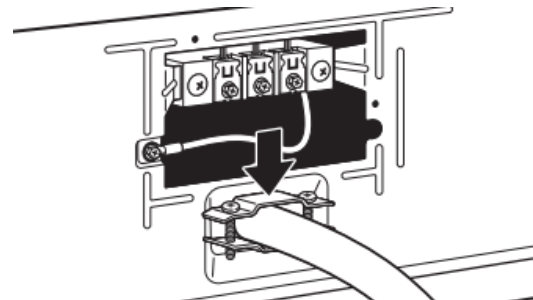
Power Supply Cord Strain Relief

1. Attach power supply cord strain relief



Remove the screws from a 3/4" (19 mm) UL-listed strain relief (UL marking on strain relief). Put the tabs of the two clamp sections (C) into the hole below the terminal block opening (B) so that one tab is pointing up (A) and the other is pointing down (D), and hold in place. Tighten strain relief screws just enough to hold the two clamp sections (C) together.

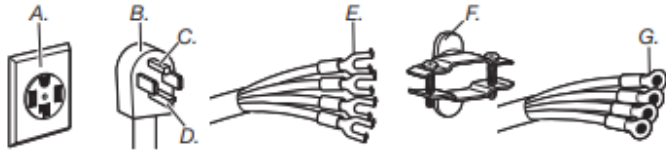
2. Attach power supply cord to strain relief



Put power supply cord through the strain relief. Be sure that the wire insulation on the power supply cord is inside the strain relief. The strain relief should have a tight fit with the dryer cabinet and be in a horizontal position. Tighten the strain relief against the power supply cord. Do not overtighten the strain relief screws.

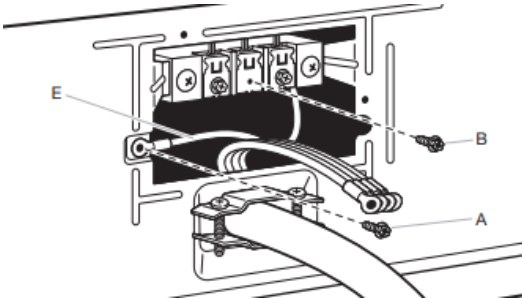
4-Wire Power Supply Connection

IMPORTANT: A 4-wire connection is required for mobile homes and where local codes do not permit the use of 3-wire connections.



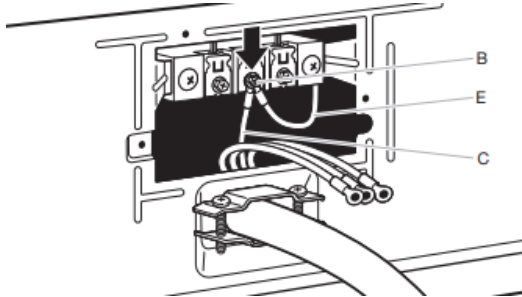
- A. 4-wire receptacle (NEMA type 14-30R)
- B. 4-prong plug
- C. Ground prong
- D. Neutral prong
- E. Spade terminals with upturned ends
- F. 3/4" (19 mm) UL-listed strain relief
- G. Ring terminals

3. Prepare ground wire appliance installation



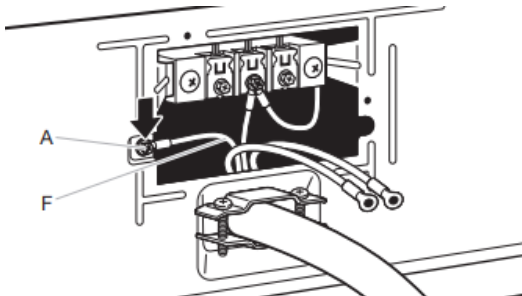
Remove center terminal block screw (B). Remove neutral bond wire (E) from green external ground conductor screw (A).

4. Connect neutral bond wire and neutral wire



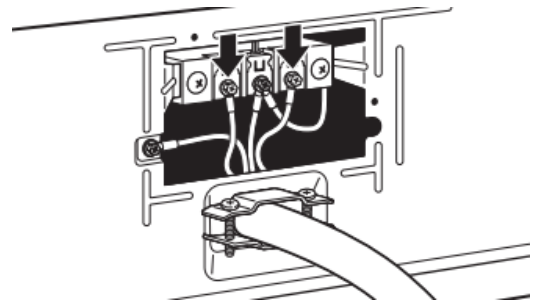
Connect neutral bond wire (E) and neutral wire (white or center) (C) of power supply cord under center terminal block screw (B). Tighten screw.

5. Connect ground wire



Connect ground wire (F) (green or bare) of power supply cord under green external ground conductor screw (A). Tighten screw.

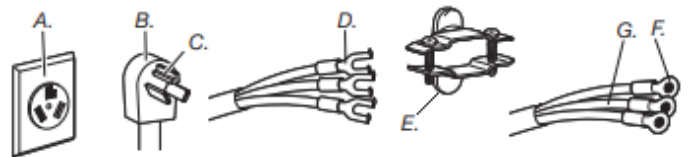
6. Connect remaining wires



Connect remaining wires under outer terminal block screws. Tighten screws. Insert tab of terminal block cover into slot of dryer rear panel. Secure cover with hold-down screw. Now, go to "Venting Requirements."

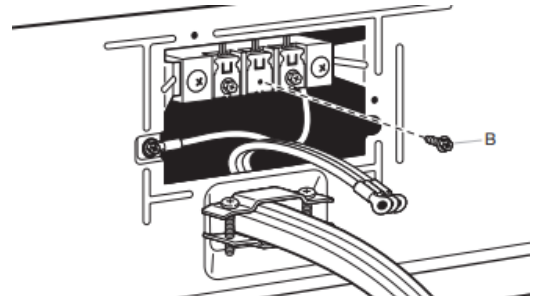
3-Wire Power Supply Connection

IMPORTANT: Use where local codes permit connecting cabinet-ground conductor to neutral wire.



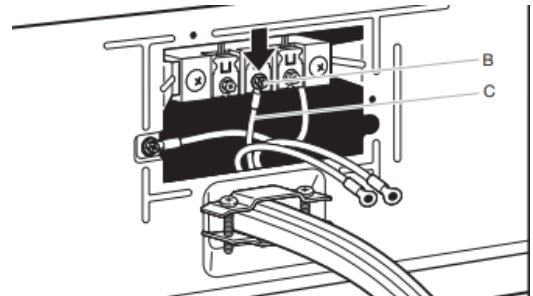
- A. 3-wire receptacle (NEMA type 10-30R)
- B. 3-wire plug
- C. Neutral prong
- D. Spade terminals with upturned ends
- E. 3/4" (19 mm) UL-listed strain relief
- F. Ring terminals
- G. Neutral (white or center wire)

3. Remove center screw



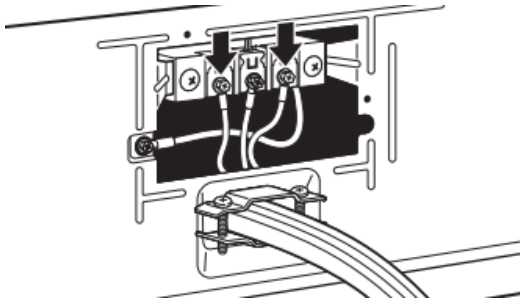
Remove center terminal block screw (B).

4. Connect neutral wire



Connect neutral wire (white or center) (C) of power supply cord under center terminal block screw (B). Tighten screw.

5. Connect remaining wires

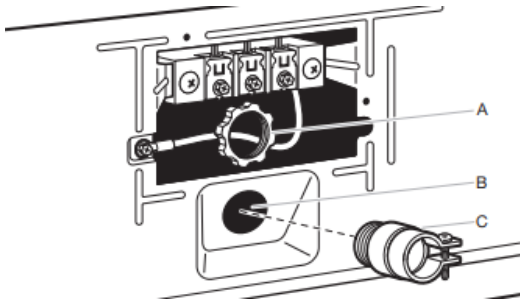


Connect remaining wires under outer terminal block screws. Tighten screws. Insert tab of terminal block cover into slot of dryer rear panel. Secure cover with hold-down screw. Now, go to "Venting Requirements."

Direct Wire Connection

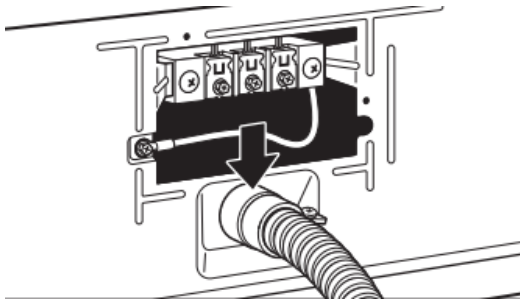
Direct wire strain relief

1. Attach direct wire strain relief



Unscrew the removable conduit connector (A) and any screws from a 3/4" (19 mm) UL-listed strain relief (UL marking on strain relief). Put the threaded section of the strain relief through the hole below the terminal block opening (B). Reaching inside the terminal block opening, screw the removable conduit connector (A) onto the strain relief threads (C) and tighten securely.

2. Attach direct wire cable to strain relief



Put direct wire cable through the strain relief. The strain relief should have a tight fit with the dryer cabinet and be in a horizontal position. Tighten strain relief screw against the direct wire cable.

For 4-wire Direct Wire Connection, continue to step 3.



4-wire direct wire connection: Go to "4-Wire Direct Wire Connection."

For 3-wire Direct Wire Connection, continue to step 3.

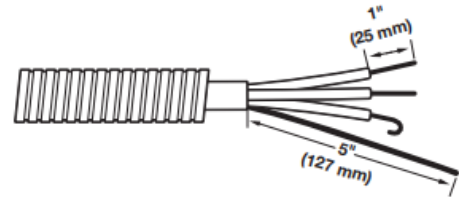


3-wire direct wire connection: Go to "3-Wire Direct Wire Connection."

4-Wire Direct Wire Connection

IMPORTANT: A 4-wire connection is required for mobile homes and where local codes do not permit 3-wire connections.

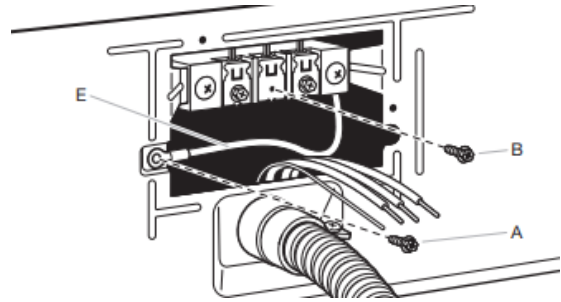
3. Prepare your 4-wire cable for direct connection



Direct wire cable must have 5 ft (1.52 m) of extra length so dryer may be moved if needed.

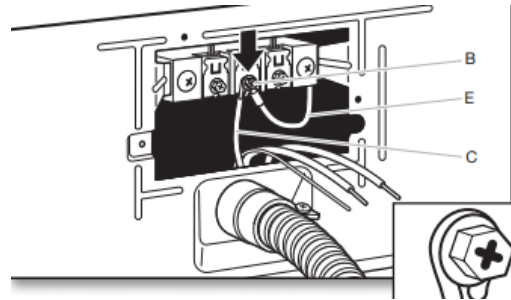
Strip 5" (127 mm) of outer covering from end of cable, leaving bare ground wire at 5" (127 mm). Cut 1 1/2" (38 mm) from remaining 3 wires. Strip insulation back 1" (25 mm). Shape ends of wires into hooks.

4. Prepare to connect neutral bond wire and neutral wire



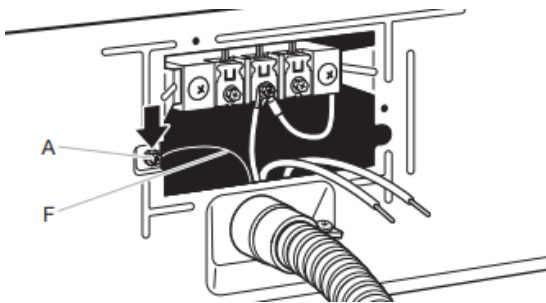
Remove center terminal block screw (B). Remove neutral bond wire (E) from green external bond conductor screw (A).

5. Connect neutral bond wire and neutral wire



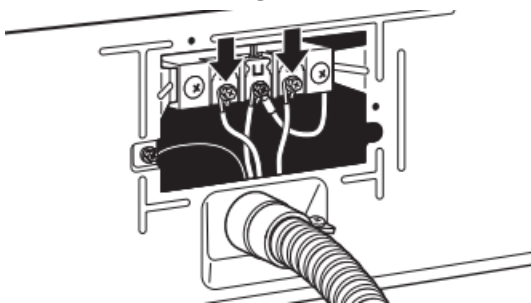
Connect neutral bond wire (E) and place hooked end (hook facing right) of neutral wire (white or center wire) (C) of direct wire cable under center screw of terminal block (B). Squeeze hooked ends together and tighten screw.

6. Connect ground wire



Connect ground wire (green or bare) (F) of direct wire cable under green external ground conductor screw (A). Tighten screw.

7. Connect remaining wires

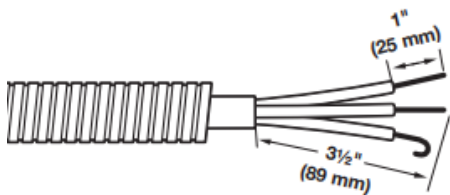


Place hooked ends of remaining direct wire cable wires under outer terminal block screws (hooks facing right). Squeeze hooked ends together and tighten screws. Insert tab of terminal block cover into slot of dryer rear panel. Secure cover with hold-down screw. Now, go to "Venting Requirements."

3-Wire Direct Wire Connection

IMPORTANT: Use where local codes permit connecting cabinet-ground conductor to neutral wire.

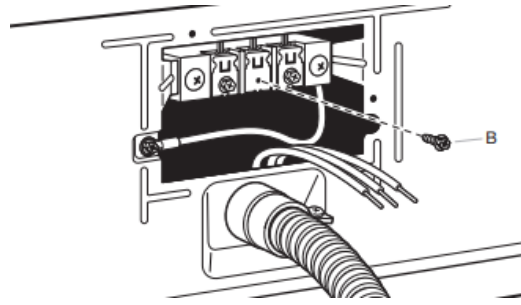
3. Prepare your 3-wire cable for direct connection



Direct wire cable must have 5 ft (1.52 m) of extra length so dryer may be moved if needed.

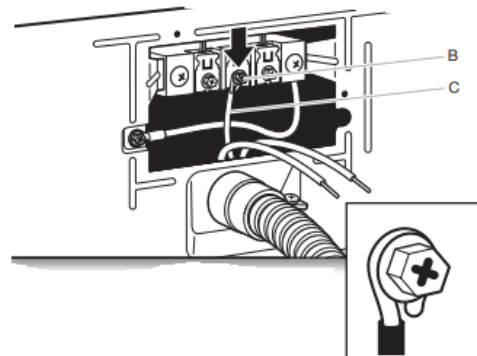
Strip 3 1/2" (89 mm) of outer covering from end of cable. Strip insulation back 1" (25 mm). If using 3-wire cable with ground wire, cut bare wire even with outer covering. Shape wire ends into hooks.

4. Remove center screw



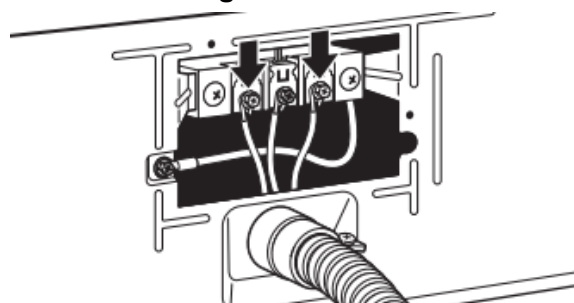
Remove center terminal block screw (B).

5. Connect neutral wire



Place hooked end of neutral wire (white or center) (C) of direct wire cable under center terminal block screw (B). Squeeze hooked end together. Tighten screw.

6. Connect remaining wires

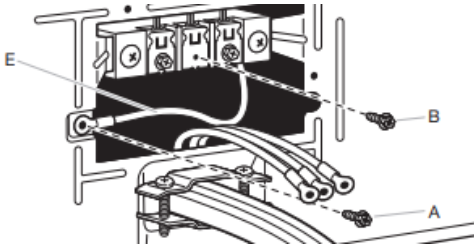


Place hooked ends of remaining direct wire cable wires under outer terminal block screws (hooks facing right). Squeeze hooked ends together and tighten screws. Insert tab of terminal block cover into slot of dryer rear panel. Secure cover with hold-down screw. Now, go to "Venting Requirements."

Optional 3-Wire Connection (Power Supply Cord Shown)

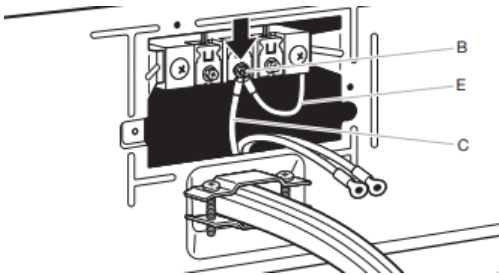
IMPORTANT: You must verify with a qualified electrician that this grounding method is acceptable before connecting.

1. Prepare to connect neutral bond wire and neutral wire



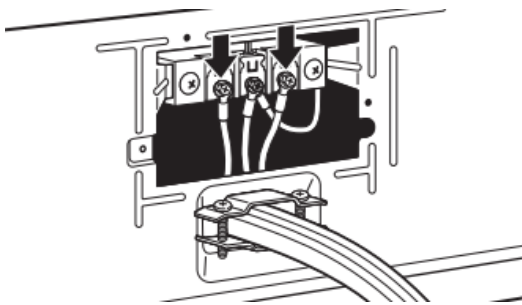
Install the correct strain relief for your electrical connection method. Remove center terminal block screw (B). Remove neutral bond wire (E) from green external ground conductor screw (A).

2. Connect neutral bond wire and neutral wire



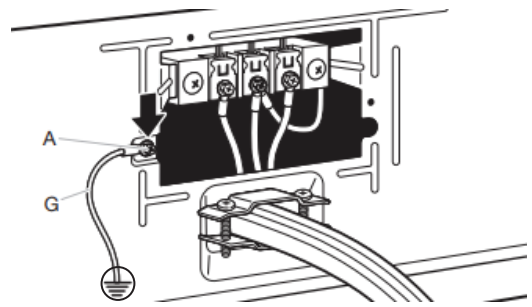
Connect neutral bond wire (E) and neutral wire (white or center wire) (C) of power supply cord or cable under center terminal block screw (B). Tighten screw.

3. Connect remaining wires



Place remaining wires under outer terminal block screws. Tighten screws.

4. Connect external ground wire

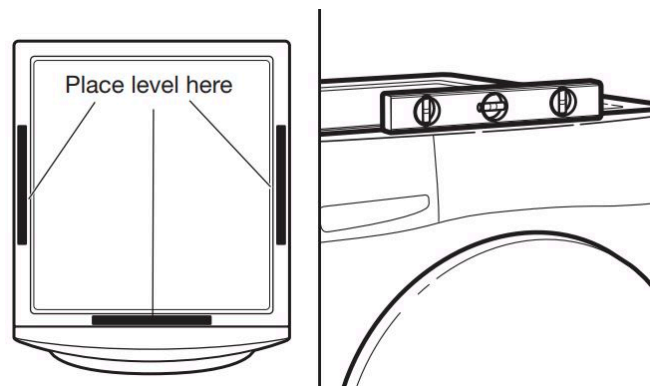


Connect a separate copper ground wire (G) from the green external ground conductor screw (A) to an adequate ground. Insert tab of terminal block cover into slot of dryer rear panel. Secure cover with hold-down screw. Now, go to "Venting Requirements."

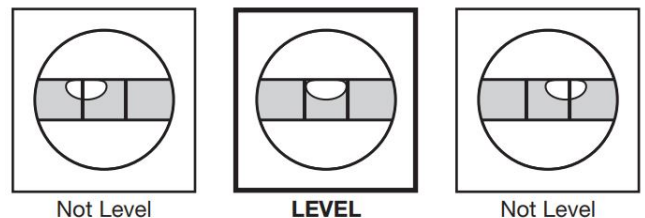
Level the Stacked Laundry Center

IMPORTANT: Leveling your stacked laundry center properly reduces excess noise and vibration.

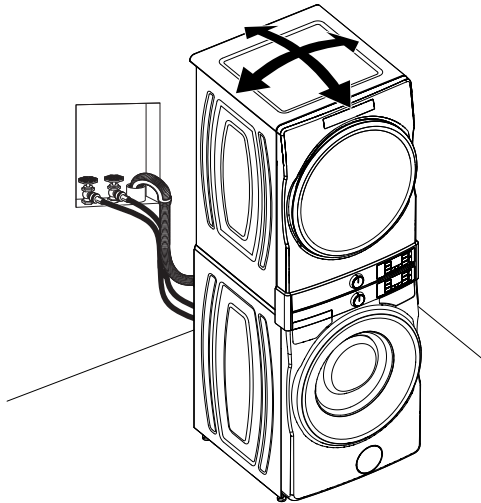
13. Check levelness of the stacked laundry center



Remove cardboard from beneath the stacked laundry center. Place a level on top edges of the stacked laundry center, checking each side and front. If not level, tip the stacked laundry center and adjust feet up or down as shown in steps 15 and 16, repeating as necessary.

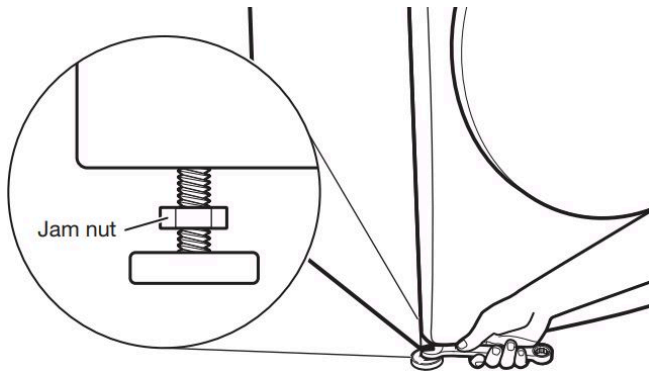


14. Rock the stacked laundry center to test foot contact



Grip the stacked laundry center from top and rock back and forth, making sure all four feet are firmly on floor. Repeat, rocking the stacked laundry center from side to side. If the stacked laundry center rocks, go to step 15 and adjust leveling feet. If all four feet are in firm contact with floor, go to step 16.

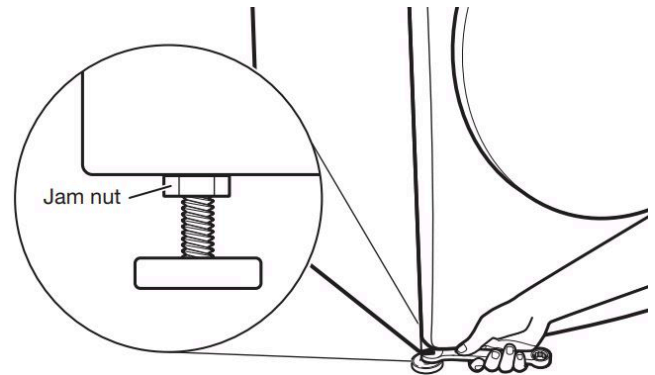
15. Adjust leveling feet



If the stacked laundry center is not level, use a 9/16" (14.3 mm) open-end or adjustable wrench to turn jam nuts clockwise on feet until they are about 1/2" (13 mm) from the washer cabinet. Then turn the leveling foot clockwise to lower the stacked laundry center or counterclockwise to raise the stacked laundry center. Do not exceed 2" (50 mm) from bottom of foot to bottom of cabinet. Recheck levelness of the stacked laundry center and that all four feet are firmly in contact with the floor. Repeat as needed.

HELPFUL TIP: You may want to prop up front of the stacked laundry center about 4" (102 mm) with a wood block or similar object that will support weight of the stacked laundry center.

16. Tighten leveling feet



When the stacked laundry center is level and all four feet are firmly in contact with the floor, use a 9/16" (14.3 mm) open-end or adjustable wrench to turn jam nuts counterclockwise on leveling feet tightly against washer cabinet.

HELPFUL TIP: You may want to prop the stacked laundry center again with a wooden block.

⚠ WARNING



Electrical Shock Hazard

Plug into a grounded 3 prong outlet.

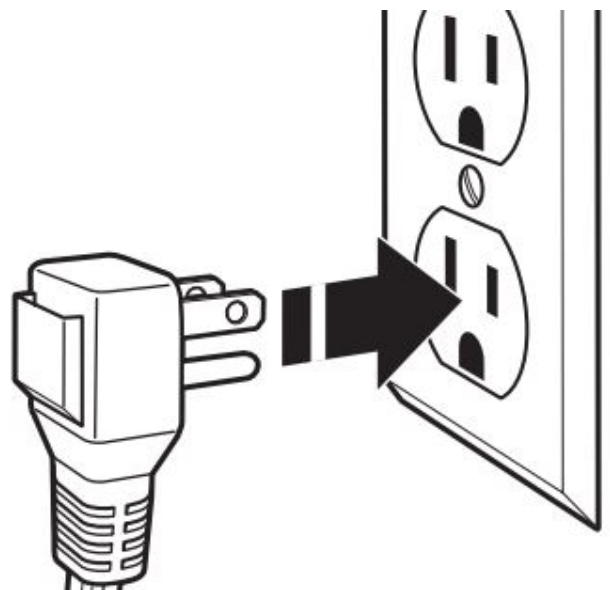
Do not remove ground prong.

Do not use an adapter.

Do not use an extension cord.

Failure to follow these instructions can result in death, fire, or electrical shock.

17. Plug into a grounded 3 prong outlet



Complete Installation Checklist

- Check electrical requirements. Be sure you have correct electrical supply and recommended grounding method.
- Check that all parts are now installed. If there is an extra part, go back through steps to see what was skipped.
- Check that you have all of your tools.
- Check that shipping materials were completely removed from washer.
- Check that the stacked laundry center is level.
- Check that water faucets are on.
- Check for leaks around faucets and inlet hoses.
- Check the stacked laundry center's final location. Be sure dryer vent is not crushed or kinked.
- Remove protective film from consoles and any tape remaining on the stacked laundry center.
- Check that the stacked laundry center is plugged into a grounded 3-prong outlet.
- Dispose of/recycle all packaging materials.
- Read the "the stacked laundry center Maintenance and Care" section.
- Wipe dryer drum interior thoroughly with a damp cloth to remove any dust.
- To change the door swing from a right-side opening to a left-side opening, see online Product Guide for details.
- To test and clean your washer, press Power and choose the Quick cycle and run it without clothes. Use only HE detergent. Use 1/2 the manufacturer's recommended amount for a medium-size load.

- To test the dryer, Set the heat cycle for 20 minutes, and start dryer. Do not select Air Only temperature setting.

If the dryer will not start, check the following:

- Controls are set in a running or "On" position.
- Start button has been pushed firmly.
- Dryer is plugged into an outlet and/or electrical supply.
- Household fuse is intact and tight, or circuit breaker has not tripped.
- Dryer door is closed.
- When the dryer has been running for 5 minutes, open the dryer door and feel for heat. If you feel heat, cancel cycle and close the door.

If you do not feel heat, turn off dryer, and check the following:

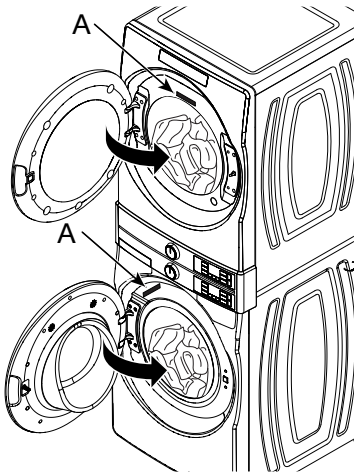
- There may be 2 household fuses or circuit breakers for the dryer. Check that both fuses are intact and tight, or that both circuit breakers have not tripped. If there is still no heat, contact a qualified technician.

NOTE: You may notice an odor when dryer is first heated. This odor is common when heating element is first used. The odor will go away.

If your Airflow screen reads "Check Vent," your dryer vent may be crushed or blocked.

WASHER QUICK START GUIDE

PRODUCT REGISTRATION & OWNER INFORMATION



A. Find your serial tag on your product, as shown in the diagram.

YOUR QR CODE UNLOCKS... product registration and warranty information, installation instructions, product guide, cycle guide, how-to videos, and additional accessories to get the most out of your product. If you purchased a smart appliance, your QR code will provide instructions on how to download the app and connect. You can access the full Installation, User Maintenance and Operating Instructions, Warranty details, and more by visiting our website at www.whirlpool.com/owners or www.whirlpool.ca/owners. This may save you the cost of a service call. To receive a free printed copy of the information online, call us at **1-866-698-2538** (U.S.A.)/**1-800-807-6777** (Canada) or write to us at:

Whirlpool Brand Appliances
Customer eXperience Center
PO Box #8
St. Joseph, MI 49085

Whirlpool Brand Appliances
Customer eXperience Center Unit
200-6750 Century Ave.
Mississauga, Ontario L5N 0B7

Register to access warranty information and receive important notifications related to your product. Scan the Photo Registration Card or QR code to register your product.

WARNING: To reduce the risk of fire, electric shock, or injury to persons, read the IMPORTANT SAFETY INSTRUCTIONS before operating this appliance.

Appliance Troubleshooting & Support:

In the rare event you require service, parts, accessories, or you are interested in an extended service plan, Whirlpool offers a variety of options to ensure your peace of mind. For more info and to see a library of appliance troubleshooting resources, visit www.whirlpool.com/owners.

Maintenance & Cleaning:

Your appliances are an important purchase. Keep them working as hard as you do with your machine's "Clean with affresh®" cycle and [affresh® Washing Machine Cleaner Tablets](#), designed to deep clean and remove odor-causing residues and grime daily loads leave behind.

OPERATING INSTRUCTIONS

⚠ WARNING



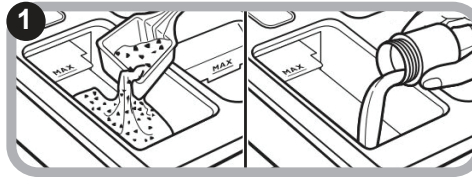
Fire Hazard

Never place items in the washer that are dampened with gasoline or other flammable fluids.

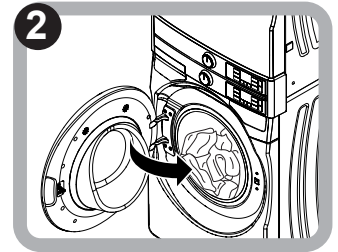
No washer can completely remove oil.

Do not dry anything that has ever had any type of oil on it (including cooking oils).

Doing so can result in death, explosion, or fire.



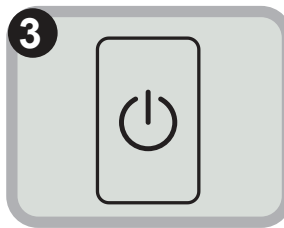
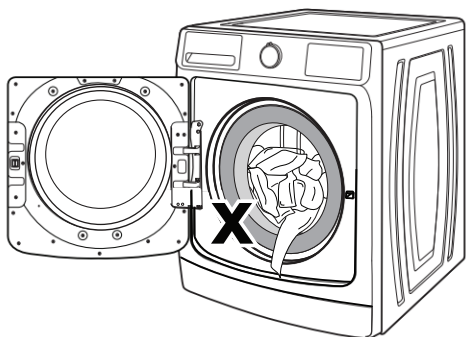
1 Add HE detergent, softener, and bleach into the labeled dispensers.



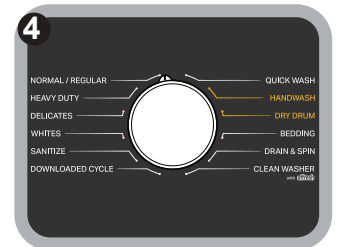
2 Load Laundry, then close the door.

NOTE: Before washing clothes for the first time, add HE detergent to the dispenser then run a Quick Wash cycle without clothes.

HOW TO LOAD



3 LCD: Press (Power).



4 Select Cycle and Adjust Options.



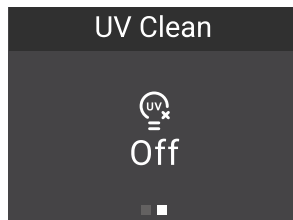
5 LCD: Press (Start/ Pause)

NOTE: Handwash is a deep water, customizable soak cycle that helps remove stains. Select desired soak temperature, time (soil level selection) and spin speed. Spin Speed Off performs Soak and Drain.

UV CLEAN



On



Off

This option uses UV-C light to treat the water before it enters the drum, helping reduce odor-causing bacteria inside the washer. You can activate it so it will run automatically after the selected knob cycle; no heat or harsh chemicals needed.

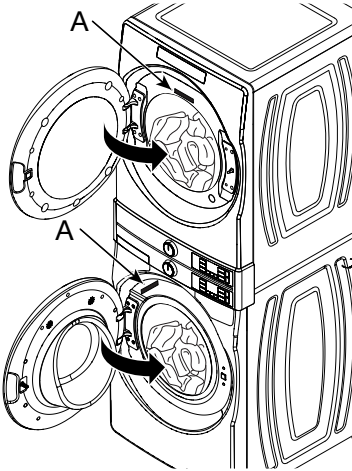
CONNECT YOUR SMART APPLIANCE

GET THE WHIRLPOOL® APP to stay in control and efficiency manage from laundry from anywhere.* Stay on top of laundry with end of cycle notifications on your smart device to ensure finished loads aren't left behind. Get step-by-step pretreating instructions in the Stain Guide to take on everyday tough stains and maximize the power of your Whirlpool™ appliances.

*Appliance must be set to remote enable/start. WiFi & App Required. Features subject to change. Once installed, launch the app and you will be guided through the steps to create your user account to connect to your appliance. You can get connectivity instructions, terms of use, and privacy policy information at www.whirlpool.com/connect or in Canada at www.whirlpool.ca/connect. If you have any problems or questions, call Whirlpool® Connected Appliances at 1-866-698-2538.

DRYER QUICK START GUIDE

PRODUCT REGISTRATION & OWNER INFORMATION



A. Find your serial tag on your product, as shown in the diagram.

YOUR QR CODE UNLOCKS... product registration and warranty information, installation instructions, product guide, cycle guide, how-to videos, and additional accessories to get the most out of your product. If you purchased a smart appliance, your QR code will provide instructions on how to download the app and connect.

You can access the full Installation, User Maintenance and Operating Instructions, Warranty details, and more by visiting our website at www.whirlpool.com/owners or www.whirlpool.ca/owners. This may save you the cost of a service call. To receive a free printed copy of the information online, call us at **1-866-698-2538** (U.S.A.) / **1-800-807-6777** (Canada) or write to us at:

Whirlpool Brand Appliances
Customer eXperience Center
PO Box #8
St. Joseph, MI 49085

Whirlpool Brand Appliances
Customer eXperience Center Unit
200-6750 Century Ave.
Mississauga, Ontario L5N 0B7

Register to access warranty information and receive important notifications related to your product. Scan the Photo Registration Card or QR code to register your product.

IMPORTANT: To reduce the risk of fire, electric shock, or injury to person, read the Important Safety Instructions located in the Safety and Installation Instructions provided before installing or operating this appliance.

Appliance Troubleshooting & Support:

In the rare event you require service, parts, accessories, or you are interested in an extended service plan, Whirlpool® offers a variety of options to ensure your peace of mind. For more info and to see a library of appliance troubleshooting resources, visit www.whirlpool.com/owners.

Maintenance & Cleaning:

Your appliances are an important purchase. Keep them working as hard as you do with your machine's "Clean with affresh®" cycle and [affresh® Washing Machine Cleaner Tablets](#), designed to deep clean and remove odor-causing residues and grime daily loads leave behind.

OPERATING INSTRUCTIONS

⚠ WARNING



Fire Hazard

No washer can completely remove oil.

Do not dry anything that has ever had any type of oil on it (including cooking oils).

Items containing foam, rubber, or plastic must be dried on a clothesline or by using an Air Cycle.

Failure to follow these instructions can result in death or fire.

⚠ WARNING



Explosion Hazard

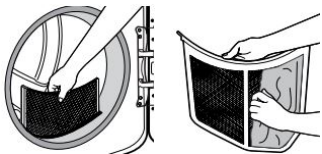
Keep flammable materials and vapors, such as gasoline, away from dryer.

Do not dry anything that has ever had anything flammable on it (even after washing).

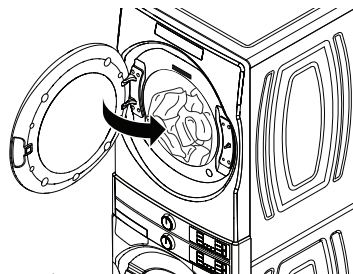
Failure to follow these instructions can result in death, explosion, or fire.

WARNING: To reduce the risk of fire, electric shock, or injury to persons, read the IMPORTANT SAFETY INSTRUCTIONS, located in your appliance's Owner's Manual, before operating this appliance.

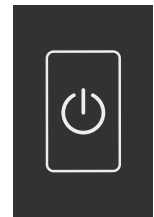
Step 1. Clean Lint Screen



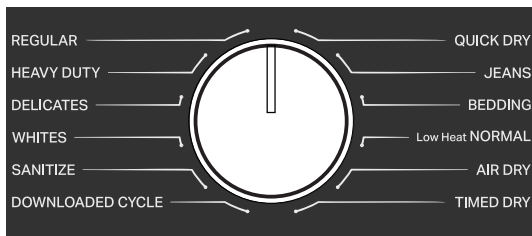
Step 2. Load Clothes



Step 3. Press Power Button



Step 4. Select Desired Cycle. Adjust cycle settings and options if desired.



Step 5. Press, hold and release Start Button



CONNECT YOUR SMART APPLIANCE

GET THE WHIRLPOOL™ APP to stay in control and efficiency manage from laundry from anywhere.* Stay on top of laundry with end of cycle notifications on your smart device to ensure finished loads aren't left behind. Get step-by-step pretreating instructions in the Stain Guide to take on everyday tough stains and maximize the power of your Whirlpool™ appliances.

*Appliance must be set to remote enable/start. WiFi & App Required. Features subject to change. Once installed, launch the app and you will be guided through the steps to create your user account to connect to your appliance. You can get connectivity instructions, terms of use, and privacy policy information at www.whirlpool.com/connect or in Canada at www.whirlpool.ca/connect. If you have any problems or questions, call Whirlpool® Connected Appliances at 1-866-698-2538.

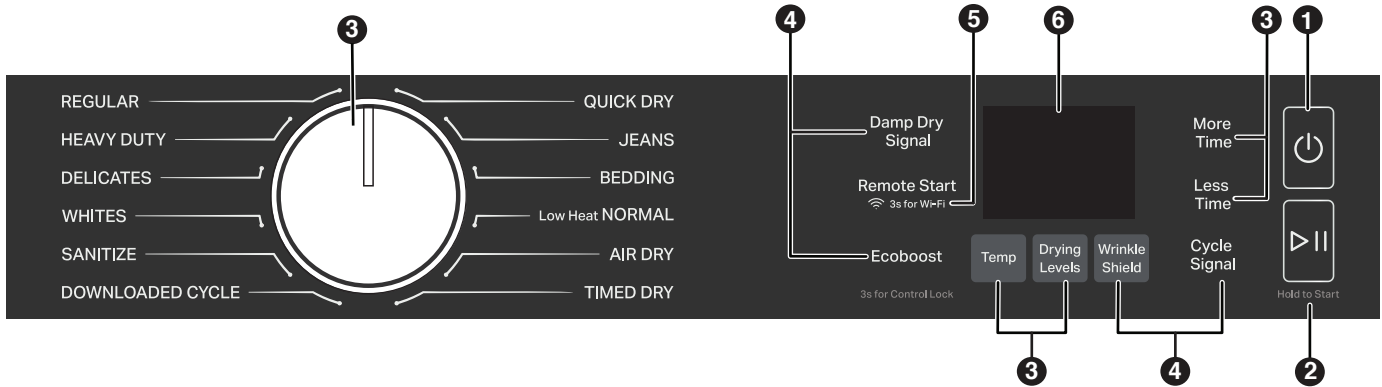
STACKED LAUNDRY CENTRE CYCLE GUIDE

CONNECT YOUR SMART APPLIANCE

GET THE WHIRLPOOL® APP to stay in control and efficiency manage from laundry from anywhere.* Stay on top of laundry with end of cycle notifications on your smart device to ensure finished loads aren't left behind. Get step-by-step pretreating instructions in the Stain Guide to take on everyday tough stains and maximize the power of your Whirlpool™ appliances.

*Appliance must be set to remote enable/start. WiFi & App Required. Features subject to change. Once installed, launch the app and you will be guided through the steps to create your user account to connect to your appliance. You can get connectivity instructions, terms of use, and privacy policy information at www.whirlpool.com/connect or in Canada at www.whirlpool.ca/connect. If you have any problems or questions, call Whirlpool® Connected Appliances at 1-866-698-2538. Your Tower includes two connected appliances, the washer and the dryer. Each must be connected to Wi-Fi separately within the Whirlpool® App. Follow the guided steps in the app to complete setup for both sections.

DRYER CONTROL PANEL AND FEATURES



Button Descriptions

1. POWER/CANCEL

Touch to turn the dryer on and off. Touch to stop/cancel a cycle at any time.

2. START/PAUSE

Touch and hold until LCD counts down "3-2-1" and the dryer starts; then let go to start a cycle, or touch once while a cycle is in process to pause it.

3. MODIFIERS

Use to select available modifiers for your dryer. Not all cycles and options are available on all models. See the online "Cycle Guide" for details.

Temp

When using Timed Dry/Quick Cycle, you may select a dry temperature based on the type of load you are drying. Use the warmest setting that is acceptable for the garments in the load. Follow garment label instructions.

NOTE: Automatic Cycles will give you up to 4 temperatures to adjust, depending on the selections that have been made.

Drying Levels

You may adjust the Dryness on Automatic Cycles (except for the Sanitize cycle), if desired.

NOTE: Dryness is for use with Automatic Cycles only.

More Time/Less Time

Touch More Time or Less Time with Timed Dry/Quick Dry Cycles to increase or decrease the length of the cycle.

4. OPTIONS

Use to select available options for your dryer. Not all cycles and options are available on all models.

Wrinkle Shield™ Option

If you will be unable to remove a load immediately, touch Wrinkle Shield™ to add up to 150 minutes of periodic tumbling to help reduce wrinkling.

NOTE: If you open the dryer door prior to the end of the Wrinkle Shield™ option, the dryer will pause.

Cycle Signal

Use this to turn the signal indicating the end of a drying cycle to low, medium, high, or off. The volume you select here will also be applied to the Damp Dry Signal.

NOTE: You may also turn off the tones that sound when a feature, setting, or option is touched. Touch and hold Cycle Signal for about 3 seconds to turn sounds to low, medium, high, or off.

Damp Dry Signal

Touch to select the Damp Dry Signal on or off. When selected, a series of beeps will sound when the load is damp, but not completely dry. This will allow you to take clothes out of the load that do not need to dry completely. The Damp Dry Signal is selected as a default for the Bulky Items cycles, as a reminder to manually reposition bulky loads midway through the cycle. This option is not available for all cycles. See the online "Cycle Guide" for details.

Control Lock

Use this option to lock the controls of the dryer and avoid an accidental unintended change in cycle options or preferences during a drying cycle. Touch and hold Control Lock or Damp Dry Signal (depending on the model) for 3 seconds to lock or unlock the controls of the dryer. During this time, the LCD Display will count down "3-2-1." Once the controls are locked, the LCD Display will display "Loc."

NOTE: The Control Lock function may be enabled when recovering from a power failure. To unlock the control, touch and hold Control Lock or Damp Dry Signal (depending on the model) for at least 3 seconds.

EcoBoost™ Option

The EcoBoost™ option will default on only for the Regular/Normal cycle and is only available on that cycle. This option allows you to increase your energy savings by using a slightly lower heat level. The EcoBoost™ option will increase drying times by approximately 40 minutes, which will be reflected on the LCD display. If optimal time is desired, touch ECOBOOST to turn off this option.

5. Remote Start 3 sec for WI-FI

You can control this smart dryer remotely to manage laundry day from your smartphone. Access Favorite Cycles from the Whirlpool® app to send laundry cycles to your dryer and start the load remotely.

6. LCD DISPLAY

When you select a cycle, its default settings will light up and the estimated time remaining (for Automatic Cycles) will vary depending on selections or actual time remaining for Timed Dry cycles (for Manual Cycles) will be displayed.

DRYER CYCLE GUIDE

Settings and options shown in bold are default settings for that cycle. For best fabric care, choose the cycle, options, and settings that best fit the load being dried. Modifiers are preset for the items being dried, but can be changed if desired.

To get the most energy savings and enhanced fabric care from your dryer, use the Automatic cycles. These cycles measure the drying air temperature and moisture levels to turn the dryer off once the load reaches the selected dryness level. Dryer performance and results may vary with service voltage less than 240.

Cycle	Items to Dry	Dryness Level	Drying Temperature	Available Options	Cycle Details
Regular	Shirts, blouses, permanent press, synthetics, lightweight items	Less Normal More	Low Medium High	Wrinkle Shield Damp Dry Signal	Uses Medium heat to dry large loads of mixed fabrics and items. Normal is the most efficient cycle.
Heavy Duty/ Towels	Heavyweight items such as towels or heavy work clothes	Less Normal More	Low Medium High	Wrinkle Shield Damp Dry Signal	Uses high heat to dry large loads of heavy weight, sturdy items.
Delicates	Undergarments, blouses, lingerie, performance wear	Less Normal More	Low Medium High	Wrinkle Shield Damp Dry Signal	Uses low heat to gently dry delicate items.
Whites	White, sturdy items	Less Normal More	Low Medium High	Wrinkle Shield Damp Dry Signal	Uses High heat to dry large loads of white, sturdy fabrics and items.
Sanitize	Large loads of heavyweight items	More	High	Wrinkle Shield	This is a long cycle with High heat which has been proven to reduce household bacteria. This cycle is not recommended for all fabrics. Use for large loads of heavyweight fabrics.
Downloaded Cycle	Downloaded Cycle	NA	NA	NA	Create customized cycles in just a few steps from the App.
Quick Dry	Small loads and sportswear	NA	Low Medium High	Wrinkle Shield	For small loads of 3-4 items.
Jeans	Jeans and denim	Less Normal More	Low Medium High	Wrinkle Shield Damp Dry Signal	Uses High heat to dry large loads of Jeans and other sturdy fabrics.

Check Vent

The Check Vent indicator is a feature available for Automatic Cycles only. This indicator will show the status of airflow through the dryer and the dryer vent system for the dryer's life. During the sensing phase at the beginning of the cycle, the Check Vent light will come on if a blocked vent or low airflow issue is detected. This light will stay on for the entire cycle. Should the Check Vent light illuminate, refer to the online "Troubleshooting" section for potential solutions to the issue.

The light will be cleared upon completion of the cycle, touching Power, or opening the door. The Check Vent light will continue to illuminate during the cycle unless the root cause is resolved.

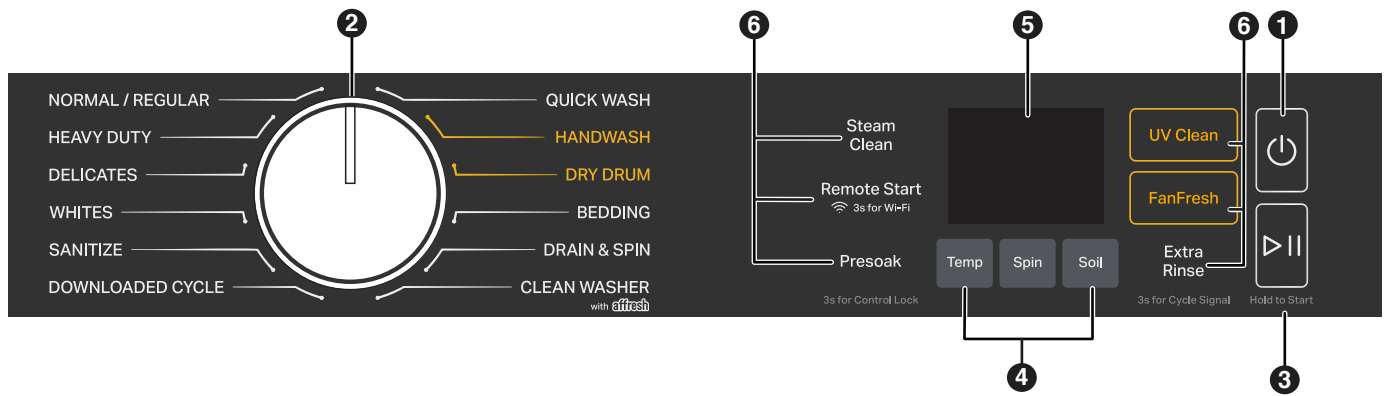
NOTE: The dryer will continue to operate even while the indicator is lit, but poor airflow can impact dry times and overall performance. See "Check Your Vent System for Good Airflow" in the Owner's Manual.

NOTE: If there are other error issues during a cycle, the Check Vent indicator will not light up. See the online "Troubleshooting" section.

Cycle	Items to Dry	Dryness Level	Drying Temperature	Available Options	Cycle Details
Bedding	Sheets, pillowcases, blankets	Less Normal More	Low Medium High	Wrinkle Shield Damp Dry Signal	Dries using Medium heat.
Low Heat Normal	Sheets, blouses, dresses, underwear, permanent press fabrics and some knits	Less Normal More	Low Medium High	Wrinkle Shield Damp Dry Signal EcoBoost	Uses a lower heat to dry heat sensitive fabrics.
No Heat Air Dry	Foam, rubber, plastic, other heat sensitive fabrics	NA	NA	Wrinkle Shield	Uses unheated air to dry heat sensitive items
Timed Dry	Any load Note: Select Air to dry foam, rubber, plastic or heat sensitive fabrics.	NA	Low Medium High	Wrinkle Shield	Use to dry items to a damp level for items that do not require an entire drying cycle. Select a drying temperature based on the type of fabrics in your load. if you are unsure of the temperature to select for a load, select the lower setting rather than the higher setting.

NOTE: These clothes dryer's Government energy certifications were based on the Low Heat Normal Cycle, EcoBoost Defaulted ON, Highest Temperature and Normal Dryness Level. The as-shipped defaults of Low Heat Normal, EcoBoost ON, Medium Temperature and Wrinkle Shield Off were used. Cycles that are available for post-sale download may use more energy than the Low Heat Normal cycle, upon which the energy use rating of this dryer is based upon.

WASHER CONTROL PANEL AND FEATURES



Designed to use only HE High Efficiency detergents.

NOTE: Before washing clothes for the first time, add liquid or powdered HE detergent to the detergent dispenser. Choose the Quick Wash cycle and run it without clothes. Use only HE detergent. This initial cycle serves to ensure the interior is clean and the dispenser drawer is ready for use before washing clothes.

Button Descriptions

1. POWER

Touch to turn the washer on and off. Touch again to cancel a cycle at any time.

NOTE: Turning the Wash Cycle knob will also turn the washer on.

2. WASH CYCLE KNOB

Turn the knob to select a cycle for your laundry load. Custom Cycles available in the Whirlpool App include Wrinkle Control, Active Wear, Jeans, Towels and Swimwear. Download the Whirlpool App to use these custom cycles.

NOTE: Handwash is a deep water, customizable soak cycle that helps remove stains. Select desired soak temperature, time (soil level selection) and spin speed. Spin Speed Off performs Soak and Drain.

See "Cycle Guide" for detailed descriptions of cycles.

3. START/PAUSE

Touch and hold for 1 second to start a cycle or touch once while a cycle is in process to pause it. If you want to add a garment, you can touch Start/pause when the "Add Garment" message is on-screen. Touch again to continue cycle.

4. LCD DISPLAY AND SETTINGS

When you select a cycle, its default settings will light up and the Estimated Time Remaining will be displayed. Factors such as load size, wash temperature, and water pressure may affect the time shown in the display. Tightly packing, unbalanced loads, or excessive suds may cause the washer to lengthen the cycle time as well. Touch the desired setting on the display to adjust. See "Cycle Guide" for available settings on each cycle.

NOTE: A Clean Washer message will appear on the control screen when the washer has run 30 cycles as a reminder to run the cycle.

Spin

This washer automatically selects the spin speed based on the cycle selected. Some preset speeds can be changed.

- Faster spin speeds mean shorter dry times, but may increase wrinkling in your load.
- Slower spin speeds reduce wrinkling, but will leave your load more damp.

Temp

The recommended wash temperature is preset for each cycle. Some preset temperatures can be changed. You may select a different wash temperature based on the level of soil and type of fabric being washed. For best results, use the warmest wash water safe for your fabric, following the garment label instructions. All wash temperatures feature a cold rinse.

Soil

Soil Level (wash time) is preset for each wash cycle. When you change the soil setting, the cycle time will increase or decrease in the Estimated Cycle Time display. For most loads, use the soil level that is preset with the cycle you have chosen. For heavily soiled and sturdy fabrics, use the Soil Level setting to select a higher soil level. For lightly soiled and delicate fabrics, use the Soil Level setting to select a lower soil level. Lower soil level settings will help reduce tangling and wrinkling.

5. CYCLE STATUS

The LCD screen will display the estimated time remaining for the selected cycle settings along with other useful information.

6. OPTIONS

Touch to activate additional wash options or additional features on the washer. Not all options are available on all models.

Remote Start 3 Sec for WI-FI

Touch each time you want to remotely control via the Whirlpool® app. Follow the instructions in the “GET THE WHIRLPOOL® APP AND GET CONNECTED”.

PreSoak

The PreSoak option lets you skip soaking outside of the washer. Extra time is added in the washer before the wash cycle will start automatically.

Control Lock

Touch and hold for 3 seconds to lock the controls to avoid unwanted changes or operation. Touch and hold 3 seconds again to unlock. For each second Control Lock is held down, the display will count down 1 second; you will see “3,” then “2,” then “1.” You may still touch Power to turn off the washer.

Steam (available on some models)

The Steam option adds additional soak and wash time to many cycles to help remove tough stains as well as a steam boost for added cleaning power. An integrated heater helps to maintain optimal wash temperatures.

Extra Rinse

Activate this option to add an extra rinse to most cycles. You can also touch and hold Extra Rinse for 3 seconds to disable/enable the Control Lock.

NOTE: Select Extra Rinse with Drain & Spin for a Rinse and Spin option.

UV Clean

This option uses UV-C technology to help reduce odor-causing bacteria inside the washer during the wash cycle. You can activate it so it runs automatically after the selected knob cycle — no heat or harsh chemicals needed. Designed with fabric care in mind, this option helps maintain washer freshness over time.

WASHER CYCLE GUIDE

Settings and options shown in **bold** are default settings for that wash cycle. For best fabric care, choose the cycle, options, and settings that best fit the load being washed. Always read and follow fabric care labels and laundry product instructions. Avoid tightly packing the washer. The washer will not rinse well or spin correctly if tightly packed. Not all settings are available with each cycle, and some options cannot be used together. Not all options are available on all models.

WARNING: To reduce the risk of fire, electric shock, or injury to persons, read the IMPORTANT SAFETY INSTRUCTIONS, located in your appliance’s Owner’s Manual, before operating this appliance.

Cycle	Items to Wash	Soil Level	Wash Temp	Spin Speed	Wash Options	Description
Normal/ Regular	Normally soiled cottons, linens, sheets, and mixed-garment loads	Extra Heavy Heavy Normal Light	Extra Hot Hot Warm Cool Cold	Fast Medium Off	Extra Rinse: On or Off PreSoak: On or Off FanFresh: On or Off Steam Clean: On or Off UV Clean: On or Off	This cycle combines medium-speed tumbling and an extra-high-speed spin. This cycle is designed to provide the most energy efficiency.
Heavy Duty	Sturdy colorfast fabrics and heavily soiled garments	Extra Heavy Heavy Normal Light	Extra Hot Hot Warm Cool Cold	Fast Medium Slow Off	Extra Rinse: On or Off PreSoak: On or Off FanFresh: On or Off Steam Clean: On or Off UV Clean: On or Off	This cycle uses fast-speed tumbling and warmer water temperatures to help provide optimal cleaning.

When UV Clean is active, a blue light will appear inside the drum. The blue light indicates that the UV Clean cycle is running; it does not represent the actual UV light emission. The UV process occurs safely within the washer’s internal system and is not visible to the user. The indicator light turns on at the start of the cycle and may temporarily turn off during certain phases or options. This is normal system behavior.

This Option is not available for Delicates or Quick Wash cycles.

FanFresh®

The FanFresh® option will periodically tumble the load after the end of the cycle for up to 12 hours while the integrated fan circulates air through the washer to reduce humidity. To turn on the FanFresh® option, touch FanFresh. If, however, the FanFresh® option is turned on, it will stay on for all future cycles until turned back off — the washer remembers the last on/off status set. To turn off the FanFresh® option, touch FanFresh.

To turn off the FanFresh® option when it is running, touch Power.

Cycle Signal

Touch and hold Cycle Signal for about 3 seconds. The display will count down. You will see “3,” then “2,” then “1.” The display will start displaying the sound levels. You will see “1,” then “2,” then “3,” then “Off.” When the Cycle Signal is released, the last value shown will be the current selection.

FACTORY RESET

Press/hold both Temp and Soil keys until display count-down has completed. Unit will power back on with “Select Language” display message.

Cycle	Items to Wash	Soil Level	Wash Temp	Spin Speed	Wash Options	Description
Delicates	Sheer fabrics, lingerie, sweaters, and lightly soiled dress clothes	Extra Heavy Heavy Normal Light	Hot Warm Cool Cold	Fast Medium Slow Off	Extra Rinse: On or Off PreSoak: On or Off FanFresh: On or Off Steam Clean: On or Off	This cycle combines cooler water temperatures and slow-speed tumbling for gentle fabric care.
Handwash	Lightly to heavily soiled garments that benefit from pre-treating before a full wash.	Extra Heavy Heavy Normal Light	Extra Hot Hot Warm Cool Cold	Fast Medium Slow Off	Extra Rinse: On or Off PreSoak: On or Off FanFresh: On or Off Steam Clean: On or Off UV Clean: On or Off	Gently loosen soils in delicate items that need a little extra care with the Handwash Cycle. Choose your preferred water temperature and soil level to soak away stains while helping maintain the shape and size of your fabrics.
Whites	Soiled white fabrics and garments	Extra Heavy Heavy Normal Light	Extra Hot Hot Warm Cool Cold	Fast Medium Slow Off	Extra Rinse: On or Off PreSoak: On or Off FanFresh: On or Off Steam Clean: On or Off UV Clean: On or Off	This cycle uses a longer wash time with fast-speed tumbling to clean white garments.
Sanitize	Clothing, bedding, and towels requiring sanitization	Extra Heavy Heavy Normal Light	Extra Hot	Fast Medium	Extra Rinse: On or Off PreSoak: On or Off FanFresh: On or Off Steam Clean: On or Off UV Clean: On or Off	The Sanitize cycle uses increased water temperature to eliminate 99.9% of common household bacteria. Check recommended wash temperature of your items. NOTE: Bacteria tested were K. pneumoniae, P. aeruginosa, S. aureus.
Downloaded Cycle	Downloaded Cycle	NA	NA	NA	NA	Create customized cycles in just a few steps from the App.
Quick Wash	Lightly soiled garments	Extra Heavy Heavy Normal Light	Extra Hot Hot Warm Cool Cold	Fast Medium Slow Off	Extra Rinse: On or Off PreSoak: On or Off FanFresh: On or Off Steam Clean: On or Off	This cycle uses moderate tumbling and warm wash temperatures to wash even a full-sized 10 lb (0.45 kg) load in just 25 minutes.
Bedding	Large items such as sleeping bags, small comforters, and jackets	Extra Heavy Heavy Normal Light	Extra Hot Hot Warm Cool Cold	Fast Medium Slow Off	Extra Rinse: On or Off PreSoak: On or Off FanFresh: On or Off Steam Clean: On or Off UV Clean: On or Off	This cycle uses a specific tumbling pattern, warm water and medium spin speed to accommodate bulky items. NOTE: Do not tightly pack the basket.

Cycle	Items to Wash	Soil Level	Wash Temp	Spin Speed	Wash Options	Description
Drain & Spin	Wet loads	NA	NA	Fast Medium Slow Off	Extra Rinse: On or Off FanFresh: On or Off	This cycle removes excess water from the load. NOTE If you select no spin, the machine will perform a drain only.
Dry Drum	No Clothes in washer	NA	NA	NA	NA	A built-in fan reduces excess moisture helping prevent common causes of front load odor. So you can keep the door closed knowing your machine is still drying out while running the cycle.
Clean Washer with affresh®	No clothes in washer	NA	NA	NA	FanFresh: On or Off	Use this cycle every 30 washes to keep the inside of your washer fresh and clean. This cycle uses a higher water level. Use with affresh® Washer Cleaner tablet or liquid chlorine bleach to thoroughly clean the inside of your washer. This cycle should not be interrupted. See "Washer Maintenance and Care" in the Product Guide. IMPORTANT: Do not place garments or other items in the washer during the Clean Washer with affresh® cycle. Use this cycle with an empty wash tub.
Downloaded cycles available from the App.						
Wrinkle Control	Lightly soiled shirts, blouses, trousers, pants, and dresses	Extra Heavy Heavy Normal Light	Extra Hot Hot Warm Cool Cold	Fast Medium Slow Off	Extra Rinse: On or Off PreSoak: On or Off FanFresh: On or Off Steam Clean: On or Off UV Clean: On or Off	This cycle combines low-speed tumbling and medium-speed spin for gentle fabric care and reduced wrinkling.
Active Wear	Workout wear, athletic uniforms or synthetic garments	Extra Heavy Heavy Normal Light	Hot Warm Cool Cold	Fast Medium Slow Off	Extra Rinse: On or Off PreSoak: On or Off FanFresh: On or Off Steam Clean: On or Off UV Clean: On or Off	This cycle uses slow tumbling and medium spin to gently clean athletic wear.
Jeans	Jeans and denim	Extra Heavy Heavy Normal Light	Extra Hot Hot Warm Cool Cold	Fast Medium Slow Off	Extra Rinse: On or Off PreSoak: On or Off FanFresh: On or Off UV Clean: On or Off	This cycle uses cooler water temperatures and lower spin speeds to care for jeans. This cycle uses cooler water temperatures in combination with moderate tumbling to clean denim items.


Cycle	Items to Wash	Soil Level	Wash Temp	Spin Speed	Wash Options	Description
Towels	Sturdy towels and wash clothes	Extra Heavy Heavy Normal Light	Extra Hot Hot Warm Cool Cold	Fast Medium Slow Off	Extra Rinse: On or Off PreSoak: On or Off FanFresh: On or Off Steam Clean: On or Off UV Clean: On or Off	This cycle provides extra water for absorbent loads, long wash time and an extra fast spin speed to shorten drying time.
Swimwear	Swimwear	Extra Heavy Heavy Normal Light	Hot Warm Cool Cold	Fast Medium Slow Off	Extra Rinse: On or Off PreSoak: On or Off FanFresh: On or Off UV Clean: On or Off	This cycle is designed to gently clean swimwear.

NOTE: All rinses are cold.

NOTE: Spin speed varies by model.

NOTE : Normal cycle is recommended for washing normally soiled cotton or linen clothes. This clothes washer's government energy certifications were based on the Normal/Regular with Fast Spin, Medium Soil and all wash temperature selections offered in the cycle. It was tested as an Automatic Water Fill Control System clothes washer. The settings as shipped are Normal/Regular cycle, Warm Wash Temp and Auto Water level. Cycles that are available for post-sale download may use more energy than the Normal/Regular cycle, which the energy use rating of this washer is based upon.

⚠ **WARNING**



Fire Hazard

Never place items in the washer that are dampened with gasoline or other flammable fluids.

No washer can completely remove oil.

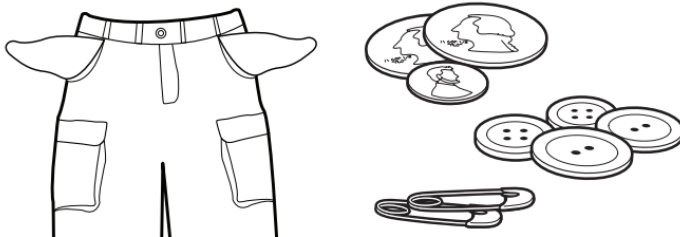
Do not dry anything that has ever had any type of oil on it (including cooking oils).

Doing so can result in death, explosion, or fire.
















Sort and Prepare Your Laundry

- Sort items by recommended cycle, water temperature, and colorfastness.
- Separate heavily soiled items from lightly soiled. Separate delicate items from sturdy fabrics.
- Treat stains promptly and check for colorfastness by testing stain remover products on an inside seam.
- Empty pockets. Loose change, buttons, or any small object can plug pumps and may require a service call.
- Close zippers, fasten hooks, tie strings and sashes, and remove non-washable trim and ornaments.
- Mend rips and tears to avoid further damage to items during washing.
- When washing waterproof or water-resistant items, load evenly.
- Use mesh garment bags to help avoid tangling when washing delicate or small items.
- Turn knits inside out to avoid pilling. Separate lint-takers from lint-givers. Synthetics, knits, and corduroy fabrics will pick up lint from towels, rugs, and chenille fabrics.
- Promptly remove garments after cycle has completed to avoid odor, reduce wrinkling, and prevent rusting of metal hooks, zippers, and snaps.
- Do not dry garments if stains remain after washing because heat can set stains into fabrics.

NOTE: Always read and follow fabric care label instructions to avoid damage to your items.



OPTIONS AND ICONS FOR WASHER AND DRYER

Icon	Description	Status	Platform
	Door is locked	Active	Washer
	Connected to a Wi-Fi network	On	Washer/Dryer
	Existing Wi-Fi connection has been lost	Error	
	Remote Start is active	On	Washer/Dryer
	Control Lock is active	On	Washer/Dryer
	Delayed Start is active	On	Washer
	Extra Rinse is active	On	Washer
	Fabric Softener is active	On	Washer
	Wrinkle Shield/FanFresh active	On	Washer/Dryer
	UV Clean is active	On	Washer
	UV Clean is deactivated	Off	
	Cycle Signal Muted	Only displayed while changing the option.	Washer/Dryer
	Cycle Signal Low		
	Cycle Signal Medium		
	Cycle Signal High		

DOOR REVERSAL GUIDE

DRYER DOOR REVERSAL INSTRUCTIONS

Round Doors with Electrical Wiring:

Tools Needed

Minimum 8" (203 mm) long TORX®, T20®, and T25®+ star drivers

#2 Phillips screwdriver



⚠WARNING



Electrical Shock Hazard

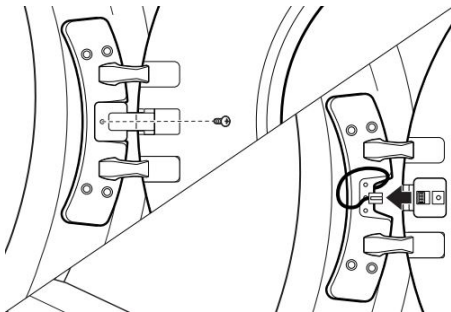
Disconnect power before servicing.

Replace all parts and panels before operating.

Failure to do so can result in death or electrical shock.

1. Disconnect wiring from door

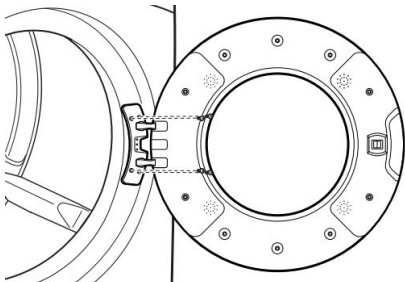
Using a Phillips screwdriver, remove middle screw in hinge. Disconnect wiring. Tuck wiring into opening.



2. Remove door from dryer

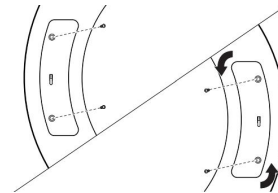
IMPORTANT: If the protective film has not yet been removed from the dryer, peel the film from the dryer door before proceeding.

Using a T25® screwdriver, remove the four screws securing the door hinge to the dryer and lift the door up and out to remove. Place the door on a soft towel or other non-scratch surface.



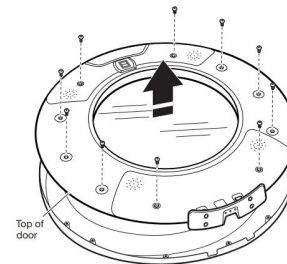
3. Move the door strike

Using a T25® screwdriver, remove the two screws securing the door strike to the door frame of the dryer. Rotate the strike 180° and attach to the opposite side of dryer door frame with the two screws removed earlier, as shown.



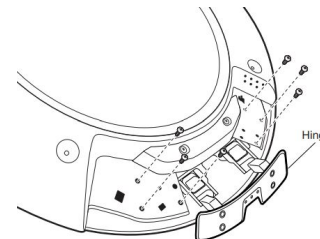
4. Remove inner door from outer door

Position the door with the inside of the door facing up. Using a Phillips screwdriver, remove the 10 screws securing the inner door to the outer door.



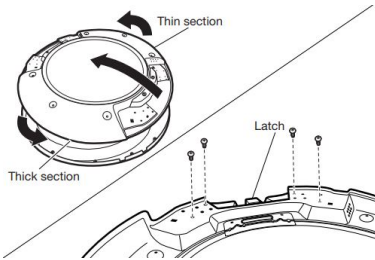
5. Remove hinge

Remove cover plate to reveal hinge assembly. Then, using a T20® screwdriver, remove the six screws holding the hinge assembly in place.



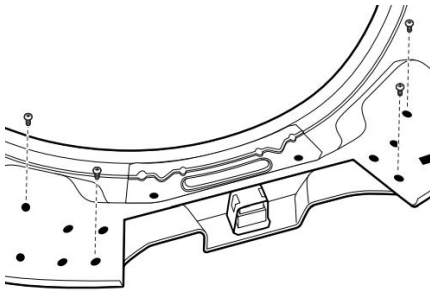
6. Remove latch

Flip and rotate the inner door 180° so that the thin section is at the top and the thick section is at the bottom. Using a T25® screwdriver, remove the four screws securing the latch plate in place.



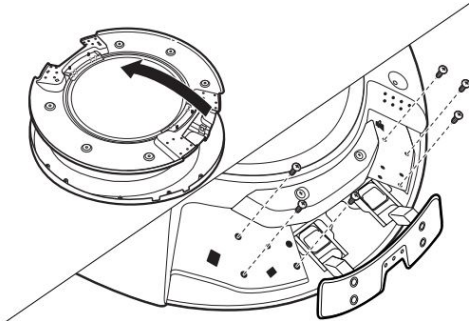
7. Reinstall latch on opposite side

Using a T25® screwdriver, reinstall the latch plate on the opposite side from which it was removed with the four screws removed earlier.



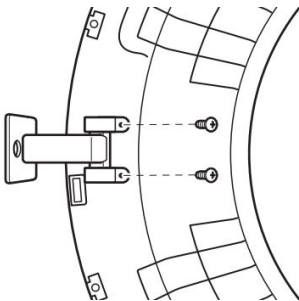
8. Reinstall hinge assembly on opposite side

Flip over the inner door to the left. Using a T20® screwdriver, reinstall the hinge assembly on the opposite side from which it was removed.



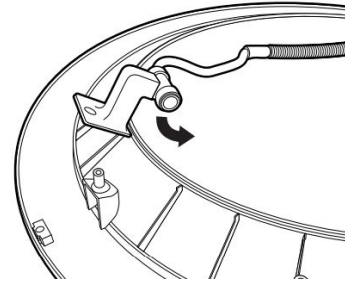
9. Remove rotating assembly

Lift off inner door assembly. Using a Phillips screwdriver, remove the two screws securing the rotating assembly to the door.



10. Reposition rotating assembly and tubing

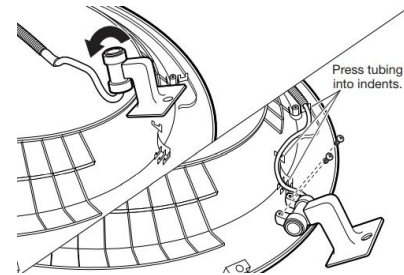
Reposition rotating assembly and tubing 180° to opposite side of the door.



11. Rotate assembly bottom and fasten

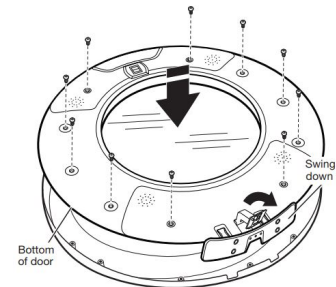
IMPORTANT: Make sure to swing hinge down in front of rotating assembly (see Step 12).

Rotate bottom of assembly 180° towards you and secure assembly with the two screws removed earlier, using a Phillips screwdriver. Press tubing into indents and reinstall hinge assembly cover plate.



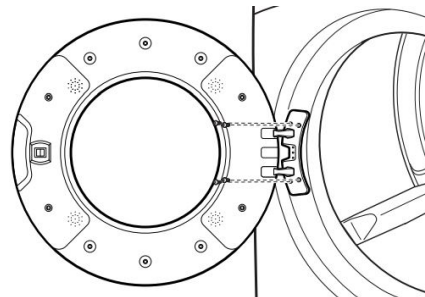
12. Reinstall inner door assembly

Position the door with the inside of the door facing up. Using a Phillips screwdriver, reinstall the 10 screws removed earlier, securing the inner door to the outer door.



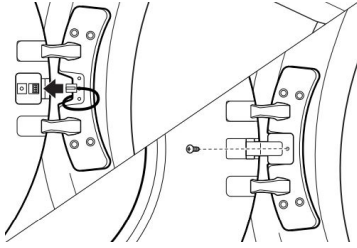
13. Reinstall door on dryer

Doors with electrical wiring: Pull the wire through the front panel opening before reinstalling the door. Insert the tabs on the hinge into the mounting slot and slide down to engage the top tab. Secure in place with the four T25® screws removed earlier.



14. Reconnect wiring (doors with electrical wiring)

Plug in wire. Using a Phillips screwdriver, secure the rotating assembly to the hinge with the screw removed earlier.



Troubleshooting

See your Owner's Manual or visit our website and reference Frequently Asked Questions to possibly avoid the cost of a service call.

GUIDE DE PRODUIT DE L'ENSEMBLE DE BUANDERIE SUPERPOSÉ ÉLECTRIQUE

SÉCURITÉ DE L'ENSEMBLE DE BUANDERIE ÉLECTRIQUE SUPERPOSÉ

Votre sécurité et celle des autres sont très importantes.

Nous donnons de nombreux messages de sécurité importants dans ce manuel et sur votre appareil. Assurez-vous de toujours lire tous les messages de sécurité et de vous y conformer.



Voici le symbole d'alerte de sécurité.

Ce symbole d'alerte de sécurité vous signale les dangers potentiels de décès et de blessures graves.

Tous les messages de sécurité suivront le symbole d'alerte de sécurité et le mot « DANGER » ou « AVERTISSEMENT ». Ces mots signifient :

⚠ DANGER

Risque possible de décès ou de blessure grave si vous ne suivez pas immédiatement les instructions.

⚠ AVERTISSEMENT

Risque possible de décès ou de blessure grave si vous ne suivez pas les instructions.

Tous les messages de sécurité vous diront quel est le danger potentiel, comment réduire le risque de blessure et ce qui peut se produire en cas de non-respect des instructions.



AVERTISSEMENT —« Risque d'incendie »

- L'installation de la sècheuse doit être effectuée par un installateur qualifié.
- Installer la sècheuse conformément aux instructions du fabricant et aux codes.
- Ne pas installer la sècheuse avec des matériaux d'évacuation en plastique flexible ou un conduit métallique flexible (type aluminium). Si un conduit métallique souple est installé, celui-ci doit être d'un type spécifique identifié par le fabricant de l'appareil et convenir à une utilisation avec les sècheuses à linge. Les matériaux d'évacuation souples sont connus pour s'affaisser, être facilement écrasés et piéger la charpie. Ces situations obstrueront le débit d'air de la sècheuse et augmenteront le risque d'incendie.
- Pour réduire le risque de blessure grave ou de décès, suivre toutes les instructions d'installation.
- Conserver ces instructions.

IMPORTANTES INSTRUCTIONS DE SÉCURITÉ

AVERTISSEMENT : Afin de réduire le risque d'incendie, de décharge électrique ou de blessures lors de l'utilisation de l'appareil, il convient d'observer certaines précautions fondamentales, notamment :

- Lire toutes les instructions avant d'utiliser l'appareil.
- Ne pas laver d'articles qui ont été précédemment nettoyés, lavés, trempés ou tachés avec de l'essence, des solvants pour nettoyage à sec ou d'autres substances inflammables ou explosives; ces substances dégagent des vapeurs qui pourraient s'enflammer ou exploser.
- Ne pas ajouter d'essence, de solvants pour nettoyage à sec ou d'autres substances inflammables ou explosives à l'eau de lavage. Ces substances dégagent des vapeurs qui pourraient s'enflammer ou exploser.
- Dans certaines conditions, un système d'eau chaude qui n'a pas été utilisé depuis 2 semaines ou plus peut produire de l'hydrogène. L'HYDROGÈNE EST UN GAZ EXPLOSIF. Si le système d'eau chaude est resté inutilisé pendant une telle période, ouvrir tous les robinets d'eau chaude et laisser l'eau s'y écouler pendant plusieurs minutes avant d'utiliser la laveuse. Ceci libérera toute accumulation d'hydrogène. Le gaz est inflammable : ne pas fumer ou utiliser une flamme nue durant cette période.
- Ne pas laisser des enfants jouer sur l'appareil ou à l'intérieur de celui-ci. Une surveillance étroite des enfants est nécessaire lorsque l'appareil est utilisé à proximité d'enfants.
- Retirer la porte de l'appareil avant de le retirer du service ou de le mettre au rebut.
- Ne pas accéder à l'intérieur de l'appareil si le tambour ou l'agitateur sont en mouvement.
- Ne pas installer ou entreposer cet appareil dans un endroit où il serait exposé aux intempéries.
- Ne pas effectuer d'intervention non autorisée sur les commandes.
- Ne pas réparer ou remplacer une quelconque pièce de l'appareil ou effectuer un entretien qui ne serait pas expressément recommandé dans les instructions d'entretien de l'utilisateur ou dans les instructions de réparation par l'utilisateur et s'assurer de bien comprendre ces instructions et d'être capable de les exécuter.
- Ne pas utiliser de pièces de remplacement qui n'ont pas été recommandées par le fabricant (c.-à-d., des pièces fabriquées à la maison à l'aide d'une imprimante 3D).
- Voir les instructions d'installation pour les exigences de mise à la terre et l'installation.
- Cet appareil utilise une source ultraviolette (UV) et doit être utilisé conformément à ses marquages et instructions afin d'éviter que les yeux et la peau nue de l'utilisateur ne soient exposés à un rayonnement UV nocif.
- Ne pas sécher d'articles qui ont été précédemment nettoyés, lavés, trempés ou tachés avec de l'essence, des solvants pour nettoyage à sec ou d'autres substances inflammables ou explosives; ces substances dégagent des vapeurs qui pourraient s'enflammer ou exploser.
- Risque de suffocation et de blessure par coincement : Ne pas laisser des enfants jouer sur l'appareil ou à l'intérieur de celui-ci. Une surveillance étroite des enfants est nécessaire lorsque l'appareil est utilisé à proximité d'enfants.
- Ne pas accéder à l'intérieur de l'appareil pendant le fonctionnement du tambour.
- Ne pas utiliser d'assouplissant ou de produits pour éliminer l'électricité statique à moins que cela ne soit recommandé par le fabricant de l'assouplissant ou du produit.
- Ne pas sécher à la chaleur des articles contenant du caoutchouc mousse ou des matières similaires.
- Nettoyer le filtre à charpie avant ou après chaque charge.
- La zone située autour de l'ouverture d'évacuation et les zones adjacentes doivent être propres, exemptes de peluches et poussières.
- L'intérieur de l'appareil et le conduit d'évacuation doivent être nettoyés régulièrement par un personnel d'entretien qualifié.
- Ne pas placer d'articles tachés d'huile de cuisson dans la sècheuse. Les articles couverts d'huile de cuisson peuvent provoquer une réaction chimique et enflammer la charge de vêtements. Pour réduire le risque d'incendie dû à des charges contaminées, la partie finale du programme de séchage par culbutage a lieu sans chaleur (période de refroidissement). Éviter d'arrêter une sècheuse en phase de culbutage avant la fin du programme de séchage, à moins de retirer et d'étendre rapidement tous les articles afin que la chaleur se dissipe.
- Ne pas installer de ventilateur secondaire dans le conduit d'évacuation

REMARQUE : L'avertissement de ventilateur secondaire ne s'applique pas aux sècheuses conçues pour être installées dans un système où il y a plusieurs sècheuses, avec un système de conduit d'évacuation conçu sur mesure et installé selon les directives du fabricant de la sècheuse.

CONSERVER CES INSTRUCTIONS

INSTRUCTIONS IMPORTANTES DE SÉCURITÉ

POUR METTRE L'ANCIENNE SÈCHEUSE AUX REBUTS OU POUR LA REMISER, ENLEVER LA PORTE.

CONSERVER CES INSTRUCTIONS

Ce produit est conforme aux dispositions applicables du « Code of Federal Regulations » des États-Unis, titre 21, chapitre 1, sous-chapitre J, Radiological Health.

AVERTISSEMENT

Certaines pièces internes sont intentionnellement non reliées à la terre et peuvent présenter un risque de décharge électrique seulement lors d'une intervention de dépannage.

Personnel d'entretien – Ne pas toucher les composants qui ne font pas partie intégrante du châssis ou de la caisse métallique.

Tenir hors de la portée des enfants. Lire l'étiquette et, le cas échéant, le manuel d'utilisation avant l'usage.

MISE EN GARDE

AVERTISSEMENT - Le présent dispositif émet un rayonnement ultraviolet. L'usage non prévu du dispositif ou l'endommagement de son boîtier peut entraîner une exposition au rayonnement ultraviolet. Le rayonnement ultraviolet peut irriter les yeux et la peau. Éviter d'exposer les yeux et la peau au rayonnement ultraviolet.

MODE D'EMPLOI. Consultez le manuel d'utilisation. La lampe UV ou les autres composants émettant des rayons UV ne doivent être entretenus que par un technicien de service qualifié. Appelez le centre de service et de soutien Whirlpool au 1-800-807-6777. L'utilisation de ce dispositif est un complément et non un substitut aux pratiques normalisées de lutte contre les infections afin de contrôler la transmission de celles-ci; les utilisateurs doivent continuer de suivre toutes les pratiques actuelles de lutte contre les infections, y compris celles liées au nettoyage et à la désinfection des surfaces environnementales.

Guide de connexion Internet pour les appareils connectés uniquement

IMPORTANT : Il est de la responsabilité de l'utilisateur de bien installer l'appareil avant de l'utiliser. Bien lire et suivre le guide d'installation qui accompagne l'appareil.

La connectabilité nécessite un réseau Wi-Fi et la création d'un compte. Les fonctions de l'application peuvent changer. Des frais de transfert de données peuvent s'appliquer. Une fois installée, lancer l'application. Suivre les étapes de configuration du compte d'utilisateur et de connexion de l'appareil.

Il faut :

- Un routeur sans fil compatible Wi-Fi à 2,4 GHz avec sécurité WPA2. Pour vérifier les capacités du routeur, consulter le manuel d'instructions du fabricant du routeur.
- Le routeur devra être en marche et connecté à Internet.
- Le numéro SAID à 10 caractères de votre appareil. Le numéro SAID est imprimé sur une étiquette collée sur l'appareil ou affiché à l'écran ACL.

Déclaration de conformité de la Commission fédérale des communications (FCC)

Cet appareil est conforme à la norme FCC, partie 15. Le bon fonctionnement de l'appareil est fonction de deux conditions :

1. Cet appareil ne doit pas produire de brouillage dommageable et
2. Cet appareil doit accepter tout brouillage radioélectrique subi, même si le brouillage est susceptible d'en compromettre le fonctionnement.

Tous changements ou toutes modifications n'ayant pas été expressément approuvés par la partie responsable de la conformité pourraient annuler l'autorité de l'utilisateur à utiliser l'appareil.

Avis de conformité d'Industrie Canada (IC)

Cet appareil satisfait aux prescriptions des documents CNR/RSS d'Industrie Canada (utilisation sans licence). Le bon fonctionnement de l'appareil est fonction de deux conditions :

1. Cet appareil ne doit pas produire de brouillage.
2. Cet appareil doit être compatible avec n'importe quelle interférence, y compris des interférences causées par l'utilisation involontaire de l'appareil.

En vertu des règlements d'Industrie Canada, cet émetteur radio ne peut fonctionner qu'à l'aide d'une antenne d'un type et de gain maximum (ou moins) approuvé pour l'émetteur par Industrie Canada. Pour réduire les interférences radio potentielles pour les autres utilisateurs, le type d'antenne et son gain doivent être choisis de sorte que la puissance isotrope rayonnée équivalente (PIRE) ne dépasse pas ce qui est nécessaire pour une communication réussie.

Pour satisfaire aux exigences de la FCC et d'Industrie Canada sur les l'exposition aux radiations de radiodiffusion, les antennes utilisées avec cet émetteur doivent être installées de telle sorte qu'il y ait une distance de 20 cm ou plus séparant la source de radiation (antenne) et toute personne en tout temps et ne doit pas être co-utilisée ou fonctionner en même temps qu'une autre antenne ou qu'un émetteur.

Si cet appareil cause des interférences nuisibles à la réception radio ou télévision, pouvant être déterminées par le fait d'allumer et d'éteindre l'appareil, l'utilisateur est encouragé à essayer de corriger les interférences en suivant l'un des conseils suivants :

- Réorienter ou déplacer l'antenne de réception.
- Augmenter la distance séparant l'appareil du récepteur.
- Brancher l'appareil sur un circuit différent de celui où le récepteur est branché.
- Prendre contact avec un revendeur ou un technicien radio/télévision qualifié pour obtenir de l'aide.

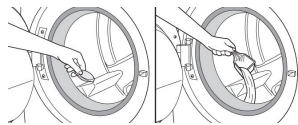
CHOIX DU DÉTERGENT APPROPRIÉ

Utiliser uniquement des détergents haute efficacité. L'emballage portera la mention « HE » ou « High Efficiency » (haute efficacité). Un lavage avec faible consommation d'eau produit un excès de mousse avec un détergent non HE. Il est probable que l'utilisation d'un détergent autre que HE prolonge la durée des programmes et réduise la performance de rinçage. Ceci peut aussi entraîner des défaillances des composants et, avec le temps, une accumulation de moisissure. Les détergents HE devraient produire peu de mousse et se dissoudre rapidement et créer une quantité de mousse idéale pour une performance optimale. Ils devraient retenir les particules de saleté en suspension afin qu'elles ne se déposent pas de nouveau sur les vêtements propres. Les détergents identifiés HE ne sont pas tous identiques et ne produisent pas tous la même quantité de mousse. Par exemple, les détergents HE, naturels, organiques et faits maison peuvent produire une plus grande quantité de mousse. Si l'un de ces produits est utilisé et que le code d'erreur « Sd » ou « Sud » s'affiche sur l'afficheur, l'utilisation d'un autre détergent HE est conseillée. Toujours suivre les recommandations du fabricant de détergent pour déterminer la quantité de détergent à utiliser. Ne pas remplir au-delà de la ligne MAX sur le distributeur.

Ajout de produits de lessive

Ajouter du détergent HE au panier :

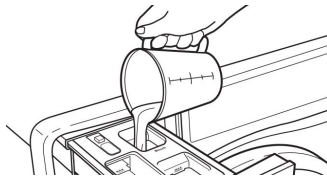
On peut ajouter des sachets de lessive à dose unique, des activateurs de lessive de type Oxi, de javellisant non décolorant ou des cristaux parfumés dans le tambour avant d'ajouter le linge.



REMARQUE : Suivre les instructions du fabricant pour déterminer la quantité de produits de lessive à utiliser.

Verser de l'eau de Javel dans le distributeur pour charge unique :

Verser l'eau de Javel dans le compartiment pour eau de Javel. Ne pas remplir excessivement le distributeur, diluer le produit ou utiliser plus de 2/3 tasse (165 ml). Ne pas utiliser de javellisant non décolorant ni de produit Oxi avec un programme utilisant de l'eau de Javel.

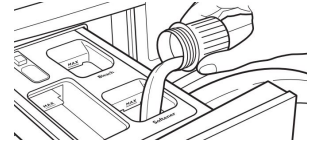


IMPORTANT :

- Toujours mesurer la quantité d'eau de Javel. Utiliser une tasse à mesurer avec un bec verseur; ne pas utiliser une quantité approximative.
- Ne pas remplir au-delà du niveau « MAX ». Un remplissage excessif pourrait endommager les vêtements.
- Ne pas utiliser d'agent de blanchiment épaissi, facile à verser ou anti-éclaboussure lorsque le programme Clean Washer with †affresh® (Nettoyage de la laveuse avec affresh) est en cours car cela peut entraîner une surproduction de mousse.
- Fermer lentement les tiroirs distributeurs. S'assurer que les tiroirs sont fermés complètement.

Verser de l'assouplissant de tissu liquide dans le distributeur pour charge unique :

Verser une mesure de l'assouplissant de tissu liquide dans le compartiment d'assouplissant de tissu liquide. Toujours suivre les instructions du fabricant pour connaître la quantité d'assouplissant de tissu adéquate en fonction de la taille de la charge.



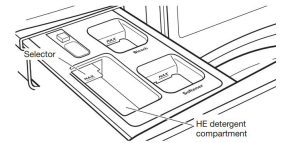
L'assouplissant de tissu est toujours distribué lors du rinçage final, même si l'on a sélectionné Extra Rinse (Rinçage supplémentaire).

IMPORTANT : Ne pas remplir excessivement le distributeur, diluer le produit ou utiliser plus de la quantité d'assouplissant recommandée par le fabricant. Ne pas remplir au-delà du niveau « MAX ». Si l'on remplit excessivement le distributeur, l'assouplissant de tissu sera distribué dans la laveuse immédiatement.

- Ne pas renverser ou faire couler d'assouplissant de tissu sur les vêtements.
- Ne pas utiliser de boules distributrices d'assouplissant de tissu dans cette laveuse. Ces produits ne se dissoudront pas correctement.
- Ne pas utiliser de feuilles d'assouplissant, car elles peuvent tacher la charge.

Ajouter du détergent HE au distributeur pour charge unique :

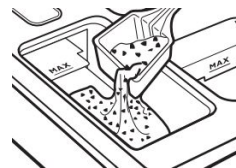
Verser une mesure de détergent HE dans le compartiment à détergent. Pour du détergent en poudre, soulever le sélecteur vers la position supérieure. Pour le détergent liquide, abaisser le sélecteur jusqu'en position inférieure. Ne pas faire remplir excessivement le distributeur – le fait d'ajouter trop de détergent peut entraîner sa distribution prématurée dans la laveuse.



IMPORTANT :

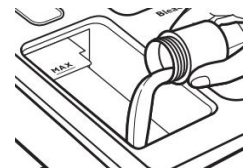
- Ne pas ajouter de sachet de lessive à dose unique dans le tiroir distributeur.

Détergent en poudre :



Soulever le sélecteur en position élevée. Ajouter directement dans le compartiment.

Détergent liquide :



Appuyer sur le sélecteur pour le placer en position basse. Ajouter directement dans le compartiment.

†affresh® est une marque déposée de Whirlpool, É.-U.

ENTRETIEN ET RÉPARATION DE L'ENSEMBLE DE BUANDERIE SUPERPOSÉ

Tuyaux d'arrivée d'eau de la laveuse

Si l'on réside dans une région où l'eau est dure, l'emploi d'un adoucisseur d'eau est recommandé pour contrôler l'accumulation de tartre dans le circuit d'eau de la laveuse. Avec le temps, l'accumulation de tartre peut obstruer différentes parties du circuit d'eau, ce qui réduira la performance du produit. Une accumulation excessive de tartre peut entraîner la nécessité de remplacer ou de réparer certains composants.

Remplacer les tuyaux d'arrivée d'eau après 5 ans d'utilisation pour réduire le risque de défaillance intempestive. Inspecter périodiquement les tuyaux; les remplacer en cas de renflement, de déformation, de coupure et d'usure ou de fuite.

Lors du remplacement de vos tuyaux d'arrivée d'eau :

- Noter la date de remplacement au marqueur indélébile sur l'étiquette.
- Vérifier que les vieilles rondelles ne sont pas coincées dans les valves d'arrivée d'eau de la laveuse.
- Utiliser de nouvelles rondelles avec les nouveaux tuyaux d'entrée pour assurer une bonne étanchéité.

REMARQUE : Ne pas utiliser de tuyaux usagés. La propriété pourrait être endommagée. Cet appareil peut ne pas comprendre de tuyaux d'arrivée d'eau.

Entretien de la laveuse

Recommandations pour une laveuse propre et pour un niveau de performance optimal :

1. Utiliser toujours un détergent HE (haute efficacité) et employer la quantité de détergent recommandée par le fabricant du détergent HE. Ne pas utiliser plus que la quantité recommandée de détergent, car ceci peut augmenter le taux d'accumulation de résidus de détergent et de saletés à l'intérieur de la laveuse, ce qui pourrait entraîner la formation d'odeurs indésirables.
2. Exécuter périodiquement des lavages avec de l'eau tiède ou chaude (et non pas exclusivement des lavages à l'eau froide), car l'eau chaude permet de contrôler plus efficacement la vitesse à laquelle les saletés et les résidus de détergent s'accumulent.
3. Veiller à toujours laisser la porte/le couvercle de la laveuse ouvert entre deux utilisations pour qu'elle puisse sécher, et pour éviter l'accumulation de résidus générateurs d'odeurs.
4. Nettoyer périodiquement les résidus s'accumulant sur les surfaces intérieures du hublot. Pour un meilleur entretien, passer un linge humide sur toute la partie intérieure de la porte.
5. Toujours suivre les instructions d'entretien du joint de porte pour le nettoyer. Les instructions complètes sont accessibles en ligne.

Entretien de la sècheuse

Nettoyage de l'emplacement de la sècheuse

⚠ AVERTISSEMENT



Risque d'explosion

Garder les matières et les vapeurs inflammables, telles que l'essence, à l'écart de la sècheuse.

Ne pas faire sécher un article qui a déjà été touché par un produit inflammable (même après un lavage).

Le non-respect de ces instructions peut causer un décès, une explosion ou un incendie.

Éviter de laisser autour de la sècheuse des éléments qui pourraient obstruer la circulation de l'air et empêcher le bon fonctionnement de la sècheuse. Ceci implique de dégager également les éventuelles piles de vêtements placées devant la sècheuse.

Nettoyage de l'intérieur de la sècheuse

Nettoyage du tambour de la sècheuse :

1. Utiliser un produit de nettoyage ininflammable ou un détergent à vaisselle doux mélangé à une faible concentration et de l'eau très chaude et frotter avec un chiffon doux.
 - Rincez soigneusement avec une éponge ou une serviette mouillée.
 - Faire culbuter une charge de vêtements ou de serviettes propres pour sécher le tambour.
- OU
2. Utiliser un chiffon en microfibre et de l'eau chaude dans un flacon de vaporisation pour nettoyer le tambour et une deuxième serviette en microfibre pour le séchage.

REMARQUE : Les vêtements contenant des teintures instables, tels les jeans en denim bleu ou articles en coton de couleur vive, peuvent décolorer l'intérieur de la sècheuse. Ces taches ne sont pas nocives pour votre sècheuse et ne tacheront pas les vêtements des charges futures. Faire sécher les articles à teinture instable sur l'envers pour éviter le transfert de la teinture.

Retrait de la charpie accumulée

À l'intérieur de la caisse de la sècheuse :

Il faut retirer la charpie accumulée dans le conduit d'évacuation tous les 2 ans ou plus souvent, selon l'utilisation de la sècheuse. Le nettoyage doit être effectué par un réparateur qualifié ou un nettoyeur de systèmes de ventilation.

À l'intérieur du conduit d'évacuation :

Il faut retirer la charpie accumulée dans le conduit d'évacuation tous les 2 ans ou plus souvent, selon l'utilisation de la sècheuse.

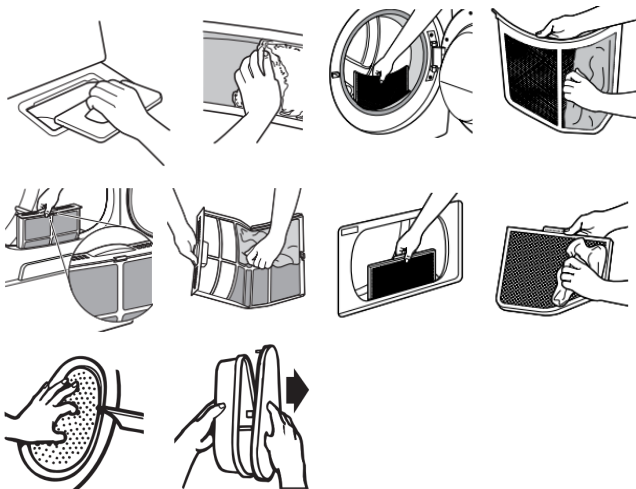
Nettoyage du filtre à charpie

Nettoyage avant chaque charge :

Le filtre à charpie peut être situé dans l'ouverture de la porte ou sur le dessus de la sècheuse selon le modèle. Un filtre obstrué de charpie peut augmenter la durée de séchage.

Nettoyage :

1. Retirer le filtre à charpie. Au besoin, appuyer sur l'onglet pour dégager et ouvrir le filtre à charpie. Retirer la charpie du filtre en la roulant avec les doigts. Ne pas rincer ni laver le filtre pour enlever la charpie. La charpie mouillée s'enlève difficilement.



2. Bien remettre le filtre à charpie en place.

IMPORTANT :

- Ne pas faire fonctionner la sècheuse avec un filtre à charpie déplacé, endommagé, bloqué ou manquant. Une telle action peut causer une surchauffe et des dommages à la sècheuse et aux tissus.
- Si de la charpie tombe dans la sècheuse au moment du retrait du filtre, vérifier le conduit d'évacuation et retirer la charpie. Voir la section « Exigences concernant l'évacuation » dans les Instructions d'installation.
- Au besoin, nettoyer l'espace où se trouve la charpie. À l'aide d'un aspirateur, enlever doucement toute charpie qui s'est accumulée à l'extérieur du filtre à charpie.

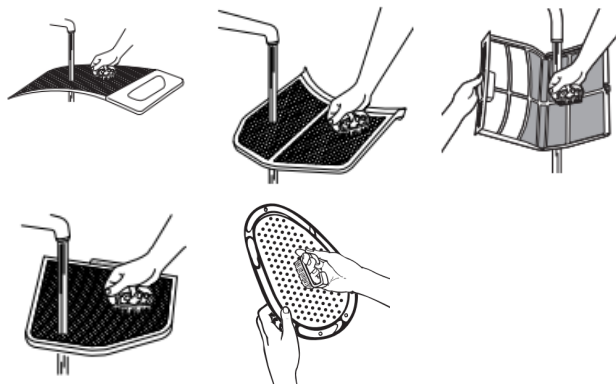
Nettoyage au besoin :

Des résidus de détergent ou d'assouplisseur de tissu peuvent s'accumuler sur le filtre à charpie. Cette accumulation peut entraîner des temps de séchage plus longs, ou l'arrêt de la sècheuse avant que la charge ne soit complètement sèche. Si de la charpie tombe du filtre alors qu'il est dans la sècheuse, il est probablement obstrué. Nettoyer le filtre à charpie avec une brosse en nylon tous les 6 mois ou plus fréquemment s'il devient obstrué par suite d'une accumulation de résidus.

Pour laver :

1. Retirer la charpie du filtre en la roulant avec les doigts.
2. Mouiller les deux côtés du filtre à charpie avec de l'eau chaude.

3. Mouiller une brosse en nylon avec de l'eau chaude et du détergent liquide. Frotter le filtre à charpie avec la brosse pour enlever l'accumulation de résidus.



4. Rincer le filtre à l'eau chaude.
5. Bien sécher le filtre à charpie avec une serviette propre. Réinstaller le filtre dans la sècheuse.

Vérification d'une circulation d'air adéquate pour le système d'évacuation

⚠ AVERTISSEMENT



Risque d'incendie

Utiliser un conduit d'évacuation en métal lourd.

Ne pas utiliser de conduit d'évacuation en plastique.

Ne pas utiliser de conduit d'évacuation en aluminium.

Le non-respect de ces instructions peut causer un décès ou un incendie.

Bonne circulation d'air

Une sècheuse a besoin de chaleur et d'une circulation d'air adéquate pour sécher efficacement les vêtements. Une ventilation adéquate réduit les durées de séchage et accroît les économies d'énergie. Voir les Instructions d'installation.

Le système d'évacuation fixé à la sècheuse joue un rôle important dans la circulation de l'air. Des conduits d'évacuation bloqués ou écrasés, ainsi qu'une installation inadéquate de l'évacuation, diminuent la circulation d'air et les performances de la sècheuse.

Les interventions de dépannage causées par une ventilation incorrecte ne sont pas couvertes par la garantie et seront à la charge du client, quel que soit l'installateur de la sècheuse. Pour nettoyer ou réparer l'évacuation d'air, contacter un technicien qualifié dans l'évacuation d'air.

Non-utilisation et entretien en période de vacances

Faire fonctionner l'ensemble de buanderie superpose seulement lorsqu'on est présent. Lors d'un déménagement ou lorsque l'ensemble de buanderie superposé n'est pas utilisé pendant longtemps, suivre les étapes suivantes :

1. Débrancher ou déconnecter la source de courant électrique de la laveuse et de la sècheuse.
2. Fermer l'alimentation en eau de l'ensemble de buanderie superpose pour éviter toute inondation due à une surpression.
CONSEIL UTILE : Fixer une note de rappel à la laveuse d'ouvrir le robinet d'eau avant de l'utiliser à nouveau.
3. Nettoyer les distributeurs. Tous les modèles ne sont pas équipés de distributeurs. Si votre modèle est équipé de distributeurs, voir la section Nettoyage des distributeurs dans le Guide du produit en ligne.
4. Nettoyer le filtre à charpie. Voir la section « Nettoyage du filtre à charpie ».

Entretien pour entreposage hivernal

IMPORTANT : Pour éviter tout dommage, installer et remiser l'ensemble de buanderie superposé à l'abri du gel. L'eau qui peut rester dans les tuyaux risque d'abîmer la laveuse en temps de gel. Si la laveuse doit faire l'objet d'un déménagement ou d'un entreposage au cours d'une période de gel, hivériser la laveuse.

Hivérisation de la laveuse :

1. Fermer les deux robinets d'eau; déconnecter et vidanger les tuyaux d'arrivée d'eau.
CONSEIL UTILE : Fixer une note de rappel à la laveuse d'ouvrir le robinet d'eau avant de l'utiliser à nouveau.
2. Placer 1 pinte (1 L) d'antigel pour véhicule récréatif dans le panier et faire fonctionner la laveuse sur le programme Rinse & Spin (Rinçage et essorage) pendant environ 30 secondes pour mélanger l'antigel et l'eau restante.
3. Débrancher la laveuse et la sècheuse.

Transport de votre appareil de buanderie superposé

1. Fermer les deux robinets d'eau. Débrancher et vidanger les tuyaux d'arrivée d'eau.
2. Pour déplacer l'ensemble de buanderie superposé pendant une période de gel, suivre les instructions de la section « Entretien pour entreposage hivernal » avant le déplacement.
3. Déconnecter le tuyau d'évacuation du système d'évacuation et de l'arrière de la laveuse.
4. Débrancher les cordons d'alimentation électrique de la laveuse et de la sècheuse.
5. Placer les tuyaux d'arrivée d'eau et le tuyau d'évacuation dans le panier de la laveuse.
6. Enrouler le cordon d'alimentation et l'attacher avec un élastique ou avec un attache-câbles pour l'empêcher de traîner sur le plancher.
7. S'assurer que les pieds de nivellement sont solidement fixés à la base de la laveuse.
8. Utiliser du ruban adhésif pour fixer les portes.

IMPORTANT : Demander une intervention de dépannage si l'on doit installer de nouveaux boulons de transport. Ne pas réutiliser les boulons de transport. L'ensemble de buanderie superposé doit être transporté en position verticale. Afin d'éviter d'endommager la structure de l'ensemble de buanderie superpose, celui-ci doit être correctement installé pour pouvoir être déplacé par un technicien autorisé.

Réinstallation/réutilisation de l'ensemble de buanderie superposé

Pour réinstaller l'ensemble de buanderie superposé après une période de non-utilisation, de vacances, de remisage pour l'hiver ou après un déménagement :

1. Suivre les instructions d'installation pour installer, mettre à niveau et raccorder l'ensemble de buanderie superposé.
2. Avant de réutiliser la laveuse, exécuter la procédure recommandée suivante :

Pour utiliser de nouveau l'ensemble de buanderie superposé :

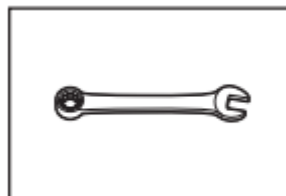
1. Vidanger les canalisations d'eau et les tuyaux. Reconnecter les tuyaux d'arrivée d'eau. Ouvrir les deux robinets d'eau.
2. Brancher la laveuse et la sècheuse.
3. Faire fonctionner la laveuse pendant un programme complet (le programme Clean Washer [Programme de nettoyage de la laveuse] est recommandé, le cas échéant) pour nettoyer la laveuse et éliminer l'antigel, si utilisé. Utiliser seulement du détergent HE (haute efficacité). Utiliser la moitié de la quantité recommandée par le fabricant pour une charge de taille moyenne.

INSTRUCTIONS D'INSTALLATION SPÉCIFICATIONS

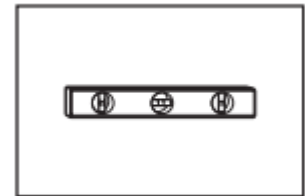
Outils et pièces

Rassembler les outils et composants nécessaires avant d'entreprendre le processus d'installation.

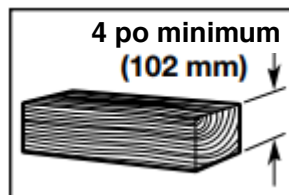
Outils requis :



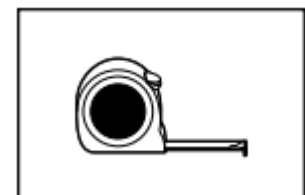
Clés plates ou clés à molette de 1/2 po (13 mm), 5/8 po (16 mm) et 9/16 po (14,3 mm)



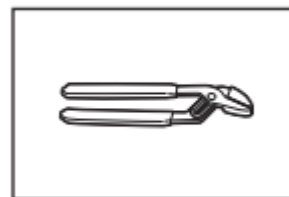
Niveau



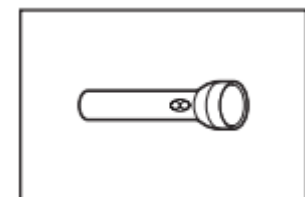
Cale en bois



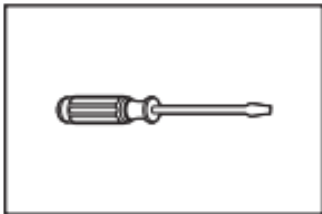
Règle ou mètre ruban



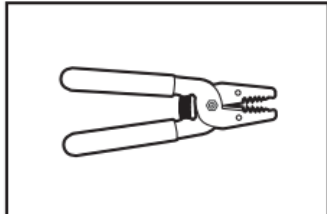
Pince — ouverture jusqu'à 1 9/16 po (39,7 mm)



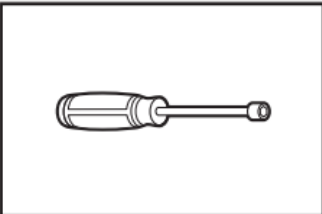
Lampe de poche



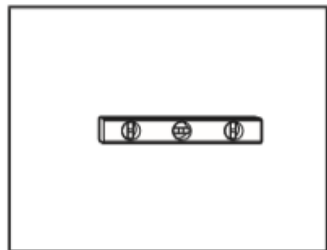
Tournevis à tête plate



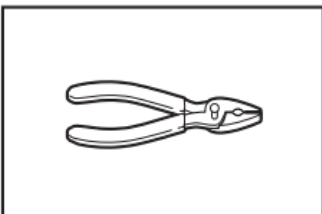
Pince à dénuder



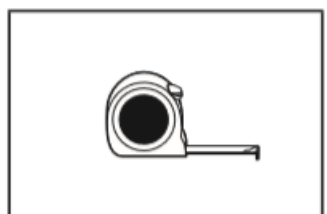
Tourne-écrou de 1/4 po



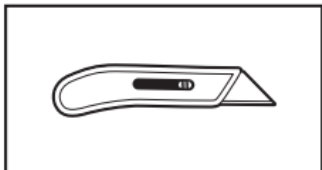
Niveau



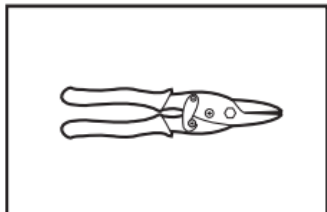
Pince



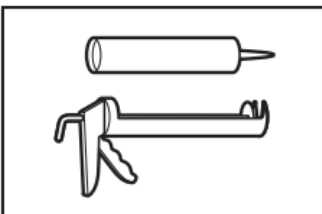
Ruban à mesurer



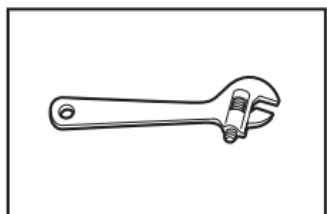
Couteau utilitaire



Cisaille de ferblantier



Pistolet à calfeutrer et composé



Clé à molette avec ouverture jusqu'à 1 po (25 mm) ou clé à douille hexagonale



Seau

Pièces fournies :

REMARQUE : Toutes les pièces fournies pour l'installation se trouvent dans la laveuse.



Tuyau d'évacuation avec bride, et si compris : Bride en U avec serre-câbles

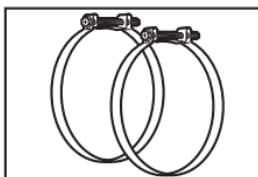
Pièces nécessaires : (si non fourni)



Tuyaux d'arrivée d'eau avec rondelles plates.

REMARQUE : Différentes options de tuyau d'arrivée d'eau sont offertes; consulter le guide de démarrage rapide pour les informations de commande.

Modèles avec conduit d'évacuation :



Brides de conduit, coudes et matériel d'évacuation

Des pièces supplémentaires seront peut-être nécessaires, selon l'installation. Consulter les codes locaux. Vérifier l'alimentation électrique et le circuit d'évacuation existants. Voir « Installations électriques » et « Critères d'évacuation » avant d'acheter les pièces. Les installations pour maison mobile nécessitent un système d'évacuation en métal disponible chez le marchand chez qui l'ensemble de buanderie superposé a été acheté. Pour plus d'informations, consulter le Guide de démarrage rapide pour se renseigner des coordonnées du service.

Accessoires disponibles

Des accessoires et pièces de rechange sont disponibles pour ce modèle. Pour commander ou se renseigner des informations de contact, se reporter au Guide de démarrage rapide.

Pièces supplémentaires (non fournies)

Il se peut que l'installation nécessite des pièces supplémentaires. Pour commander, consulter les coordonnées dans le guide de démarrage rapide.

Si vous avez :	Il vous faudra :
Égout surélevé	Tuyau rigide d'évacuation standard de 20 gal (76 L) de 39 po (991 mm) de haut ou évier de décharge, pompe de puisard et connecteurs (offerts chez les vendeurs de matériel de plomberie locaux)

EXIGENCES D'EMPLACEMENT (laveuse)

⚠ AVERTISSEMENT



Risque d'explosion

Garder les matières et les vapeurs inflammables, telles que l'essence, à l'écart de la sècheuse.

Ne pas faire sécher un article qui a déjà été touché par un produit inflammable (même après un lavage).

Le non-respect de ces instructions peut causer un décès, une explosion ou un incendie.

Vérifier les spécifications des codes. Certains codes limitent ou interdisent l'installation des sècheuses dans un garage, un placard, une maison mobile ou une chambre à coucher. Contacter l'inspecteur en bâtiments local.

IMPORTANT : Ne pas installer, remettre ou faire fonctionner l'ensemble de buanderie superposé à un emplacement où il sera exposé aux intempéries ou à des températures inférieures à 45 °F (7 °C). À des températures inférieures, la sècheuse pourrait ne pas s'arrêter à la fin des programmes de détection automatique, ce qui entraînerait le prolongement de la durée de séchage. De plus, l'eau qui reste dans la laveuse après l'utilisation pourrait causer des dommages à basse température. Voir la section « Entretien et nettoyage de l'ensemble de buanderie superposé » pour obtenir des renseignements sur la préparation pour l'hiver.

Le choix d'un emplacement approprié pour l'ensemble de buanderie superposé en améliore le rendement et réduit au minimum le bruit. L'ensemble de buanderie superposé peut être installé dans un sous-sol, une salle de buanderie, un placard ou être encastré.

C'est à l'utilisateur qu'incombe la responsabilité de réaliser une installation correcte.

Il vous faudra

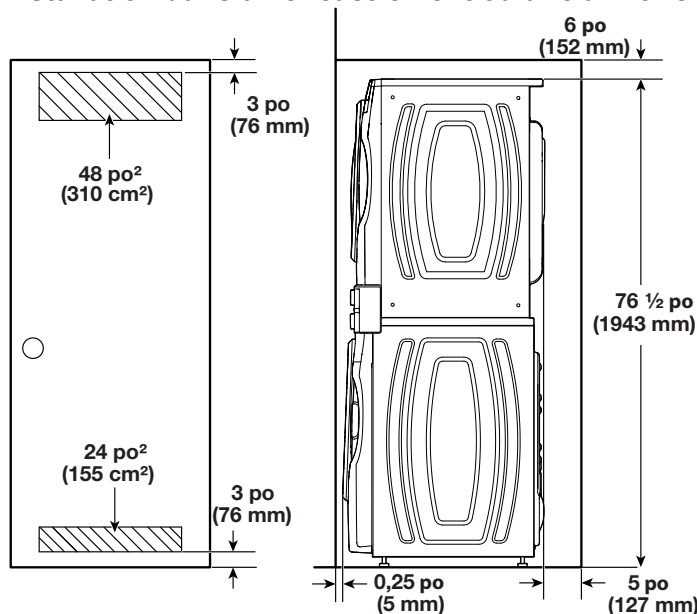
- Un chauffe-eau réglé à 120 °F (49 °C).
- Une prise électrique reliée à la terre et située à moins de 2 pi (610 mm) du cordon d'alimentation à l'arrière de la laveuse et de la sècheuse.
- Des robinets d'eau chaude et d'eau froide situés à moins de 4 pi (1,2 m) des électrovannes de remplissage d'eau chaude et d'eau froide sur la laveuse, et une pression d'eau de 20 à 100 lb/po² (137,9 à 689,6 kPa).
- Un emplacement permettant une évacuation appropriée. Voir la section « Critères d'évacuation ».
- Un circuit distinct de 30 A pour les sècheuses électriques.
- Un plancher de niveau avec une pente maximale de 1 po (25 mm) sous l'ensemble de buanderie superposé. Il n'est pas recommandé de l'installer sur un tapis, de la moquette ou des surfaces avec endos en mousse.
- Si la pente est supérieure à 1 po (25 mm), installer la trousse de pieds longs. Si l'ensemble de buanderie n'est pas de niveau, les vêtements peuvent ne pas se laver ou culbuter convenablement et les programmes de détection automatiques peuvent ne pas fonctionner correctement.

- Un plancher capable de supporter le poids total de 315 lb (143 kg) de l'ensemble de buanderie superposé, de l'eau et de la charge compris).
- Pour une installation dans un garage, placer l'ensemble de buanderie superposé au moins 18 po (460 mm) au-dessus du plancher.
- L'ensemble de buanderie superposé doit être installé ou remisé dans un endroit où il ne sera pas exposé à l'eau ou aux intempéries.

IMPORTANT : Ne pas faire fonctionner la sècheuse à une température inférieure à 45 °F (7 °C). À des températures inférieures, la sècheuse pourrait ne pas s'arrêter à la fin des programmes de détection automatique, ce qui entraînerait le prolongement du temps de séchage.

Les dimensions indiquées correspondent à l'espacement minimal permis. Pour chaque type de configuration, prévoir davantage de dégagement pour faciliter l'installation et l'entretien et laisser suffisamment de dégagement pour les appareils ménagers voisins et pour les murs, les portes et les plinthes. L'espacement doit être assez grand pour permettre d'ouvrir complètement la porte. Ajouter un espace supplémentaire de 1 po (25 mm) de tous les côtés de l'ensemble de buanderie superposé et pour réduire le transfert de bruit. Les portes doivent être à persiennes ou l'équivalent, et avoir une surface ouverte d'au moins 24 po² (155 cm²) en bas et 48 po² (310 cm²) en haut.

Installation dans un encastrement ou une armoire



Installation dans une résidence mobile – Exigences supplémentaires

Cette sècheuse peut être installée dans une maison mobile. L'installation doit satisfaire les critères de la Manufactured Home Construction and Safety Standard, Titre 24 CFR, partie 3280 (anciennement Federal Standard for Mobile Home Construction and Safety, Titre 24 HUD, partie 280) ou de la Norme CAN/CSA-Z240MH pour les maisons mobiles.

Critères à respecter pour une installation dans une maison mobile :

- Un système d'évacuation en métal qui peut être acheté chez votre marchand.
- Il faut prendre des dispositions spéciales dans les maisons mobiles pour l'apport d'air de l'extérieur dans la sècheuse. L'ouverture (telle qu'une fenêtre à proximité) devrait être au moins deux fois plus grande que l'ouverture de décharge de la sècheuse.

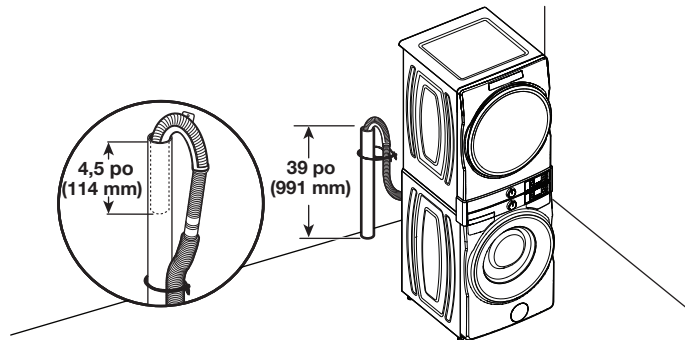
Système de vidange

Il incombe à l'installateur d'installer et de fixer solidement le tuyau de vidange à la canalisation d'évacuation de manière que le tuyau de vidange ne puisse sortir et causer d'éventuelles fuites de la canalisation d'évacuation.

Le système de vidange peut être installé à l'aide d'un conduit d'évacuation au plancher, un tuyau rigide de rejet à l'égout mural, un tuyau rigide de rejet à l'égout au plancher ou un évier de buanderie. Sélectionner la méthode à utiliser.

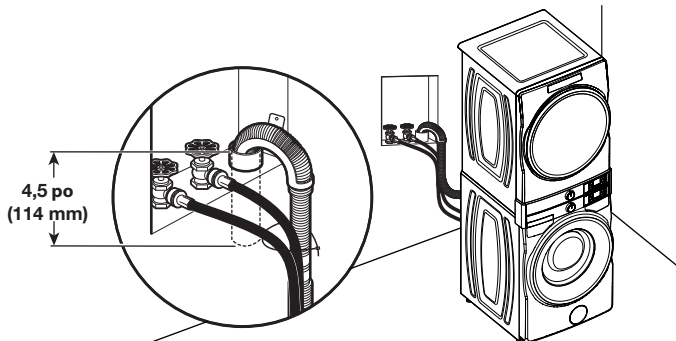
IMPORTANT : Pour éviter un effet de siphon, pas plus de 4,5" (114 mm) de tuyau de rejet ne devrait être inséré à l'intérieur de la canalisation d'évacuation.

Système de vidange avec tuyau de rejet à l'égout au plancher



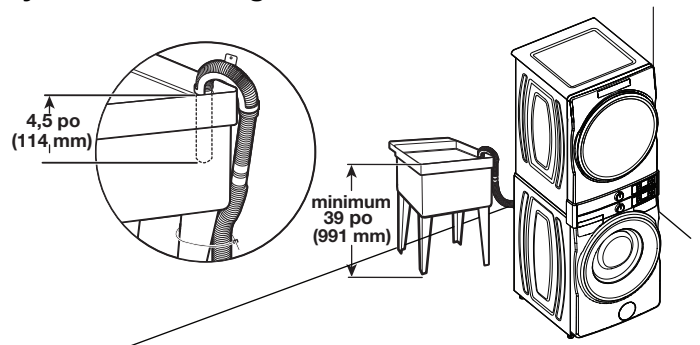
Diamètre minimum pour un tuyau de rejet à l'égout : 2 po (51 mm). Capacité minimale d'acheminement : 17 gallons (64 L) par minute. Un adaptateur de 1/4 po (6 mm) à 1 po (25 mm) de diamètre est offert pour le tuyau de rejet à l'égout; consulter le guide de démarrage rapide pour les renseignements de commande en ligne. Le sommet du tuyau de rejet à l'égout doit avoir une hauteur d'au moins 39 po (991 mm); ne pas l'installer à plus de 48 po (1,2 m) du bas de la laveuse. Si la canalisation de vidange est au-dessus de la tête et que l'eau doit être pompée à plus de 48 po (1,2 m), une pompe de puisard et sa quincaillerie seront nécessaires. Voir la section « Pièces supplémentaires ».

Système de vidange avec tuyau de rejet à l'égout mural

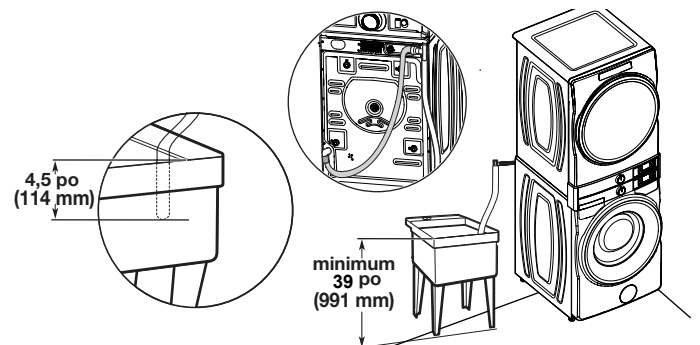


Voir les exigences pour le « Système de vidange avec tuyau de rejet à l'égout au plancher ».

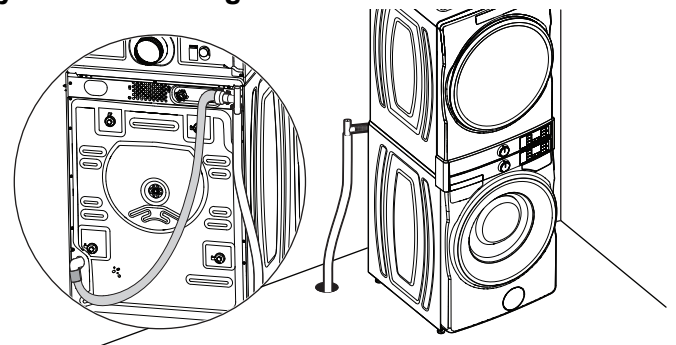
Système de vidange dans un évier de buanderie



Capacité minimale : 20 gallons (76 L). Le haut de l'évier de buanderie doit être à au moins 39 po (991 mm) du sol, mais pas à plus de 48 po (1,2 m) du bas de la laveuse.



Système de vidange au sol



Le système de vidange au plancher nécessite un ensemble brise-siphon, deux ensembles de raccordement et une rallonge de tuyau de vidange qui peuvent être achetés séparément; consulter le guide de démarrage rapide pour les renseignements de commande en ligne. Hauteur minimale du brise-siphon : 28 po (710 mm) à partir du fond de la laveuse. (Des tuyaux supplémentaires peuvent être requis.)

Exigences concernant l'évacuation pour une maison

⚠ AVERTISSEMENT



Risque d'incendie

Utiliser un conduit d'évacuation en métal lourd.

Ne pas utiliser de conduit d'évacuation en plastique.

Ne pas utiliser de conduit d'évacuation en aluminium.

Le non-respect de ces instructions peut causer un décès ou un incendie.

AVERTISSEMENT : Pour réduire le risque d'incendie, cette sècheuse doit ÉVACUER L'AIR À L'EXTÉRIEUR.

IMPORTANT : Observer les dispositions de tous les codes et règlements en vigueur. Le conduit d'évacuation de la sècheuse ne doit pas être raccordé à une évacuation de gaz, une cheminée, un mur, un plafond, un grenier, un vide sanitaire ou un vide de construction. Seul un conduit d'évacuation métallique rigide ou flexible doit être utilisé pour le système d'évacuation. Ne pas utiliser de conduit de plastique ou de métal très mince.



- Utiliser uniquement un conduit d'évacuation en métal lourd de 4 po (102 mm) et des brides de serrage.
- Ne pas utiliser de conduit de plastique ou de métal très mince.

Conduit métallique rigide :

- Recommandé pour une performance de séchage idéale afin d'éviter tout écrasement ou déformation.

Conduit métallique flexible (acceptable seulement dans la mesure où il est accessible en vue du nettoyage) :

- Doit être entièrement déployé et soutenu à l'emplacement d'installation final de la sècheuse.
- Enlever tout excès de conduit flexible pour éviter tout affaissement et déformation susceptible de réduire la capacité d'évacuation et le rendement.
- Ne pas installer le conduit métallique flexible dans des cavités fermées de murs, plafonds ou planchers.
- La longueur totale ne doit pas dépasser 7 3/4 pi (2,4 m).
- La longueur du conduit métallique d'évacuation souple utilisé doit être prise en compte lors de la conception de l'ensemble du système d'évacuation, comme indiqué dans le « Tableau des systèmes d'évacuation ».

Système d'évacuation domestique :

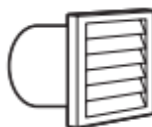
- Si l'on utilise un système d'évacuation domestique existant, nettoyer les charpies sur toute la longueur du système avant d'installer la sècheuse.
- S'assurer que les événements d'évacuation externes à l'extérieur de la maison ne sont pas obstrués par des charpies ou d'autres débris extérieurs.
- Remplacer tout conduit de plastique ou en aluminium par un conduit métallique rigide ou souple. Consulter à nouveau le « Tableau des systèmes d'évacuations » et modifier le système d'évacuation domestique existant au besoin pour obtenir un meilleur séchage.

Événements pour conduit d'évacuation :

- Terminer le conduit d'évacuation par un clapet de décharge pour empêcher les rongeurs et les insectes d'entrer dans la maison.
- Doit se trouver à au moins 12 po (305 mm) du plancher ou de tout objet susceptible d'obstruer l'ouverture d'évacuation (comme des fleurs, des pierres, des buissons ou de la neige).
- Ne pas utiliser un clapet d'évacuation à fermeture magnétique.

Styles recommandés :

Style acceptable :



Clapet à persiennes



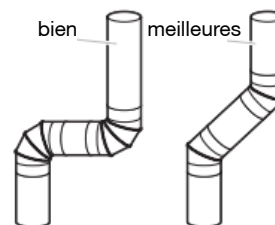
Clapet de type boîte



Hotte d'évacuation inclinée

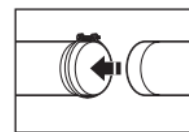
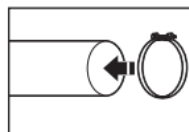
Coudes :

- Les coudes à 45° permettent une meilleure circulation de l'air que les coudes à 90°.



Brides de fixation :

- Utiliser des brides pour sceller tous les joints.
- Le conduit d'évacuation ne doit pas être raccordé ou fixé avec des vis ou tout autre dispositif de serrage qui se prolongerait à l'intérieur du conduit et retiendrait la charpie. Ne pas utiliser de ruban adhésif pour conduit.

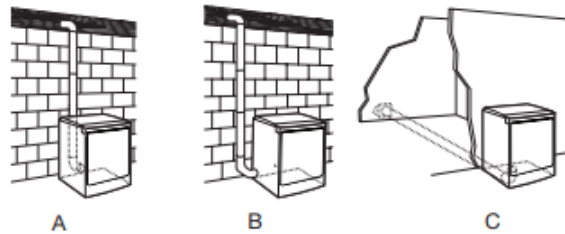


Le matériel d'évacuation peut être acheté auprès de votre revendeur. Pour obtenir les coordonnées et les informations de commande, consulter le guide de démarrage rapide.

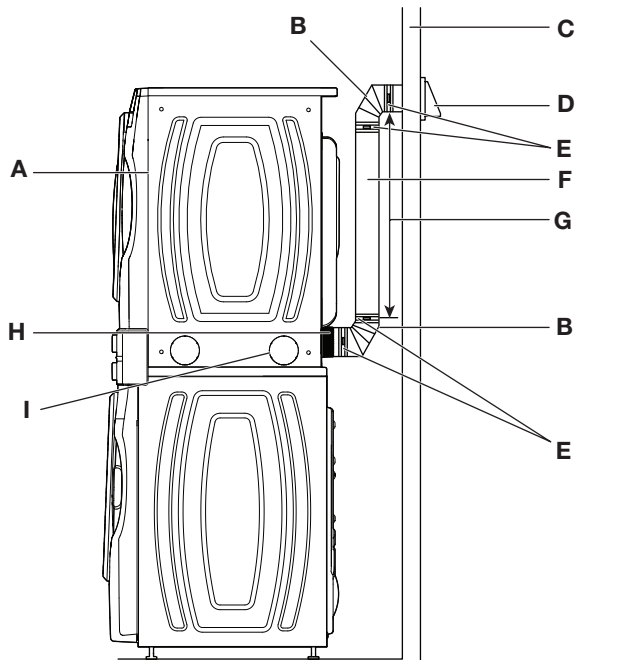
Planification des circuits de conduits

Installations d'évacuation recommandées :

Les installations typiques consistent à acheminer le conduit d'évacuation à l'arrière de la sécheuse. D'autres installations sont possibles.



- A. Installation avec acheminement standard du conduit d'évacuation par l'arrière
- B. Installation avec évacuation par la gauche ou par la droite (offert seulement sur certains modèles de 27 po de largeur).
- C. Installation avec évacuation par le bas (offert seulement sur certains modèles de 27 po de largeur).



- | | |
|-------------------------------------|--|
| A. Sécheuse | F. Conduit d'évacuation métallique rigide ou flexible |
| B. Coude | G. Longueur de conduit d'évacuation nécessaire pour le raccordement des coudes |
| C. Mur | H. Bouche de décharge |
| D. Évents pour conduit d'évacuation | I. Bouche d'évacuation latérale facultative |
| E. Brides de fixation | |

Installations d'évacuation facultatives :

⚠ AVERTISSEMENT

Risque d'incendie

Couvrir les trous d'évacuation inutilisés en utilisant la trousse d'obturation du fabricant.

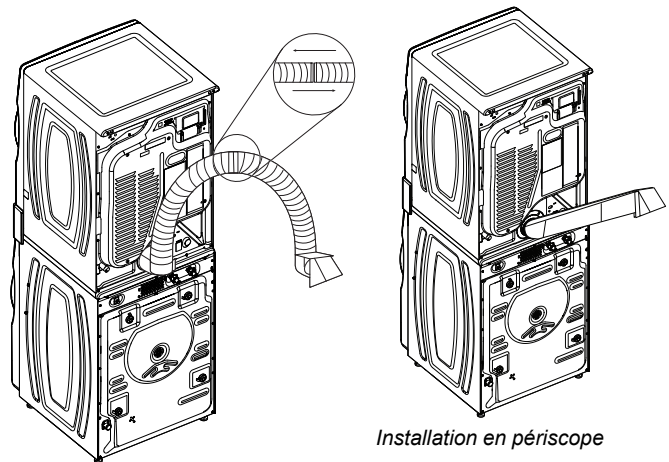
Contactez votre marchand local.

Le non-respect de ces instructions peut causer un décès, un incendie, une décharge électrique ou une blessure grave.

Autres installations avec dégagement réduit

Il existe de nombreux systèmes d'évacuation. Choisir le système qui convient le mieux à l'installation. Deux installations à dégagement réduit sont illustrées.

REMARQUE : On peut acheter les trousse suivantes pour les installations où le dégagement est réduit. Consulter le guide de démarrage rapide pour les coordonnées.



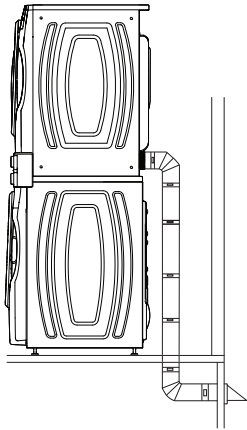
Installation au-dessus de l'ensemble (aussi disponible avec un coude décalé)

Installation en périscope

Certains modèles peuvent être convertis pour évacuer par le côté droit, le côté gauche ou par le bas. L'on peut, de préférence, contacter le détaillant local pour convertir la sécheuse.

Dispositions spéciales pour les installations dans une maison mobile :

Le système d'évacuation doit être solidement fixé à une section non combustible de la structure de la résidence mobile et ne doit pas se terminer en dessous de la résidence mobile. Acheminer le conduit d'évacuation vers l'extérieur.



Déterminer l'itinéraire d'acheminement du conduit :

- Choisir l'itinéraire d'acheminement vers l'extérieur qui sera le plus direct et le plus rectiligne.
- Planifier l'installation de façon à introduire un nombre minimal de coudes et de changements de direction.
- Si des coudes ou changements de direction sont utilisés, prévoir autant d'espace que possible.
- Plier le conduit graduellement pour éviter de le déformer.
- Utiliser le moins possible de changements de direction à 90°.

Déterminer la longueur du conduit et les coudes nécessaires pour la meilleure performance de séchage :

- Utiliser le « Tableau des systèmes d'évacuation » suivant pour déterminer le type de matériel d'évacuation et les combinaisons de clapets acceptables.

REMARQUE : Ne pas utiliser de conduits de longueur supérieure à la valeur spécifiée dans le « Tableau des systèmes d'évacuation ». Si la longueur du circuit est supérieure à la valeur spécifiée dans le tableau, on observera :

- Un cycle de vie réduit de la sècheuse.
- Une réduction du rendement, avec des durées de séchage plus longues et une plus grande consommation d'énergie.

Le « Tableau des systèmes d'évacuation » indique les critères d'évacuation qui vous aideront à obtenir une performance de séchage idéale.

Tableau des systèmes d'évacuation		
Nombre de changements de direction à 90° ou coudes	Type de conduit d'évacuation	Clapets de type boîte, à persiennes ou inclinés
0	Métallique rigide	64 pi (20 m)
1	Métallique rigide	54 pi (16,5 m)
2	Métallique rigide	44 pi (13,4 m)
3	Métallique rigide	35 pi (10,7 m)
4	Métallique rigide	27 pi (8,2 m)

REMARQUE : Les installations d'évacuation du conduit par le côté ou par le bas comportent un changement de direction à 90° à l'intérieur de la sècheuse. Pour établir la longueur maximale du conduit, ajouter un changement de direction à 90° au tableau.

Coudes supplémentaires

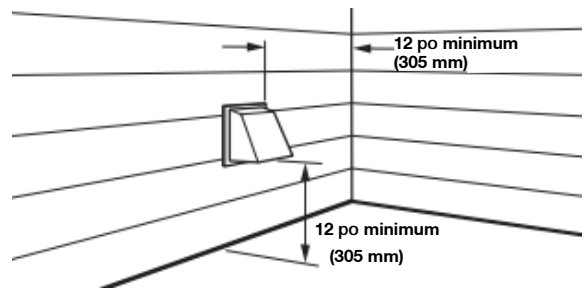
Dans les situations où les instructions d'installation n'indiquent pas de longueur d'évacuation pour un nombre précis de coudes requis pour une utilisation particulière, les calculs suivants peuvent être utilisés. (La longueur totale du système d'évacuation comprend toutes les portions droites et en coude du système d'évacuation) :

- Pour des coudes à 90°, réduire la longueur permise du système d'évacuation de 10 pi (3,05 m).
- Pour des coudes à 45°, réduire la longueur permise du système d'évacuation de 6 pi (1,83 m).

Par exemple, si les instructions d'installation indiquent que la longueur totale du système d'évacuation de la sècheuse peut être de 40 pi (12,2 m) avec deux coudes de 90°, la longueur totale permise du système de ventilation sera réduite de 20 pi (6,0 m) (de 40 pi [12,2 m] à 20 pi [6,0 m]).

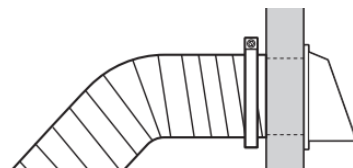
Installation du conduit d'évacuation

1. Installer le clapet d'évacuation



Installer le clapet d'évacuation et utiliser un composé de calfeutrage pour calfeutrer le côté extérieur de l'ouverture murale autour du clapet d'évacuation.

2. Raccorder le conduit d'évacuation au clapet



Le conduit doit être placé par-dessus le clapet d'évacuation. Fixer ensemble le conduit et le clapet avec une bride de 4 po (102 mm). Acheminer le conduit jusqu'à l'emplacement de la sècheuse en utilisant le chemin le plus rectiligne possible. Éviter les changements de direction à 90°. Utiliser des brides pour sceller tous les joints. Ne pas utiliser de ruban adhésif pour conduit, de vis ou autres dispositifs de fixation qui se prolongeraient à l'intérieur du conduit pour fixer le conduit d'évacuation; ceux-ci pourraient retenir la charpie.

Spécifications électriques de la laveuse

AVERTISSEMENT



Risque de décharge électrique

Brancher l'appareil sur une prise à 3 alvéoles reliée à la terre.

Ne pas enlever la prise de liaison à la terre.

Ne pas utiliser d'adaptateur.

Ne pas utiliser de rallonge.

Le non-respect de ces instructions peut causer un décès, un incendie ou une décharge électrique.

- Une source d'alimentation de 120 V CA à 60 Hz uniquement et protégée par fusible de 15 ou 20 A est nécessaire. On recommande d'utiliser un fusible ou un disjoncteur temporisé. Il est recommandé de raccorder l'appareil sur un circuit distinct exclusif à cet appareil.
- Cette laveuse comporte un cordon d'alimentation électrique à trois broches pour liaison à la terre.
- Pour réduire le risque de décharge électrique, on doit brancher le cordon sur une prise de courant de configuration correspondante, à 3 alvéoles, reliée à la terre et installée conformément aux codes et règlements locaux. Si une prise de courant de configuration correspondante n'est pas accessible, le client a la responsabilité et l'obligation de faire installer par un électricien qualifié une prise de courant correctement reliée à la terre.
- Si les codes le permettent et si on utilise un conducteur distinct de mise à la terre, il est recommandé qu'un électricien qualifié vérifie la qualité de la mise à la terre.
- Ne pas utiliser une tuyauterie de gaz pour le raccordement à la terre.
- En cas de doute quant à la qualité de la mise à la terre de la laveuse, consulter un électricien qualifié.
- Ne pas installer un fusible dans le conducteur neutre ou le circuit de mise à la terre.
- Cet appareil possède deux raccordements pour l'alimentation électrique. Chaque appareil doit être raccordé à un circuit protégé de façon individuelle. La laveuse et la sécheuse doivent être branchées sur des circuits individuels.

INSTRUCTIONS DE LIAISON À LA TERRE

Pour un appareil avec liaison à la terre et cordon d'alimentation :

Cet appareil doit être relié à la terre. En cas d'anomalie de fonctionnement ou de panne, la liaison à la terre réduira le risque de décharge électrique en offrant au courant électrique un itinéraire d'évacuation de moindre résistance. L'appareil est doté d'un cordon électrique comportant un conducteur de mise à la terre d'équipement et une fiche de branchement de liaison à la terre. La fiche doit être branchée sur une prise de courant appropriée qui soit bien installée et reliée à la terre conformément à tous les codes et règlements locaux.

AVERTISSEMENT : Un raccordement inapproprié du conducteur de mise à la terre de l'équipement peut causer un risque de décharge électrique. En cas de doute quant à la qualité de la mise à la terre de l'appareil, consulter un électricien ou un technicien d'entretien qualifié. Ne pas modifier la fiche fournie avec cet appareil : Si elle ne correspond pas à la prise de sortie, faire installer une fiche appropriée par un électricien qualifié.

CONSERVER CES INSTRUCTIONS

Spécifications électriques de la sécheuse – É.-U. Spécifications électriques de la sécheuse – Canada

Spécifications électriques – É.-U.

C'est à l'utilisateur qu'incombe la responsabilité de :

- Contacter un électricien qualifié.
- S'assurer que le raccordement électrique est adéquat et conforme au code national de l'électricité, ANSI/NFPA 70 – dernière édition, et à tous les codes et règlements locaux en vigueur. Le National Electrical Code impose un raccordement à 4 fils de l'alimentation électrique pour les maisons construites après 1996, les circuits de sécheuse modifiés après 1996 et toutes les installations de maisons mobiles. Pour obtenir un exemplaire des normes des codes ci-dessus, contacter : National Fire Protection Association, One Batterymarch Park, Quincy, MA 02169-7471.
- L'appareil doit être alimenté uniquement par un circuit monophasé à 3 ou 4 fils de 120/240 V CA, 60 Hz (ou 3 ou 4 fils, 120/208 V, si précisé sur la plaque signalétique) sur un circuit séparé et protégé par un fusible ou un disjoncteur de 30 A sur chacun des 2 câbles. On recommande également que cet appareil soit alimenté par un circuit indépendant. Ne pas avoir de fusible dans le circuit neutre ou de liaison à la terre.
- Ne pas utiliser de câble de rallonge.
- Si les codes le permettent et si on utilise un conducteur distinct de liaison à la terre, il est recommandé qu'un électricien qualifié vérifie la qualité de la liaison à la terre.

Raccordement électrique

Pour installer la sècheuse de façon appropriée, il faut établir le type de raccords électriques que l'on utilisera et suivre les instructions de ce document.

- Cette sècheuse est prête à l'installation avec un raccordement à l'alimentation électrique à 3 fils. Le fil neutre est définitivement raccordé au conducteur neutre (fil blanc) à l'intérieur de la sècheuse. Si les codes d'électricité locaux demandent l'utilisation d'un disjoncteur différentiel de fuite à la terre, l'appareil doit être installé avec un raccordement à 4 fils à l'alimentation électrique. Le fil de terre neutre doit être retiré de la vis du connecteur de terre externe (vis verte) et fixé sous la borne du neutre (fil du centre ou blanc) du bornier. Lorsque le fil neutre est fixé sous la borne du neutre (fil du centre ou blanc) du bornier, la caisse de la sècheuse est isolée du conducteur neutre. Le conducteur vert de mise à la terre du cordon d'alimentation à 4 conducteurs doit être fixé à la caisse de la sècheuse à l'aide de la vis verte de liaison à la terre
- Si les codes locaux n'autorisent pas le raccordement d'un conducteur neutre au fil neutre, voir le point « Raccordement optionnel à 3 fils ».
- Un raccordement à 4 fils de l'alimentation électrique doit être utilisé lorsque l'appareil est installé dans un lieu où la mise à la terre par le conducteur neutre est interdite. Il est interdit de relier l'appareil à la terre par l'intermédiaire du conducteur neutre dans les cas suivants : (1) nouvelle installation de circuit secondaire effectuée après 1996, (2) maison mobile, (3) véhicule de loisirs, et (4) juridictions dans lesquelles le code local interdit la liaison à la terre par l'intermédiaire du conducteur neutre.

En cas d'utilisation d'un cordon d'alimentation :

Utiliser un ensemble de cordon d'alimentation électrique homologué UL marqué pour utilisation avec les sècheuses à vêtements. L'ensemble doit contenir :

- Un cordon d'alimentation électrique homologué UL de 30 A, 120/240 V minimum. Le câble doit être de type SRD ou SRDT et mesurer au moins 4 pi (1,22 m) de long. Les fils raccordés à la sècheuse doivent se terminer par des cosses rondes ou à fourche à pointes relevées.
- Un serre-câbles (homologation UL).

Si la prise murale ressemble à ceci :



Prise murale à 4 fils (14-30R)

Choisir un câble d'alimentation à 4 fils avec cosses rondes ou à fourche et un serre-câbles homologué UL. Le câble d'alimentation électrique à 4 fils, d'au moins 4 pi (1,22 m) de long, doit comporter 4 fils en cuivre de calibre 10 et pouvoir se brancher sur une prise à 4 fils de type NEMA 14-30 R. Le fil de liaison à la terre (le conducteur de liaison à la terre) peut être vert ou nu. Le conducteur neutre doit être identifié par une gaine blanche.

Si la prise murale ressemble à ceci :



Prise murale à 3 fils (10-30R)

Choisir un câble d'alimentation à 3 fils avec cosses rondes ou à fourche et un serre-câbles homologué UL. Le cordon d'alimentation électrique à 3 fils, d'au moins 4 pi (1,22 m) de long, doit comporter trois fils en cuivre torsadés de calibre no 10 et une fiche à 3 fils correspondante de type NEMA 10-30R.

Pour le raccordement direct :

Le câble d'alimentation doit correspondre à l'alimentation électrique (4 fils ou 3 fils) et être :

- Un câble en cuivre à gaine non métallique ou blindé souple (avec fil de mise à la terre), avec conduit métallique flexible. Tous les fils sous tension doivent être isolés.
- Fil en cuivre plein de calibre 10 (ne pas utiliser d'aluminium) d'au moins 5 pi (1,52 m) de long.

INSTRUCTIONS DE LIAISON À LA TERRE

Pour un appareil avec liaison à la terre et cordon d'alimentation :

Cet appareil doit être relié à la terre. En cas d'anomalie de fonctionnement ou de panne, la liaison à la terre réduira le risque de décharge électrique en offrant au courant électrique un itinéraire d'évacuation de moindre résistance. L'appareil est doté d'un cordon électrique comportant un conducteur de mise à la terre d'équipement et une fiche de branchement de liaison à la terre. La fiche doit être branchée sur une prise de courant appropriée qui soit bien installée et reliée à la terre conformément à tous les codes et règlements locaux.

AVERTISSEMENT : Un raccordement inapproprié du conducteur de mise à la terre de l'équipement peut causer un risque de décharge électrique. En cas de doute quant à la qualité de la mise à la terre de l'appareil, consulter un électricien ou un technicien d'entretien qualifié. Ne pas modifier la fiche fournie avec cet appareil : Si elle ne correspond pas à la prise de sortie, faire installer une fiche appropriée par un électricien qualifié.

Pour un appareil raccordé en permanence :

Cet appareil doit être raccordé à un système de câblage permanent en métal relié à la terre, ou un conducteur de mise à la terre d'équipement doit être en fonction avec les conducteurs de circuit, et raccordé à la borne de mise à la terre d'équipement ou la borne sur l'appareil ménager.

CONSERVER CES INSTRUCTIONS

Spécifications électriques – Canada

⚠ AVERTISSEMENT



Risque de décharge électrique

Brancher l'appareil sur une prise à 4 alvéoles reliée à la terre.

Le non-respect de cette instruction peut causer un décès ou une décharge électrique.

C'est à l'utilisateur qu'incombe la responsabilité de :

- Contacter un électricien qualifié.
- S'assurer que le raccordement électrique est adéquat et conforme à la dernière édition du Canadian Electrical Code, C22.1, et à tous les codes et règlements locaux en vigueur. Pour obtenir un exemplaire des normes des codes ci-dessus, contacter : Canadian Standards Association 178 Rexdale Blvd, Toronto, ON M9W 1R3 CANADA.
- L'appareil doit être alimenté uniquement par un circuit monophasé de 120/240 V CA uniquement de 60 Hz à 4 fils, sur un circuit séparé de 30 A, protégé par fusible aux deux extrémités de la ligne. On recommande d'utiliser un fusible ou un disjoncteur temporisé. On recommande également que cet appareil soit alimenté par un circuit indépendant.
- • Cette sècheuse est munie d'un cordon d'alimentation certifié UL ou CSA International Certified conçu pour être branché dans un réceptacle mural 14-30R standard. Le cordon mesure 5 pi (1,52 m). Veiller à ce que la prise murale se trouve à proximité de l'emplacement définitif de la sècheuse.
- Si les codes le permettent et si on utilise un conducteur distinct de mise à la terre, il est recommandé qu'un électricien qualifié vérifie la qualité de la mise à la terre.
- Ne pas utiliser de câble de rallonge.
Pour plus d'informations ou pour obtenir un remplacement du cordon d'alimentation, consulter les coordonnées figurant dans le guide de démarrage rapide.



Prise murale à 4 conducteurs (14-30R)

INSTRUCTIONS DE LIAISON À LA TERRE

Pour un appareil avec liaison à la terre et cordon d'alimentation :

Cet appareil doit être relié à la terre. En cas d'anomalie de fonctionnement ou de panne, la liaison à la terre réduira le risque de décharge électrique en offrant au courant électrique un itinéraire d'évacuation de moindre résistance. L'appareil est doté d'un cordon électrique comportant un conducteur de mise à la terre d'équipement et une fiche de branchement de liaison à la terre. La fiche doit être branchée sur une prise de courant appropriée qui soit bien installée et reliée à la terre conformément à tous les codes et règlements locaux.

AVERTISSEMENT : Un raccordement inapproprié du conducteur de mise à la terre de l'équipement peut causer un risque de décharge électrique. En cas de doute quant à la qualité de la mise à la terre de l'appareil, consulter un électricien ou un technicien d'entretien qualifié. Ne pas modifier la fiche fournie avec cet appareil; si elle ne correspond pas à la prise de sortie, faire installer une prise appropriée par un électricien qualifié.

CONSERVER CES INSTRUCTIONS

INSTALLATION

Déballage

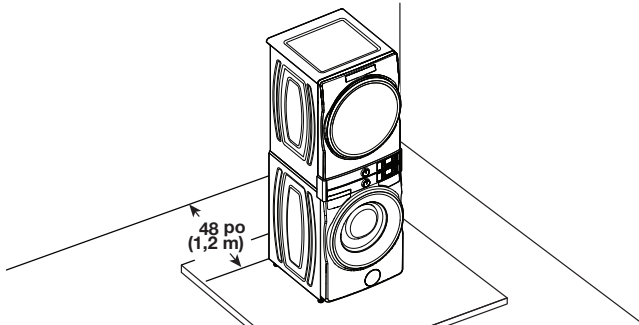
⚠ AVERTISSEMENT

Risque de poids excessif

Utiliser deux personnes ou plus pour déplacer et installer l'appareil.

Le non-respect de cette instruction peut causer une blessure au dos ou d'autres blessures.

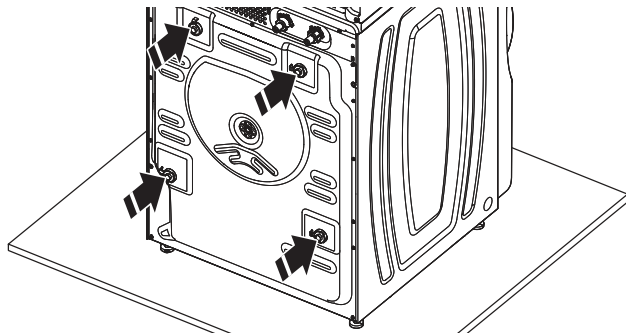
1. Déplacer l'ensemble de buanderie superposé



Il est nécessaire de retirer tout le matériel d'expédition pour un bon fonctionnement et pour éviter que l'ensemble de buanderie superposé et ne fasse trop de bruit.

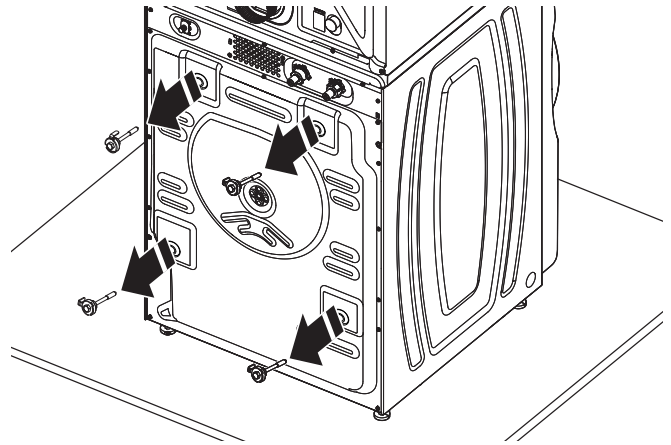
Approcher l'ensemble de buanderie superposé jusqu'à environ 4 pi (1,2 m) de son emplacement d'installation final. Il doit être en position debout.

2. Localiser les boulons de transport



Repérer les quatre boulons de transport à l'arrière de la laveuse.

3. Retirer les boulons de transport de la laveuse

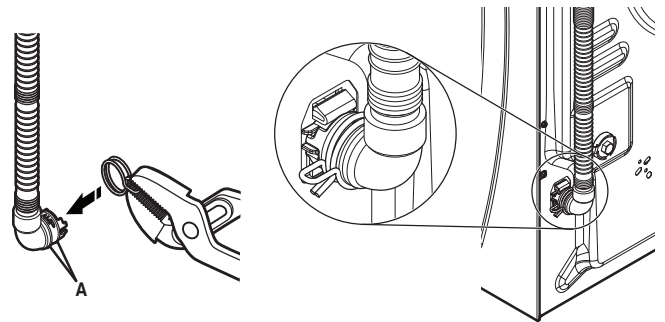


Desserrer les boulons avec une clé à molette de 5/8 po (16 mm). Glisser chaque boulon et cale au centre du trou. Retirer les boulons et cales d'espacement en plastique de l'arrière de la laveuse. Jeter les boulons et cales d'espacement.

IMPORTANT : Ne pas brancher la laveuse avant la fin de l'installation.

Raccordement du tuyau de vidange

4. Fixation du tuyau de vidange à l'orifice de vidange



A – Côtes

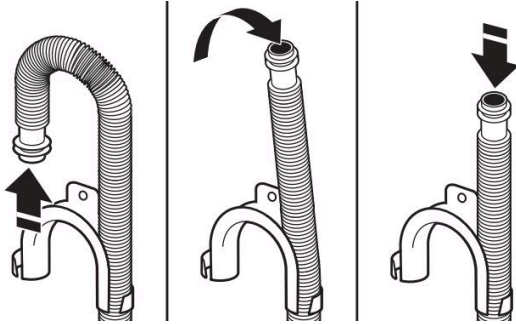
Si la bride n'est pas déjà installée sur l'extrémité coudée du tuyau de vidange, serrer la bride avec une pince et faire glisser la bride sur l'extrémité du tuyau en la centrant entre les rainures comme illustré. Serrer la bride avec une pince et faire glisser l'extrémité coudée du tuyau de vidange sur l'orifice de vidange de la laveuse, puis fixer avec la bride.

Pour un évier de buanderie ou un tuyau de rejet à l'égout rigide, passer à l'étape 6.

Pour une vidange au plancher, retirer la bride retenue pour tuyau de vidange préinstallée, comme indiqué à l'étape 5. Des pièces supplémentaires avec des directives distinctes seront peut-être nécessaires. Voir la section « Pièces supplémentaires ».

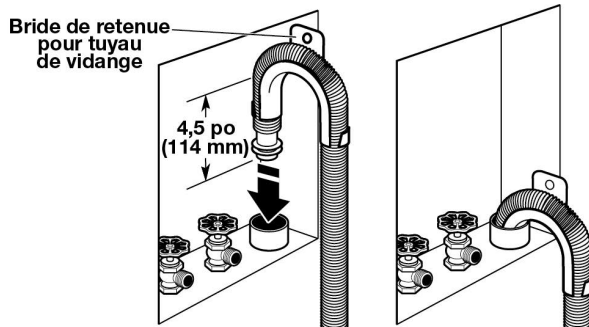
Il incombe à l'installateur d'installer et de fixer solidement le tuyau de vidange à la canalisation d'évacuation de manière que le tuyau de vidange ne puisse sortir et causer d'éventuelles fuites de la canalisation d'évacuation.

5. Retirer le tuyau de vidange (installation avec vidange au plancher uniquement)



Pour les installations avec vidange au plancher, il faut retirer la bride de retenue pour tuyau de vidange de l'extrémité du tuyau de vidange. Des pièces supplémentaires avec des directives distinctes seront peut-être nécessaires; consulter le Guide de démarrage rapide.

6. Placer le tuyau de vidange dans le tuyau de rejet à l'égout



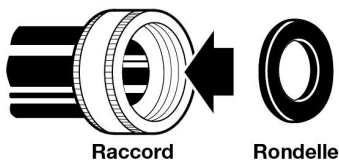
Placer le tuyau dans le tuyau de rejet à l'égout (illustré à l'image) ou par-dessus le côté de l'évier de buanderie.

IMPORTANT : 4,5 po (114 mm) de tuyau de vidange soit se trouver à l'intérieur du tuyau de rejet à l'égout; ne pas forcer l'excédent du tuyau dans le tuyau de rejet à l'égout ni le placer dans l'évier de buanderie. On doit utiliser la bride de retenue pour tuyau de vidange.

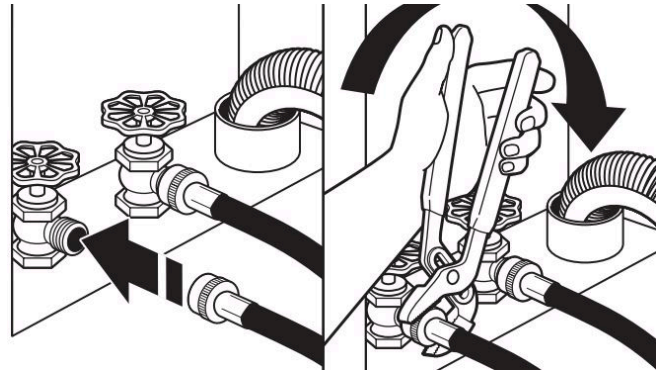
Raccordement des tuyaux d'alimentation

IMPORTANT : Afin d'éviter toute fuite, vérifier que les tuyaux d'arrivée d'eau comportent des rondelles d'étanchéité plates aux deux extrémités. La laveuse doit être raccordée aux robinets d'eau à l'aide des tuyaux d'arrivée d'eau et des rondelles neufs (non compris). Ne pas utiliser de tuyaux usagés. Ne pas utiliser de tuyaux sans installer de rondelles d'étanchéité.

7. Insérer les rondelles plates neuves



8. Connecter les tuyaux d'arrivée d'eau aux robinets



IMPORTANT : Ne pas serrer excessivement ni utiliser de ruban adhésif ou de dispositifs d'étanchéité lors de la fixation des robinets ou de la machine. Cela pourrait entraîner des dommages.

Fixer le tuyau dont l'étiquette porte la mention « hot » (chaud) au robinet d'eau chaude. Visser le raccord à la main pour qu'il repose sur la rondelle. Serrer les raccords de deux tiers de tour supplémentaires à l'aide d'une pince. Répéter cette étape avec le tuyau portant la mention « cold » (froide) pour le robinet d'eau froide. Les deux tuyaux doivent être raccordés pour que la laveuse fonctionne correctement.

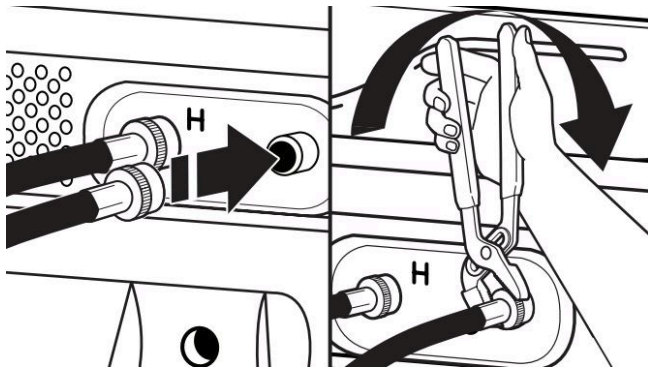
CONSEIL UTILE : Repérer quel tuyau est raccordé à l'eau chaude pour permettre une fixation correcte des tuyaux à la machine. Dans la plupart des configurations standard, les tuyaux se croisent lorsqu'ils sont fixés correctement.

9. Purger les canalisations d'eau



Faire couler de l'eau dans les tuyaux de l'évier de buanderie, le tuyau rigide de rejet à l'égout ou le seau pendant quelques secondes pour éviter toute obstruction. On doit laisser couler l'eau jusqu'à ce qu'elle soit limpide.

10. Connecter les tuyaux d'arrivée d'eau à la laveuse

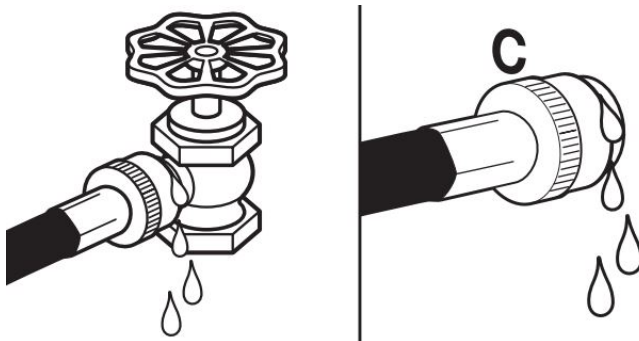


IMPORTANT : Pour réduire le risque de défaillance des tuyaux, remplacer les tuyaux tous les 5 ans. Inscrive la date d'installation ou de remplacement des tuyaux pour référence ultérieure.

- Ne pas serrer excessivement le tuyau ou utiliser du ruban adhésif ou un calfeutrant sur le robinet. Les robinets risquent d'être endommagés.
- Inspecter périodiquement les tuyaux et les remplacer en cas de renflement, de déformation, de coupure, d'usure ou de fuite.

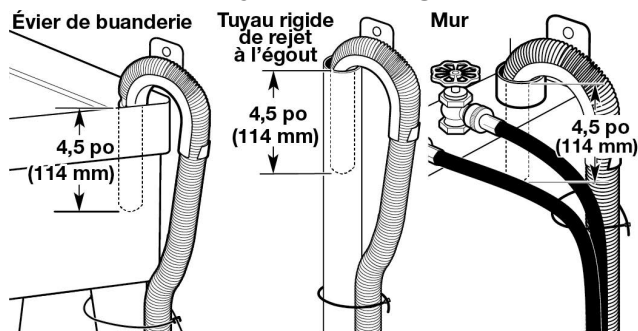
Fixer le tuyau d'eau chaude au robinet d'arrivée d'eau chaude. Visser le raccord à la main jusqu'à ce qu'il soit bien serré. Serrer les raccords de deux tiers de tour supplémentaires à l'aide d'une pince réglable. Répéter pour le robinet d'eau froide.

11. Recherche de fuites



Ouvrir doucement les robinets d'eau pour vérifier qu'il n'y a pas de fuites. Une petite quantité d'eau peut entrer dans la laveuse. Elle s'évacuera plus tard.

12. Immobiliser le tuyau de vidange

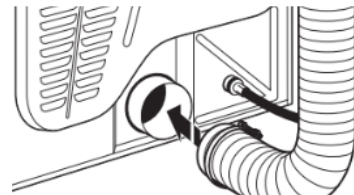


Fixer le tuyau de vidange avec le serre-câbles ou la fixation perlée au pied de l'évier de buanderie, au tuyau rigide de rejet à l'égout ou aux tuyaux d'arrivée d'eau pour le tuyau de rejet à l'égout mural rigide.

Il incombe à l'installateur d'installer et de fixer solidement le tuyau de vidange à la canalisation d'évacuation de manière que le tuyau de vidange ne puisse sortir et causer d'éventuelles fuites de la canalisation d'évacuation.

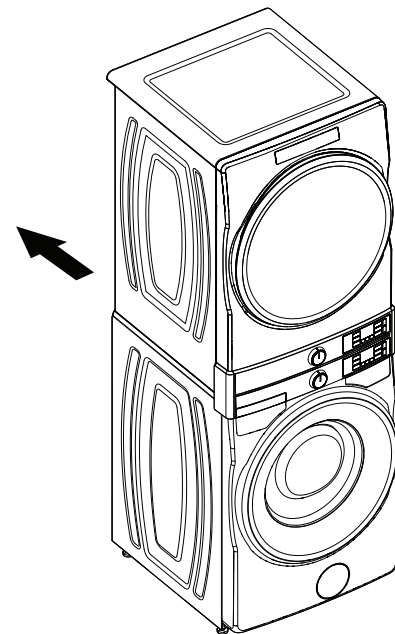
Raccordement du conduit d'évacuation

1. Raccorder le conduit d'évacuation au clapet d'évacuation



À l'aide d'une bride de fixation de 4 po (102 mm), relier le conduit d'évacuation à la bouche d'évacuation de la sècheuse. Si l'on réalise le raccordement au conduit d'évacuation existant, s'assurer que celui-ci est propre. Le conduit d'évacuation doit être fixé par-dessus la bouche d'évacuation de la sècheuse et à l'intérieur du clapet d'évacuation. S'assurer que le conduit d'évacuation est fixé au clapet d'évacuation à l'aide d'une bride de fixation de 4 po (102 mm).

2. Placer la sècheuse à son emplacement final



Placer la sècheuse à son emplacement final. Éviter d'écraser ou de déformer le conduit d'évacuation. Une fois la sècheuse en place, retirer les cornières et le carton sous la sècheuse.

Installation électrique – É.-U.

⚠ AVERTISSEMENT



Risque d'incendie

Pour une utilisation avec cordon d'alimentation, utiliser un nouveau cordon d'alimentation de 30 A homologué UL.

Pour un raccordement direct, utiliser un fil de cuivre de calibre 10.

Utiliser un serre-câbles homologué UL.

Déconnecter la source de courant électrique avant de réaliser les connexions électriques.

Connecter le conducteur neutre (blanc ou conducteur central) à la borne centrale (argent).

Connecter le conducteur de liaison à la terre (vert ou nu) au connecteur vert de liaison à la terre.

Connecter les 2 conducteurs d'alimentation restants aux 2 bornes (or) restantes.

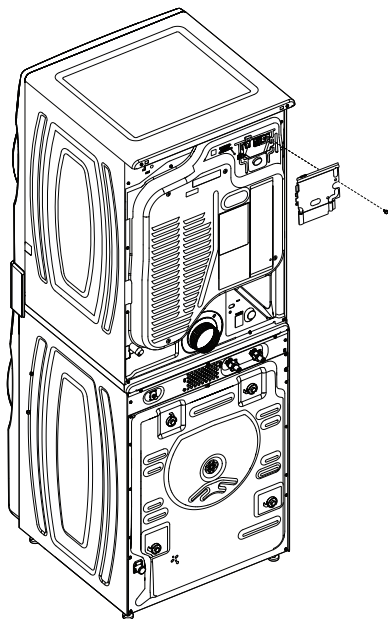
Bien serrer toutes les connexions électriques.

Le non-respect de ces instructions peut causer un décès, un incendie ou une décharge électrique.

1. Déconnecter la source de courant électrique

2. Retirer le couvercle du bornier

REMARQUE : Le couvercle du bornier peut se trouver à un autre endroit.



Retirer la vis de retenue et le couvercle du bornier.

3. Choisir le type de raccordement électrique



Prise de courant à 4 conducteurs (NEMA type 14-30R) : Se référer à la section « Raccordement du câble d'alimentation à 4 fils ». Ensuite, aller à la section « Critères d'évacuation ».



Prise de courant à 3 conducteurs (NEMA type 10-30R) : Se référer à la section « Raccordement du câble d'alimentation à 3 fils ». Ensuite, aller à la section « Critères d'évacuation ».



Raccordement direct à 4 fils : Passer à la section « Serre-câbles pour raccordement direct », puis « Raccordement direct à 4 fils », puis passer à la section « Critères d'évacuation ».



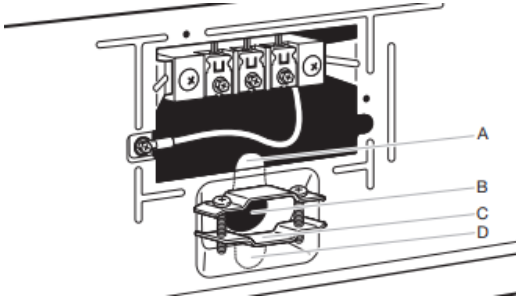
Raccordement direct à 3 fils : Passer à la section « Serre-câbles pour raccordement direct », puis « Raccordement direct à 3 fils », puis passer à la section « Critères d'évacuation ».

REMARQUE : Si les codes locaux n'autorisent pas le raccordement d'un conducteur de masse de la caisse au fil neutre, voir la section « Raccordement optionnel à 3 fils ». Ce raccordement peut servir pour un cordon d'alimentation ou une connexion directe des conducteurs.

Raccordement du cordon d'alimentation

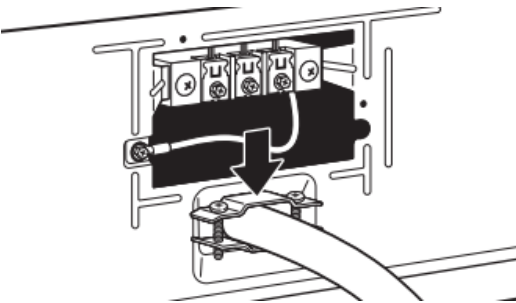
Serre-câbles du cordon d'alimentation

1. Fixer le serre-câbles du câble d'alimentation



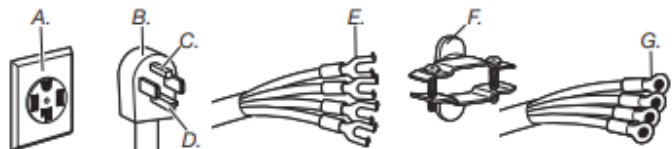
Retirer les vis d'un serre-câbles homologué UL de 3/4 po (19 mm) UL (inscription UL sur le serre-câbles). Placer les languettes des deux moitiés de pince (C) dans le trou sous l'ouverture du bornier (B), de sorte qu'une d'entre elles pointe vers le haut (A) et l'autre vers le bas (D). Maintenir en place. Serrer les vis du serre-câbles juste assez pour maintenir ensemble les deux moitiés de pince (C).

2. Fixer le serre-câbles du câble d'alimentation



Passer le cordon d'alimentation à travers le serre-câbles. Vérifier que la gaine d'isolement du cordon d'alimentation rentre à l'intérieur du serre-câbles. Le serre-câbles doit être bien relié à la caisse de la sècheuse et se trouver en position horizontale. Serrer la vis du serre-câbles autour du cordon d'alimentation. Ne pas serrer excessivement les vis du serre-câbles.

IMPORTANT : Un raccordement à 4 fils est obligatoire pour les maisons mobiles et lorsque les codes locaux n'autorisent pas l'utilisation de raccordements à 3 fils.



A. Prise murale à 4 fils (type NEMA 14-30R)

B. Prise à 4 broches

C. Broche de liaison à la terre

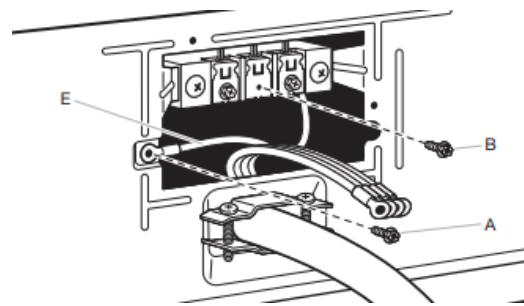
D. Broche pour neutre

E. Cosses en fourche à pointes relevées

F. Serre-câbles (homologation UL de 3/4 po (19 mm))

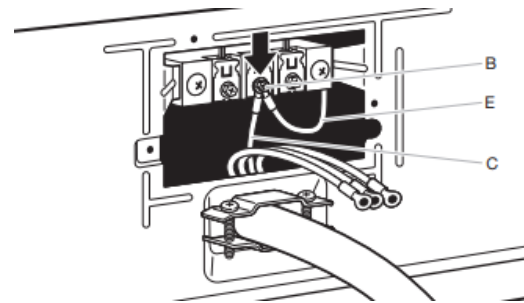
G. Cosses rondes

3. Préparer l'installation du fil de mise à la terre de l'appareil



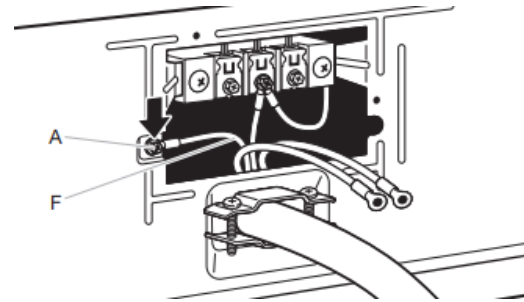
Retirer la vis de la borne centrale (B). Retirer le conducteur neutre (E) de la vis du conducteur de terre externe verte (A).

4. Connecter le conducteur neutre et le conducteur neutre



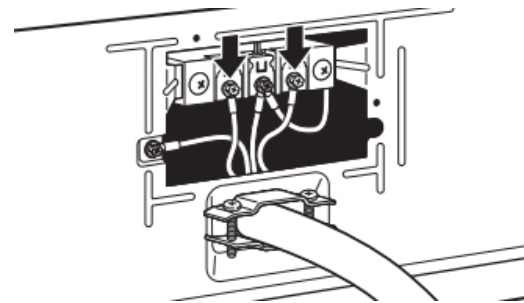
Connecter le conducteur neutre (E) et le conducteur neutre (blanc ou centre) (C) du câble d'alimentation sous la vis de la borne centrale (B). Serrer la vis.

5. Connecter le conducteur de liaison à la terre



Connecter le conducteur (vert ou nu) de liaison à la terre (F) du câble d'alimentation sous la vis du conducteur de liaison à la terre externe (A). Serrer la vis.

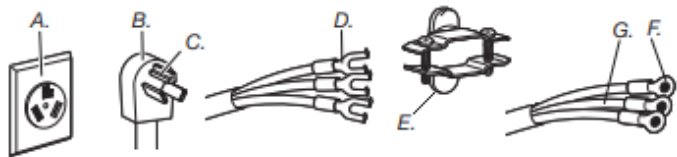
6. Connecter les conducteurs restants



Connecter les conducteurs restants sous les vis les plus à l'extérieur du bornier. Serrer les vis. Placer la languette du couvercle du bornier dans la fente du panneau arrière de la sècheuse. Fixer le couvercle avec la vis de retenue. Ensuite, aller à la section « Exigences concernant l'évacuation ».

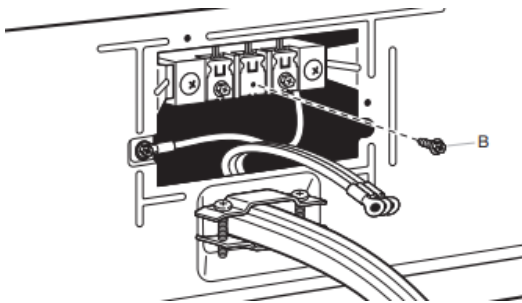
Raccordement du câble d'alimentation à 3 fils

IMPORTANT : À utiliser lorsque les codes locaux autorisent la connexion du conducteur de masse de la caisse au conducteur neutre.



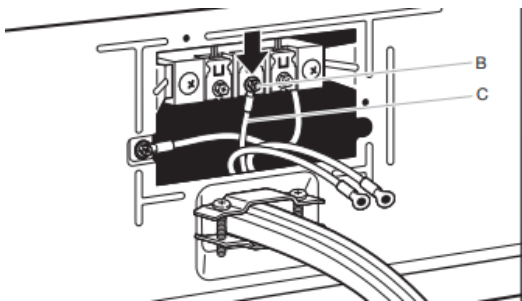
- A. Prise murale à 3 fils (type NEMA 10-30R)
B. Fiche à 3 broches
C. Broche pour neutre
D. Cosses en fourche à pointes relevées
E. Serre-câbles (homologation UL) de 3/4 po (19 mm)
F. Cosses rondes
G. Neutre (fil blanc ou central)

3. Retirer la vis centrale



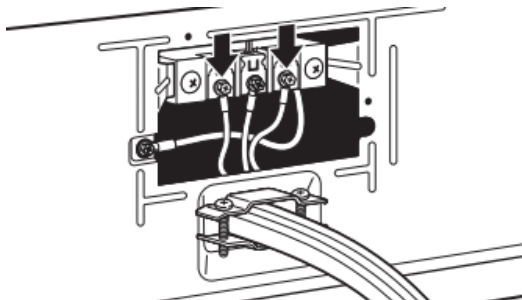
Retirer la vis de la borne centrale (B).

4. Connecter le conducteur neutre



Connecter le conducteur neutre (blanc ou central) (C) du câble d'alimentation sous la vis de la borne centrale (B). Serrer la vis.

5. Connecter les conducteurs restants

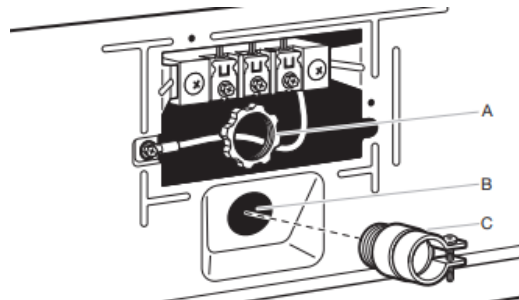


Connecter les conducteurs restants sous les vis les plus à l'extérieur du bornier. Serrer les vis. Placer la languette du couvercle du bornier dans la fente du panneau arrière de la sècheuse. Fixer le couvercle avec la vis de retenue. Ensuite, aller à la section « Exigences concernant l'évacuation ».

Méthode de raccordement direct

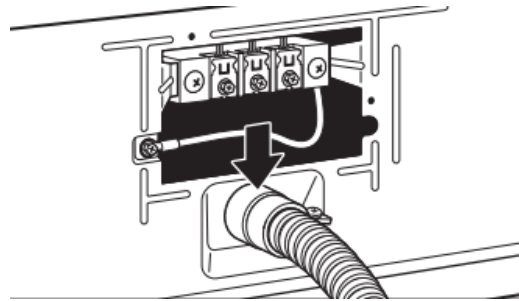
Serre-câbles pour raccordement direct

1. Fixer le serre-câbles pour raccordement direct



Dévisser le raccord de conduit amovible (A) et les vis d'un serre-câbles homologué UL (inscription UL sur le serre-câbles) de 3/4 po (19 mm). Visser la partie filetée du serre-câbles dans le trou sous l'ouverture du bornier (B). En passant par l'ouverture du bornier, visser le connecteur de conduit amovible (A) sur le filetage du serre-câbles (C) et bien serrer.

2. Fixer le câble à raccordement direct au serre-câbles



Passer le câble à raccordement direct à travers le serre-câbles. Le serre-câbles doit être bien relié à la caisse de la sècheuse et se trouver en position horizontale. Serrer la vis du serre-câbles autour du câble à raccordement direct.

Pour le raccordement direct à 4 conducteurs, continuer à l'étape 3.



Raccordement direct à 4 fils : Aller à la section « Raccordement direct à 4 fils ».

Pour le raccordement direct à 3 conducteurs, continuer à l'étape 3.

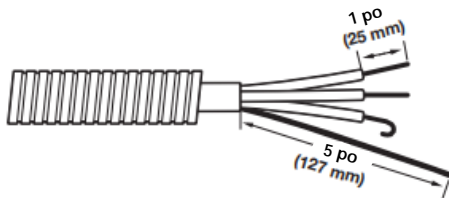


Raccordement direct à 3 fils : Aller à la section « Raccordement direct à 3 fils ».

Raccordement direct à 4 fils

IMPORTANT : Un raccordement à 4 fils est obligatoire pour les maisons mobiles et lorsque les codes locaux n'autorisent pas les raccordements à 3 fils.

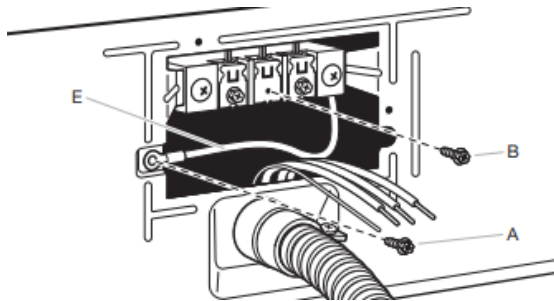
3. Préparer le câble à 4 fils pour un raccordement direct



Le câble à raccordement direct doit avoir une longueur supplémentaire de 5 pi (1,52 m) pour pouvoir déplacer la sècheuse si nécessaire.

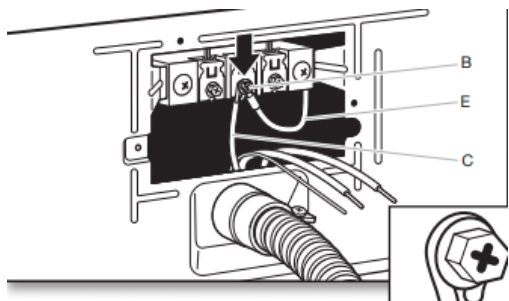
Dénuder une longueur de 5 po (127 mm) de gaine extérieure à l'extrémité du câble, en laissant le conducteur de mise à la terre nu à la longueur de 5 po (127 mm). Couper 1 1/2 po (38 mm) des 3 conducteurs restants. Dénuder les conducteurs sur une longueur de 1 po (25 mm). Former des crochets aux extrémités des conducteurs.

4. Préparer la connexion du conducteur neutre au conducteur neutre



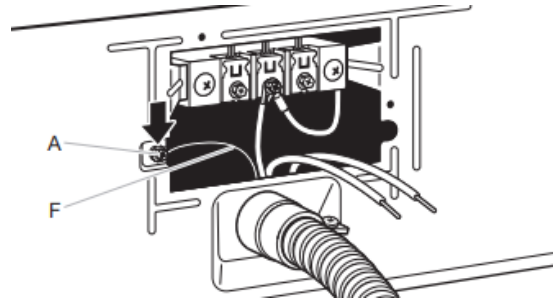
Retirer la vis de la borne centrale (B). Retirer le conducteur neutre (E) de la vis du conducteur externe verte (A).

5. Connecter le conducteur neutre et le conducteur neutre



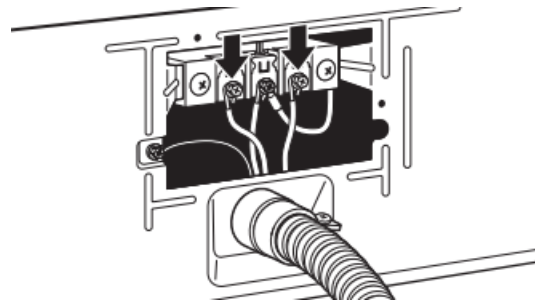
Connecter le conducteur neutre (E) et placer le crochet d'extrémité (crochet vers la droite) du conducteur neutre (blanc ou central) (C) du câble à raccordement direct sous la vis de la borne centrale (B). Rapprocher les extrémités du crochet et serrer la vis.

6. Connecter le conducteur de liaison à la terre



Connecter le conducteur (vert ou nu) de liaison à la terre (F) du câble pour raccordement direct sous la vis du conducteur de liaison à la terre externe (A). Serrer la vis.

7. Connecter les conducteurs restants

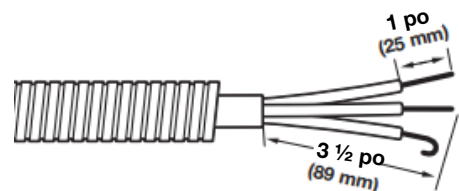


Placer les extrémités en crochet des conducteurs restants du câble pour raccordement direct sous les vis les plus à l'extérieur du bornier (crochets vers la droite). Rapprocher les extrémités du crochet et serrer la vis. Placer la languette du couvercle du bornier dans la fente du panneau arrière de la sècheuse. Fixer le couvercle avec la vie de retenue. Ensuite, aller à la section « Exigences concernant l'évacuation ».

Raccordement direct à 3 fils

IMPORTANT : À utiliser lorsque les codes locaux autorisent la connexion du conducteur de masse de la caisse au conducteur neutre.

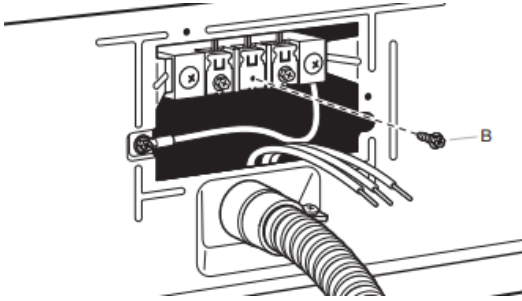
3. Préparer le câble à 3 fils pour un raccordement direct



Le câble à raccordement direct doit avoir une longueur supplémentaire de 5 pi (1,52 m) pour pouvoir déplacer la sècheuse si nécessaire.

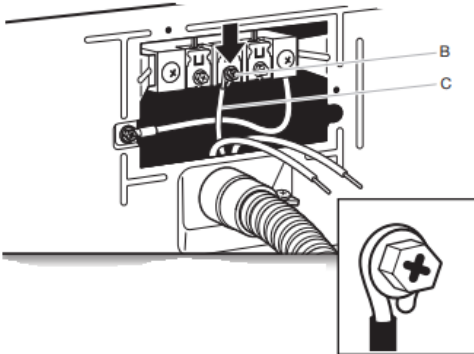
Dénuder une longueur de 3 1/2 po (89 mm) de gaine extérieure à l'extrémité du câble. Dénuder les conducteurs sur une longueur de 1 po (25 mm). En cas d'utilisation d'un câble à 3 fils avec conducteur de mise à la terre, couper le fil nu au même niveau que la gaine extérieure. Former des crochets au bout des conducteurs.

4. Retirer la vis centrale



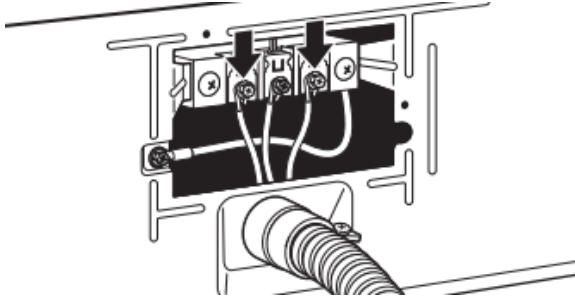
Retirer la vis de la borne centrale (B).

5. Connecter le conducteur neutre



Placer le crochet d'extrémité du conducteur neutre (blanc ou central) (C) du câble pour raccordement direct sous la vis de la borne centrale (B). Rapprocher les extrémités du crochet. Serrer la vis.

6. Connecter les conducteurs restants

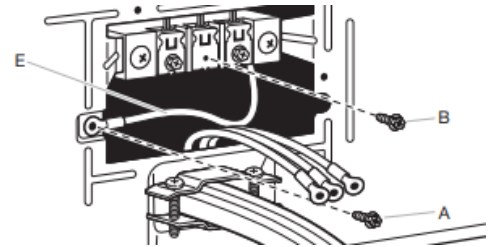


Placer les extrémités en crochet des conducteurs restants du câble pour raccordement direct sous les vis les plus à l'extérieur du bornier (crochets vers la droite). Rapprocher les extrémités du crochet et serrer les vis. Placer la languette du couvercle du bornier dans la fente du panneau arrière de la sècheuse. Fixer le couvercle avec la vis de retenue. Ensuite, aller à la section « Exigences concernant l'évacuation ».

Raccordement à 3 fils en option (cordon d'alimentation illustré)

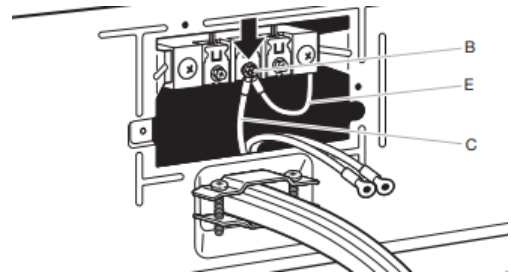
IMPORTANT : Il convient de vérifier auprès d'un électricien qualifié que cette méthode de mise à la terre est acceptable avant d'effectuer le raccordement.

1. Préparer la connexion du conducteur neutre au conducteur neutre



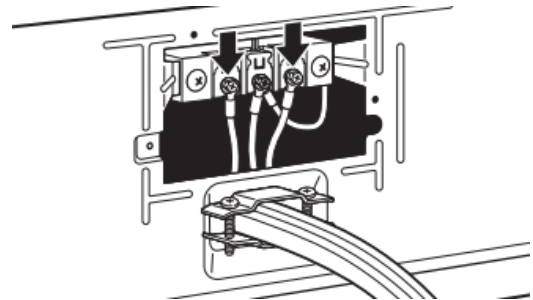
Installer le bon serre-câbles pour votre raccordement électrique. Retirer la vis de la borne centrale (B). Retirer le conducteur neutre (E) de la vis du conducteur de terre externe verte (A).

2. Connecter le conducteur neutre et le conducteur neutre



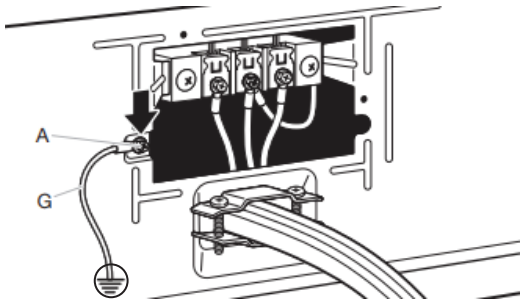
Connecter le conducteur neutre (E) et le conducteur neutre (blanc ou central) (C) du câble d'alimentation ou du câble sous la vis de la borne centrale (B). Serrer la vis.

3. Connecter les conducteurs restants



Placer les conducteurs restants sous les vis les plus à l'extérieur du bornier. Serrer les vis.

4. Connecter le conducteur de liaison à la terre externe

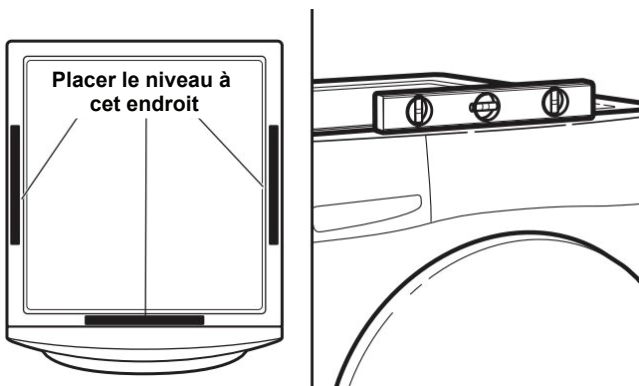


Raccorder un autre conducteur de terre en cuivre (G) depuis la vis verte du conducteur de terre externe (A) jusqu'à une terre adéquate. Placer la languette du couvercle du bornier dans la fente du panneau arrière de la sécheuse. Fixer le couvercle avec la vis de retenue. Ensuite, aller à la section « Critères d'évacuation ».

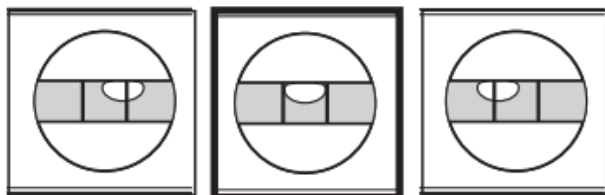
Mise à niveau de l'ensemble de buanderie superposé

IMPORTANT : Le nivellement de l'ensemble de buanderie superposé permet de réduire le bruit et les vibrations excessifs.

13. Vérifier l'aplomb de l'ensemble de buanderie superposé



Enlever le carton placé sous l'ensemble de buanderie superposé. Placer un niveau sur les bords supérieurs de l'ensemble de buanderie superposé et vérifier chaque côté et l'avant. S'il n'est pas d'aplomb, faire basculer l'ensemble de buanderie superposé et ajuster les pieds vers le haut ou vers le bas, comme indiqué dans les étapes 15 et 16, recommencer si nécessaire.

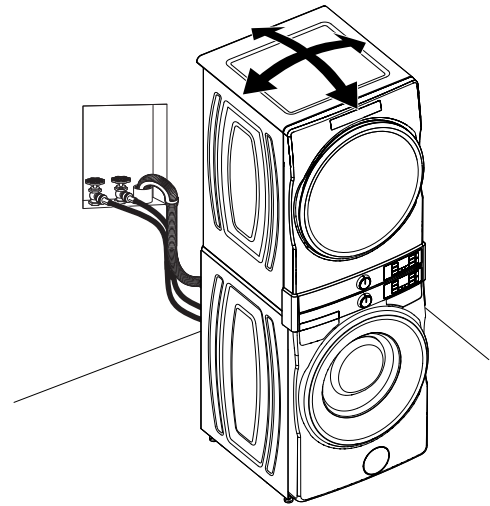


Pas d'aplomb

D'APLOMB

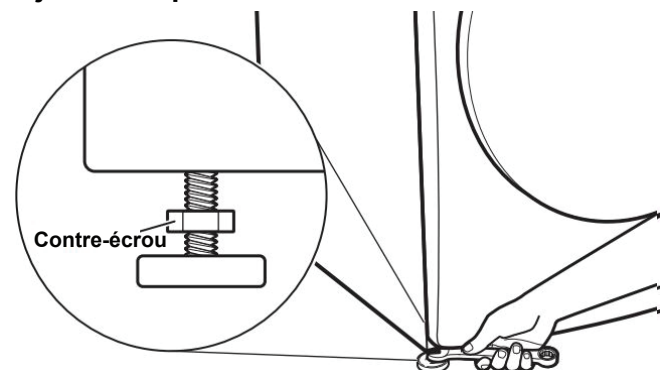
Pas d'aplomb

14. Faire basculer l'ensemble de buanderie superposé pour tester le contact des pieds avec le sol



Saisir l'ensemble de buanderie superposé par le dessus et la faire basculer d'avant en arrière tout en s'assurant que les quatre pieds sont en contact ferme avec le sol. Faire de nouveau basculer l'ensemble de buanderie d'un côté à l'autre. Si l'ensemble de buanderie superposé bascule, passer à l'étape 15 et ajuster les pieds de nivellement. Si les quatre pieds sont en contact ferme avec le sol, passer à l'étape 16.

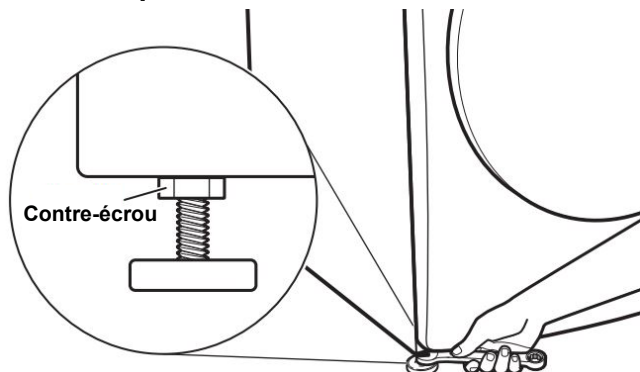
15. Ajuster les pieds de nivellement



Si l'ensemble de buanderie superposé n'est pas d'aplomb, utiliser une clé plate de 9/16 po (14,3 mm) ou une clé à molette pour tourner les contre-écrous dans le sens horaire sur les pieds jusqu'à ce qu'ils se trouvent à environ 1/2 po (13 mm) de la caisse de la laveuse. Tourner ensuite le pied de nivellement dans le sens horaire pour abaisser l'ensemble de buanderie superposé ou antihoraire pour le soulever. Ne pas dépasser 2 po (50 mm) du bas du pied au bas de l'armoire. Contrôler à nouveau l'aplomb de l'ensemble de buanderie superposé et vérifier que les quatre pieds sont en contact ferme avec le sol. Répéter si nécessaire.

CONSEIL UTILE : Il serait judicieux de soulever l'avant de l'ensemble de buanderie superposé d'environ 4 po (102 mm) à l'aide d'une cale en bois ou d'un objet similaire qui soutiendra le poids de l'ensemble de buanderie superposé.

16. Serrer les pieds de nivellement



Une fois l'ensemble de buanderie d'aplomb et les quatre pieds en contact ferme avec le sol, tourner les contre-écrous dans le sens antihoraire sur les pieds de nivellement à l'aide d'une clé à fourche ou d'une clé à molette de 9/16 po (14,3 mm) jusqu'à ce qu'ils soient bien serrés contre la caisse de la laveuse.

CONSEIL UTILE : On devra peut-être de nouveau soulever légèrement l'ensemble de buanderie superposé à l'aide d'une cale de bois.

⚠ AVERTISSEMENT



Risque de décharge électrique

Brancher l'appareil sur une prise à 3 alvéoles reliée à la terre.

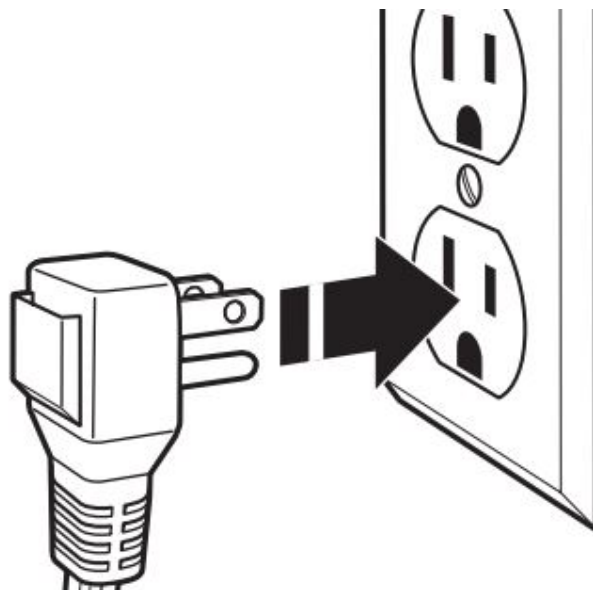
Ne pas enlever la prise de liaison à la terre.

Ne pas utiliser d'adaptateur.

Ne pas utiliser de rallonge.

Le non-respect de ces instructions peut causer un décès, un incendie ou une décharge électrique.

17. Brancher l'appareil dans une prise à 3 alvéoles reliée à la terre



Liste de vérification pour l'installation terminée

- Consulter les spécifications électriques. S'assurer de disposer d'une source d'électricité appropriée, et d'une liaison à la terre conforme à la méthode recommandée.
- Vérifier que toutes les pièces sont maintenant installées. S'il reste une pièce, passer en revue les différentes étapes pour découvrir laquelle aurait été oubliée.
- Vérifier la présence de tous les outils.
- Vérifier que tout le matériel d'expédition a été retiré de la laveuse.
- Vérifier que l'ensemble de buanderie superposé est d'aplomb.
- Vérifier que les robinets d'eau sont ouverts.
- Vérifier qu'il n'y a pas de fuite autour des robinets et des tuyaux d'arrivée d'eau.
- Vérifier l'emplacement final de l'ensemble de buanderie superposé. S'assurer que le conduit d'évacuation de la sècheuse n'est pas écrasé ou déformé.
- Ôter la pellicule protectrice des consoles et tout ruban adhésif resté sur l'ensemble de buanderie superposé.
- Vérifier que l'ensemble de buanderie superposé est branché sur une prise de courant à 3 alvéoles reliée à la terre.
- Éliminer/recycler tous les matériaux d'emballage.
- Lire la section « Entretien et réparation de l'ensemble de buanderie superposé ».
- Essuyer soigneusement l'intérieur du tambour de la sècheuse avec un chiffon humide pour éliminer toute trace de poussière.
- Pour changer le sens d'ouverture de la porte du côté droit au côté gauche, voir le Guide du produit en ligne.
- Pour tester et nettoyer votre laveuse, appuyer sur Power (Mise sous tension), et choisir le programme Quick (Rapide) et la faire fonctionner sans vêtements. Utiliser uniquement du détergent HE. Utiliser la moitié de la quantité recommandée par le fabricant pour une charge de taille moyenne.
- Pour tester le fonctionnement de la sècheuse, utiliser un programme avec chaleur de 20 minutes, puis mettre la sècheuse en marche. Ne pas sélectionner le réglage de température Air Only (Air seulement).

Si la sècheuse ne démarre pas, vérifier ce qui suit :

- Les commandes sont réglées à la position de marche ou « On » (Activé).
- On a appuyé fermement sur le bouton Start (Mise en marche).
- La sècheuse est branchée dans une prise reliée à la terre et/ou l'alimentation électrique.
- Le fusible domestique est intact et bien visé ou le disjoncteur n'est pas ouvert.
- La porte de la sècheuse est fermée.
- Après 5 minutes de fonctionnement, ouvrir la porte de la sècheuse et voir s'il y a de la chaleur. Si de la chaleur est détectée, annuler le programme et fermer la porte.

Si la sècheuse n'est pas chaude à l'intérieur, éteindre la sècheuse et vérifier ce qui suit :

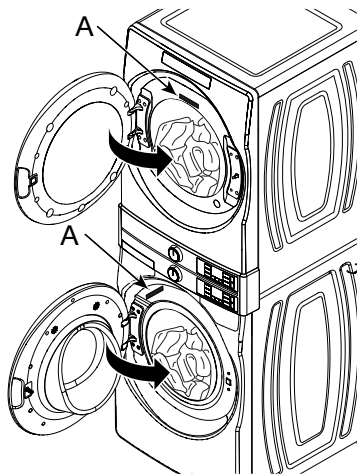
- Il peut y avoir 2 fusibles ou disjoncteurs domestiques pour la sècheuse. Vérifier que les deux fusibles sont intacts et bien en place ou que les deux disjoncteurs ne se sont pas déclenchés. S'il n'y a toujours pas de chaleur, contacter un technicien qualifié.

REMARQUE : Il est possible que la sècheuse dégage une certaine odeur lorsqu'elle chauffe pour la première fois. Cette odeur est normale lorsque l'élément chauffant est utilisé pour la première fois. L'odeur disparaîtra.

Si l'écran de circulation d'air affiche « Check Vent » (vérifier le conduit d'évacuation), il est possible que le conduit d'évacuation de la sècheuse soit écrasé ou bloqué.

GUIDE DE DÉMARRAGE RAPIDE DE LA LAVEUSE

ENREGISTREMENT DU PRODUIT ET INFORMATIONS POUR LE PROPRIÉTAIRE



A. Trouver l'étiquette signalétique sur votre produit, comme indiqué dans le diagramme.

VOTRE CODE À BARRES 2D DÉBLOQUE... des informations sur l'enregistrement et la garantie du produit, des instructions d'installation, le guide du produit, le guide des programmes, des vidéos pratiques et des accessoires supplémentaires pour tirer le meilleur parti de votre produit. Si vous avez acheté un appareil intelligent, votre code à barres 2D vous indiquera comment télécharger l'application et vous connecter. Vous pouvez accéder à l'ensemble des instructions d'installation, d'entretien et d'utilisation, aux détails de la garantie et à d'autres informations en visitant notre site web au www.whirlpool.com/owners ou www.whirlpool.ca/proprietaire. Cette vérification peut vous faire économiser le coût d'une intervention de dépannage. Pour recevoir une copie imprimée gratuite des informations en ligne, nous appeler au **1 866 698-2538** (États-Unis)/**1 800 807-6777** (Canada) ou nous écrire à :

Whirlpool Brand Appliances
Customer eXperience Center
PO Box #8
St. Joseph, MI 49085

Whirlpool Brand Appliances
Customer eXperience Center Unit
200-6750 Century Ave.
Mississauga, Ontario L5N 0B7

Enregistrez-vous pour accéder aux informations relatives à la garantie et recevoir des notifications importantes concernant votre produit. Balayez la carte d'enregistrement photo ou le code à barres 2D pour enregistrer votre produit.

AVERTISSEMENT : Pour réduire le risque d'incendie, de décharge électrique ou de blessures corporelles, lire les **INSTRUCTIONS IMPORTANTES DE SÉCURITÉ** avant de faire fonctionner cet appareil.

Réparation des appareils et assistance :

Dans le cas rare où vous auriez besoin d'un entretien, de pièces et d'accessoires, ou si vous êtes intéressé par un plan d'entretien prolongé Whirlpool offre une variété d'options pour assurer votre tranquillité d'esprit. Pour obtenir plus d'informations et pour consulter une bibliothèque de ressources sur le dépannage des appareils, visiter le www.whirlpool.com/owners.

Entretien et nettoyage :

Votre électroménager est un achat important. Faites en sorte qu'ils travaillent aussi durs que vous avec le programme « Clean with affresh® » (Nettoyage avec affresh®) de votre machine et les pastilles de nettoyage pour laveuse affresh® qui sont conçues pour nettoyer en profondeur et éliminer les résidus responsables des odeurs et la saleté que les charges quotidiennes laissent derrière elles.

INSTRUCTIONS D'UTILISATION

⚠ AVERTISSEMENT



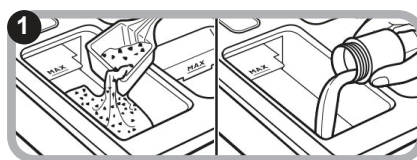
Risque d'incendie

Ne jamais introduire d'articles imprégnés d'essence ou d'autres liquides inflammables dans la laveuse.

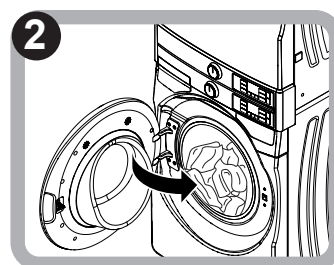
Aucune laveuse ne peut complètement éliminer l'huile.

Ne jamais faire sécher d'articles tachés d'huile (huiles de cuisson comprises).

Cela peut entraîner la mort, une explosion ou un incendie.



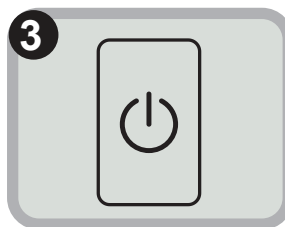
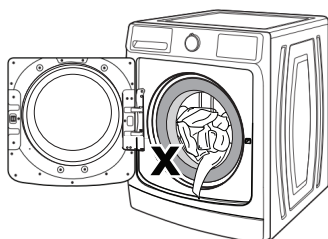
Ajouter le détergent HE, l'adoucissant et l'eau de Javel dans les distributeurs prévus à cet effet.



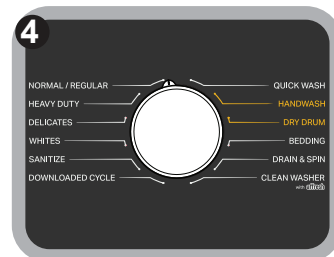
Charger les articles, puis fermer la porte.

REMARQUE : Avant de laver des vêtements pour la première fois, ajouter du détergent HE dans le distributeur, puis effectuer un programme Quick Wash (Lavage rapide) sans vêtements.

MÉTHODE DE CHARGEMENT



ACL : Appuyer sur Power (Mise sous tension).



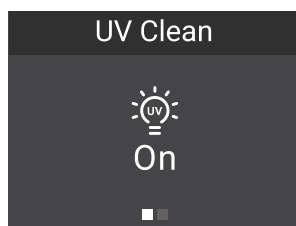
Sélectionner un programme et régler les options.



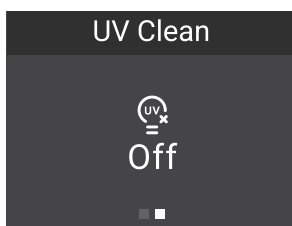
ACL : Appuyez sur Start/Pause (Mise en marche/Pause)

REMARQUE : Handwash (Lavage à la main) est un programme de trempage avec niveau d'eau élevé personnalisable qui aide à éliminer les taches. Sélectionner la température de trempage, la durée (sélection du niveau de saleté) et la vitesse d'essorage souhaités. Spin Speed Off (Vitesse d'essorage désactivée) effectue le trempage et le drainage.

UV CLEAN (NETTOYAGE UV)



On (Activé)



Off (Désactivé)

Cette option utilise une lumière UV-C pour traiter l'eau avant qu'elle n'entre dans le tambour, ce qui aide à réduire les bactéries responsables des odeurs à l'intérieur de la laveuse. L'option peut être activée pour fonctionner automatiquement après avoir sélectionné le bouton de programme; pas de chaleur ou de produits chimiques agressifs nécessaires.

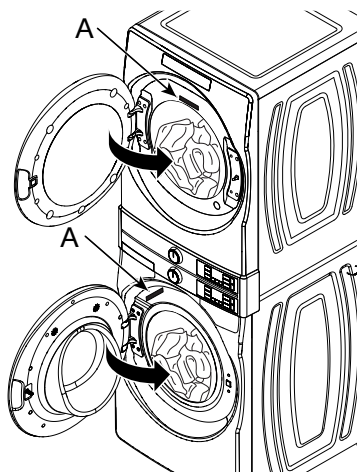
CONNEXION DE VOTRE APPAREIL INTELLIGENT

UTILISER L'APPLICATION WHIRLPOOL® pour garder la maîtrise et gérer efficacement vos vêtements depuis n'importe où.* Vos vêtements n'auront jamais le dessus grâce aux notifications de fin de programme qui s'affichent sur votre appareil intelligent pour vous assurer que les charges terminées ne sont pas oubliées. Trouver des instructions de prétraitement étape par étape dans le Guide des tâches pour venir à bout des tâches difficiles de tous les jours et maximiser la puissance de vos appareils électroménagers Whirlpool™.

*L'appareil doit être sur remote enable/start (activation/mise en marche à distance). Wi-Fi et application requis. Caractéristiques indiquées sous réserve de modifications. Une fois installée, lancer l'application et suivre les étapes pour créer votre compte utilisateur et vous connecter à votre appareil. Pour obtenir les instructions d'abonnement et de connectivité, les conditions d'utilisation et la politique de confidentialité, visiter le www.whirlpool.com/connect ou le www.whirlpool.ca/ pour les résidents du Canada. Si vous avez des problèmes ou des questions, appelez Whirlpool® Connected Appliances au **1 866 698-2538**.

GUIDE DE DÉMARRAGE RAPIDE DE LA SÈCHEUSE

ENREGISTREMENT DU PRODUIT ET INFORMATIONS POUR LE PROPRIÉTAIRE



A. Trouver l'étiquette signalétique sur votre produit, comme indiqué dans le diagramme.

VOTRE CODE À BARRES 2D DÉBLOQUE... des informations sur l'enregistrement et la garantie du produit, des instructions d'installation, le guide du produit, le guide des programmes, des vidéos pratiques et des accessoires supplémentaires pour tirer le meilleur parti de votre produit. Si vous avez acheté un appareil intelligent, votre code à barres 2D vous indiquera comment télécharger l'application et vous connecter.

Vous pouvez accéder à l'ensemble des instructions d'installation, d'entretien et d'utilisation, aux détails de la garantie et à d'autres informations en visitant notre site web au www.whirlpool.com/owners ou www.whirlpool.ca/proprietaire. Cette vérification peut vous faire économiser le coût d'une intervention de dépannage. Pour recevoir gratuitement un exemplaire imprimé des informations en ligne, appelez-nous au **1 866 698-2538** (États-Unis) / **1 800 807-6777** (Canada) ou écrivez-nous au :

Whirlpool Brand Appliances
Customer eXperience Center
PO Box #8
St. Joseph, MI 49085

Whirlpool Brand Appliances
Customer eXperience Center Unit
200-6750 Century Ave.
Mississauga, Ontario L5N 0B7

Enregistrez-vous pour accéder aux informations relatives à la garantie et recevoir des notifications importantes concernant votre produit. Balayez la carte d'enregistrement photo ou le code à barres 2D pour enregistrer votre produit.

AVERTISSEMENT : Pour réduire les risques d'incendie, d'électrocution ou de blessure, lire les consignes de sécurité importantes figurant dans les instructions de sécurité et d'installation avant d'installer ou d'utiliser cet appareil.

Réparation des appareils et assistance :

Dans le cas rare où vous auriez besoin d'un entretien, de pièces et d'accessoires, ou si vous êtes intéressé par un plan d'entretien prolongé Whirlpool® offre une variété d'options pour assurer votre tranquillité d'esprit. Pour obtenir plus d'informations et pour consulter une bibliothèque de ressources sur le dépannage des appareils, visiter le www.whirlpool.com/owners.

Entretien et nettoyage :

Votre électroménager est un achat important. Faites en sorte qu'ils travaillent aussi durs que vous avec le programme « Clean with affresh® » (Nettoyage avec affresh®) de votre machine et les pastilles de nettoyage pour laveuse affresh® qui sont conçues pour nettoyer en profondeur et éliminer les résidus responsables des odeurs et la saleté que les charges quotidiennes laissent derrière elles.

INSTRUCTIONS D'UTILISATION

⚠ AVERTISSEMENT



Risque d'incendie

Aucune laveuse ne peut complètement éliminer l'huile.

Ne jamais faire sécher d'articles tachés d'huile (huiles de cuisson comprises).

Les articles contenant mousse, caoutchouc ou plastique doivent être séchés sur une corde à linge ou par le programme de séchage à l'air.

Le non-respect de ces instructions peut causer un décès ou un incendie.

⚠ AVERTISSEMENT



Risque d'explosion

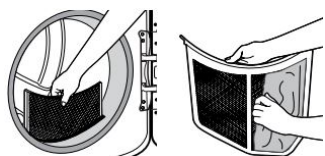
Garder les matières et les vapeurs inflammables, telles que l'essence, à l'écart de la sècheuse.

Ne pas faire sécher un article qui a déjà été touché par un produit inflammable (même après un lavage).

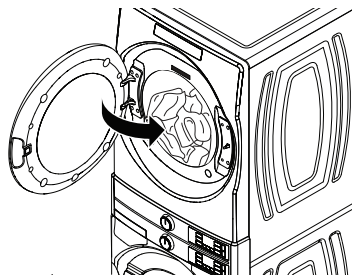
Le non-respect de ces instructions peut causer un décès, une explosion ou un incendie.

AVERTISSEMENT : Pour réduire le risque d'incendie, de décharge électrique ou de blessures, lire les INSTRUCTIONS IMPORTANTES DE SÉCURITÉ du guide d'utilisation de votre appareil avant de faire fonctionner cet appareil.

Étape 1. Nettoyer le filtre à charpie



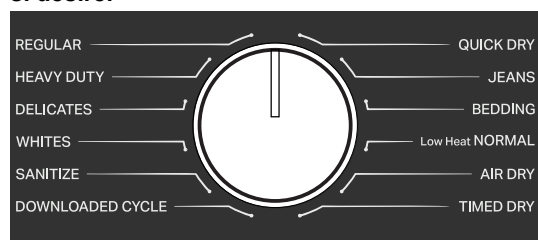
Étape 2. Charger les vêtements



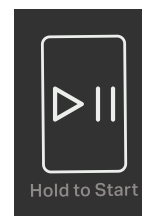
Étape 3. Appuyer sur le bouton Power (Mise sous tension)



Étape 4. Sélectionner le programme désiré. Modifier les réglages et options du programme si désiré.



Étape 5. Maintenir enfoncé, puis relâcher le bouton Start (Mise en marche)



CONNEXION DE VOTRE APPAREIL INTELLIGENT

UTILISER L'APPLICATION WHIRLPOOL® pour garder la maîtrise et gérer efficacement vos vêtements depuis n'importe où. *Vos vêtements n'auront jamais le dessus grâce aux notifications de fin de programme qui s'affichent sur votre appareil intelligent pour vous assurer que les charges terminées ne sont pas oubliées. Trouver des instructions de prétraitement étape par étape dans le Guide des tâches pour venir à bout des tâches difficiles de tous les jours et maximiser la puissance de vos appareils électroménagers Whirlpool™.

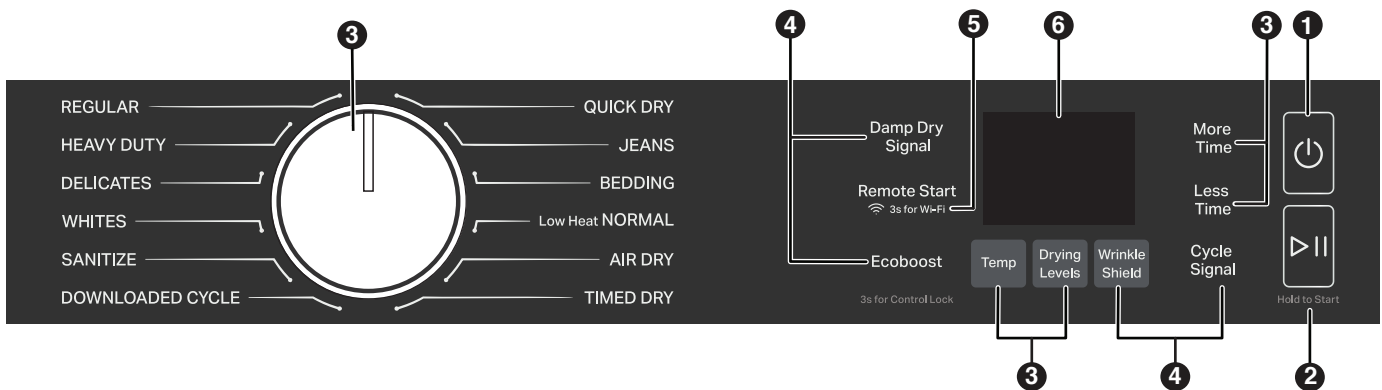
*L'appareil doit être sur remote enable/start (activation/mise en marche à distance). Wi-Fi et application requis. Caractéristiques indiquées sous réserve de modifications. Une fois installée, lancer l'application et suivre les étapes pour créer votre compte utilisateur et vous connecter à votre appareil. Pour obtenir les instructions d'abonnement et de connectivité, les conditions d'utilisation et la politique de confidentialité, visiter le www.whirlpool.com/connect ou le www.whirlpool.ca/proprietaire pour les résidents du Canada. Si vous avez des problèmes ou des questions, appelez Whirlpool® Connected Appliances au **1 866 698-2538**.

GUIDE DES PROGRAMMES DE L'ENSEMBLE DE BUANDERIE SUPERPOSÉ

CONNEXION DE VOTRE APPAREIL INTELLIGENT

UTILISER L'APPLICATION WHIRLPOOL® pour garder la maîtrise et gérer efficacement vos vêtements depuis n'importe où.* Vos vêtements n'auront jamais le dessus grâce aux notifications de fin de programme qui s'affichent sur votre appareil intelligent pour vous assurer que les charges terminées ne sont pas oubliées. Trouver des instructions de prétraitement étape par étape dans le Guide des tâches pour venir à bout des tâches difficiles de tous les jours et maximiser la puissance de vos appareils électroménagers Whirlpool™. *L'appareil doit être sur remote enable/start (activation/mise en marche à distance). Wi-Fi et application requis. Caractéristiques indiquées sous réserve de modifications. Une fois installée, lancer l'application et suivre les étapes pour créer votre compte utilisateur et vous connecter à votre appareil. Pour obtenir les instructions d'abonnement et de connectivité, les conditions d'utilisation et la politique de confidentialité, visiter le www.whirlpool.com/connect ou le www.whirlpool.ca/proprietaire pour les résidents du Canada. Si vous avez des problèmes ou des questions, appelez Whirlpool® Connected Appliances au 1 866 698-2538. **Votre tour comprend deux appareils connectés, la laveuse et la sècheuse. Chacune doit être connectée au Wi-Fi séparément dans l'application Whirlpool®. Suivre les étapes guidées dans l'application pour effectuer la configuration des deux sections.**

TABLEAU DE COMMANDE ET CARACTÉRISTIQUES DE LA SÈCHEUSE



Description des boutons

1. POWER/CANCEL (alimentation/annuler)

Toucher ce bouton pour mettre la sècheuse en marche et pour l'éteindre. Toucher ce bouton pour arrêter/annuler un programme à tout moment.

2. START/PAUSE (mise en marche/pause)

Toucher et maintenir enfoncé jusqu'à ce que l'écran ACL effectue un compte à rebours « 3-2-1 » et que la sècheuse se mette en marche; laisser ensuite le programme se poursuivre ou appuyer une fois pendant que le programme est en cours pour le mettre sur pause.

3. MODIFIERS (modificateurs)

Utiliser ces boutons pour sélectionner les modificateurs offerts sur la sècheuse. Les programmes et options ne sont pas tous offerts sur tous les modèles. Consulter le « Guide de programmes » en ligne pour plus de détails.

Temp (température)

Lorsque l'on utilise les programmes Timed Dry (Séchage minuté)/ Quick (Rapide), il est possible de sélectionner une température de séchage en fonction du type de charge à sécher. Utiliser le réglage le plus chaud possible acceptable pour les vêtements de la charge. Suivre les instructions figurant sur l'étiquette des vêtements.

REMARQUE : Les programmes automatiques donnent le choix entre jusqu'à 4 températures de réglage, en fonction des sélections effectuées.

Drying Levels (Niveau de séchage)

Le niveau de séchage peut au besoin être réglé si désiré pour les programmes automatiques (sauf pour le programme Sanitize [assainissement]).

REMARQUE : Le réglage du niveau de séchage ne peut être utilisé qu'avec les programmes automatiques.

More Time (plus de temps)/Less Time (moins de temps)

Toucher More Time (plus de temps) ou LESS TIME (moins de temps) lors des programmes Timed Dry/Quick cycle (séchage minuté/rapide) pour augmenter ou réduire la durée du programme.

4. OPTIONS

Utiliser ces boutons pour sélectionner les options offertes sur la sècheuse. Les programmes et options ne sont pas tous offerts sur tous les modèles.

Wrinkle Shield (antifroissement)™ Option

Si l'on n'est pas en mesure de retirer la charge immédiatement, appuyer sur Wrinkle Shield™ (Antifroissement) pour ajouter jusqu'à 150 minutes de culbutage périodique afin d'aider à réduire le froissement.

REMARQUE : Si la porte de la sècheuse est ouverte avant la fin de l'option Wrinkle Shield™ (antifroissement), la sècheuse passe pause.

Signal de programme

Appuyer sur ce bouton pour régler le signal sonore de fin d'un programme de séchage sur faible, moyen, élevé ou désactivé. Le volume sélectionné ici s'applique aussi au signal Damp Dry Signal (séchage humide).

REMARQUE : Il est également possible de désactiver les signaux sonores qui retentissent lorsqu'on appuie sur un bouton de caractéristique, de réglage ou d'option. Toucher et maintenir enfoncé sur Cycle Signal (signal de programme) pendant environ 3 secondes pour régler le volume sur faible, moyen, élevé ou désactivé.

Damp Dry Signal (signal de séchage humide)

Appuyer pour activer ou désactiver le signal Damp Dry (séchage humide). Lorsque cette option est sélectionnée, plusieurs signaux sonores retentissent lorsque la charge est humide, mais pas complètement sèche. Ceci vous permettra de retirer les vêtements dans la charge qui n'ont pas besoin d'être séchés complètement. Le signal Damp Dry (séchage humide) est sélectionné par défaut pour le programme Bulky Items (articles volumineux) pour rappeler à l'utilisateur de réagencer les articles volumineux à la main vers la moitié du programme. Cette option n'est pas accessible avec certains programmes. Consulter le « Guide de programmes » en ligne pour plus de détails.

Control Lock (verrouillage des commandes)

Utiliser cette option pour verrouiller les commandes de la sècheuse et éviter une modification involontaire d'options ou de préférences au cours d'un programme de séchage. Pour verrouiller ou déverrouiller les commandes, maintenir Control Lock (Verrouillage des commandes) ou Damp Dry Signal (Signal de séchage humide) (selon le modèle) enfoncé pendant 3 secondes. Pendant cette période, l'écran ACL indiquera un compte à rebours « 3-2-1 ». Une fois les commandes verrouillées, l'écran ACL indiquera « Loc ».

REMARQUE : Il est possible que la fonction de verrouillage des commandes soit activée après une panne de courant. Pour déverrouiller le commande, toucher et maintenir enfoncé Control Lock (verrouillage des commandes) ou Damp Dry Signal (signal de séchage humide) (modèles à vapeur uniquement) pendant au moins 3 secondes.

Option EcoBoost™ (Puissance éco)

L'option EcoBoost™ (Puissance éco) s'active par défaut avec le programme Regular (Ordinaire)/Normal et ne peut être activée qu'avec ces programmes. Cette option permet d'accroître vos économies d'énergie en utilisant un niveau de chaleur légèrement plus faible. L'option EcoBoost™ (Puissance éco) augmente le temps de séchage d'environ 40 minutes, ce qui paraîtra à l'écran ACL. Pour obtenir un temps de séchage optimal, toucher ECOBOOST (PUISSANCE ÉCO) pour désactiver l'option.

5. Remote Start 3 sec for WI-FI (Activation à distance 3 secondes pour Wi-Fi)

Il est possible de commander cette sècheuse intelligente à distance pour gérer la journée de lessive depuis votre téléphone intelligent. Accéder aux programmes favoris à partir de l'application Whirlpool® pour envoyer des programmes à votre sècheuse et démarrer la charge à distance.

6. AFFICHEUR ACL

Lorsqu'on sélectionne un programme, ses réglages par défaut s'allument et la durée restante estimée (pour les programmes automatiques) variera en fonction des sélections ou la durée restante réelle pour les programmes de Timed Dry (Séchage minuté) (pour les programmes manuels) s'affichera.

Check Vent (vérifier le conduit d'évacuation)

L'indicateur Check Vent (vérifier le conduit d'évacuation) est uniquement disponible avec les programmes automatique / capteur. Cet indicateur indique la qualité de la circulation de l'air dans la sècheuse et le système d'évacuation de la sècheuse durant le cycle de vie de la sècheuse. Durant la phase de détection au début du programme, le témoin Check Vent (vérifier le conduit d'évacuation) s'allume si un événement est obstrué ou si un faible débit de ventilation est détecté. Ce témoin reste allumé pendant toute la durée du programme. Si le témoin Check Vent s'allume, consulter la section en ligne « Dépannage » pour obtenir des solutions possibles et résoudre le problème.

Le témoin s'éteint à la fin du programme, si on appuie sur le bouton Power (d'alimentation) ou si la porte est ouverte. Le témoin reste allumé pendant le programme si le problème n'est pas réglé.

REMARQUE : La sècheuse continue à fonctionner même si le témoin est allumé, mais une mauvaise circulation de l'air peut avoir une incidence sur le temps de séchage et le rendement. Voir la section "Vérification d'une circulation adéquate de l'air dans le système d'évacuation" du manuel de l'utilisateur.

REMARQUE : Si d'autres erreurs surviennent au cours d'un programme, l'indicateur Check Vent (vérifier le conduit d'évacuation) ne s'allume pas. Voir en ligne « Dépannage » section.

GUIDE DES PROGRAMMES DE LA SÈCHEUSE

Les réglages et options indiqués en gras sont les réglages par défaut pour ce programme. Pour un meilleur soin des tissus, choisir le programme, les options et les réglages qui conviennent le mieux à la charge à sécher. Les modificateurs sont pré-réglés pour les articles à sécher, mais peuvent être modifiés au besoin.

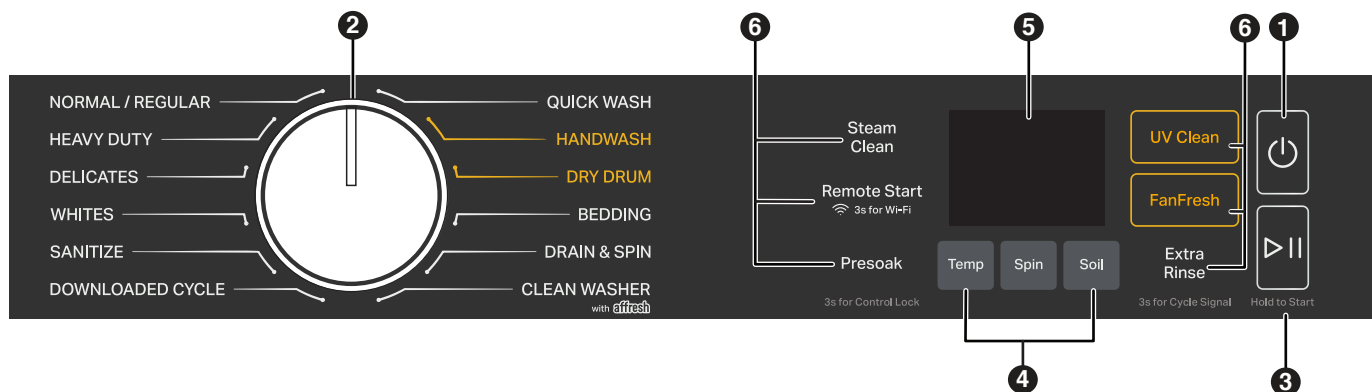
Pour réaliser un maximum un maximum d'économie d'énergie et prendre davantage soin des tissus, utiliser les programmes automatiques. Ces programmes mesurent la température de l'air de séchage et les niveaux d'humidité afin d'éteindre la sècheuse une fois que la charge a atteint le niveau de séchage désiré. La performance et les résultats de la sècheuse peuvent varier si la tension nominale est inférieure à 240 V.

Programme	Articles à sécher	Niveau de séchage	Température de séchage	Options disponibles	Détails du programme
Regular (Ordinaire)	Chemises, chemisiers, tissus à pressage permanent, articles synthétiques et articles légers	Less (Moins) Normal More (Plus)	Low (Basse) Medium (Moyenne) High (Élevée)	Wrinkle Shield (Antifroissement) Damp Dry Signal (Signal de séchage humide)	Utilise un niveau de chaleur moyen pour le séchage de grandes charges composées de tissus et d'articles mixtes. Le réglage Normal est le programme le plus éconergique.
Heavy Duty (Service intense)/Towels (Serviettes)	Articles lourds comme les serviettes ou les vêtements de travail épais	Less (Moins) Normal More (Plus)	Low (Basse) Medium (Moyenne) High (Élevée)	Wrinkle Shield (Antifroissement) Damp Dry Signal (Signal de séchage humide)	Utilise un niveau de chaleur élevée pour sécher de grandes charges d'articles lourds et robustes.
Delicates (Vêtements délicats)	Sous-vêtements, chemisiers, lingerie, vêtements d'athlétisme	Less (Moins) Normal More (Plus)	Low (Basse) Medium (Moyenne) High (Élevée)	Wrinkle Shield (Antifroissement) Damp Dry Signal (Signal de séchage humide)	Utilise un niveau de chaleur faible pour sécher en douceur les articles délicats.
Whites (Blancs)	Tissus blancs, robustes	Less (Moins) Normal More (Plus)	Low (Basse) Medium (Moyenne) High (Élevée)	Wrinkle Shield (Antifroissement) Damp Dry Signal (Signal de séchage humide)	Utilise une chaleur élevée pour sécher une charge importante de vêtements ou d'articles blancs et robustes.
Sanitize (Assainissement)	Charges importantes composées d'articles lourds	More (Plus)	High (Élevée)	Wrinkle Shield (Antifroissement)	Il s'agit d'un programme de longue durée avec niveau de chaleur élevé dont l'efficacité de réduction des bactéries domestiques est prouvée. Ce programme n'est pas recommandé pour tous les tissus. À utiliser pour les grosses charges de tissus lourds.
Downloaded Cycle (Programme téléchargé)	Downloaded Cycle (Programme téléchargé)	N. D.	N. D.	N. D.	Créer des programmes personnalisés en quelques étapes à partir de l'application.
Quick Dry (Séchage rapide)	Petites charges et articles de sport	N. D.	Low (Basse) Medium (Moyenne) High (Élevée)	Wrinkle Shield (Antifroissement)	Pour les petites charges de 3 à 4 articles.

Programme	Articles à sécher	Niveau de séchage	Température de séchage	Options disponibles	Détails du programme
Jeans	Jeans and denim	Less (Moins) Normal More (Plus)	Low (Basse) Medium (Moyenne) High (Élevée)	Wrinkle Shield (Antifroissement) Damp Dry Signal (Signal de séchage humide)	Utilise un niveau de chaleur élevée pour sécher de grandes charges de jeans et d'autres tissus résistants.
Bedding (Literie)	Draps, taies d'oreiller, couvertures	Less (Moins) Normal More (Plus)	Low (Basse) Medium (Moyenne) High (Élevée)	Wrinkle Shield (Antifroissement) Damp Dry Signal (Signal de séchage humide)	Séchage à chaleur moyenne.
Low Heat Normal (Normal à faible chaleur)	Draps, chemisiers, robes, sous-vêtements tissus à pressage permanent et certains tricots	Less (Moins) Normal More (Plus)	Low (Basse) Medium (Moyenne) High (Élevée)	Wrinkle Shield (Antifroissement) Damp Dry Signal (Signal de séchage humide) EcoBoost (Puissance éco)	Utilise un niveau de chaleur inférieur pour sécher les tissus sensibles à la chaleur.
No Heat Air Dry (Séchage à l'air sans chaleur)	Mousse, caoutchouc, plastique et autres tissus sensibles à la chaleur	N. D.	N. D.	Wrinkle Shield (Antifroissement)	Utilise de l'air sans chaleur pour sécher des articles sensibles à la chaleur
Timed Dry (Séchage minuté)	N'importe quelle charge Remarque : Sélectionner Air pour sécher la mousse, le caoutchouc, le plastique ou les tissus sensibles à la chaleur.	N. D.	Low (Basse) Medium (Moyenne) High (Élevée)	Wrinkle Shield (Antifroissement)	Utilisé pour sécher les articles jusqu'à un niveau humide pour les articles qui ne nécessitent pas un programme de séchage complet. Choisir la température de séchage en fonction du type de tissus de votre charge. Si on hésite sur la température à sélectionner pour une charge donnée, choisir un réglage inférieur plutôt qu'un réglage supérieur.

REMARQUE : La certification énergétique gouvernementale de cette sècheuse est basée sur le programme Low Heat Normal (Normal à faible chaleur), EcoBoost (Puissance Éco) activé par défaut, température la plus élevée et niveau de séchage Normal. Les réglages par défaut de l'appareil, à savoir Low Heat Normal (Normal à faible chaleur), EcoBoost (Puissance Éco) activé, température moyenne et Wrinkle Shield (Antifroissement) désactivée ont été utilisés. Les programmes disponibles pour le téléchargement après-vente peuvent consommer plus d'énergie que le programme Low Heat Normal (Normal à faible chaleur), sur lequel la cote de consommation d'énergie de cette sècheuse est basée.

TABLEAU DE COMMANDE ET CARACTÉRISTIQUES DE LA LAVEUSE



Conçue pour l'utilisation d'un détergent haute efficacité seulement.

REMARQUE : Avant de laver des vêtements pour la première fois, ajouter du détergent HE liquide ou en poudre dans le distributeur de détergent. Choisir le programme Quick Wash (Lavage rapide) et le lancer sans vêtements. Utiliser uniquement du détergent HE. Le programme initial sert à assurer que l'intérieur est propre et que le distributeur est prêt à l'utilisation avant de laver des vêtements.

Description des boutons

1. POWER (MISE SOUS TENSION)

Toucher ce bouton pour mettre la laveuse en marche et pour l'éteindre. Toucher ce bouton de nouveau pour annuler un programme à tout moment.

REMARQUE : Tourner le bouton de programme de lavage permet également d'allumer la laveuse.

2. BOUTON DE PROGRAMME DE LAVAGE

Tourner le bouton de programme pour sélectionner un programme correspondant à la charge de vêtements. Les programmes personnalisés disponibles dans l'application Whirlpool comprennent Wrinkle Control (Antifroissement), Active Wear (Vêtements de sport), Jeans, Towels (Serviettes) et Swimwear (Maillots). Télécharger l'application Whirlpool pour utiliser ces programmes personnalisés.

REMARQUE : Handwash (Lavage à la main) est un programme de trempage avec niveau d'eau élevé personnalisable qui aide à éliminer les taches. Sélectionner la température de trempage, la durée (sélection du niveau de saleté) et la vitesse d'essorage souhaités. Spin Speed Off (Vitesse d'essorage désactivée) effectue le trempage et le drainage.

Consulter le « Guide de programmes » pour une description détaillée des programmes.

3. START/PAUSE (mise en marche/pause)

Toucher et maintenir enfoncé pendant 1 seconde sur ce bouton pour démarrer un programme ou appuyer une fois dessus pendant qu'un programme est en cours pour le suspendre. Pour ajouter un vêtement, on peut toucher le bouton Start/pause (Mise en marche/pause), le message « Add Garment » (Ajouter vêtement) s'allume à l'écran. Toucher à nouveau pour continuer le programme.

4. AFFICHAGE ACL ET RÉGLAGES

Lorsqu'on sélectionne un programme, ses réglages par défaut s'allument et la durée restante estimée s'affiche. Des facteurs comme la taille de la charge, la température et la pression de l'eau peuvent affecter la durée indiquée sur l'afficheur. La laveuse peut également ajuster la durée du programme si le linge est tassé, la charge est déséquilibrée ou si la mousse produite est excessive. Toucher le réglage souhaité sur l'afficheur pour ajuster. Voir « Guide de programmes » pour découvrir les réglages disponibles sur chaque programme.

REMARQUE : Un message Clean Washer (Nettoyage de la laveuse) apparaîtra sur l'écran de commande lorsque la laveuse aura exécuté 30 programmes pour vous rappeler de lancer le programme.

Spin (essorage)

Cette laveuse sélectionne automatiquement la vitesse d'essorage en fonction du programme sélectionné. Certaines vitesses pré-réglées peuvent être modifiées.

- Des vitesses d'essorage plus élevées signifient des durées de séchage plus courtes, mais elles peuvent augmenter le froissement de la charge.
- Des vitesses d'essorage moins élevées signifient moins de froissement, mais laissent la charge plus humide.

Temp (température)

La température de lavage recommandée est pré-réglée pour chaque programme. Certaines températures pré-réglées peuvent être modifiées. Il est possible de sélectionner une température de lavage différente en fonction du type de tissu et de saleté à laver. Pour des résultats optimaux, suivre les instructions sur l'étiquette du vêtement et utiliser la température d'eau de lavage la plus chaude possible qui reste sans danger pour le tissu. Toutes les fonctions de température de lavage sont accompagnées d'un rinçage à l'eau froide.

Soil (saleté)

Soil Level (Niveau de saleté) (durée de lavage) est préréglé pour chaque programme de lavage. Lorsqu'on modifie le réglage du niveau de saleté, la durée du programme augmente ou diminue sur l'affichage de la durée du programme estimée. Pour la plupart des charges, utiliser le niveau de saleté préréglé pour le programme choisi. Pour les tissus robustes et très sales, utiliser le réglage Soil Level (Niveau de saleté) pour sélectionner un niveau de saleté plus élevé. Pour les tissus délicats et peu sales, utiliser le réglage Soil Level (Niveau de saleté) pour sélectionner un niveau de saleté inférieur. Des réglages de niveau de saleté inférieurs aideront à réduire l'emmêlement et le froissement.

5. ÉTAT DU PROGRAMME

L'écran ACL affichera le temps estimé restant pour les réglages de programme sélectionnés ainsi que d'autres informations utiles.

6. OPTIONS

Toucher pour activer des options de lavage ou des caractéristiques supplémentaires. Certaines options ne sont pas disponibles sur certains modèles.

Remote Start 3 sec for WI-FI (Activation à distance 3 secondes pour Wi-Fi)

Toucher ce bouton chaque fois pour activer la commande à distance via l'application Whirlpool®. Suivre les instructions dans la section « OBTENIR L'APPLICATION WHIRLPOOL® ET SE CONNECTER ».

PreSoak (Prétrempage)

L'option PreSoak (Prétrempage) vous permet d'éviter le trempage à l'extérieur de la laveuse. Du temps est ajouté à la laveuse avant que le programme de lavage ne démarre automatiquement.

Control Lock (verrouillage des commandes)

Toucher pendant 3 secondes pour verrouiller les commandes afin d'éviter tout changement ou manipulation involontaire. Toucher de nouveau pendant 3 secondes pour déverrouiller. Pour chaque seconde que le bouton Control Lock (Verrouillage des commandes) est appuyé, l'affichage effectue le compte à rebours de 1 seconde et indique d'abord « 3 », ensuite « 2 » et enfin « 1 ». L'on peut tout de même appuyer sur le bouton Power (Mise sous tension) pour éteindre la laveuse.

Steam (Vapeur) (disponible sur certains modèles)

L'option Steam (Vapeur) ajoute un trempage supplémentaire et prolonge le nettoyage sur de nombreux programmes pour aider à éliminer les taches. Il ajoute également un jet de vapeur pour un nettoyage encore plus efficace. Un dispositif de chauffage intégré aide à maintenir des températures de lavages idéales.

Extra Rinse (Rinçage supplémentaire)

Activer cette option pour ajouter un rinçage supplémentaire à la plupart des programmes. On peut également toucher Extra Rinse (Rinçage supplémentaire) pendant 3 secondes pour activer/désactiver Control Lock (Verrouillage des commandes).

REMARQUE : Sélectionner Extra Rinse (Rinçage supplémentaire) avec Drain & Spin (Vidange et essorage) pour une option de rinçage et d'essorage.

UV Clean (Nettoyage UV)

Cette option utilise la technologie UV-C pour aider à réduire les bactéries responsables des odeurs à l'intérieur de la laveuse pendant le programme de lavage. L'option peut être activée pour fonctionner automatiquement après avoir sélectionné le bouton de programme; pas de chaleur ou de produits chimiques agressifs nécessaires. Conçue pour prendre soin des tissus, cette option aide à maintenir la fraîcheur de la laveuse au fil du temps.

Lorsque le nettoyage UV est actif, un témoin bleu s'allume à l'intérieur du tambour. Le témoin bleu indique que le programme de nettoyage UV est en cours; il ne produit pas d'émission de lumière UV. Le processus UV se déroule en toute sécurité dans le système interne de la laveuse et n'est pas visible par l'utilisateur. Le témoin s'allume au début du programme et peut s'éteindre temporairement pendant certaines phases ou options. Il s'agit du comportement normal du système.

Cette option n'est pas disponible pour les programmes Delicates (Vêtements délicats) ou Quick Wash (Lavage rapide).

FanFresh®

L'option FanFresh® entraîne le culbutage périodique de la charge après la fin du programme pendant une durée maximale de 12 heures, alors que le ventilateur intégré fait circuler l'air dans la laveuse pour réduire le taux d'humidité. Pour activer l'option FanFresh®, appuyer sur FanFresh. Si l'option FanFresh® est activée, elle restera activée pour tous les programmes suivants jusqu'à ce qu'on la désactive à nouveau, la laveuse mémorise le dernier statut programmé (activé/désactivé). Pour désactiver l'option FanFresh®, appuyer sur FanFresh.

Pour désactiver l'option FanFresh® lorsqu'elle est en cours d'exécution, toucher le bouton Power (Mise sous tension).

Cycle signal (signal de programme)

Appuyer sur Cycle Signal (Signal de programme) pendant environ 3 secondes. L'affichage présente le compte à rebours de la durée. Les nombres « 3 », « 2 » puis « 1 » s'affichent successivement. L'écran commence à afficher les niveaux sonores. Les nombres « 1 », « 2 », « 3 » puis « Off » (Arrêt) s'affichent successivement. Lorsque Cycle Signal (Signal de programme) est activé, la dernière valeur affichée sera la sélection en cours.

RÉINITIALISATION AUX VALEURS D'USINE

Appuyer sur les touches Temp (Température) et Soil (Saleté) jusqu'à ce que le compte à rebours affiché soit terminé. L'appareil se remet sous tension une fois le message « Select Language » (Sélectionner langue) s'affiche.

GUIDE DES PROGRAMMES DE LA LAVEUSE

Les réglages et options indiqués en **gras** sont les réglages par défaut pour ce programme de lavage. Pour un meilleur soin des tissus, choisir le programme, les options et les réglages qui conviennent le mieux à la charge à laver. Toujours lire et suivre les instructions figurant sur les étiquettes de soin des tissus et sur les produits de lessive. Éviter de tasser les vêtements dans la laveuse. La laveuse ne rince ou n'essore pas bien si les vêtements sont tassés. Les réglages ne sont pas tous offerts sur tous les programmes et certaines options ne peuvent pas être combinées. Certaines options ne sont pas disponibles sur certains modèles.

AVERTISSEMENT : Pour réduire le risque d'incendie, de décharge électrique ou de blessures, lire les INSTRUCTIONS IMPORTANTES DE SÉCURITÉ du guide d'utilisation de votre appareil avant de faire fonctionner cet appareil.

Programme	Articles à laver	Soil Level (Niveau de saleté)	Température de lavage	Vitesse d'essorage	Options de lavage	Description
Normal/ Regular (Normal/ Ordinaire)	Charges d'articles en coton, de linge de maison, de draps et de vêtements mixtes présentant un niveau de saleté normal	Extra Heavy (Très intense) Heavy (Intense) Normal Light (Léger)	Extra Hot (Très chaude) Hot (Chaude) Warm (Tiède) Cool (Fraîche) Cold (Froide)	Fast (Rapide) Medium (Moyenne) Off (Désactivée)	Extra Rinse (Rinçage supplémentaire) : On (Activé) ou Off (Désactivé) PreSoak (Prétrempe) : On (Activé) ou Off (Désactivé) FanFresh : On (Activé) ou Off (Désactivé) Steam Clean (Nettoyage à la vapeur) : On (Activé) ou Off (Désactivé) UV Clean (Nettoyage UV) : On (Activé) ou Off (Désactivé)	Ce programme combine un culbutage à vitesse moyenne et un essorage à vitesse très élevée. Ce programme est conçu pour fournir la meilleure efficacité écoénergétique.
Heavy Duty (Service intense)	Vêtements robustes, aux couleurs grand teint et très sales	Extra Heavy (Très intense) Heavy (Intense) Normal Light (Léger)	Extra Hot (Très chaude) Hot (Chaude) Warm (Tiède) Cool (Fraîche) Cold (Froide)	Fast (Rapide) Medium (Moyenne) Slow (Lente) Off (Désactivée)	Extra Rinse (Rinçage supplémentaire) : On (Activé) ou Off (Désactivé) PreSoak (Prétrempe) : On (Activé) ou Off (Désactivé) FanFresh : On (Activé) ou Off (Désactivé) Steam Clean (Nettoyage à la vapeur) : On (Activé) ou Off (Désactivé) UV Clean (Nettoyage UV) : On (Activé) ou Off (Désactivé)	Ce programme utilise un culbutage rapide et des températures d'eau plus chaudes pour aider à fournir un nettoyage optimal.

Programme	Articles à laver	Soil Level (Niveau de saleté)	Température de lavage	Vitesse d'essorage	Options de lavage	Description
Delicates (Vêtements délicats)	Tissus transparents, lingerie, pulls et vêtements habillés légèrement sales	Extra Heavy (Très intense) Heavy (Intense) Normal Light (Léger)	Hot (Chaude) Warm (Tiède) Cool (Fraîche) Cold (Froide)	Fast (Rapide) Medium (Moyenne) Slow (Lente) Off (Désactivée)	Extra Rinse (Rinçage supplémentaire) : On (Activé) ou Off (Désactivé) PreSoak (Prétrempage) : On (Activé) ou Off (Désactivé) FanFresh : On (Activé) ou Off (Désactivé) Steam Clean (Nettoyage à la vapeur) : On (Activé) ou Off (Désactivé)	Ce programme combine une eau plus fraîche et un culbutage à basse vitesse pour assurer un soin délicat des tissus.
Handwash (Lavage à la main)	Vêtements légèrement à fortement souillés qui bénéficient d'un prétraitement avant un lavage complet.	Extra Heavy (Très intense) Heavy (Intense) Normal Light (Léger)	Extra Hot (Très chaude) Hot (Chaude) Warm (Tiède) Cool (Fraîche) Cold (Froide)	Fast (Rapide) Medium (Moyenne) Slow (Lente) Off (Désactivée)	Extra Rinse (Rinçage supplémentaire) : On (Activé) ou Off (Désactivé) PreSoak (Prétrempage) : On (Activé) ou Off (Désactivé) FanFresh : On (Activé) ou Off (Désactivé) Steam Clean (Nettoyage à la vapeur) : On (Activé) ou Off (Désactivé) UV Clean (Nettoyage UV) : On (Activé) ou Off (Désactivé)	Déloger délicatement les saletés des articles délicats qui nécessitent un peu plus de soin avec le programme Handwash (Lavage à la main). Choisir la température de l'eau et le niveau de saleté pour éliminer les taches tout en aidant à maintenir la forme et la taille des tissus.

Programme	Articles à laver	Soil Level (Niveau de saleté)	Température de lavage	Vitesse d'essorage	Options de lavage	Description
Whites (Blancs)	Tissus et vêtements blancs sales	Extra Heavy (Très intense) Heavy (Intense) Normal Light (Léger)	Extra Hot (Très chaude) Hot (Chaude) Warm (Tiède) Cool (Fraîche) Cold (Froide)	Fast (Rapide) Medium (Moyenne) Slow (Lente) Off (Désactivée)	Extra Rinse (Rinçage supplémentaire) : On (Activé) ou Off (Désactivé) PreSoak (Prétrempage) : On (Activé) ou Off (Désactivé) FanFresh : On (Activé) ou Off (Désactivé) Steam Clean (Nettoyage à la vapeur) : On (Activé) ou Off (Désactivé) UV Clean (Nettoyage UV) : On (Activé) ou Off (Désactivé)	Ce programme utilise un temps de lavage plus long avec un culbutage rapide pour nettoyer les vêtements blancs.
Sanitize (Assainissement)	Vêtements, articles de literie et serviettes nécessitant un assainissement	Extra Heavy (Très intense) Heavy (Intense) Normal Light (Léger)	Extra Hot (Très chaude)	Fast (Rapide) Medium (Moyenne)	Extra Rinse (Rinçage supplémentaire) : On (Activé) ou Off (Désactivé) PreSoak (Prétrempage) : On (Activé) ou Off (Désactivé) FanFresh : On (Activé) ou Off (Désactivé) Steam Clean (Nettoyage à la vapeur) : On (Activé) ou Off (Désactivé) UV Clean (Nettoyage UV) : On (Activé) ou Off (Désactivé)	Le programme Sanitize (Assainissement) utilise une eau plus chaude pour éliminer 99,9 % des bactéries de maison communes. Vérifier la température de lavage recommandée pour les articles à laver. REMARQUE : Les tests portaient sur les bactéries K. pneumoniae, P. aeruginosa et S. aureus.
Downloaded Cycle (Programme téléchargé)	Downloaded Cycle (Programme téléchargé)	N. D.	N. D.	N. D.	N. D.	Créer des programmes personnalisés en quelques étapes à partir de l'application.

Programme	Articles à laver	Soil Level (Niveau de saleté)	Température de lavage	Vitesse d'essorage	Options de lavage	Description
Quick Wash (Lavage rapide)	Vêtements peu sales	Extra Heavy (Très intense) Heavy (Intense) Normal Light (Léger)	Extra Hot (Très chaude) Hot (Chaude) Warm (Tiède) Cool (Fraîche) Cold (Froide)	Fast (Rapide) Medium (Moyenne) Slow (Lente) Off (Désactivée)	Extra Rinse (Rinçage supplémentaire) : On (Activé) ou Off (Désactivé) PreSoak (Prétrempage) : On (Activé) ou Off (Désactivé) FanFresh : On (Activé) ou Off (Désactivé) Steam Clean (Nettoyage à la vapeur) : On (Activé) ou Off (Désactivé)	Ce programme utilise des températures de lavage moyenne et chaude pour laver une charge complète faisant jusqu'à 10 lb (0,45 kg) en seulement 25 minutes.
Bedding (Literie)	Articles de grande taille comme les sacs de couchage, les petits duvets et les vestes	Extra Heavy (Très intense) Heavy (Intense) Normal Light (Léger)	Extra Hot (Très chaude) Hot (Chaude) Warm (Tiède) Cool (Fraîche) Cold (Froide)	Fast (Rapide) Medium (Moyenne) Slow (Lente) Off (Désactivée)	Extra Rinse (Rinçage supplémentaire) : On (Activé) ou Off (Désactivé) PreSoak (Prétrempage) : On (Activé) ou Off (Désactivé) FanFresh : On (Activé) ou Off (Désactivé) Steam Clean (Nettoyage à la vapeur) : On (Activé) ou Off (Désactivé) UV Clean (Nettoyage UV) : On (Activé) ou Off (Désactivé)	Ce programme utilise un modèle de culbutage spécifique, de l'eau tiède et une vitesse d'essorage moyenne pour accueillir les articles volumineux. REMARQUE : Ne pas tasser le linge dans le panier.
Drain & Spin (Vidange et essorage)	Charges mouillées	N. D.	N. D.	Fast (Rapide) Medium (Moyenne) Slow (Lente) Off (Désactivée)	Extra Rinse (Rinçage supplémentaire) : On (Activé) ou Off (Désactivé) FanFresh : On (Activé) ou Off (Désactivé)	Ce programme enlève toute l'eau restée dans la charge. REMARQUE Si aucun essorage n'est sélectionné, la machine n'effectuera qu'une vidange.
Dry Drum (Tambour sec)	Pas de vêtements dans la laveuse	N. D.	N. D.	N. D.	N. D.	Un ventilateur intégré réduit l'excès d'humidité, ce qui aide à prévenir les causes courantes d'odeur des laveuses à chargement frontal. Il est donc possible de laisser la porte fermée en sachant que la machine est encore en train de sécher pendant l'exécution du programme.

Programme	Articles à laver	Soil Level (Niveau de saleté)	Température de lavage	Vitesse d'essorage	Options de lavage	Description
Clean Washer with affresh® (Nettoyage de la laveuse avec affresh®)	Pas de vêtements dans la laveuse	N. D.	N. D.	N. D.	FanFresh : On (Activé) ou Off (Désactivé)	Utiliser ce programme à l'issue de chaque série de 30 lavages pour que l'intérieur de la laveuse reste frais et propre. Ce programme utilise un niveau d'eau plus élevé. Utiliser une tablette de nettoyant pour laveuse affresh® ou de l'eau de Javel pour nettoyer soigneusement l'intérieur de la laveuse. Ce programme ne doit pas être interrompu. Voir « Entretien de la laveuse » dans le Guide du produit. IMPORTANT : Ne pas placer de vêtements ou d'autres articles dans la laveuse pendant le programme Clean Washer with affresh® (Nettoyage de la laveuse avec affresh®). Utiliser ce programme avec une cuve de lavage vide.
Downloaded Cycle (Programme téléchargé) disponibles à partir de l'application.						
Wrinkle Control (Antifroissement)	Les chemises, chemisiers, pantalons et robes légèrement sales	Extra Heavy (Très intense) Heavy (Intense) Normal Light (Léger)	Extra Hot (Très chaude) Hot (Chaude) Warm (Tiède) Cool (Fraîche) Cold (Froide)	Fast (Rapide) Medium (Moyenne) Slow (Lente) Off (Désactivée)	Extra Rinse (Rinçage supplémentaire) : On (Activé) ou Off (Désactivé) PreSoak (Prétrempage) : On (Activé) ou Off (Désactivé) FanFresh : On (Activé) ou Off (Désactivé) Steam Clean (Nettoyage à la vapeur) : On (Activé) ou Off (Désactivé) UV Clean (Nettoyage UV) : On (Activé) ou Off (Désactivé)	Ce programme combine un culbutage à basse vitesse avec un essorage à vitesse moyenne pour assurer un soin délicat des tissus et réduire le froissement.

Programme	Articles à laver	Soil Level (Niveau de saleté)	Température de lavage	Vitesse d'essorage	Options de lavage	Description
Active Wear (Vêtements de sport)	Vêtements de travail, tenues de sport ou vêtements synthétiques	Extra Heavy (Très intense) Heavy (Intense) Normal Light (Léger)	Hot (Chaude) Warm (Tiède) Cool (Fraîche) Cold (Froide)	Fast (Rapide) Medium (Moyenne) Slow (Lente) Off (Désactivé)	Extra Rinse (Rinçage supplémentaire) : On (Activé) ou Off (Désactivé) PreSoak (Prétrempage) : On (Activé) ou Off (Désactivé) FanFresh : On (Activé) ou Off (Désactivé) Steam Clean (Nettoyage à la vapeur) : On (Activé) ou Off (Désactivé) UV Clean (Nettoyage UV) : On (Activé) ou Off (Désactivé)	Ce programme utilise un culbutage lent et un essorage moyen pour nettoyer en douceur les vêtements de sport.
Jeans	Jeans and denim	Extra Heavy (Très intense) Heavy (Intense) Normal Light (Léger)	Extra Hot (Très chaude) Hot (Chaude) Warm (Tiède) Cool (Fraîche) Cold (Froide)	Fast (Rapide) Medium (Moyenne) Slow (Lente) Off (Désactivée)	Extra Rinse (Rinçage supplémentaire) : On (Activé) ou Off (Désactivé) PreSoak (Prétrempage) : On (Activé) ou Off (Désactivé) FanFresh : On (Activé) ou Off (Désactivé) UV Clean (Nettoyage UV) : On (Activé) ou Off (Désactivé)	Ce programme utilise une eau plus fraîche et une vitesse d'essorage plus lente pour prendre soin des jeans. Ce cycle utilise une eau plus fraîche et une vitesse de culbutage modéré pour nettoyer les articles en denim.

Programme	Articles à laver	Soil Level (Niveau de saleté)	Température de lavage	Vitesse d'essorage	Options de lavage	Description
Towels (Serviettes)	Serviettes et débarbouillettes résistantes	Extra Heavy (Très intense) Heavy (Intense) Normal Light (Léger)	Extra Hot (Très chaude) Hot (Chaude) Warm (Tiède) Cool (Fraîche) Cold (Froide)	Fast (Rapide) Medium (Moyenne) Slow (Lente) Off (Désactivée)	Extra Rinse (Rinçage supplémentaire) : On (Activé) ou Off (Désactivé) PreSoak (Prétrempage) : On (Activé) ou Off (Désactivé) FanFresh : On (Activé) ou Off (Désactivé) Steam Clean (Nettoyage à la vapeur) : On (Activé) ou Off (Désactivé) UV Clean (Nettoyage UV) : On (Activé) ou Off (Désactivé)	Ce programme ajoute plus d'eau pour les charges absorbantes, prolonge la durée de lavage et utilise une vitesse d'essorage très rapide pour réduire la durée de séchage.
Swimwear (Maillots)	Swimwear (Maillots)	Extra Heavy (Très intense) Heavy (Intense) Normal Light (Léger)	Hot (Chaude) Warm (Tiède) Cool (Fraîche) Cold (Froide)	Fast (Rapide) Medium (Moyenne) Slow (Lente) Off (Désactivée)	Extra Rinse (Rinçage supplémentaire) : On (Activé) ou Off (Désactivé) PreSoak (Prétrempage) : On (Activé) ou Off (Désactivé) FanFresh : On (Activé) ou Off (Désactivé) UV Clean (Nettoyage UV) : On (Activé) ou Off (Désactivé)	Ce programme est conçu pour nettoyer en douceur les maillots de bain.

REMARQUE : Tous les rinçages se font à l'eau froide.

REMARQUE : La vitesse d'essorage varie selon le modèle.

REMARQUE : Le programme Normal est recommandé pour laver des vêtements en coton ou en lin avec un degré de saleté normal. Les certifications énergétiques gouvernementales de cette laveuse étaient basées sur le programme Normal/Regular (Ordinaire) avec essorage rapide, saleté moyenne et toutes les sélections de température de lavage offertes dans le programme. La laveuse a été testée en tant que laveuse de vêtements avec système de commande de remplissage d'eau automatique. Les réglages livrés sont les programmes Normal/Regular (Ordinaire), température de lavage Warm (Tiède) et niveau Auto Water (Eau automatique). Les programmes disponibles pour le téléchargement après-vente peuvent consommer plus d'énergie que le programme Normal/Regular (Ordinaire), sur lequel la cote de consommation d'énergie de cette laveuse est basée.

⚠ AVERTISSEMENT



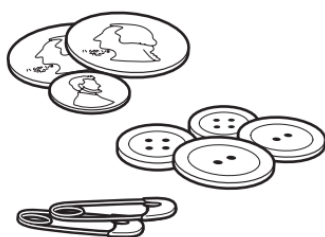
Risque d'incendie

Ne jamais mettre des articles humectés d'essence ou d'autres fluides inflammables dans la laveuse.

Aucune laveuse ne peut complètement enlever l'huile.

Ne pas faire sécher des articles qui ont été salis par tout genre d'huile (y compris les huiles de cuisson).

Le non-respect de ces instructions peut causer un décès, une explosion ou un incendie.


















Trier et préparer les articles

- Trier les articles en fonction du programme et de la température d'eau recommandés, ainsi que de la solidité des teintures.
- Séparer les articles très sales des articles peu sales. Séparer les articles délicats des tissus résistants.
- Traiter les taches sans délai et contrôler la solidité des teintures pour tester les produits d'élimination de taches sur une couture intérieure.
- Vider les poches. Les pièces de monnaie, boutons et autres petits objets peuvent obstruer les pompes et nécessiter une intervention de dépannage.
- Fermer les fermetures à glissière, attacher les crochets, cordons et ceintures en tissu, et retirer tout accessoire et ornement non lavables.
- Réparer les déchirures pour éviter que les articles ne s'endommagent encore davantage lors du nettoyage.
- Lors du lavage d'articles étanches ou résistants à l'eau, charger la machine de façon uniforme.
- Utiliser des sacs en filet pour aider à empêcher l'emmêlement lors du lavage d'articles délicats ou de petits articles.
- Retourner les tricotés pour éviter le boulochage. Séparer les articles qui retiennent la charpie des articles qui la transmettent. Les articles synthétiques, tricotés et articles en velours retiennent la charpie provenant des serviettes, des tapis et des tissus chenille.
- Retirer rapidement les vêtements une fois le programme terminé pour empêcher la formation d'odeurs, réduire le froissement et empêcher les crochets métalliques, fermetures à glissière et boutons-pression de rouiller.
- Ne pas sécher les vêtements si les taches sont toujours présentes après le lavage car la chaleur pourrait fixer les taches sur les tissus.

REMARQUE : Toujours lire et suivre les instructions de l'étiquette de soin des tissus pour éviter d'endommager les articles.

OPTIONS ET ICÔNES POUR LA LAVEUSE ET LA SÈCHEUSE

Icône	Description	État	Plateforme
	Porte verrouillée	Activé	Laveuse
	Connectée à un réseau Wi-Fi	On (Activé)	Laveuse/sècheuse
	Connexion Wi-Fi existante perdue	Erreur	
	Mise en marche à distance activée	On (Activé)	Laveuse/sècheuse
	Control Lock (Verrouillage des commandes) activé	On (Activé)	Laveuse/sècheuse
	Mise en marche différée activée	On (Activé)	Laveuse
	Extra Rinse (Rinçage supplémentaire) activé	On (Activé)	Laveuse
	Ajout d'assouplissant activé	On (Activé)	Laveuse
	Wrinkle Shield (Antifroissement)/FanFresh activé	On (Activé)	Laveuse/sècheuse
	UV Clean (Nettoyage UV) activé	On (Activé)	Laveuse
	UV Clean (Nettoyage UV) désactivé	Off (Désactivé)	
	Signal de programme mis en sourdine	S'affiche seulement lors de la modification de l'option.	Laveuse/sècheuse
	Signal de programme faible		
	Signal de programme moyen		
	Signal de programme élevé		

GUIDE D'INVERSION DE LA PORTE

INSTRUCTIONS POUR L'INVERSION DE LA PORTE DE LA SÈCHEUSE

Portes rondes avec câblage électrique :

Outils nécessaires

Tournevis étoile TORX®, T20® et T25®+ d'une longueur minimum de 8 po (203 mm).



Tournevis cruciforme no 2



⚠ AVERTISSEMENT



Risque de décharge électrique

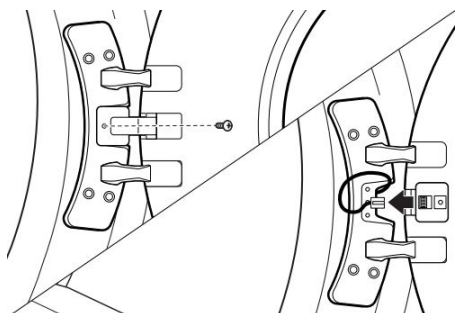
Déconnecter la source de courant électrique avant l'entretien.

Replacer pièces et panneaux avant de faire la mise en marche.

Le non-respect de cette instruction peut causer un décès ou une décharge électrique.

1. Déconnecter le câblage de la porte

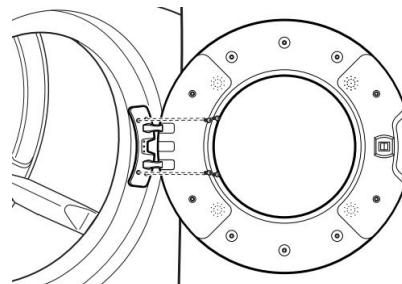
À l'aide d'un tournevis cruciforme, retirer la vis centrale de la charnière. Débrancher le câblage. Passer le câblage dans l'ouverture.



2. Retirer la porte de la sécheuse

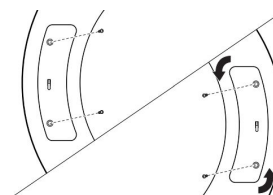
IMPORTANT : Si l'on n'a pas encore retiré la pellicule protectrice de la sécheuse, la décoller de la porte de la sécheuse avant de continuer.

À l'aide d'un tournevis T25®, retirer les quatre vis fixant la charnière de porte à la sécheuse et soulever la porte vers le haut et l'extérieur pour l'enlever. Placer la porte sur une serviette douce ou sur une surface lisse.



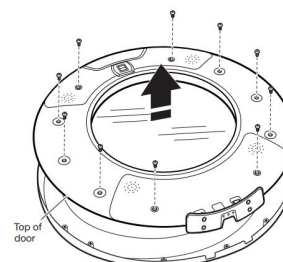
3. Déplacer la gâche de la porte

À l'aide d'un tournevis T25®, retirer les deux vis fixant la gâche de la porte au châssis de la porte de la sécheuse. Faire pivoter la gâche de 180° et la fixer au côté opposé du châssis de la porte de la sécheuse à l'aide des deux vis enlevées précédemment, comme indiqué.



4. Dégager la porte interne de la porte externe

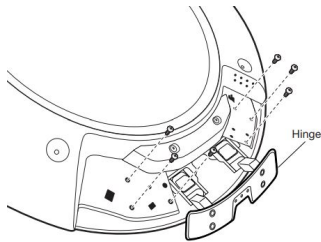
Positionner la porte de façon à ce que l'intérieur de la porte soit orienté vers le haut. À l'aide d'un tournevis cruciforme, retirer les 10 vis fixant l'intérieur de porte à l'extérieur de porte.



+TORX T20 et T25 sont des marques déposées de Acument Intellectual Properties, LLC.

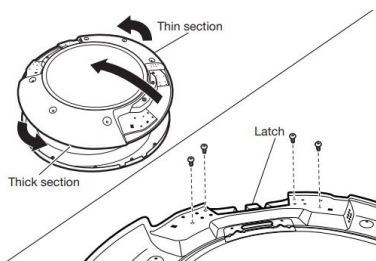
5. Enlever la charnière

Retirer la plaque de couvercle pour révéler la charnière. À l'aide d'un tournevis T20,[®] retirer les six vis maintenant en place la charnière.



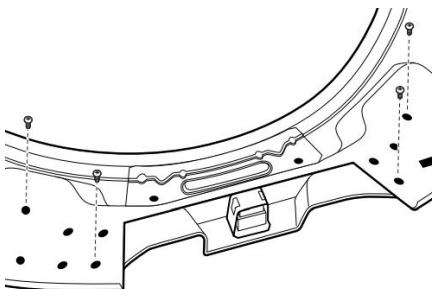
6. Enlever le loquet

Inverser et faire pivoter l'intérieur de porte de 180° pour que la section mince se situe en haut et la section épaisse en bas. À l'aide d'un tournevis T25,[®] retirer les quatre vis maintenant en place la plaque du loquet.



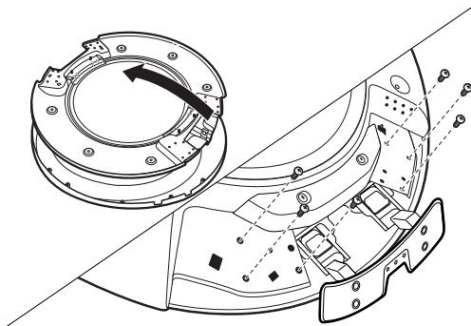
7. Réinstaller le loquet sur l'autre côté

À l'aide d'un tournevis T25,[®] réinstaller la plaque du loquet sur le côté opposé (par rapport à celui d'où il a été enlevé) en utilisant les quatre vis enlevées précédemment.



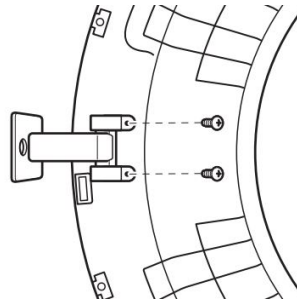
8. Réinstaller la charnière sur l'autre côté

Inverser l'intérieur de porte vers la gauche. À l'aide d'un tournevis T20,[®] réinstaller la charnière sur le côté opposé (par rapport à celui d'où il a été enlevé).



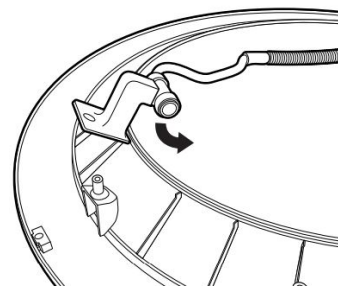
9. Enlever l'ensemble de rotation

Soulever le panneau interne de porte. À l'aide d'un tournevis cruciforme, retirer les deux vis fixant l'ensemble de rotation à la porte.



10. Replacer l'ensemble de rotation et le tube de 180°, du côté opposé de la porte.

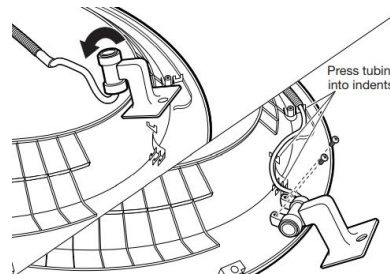
Replacer l'ensemble de rotation et le tube de 180°, du côté opposé de la porte.



11. Faire tourner la base de l'ensemble et serrer

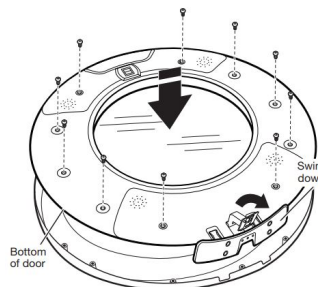
IMPORTANT : S'assurer d'ouvrir la charnière vers le bas en avant de l'ensemble de rotation (voir l'étape 12).

Faire tourner la base de l'ensemble de 180° vers vous et le fixer à l'aide des deux vis enlevées précédemment à l'aide d'un tournevis cruciforme. Insérer la canalisation dans les fentes et réinstaller la plaque de couvercle de la charnière.



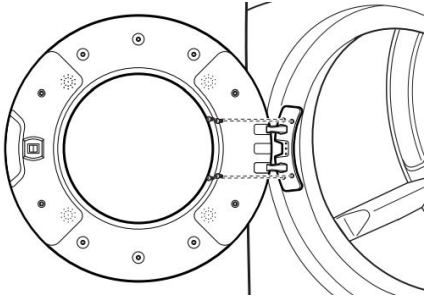
12. Réinstaller l'intérieur de porte

Positionner la porte de façon à ce que l'intérieur de la porte soit orienté vers le haut. À l'aide d'un tournevis cruciforme, retirer les 10 vis fixant l'intérieur de porte à l'extérieur de porte.



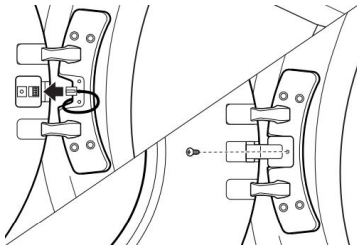
13. Réinstaller la porte sur la sècheuse

Portes avec câblage électrique : Passer le câblage par l'ouverture du panneau avant, avant de réinstaller la porte. Insérer les onglets sur la charnière dans l'encoche de montage et les faire glisser vers le bas pour engager l'onglet supérieur. Fixer avec les quatre vis T25® enlevées précédemment.



14. Rebrancher le câblage (portes avec câblage électrique)

Brancher le câblage. À l'aide d'un tournevis cruciforme, fixer l'ensemble de rotation à la charnière en utilisant la vis enlevée précédemment.



Dépannage

Voir le manuel d'utilisation ou consulter notre site Web et la Foire aux questions pour éventuellement éviter le coût d'une intervention de réparation.