


**24" Stainless Steel Tub Built-In Dishwasher with SmartBoost™**

Dishwasher

Available Products: EDSH4944BS

Available Colors: Stainless Steel

Version: 03/26

**Product Specifications**
**Dishwasher**

Detergent Dispenser	Yes
Filter Material	Stainless Steel
Filter Trap	Removable
Filtered Water	100 %
Hard Food Disposer or Filtration	Yes
Interior Light	Yes
Leak Detection System	Yes
Motor Speeds	Multi-Speed
Place Setting Capacity	14
Rinse Aid Dispenser	Yes
Smart Soil Sensor	Yes
Lower Spray Arm	Orbit
Middle Spray Arm	Bi-Beam
Upper Spray Arm	Spray Arm
Status Indicator Floor Beam	Yes
Tub Color	Stainless Steel
Tub Design	Tall Tub
Tub Material	Stainless Steel
Wash Levels	5
Wash System	Direct Feed

**Dishwasher Options**

Air Dry	Yes
Dry - Air	Yes
Dry - Heat	Yes
Dry - Max	Yes
Drying System	Even Dry
Heated Dry	Yes
Start/Cancel	Yes

**Upper Rack**

Cup Shelf	Yes
Fold-Down	Yes
Maximum Height Clearance	10 3/8"
Minimum Height Clearance	8 1/2"
Rack Coating	Nylon
Rack Handles	Yes
Rack Type	Deluxe
Stemware Holder	Yes
Targeted Wash Zone	Yes

**Dishwasher Cycles**

China Crystal	Yes
Energy Saver	Yes
Favorite	Yes
Heavy	Yes
Normal	Yes
Number of Cycles	8
Quick	Yes
Rinse Only	Yes
Sanitize	Yes

**Lower Rack**

Fold-Down	Yes
Maximum Height Clearance	13 1/4"
Minimum Height Clearance	11 1/4"
Number of Silverware Basket	1
Number of Silverware Basket Lids	2
Rack Coating	Nylon
Rack Type	Deluxe

**Third Level Rack**

Third Level Rack	Yes
Rack Coating	Nylon

**Exterior**

Door and Handle Design	Handle
Door Latch	Pull
Door Type	StayPut

**Electrical Specifications**

Amps @ 120 Volts	15 Amps
Voltage Rating	120 V

**General Specifications**

Sound Level	45 dBA
Annual Energy	240 kWh
Prop 65 Label	No
Warranty - Labor	1 Year
Warranty - Parts	1 Year

**Performance Certifications and Approvals**

CEE Tier	Tier 1
ENERGY STAR Certified	Yes

**Controls**

Control Location	Top
Control Lock	Yes
Delay Start Hours	1-12 Hours
Digital Display	Yes
Rinse Aid Indicator	Yes

**Dimensions and Volume**

Minimum Height	33 3/4"
Maximum Height	35 3/4"
Width	24"
Depth	24 1/4"
Depth With Door Open	50 1/4"
Depth With Handle	26 69/100"

**Installation**

Connection Location	Right Bottom
Number of Leveling Legs	3
Water Inlet Location	Left Bottom Front

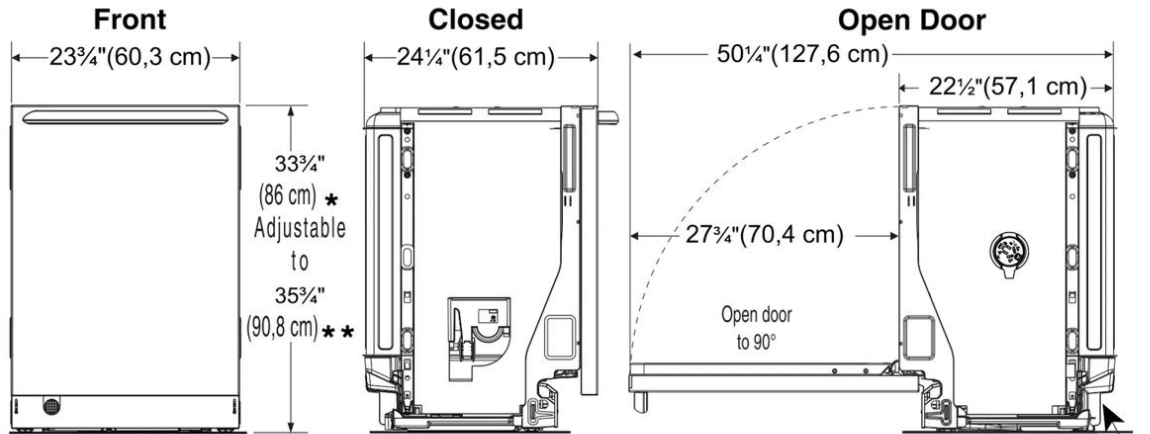
**Certifications and Approvals**

ADA Compliant	No
---------------	----

**Safety Certifications and Approvals**

cUL Listed	Yes
Meets ASSE 1006 Requirements	Yes
NSF Certified	Yes
UL Listed	Yes

## Installation Diagram



**\*\*** Height only adjustable to 35 3/4" (90,8 cm) max when installed in 35 3/4" (90,8 cm) max standard cabinetry cutout. to 35 3/4"

**\*** DIMENSIONS DO NOT INCLUDE INSULATION - INSULATION BLANKET MAY BE COMPRESSED UPON INSTALLATION. Power supply/water inlet location

