

LG SIGNATURE

LSGU6339X

LG SIGNATURE 30" Gas Range with Camera

KEY FEATURES

- Dynamic ProBake® Convection
- EasyClean® with Self Clean
- Glass Touch (SmoothTouch™)
- 6.8" Color TFT LCD
- WideView™ Window
- ThinQ®



Knob



Drawer



ThinQ App

PRODUCT FEATURES

SUMMARY		APPEARANCES		SMART FEATURES	
Type	Gas Single Oven Slide-In	Available Colors	Anti-Finger Stainless Steel	ThinQ® (Wi-Fi Enabled)	Yes
Oven Capacity (cu.ft.)	6.3	Knobs	Aluminum	ThinQ Up	Yes
Color	PrintProof™ Stainless Steel	Knobs Material	Aluminum	Check & Control	Yes
CAPACITY		Knob Lighting (Backlit Dial Knob)	Yes	Voice Control	Google Assistant & Amazon Alexa
Oven Capacity (cu.ft.)	6.3	Handle	Aluminum	Smart Recipe (3rd Party Recipe App)	Sidechef
Warming Drawer Capacity (cu.ft.)	-	Handle Material	Aluminum	Proactive Customer Care	Yes
Storage Drawer Capacity (cu.ft.)	0.8 (no Handle)	Handle Type	Bar Type	SmartDiagnosis™	Yes
COOKTOP		PrintProof™ Finish	Yes	Camera	Yes
Burner/BTU - Left Rear	9,100 BTU	Oven Door Feature	WideView™ Window	POWER/RATINGS	
Burner/BTU - Right Rear	5,000 BTU	Cooktop Finish	EasyClean® Stainless Steel	Required Power Supply (amp)	120V/60Hz/4.2A
Burner/ BTU - Left Front	18,000 BTU	DRAWER FEATURES		DIMENSIONS / CLEARANCES/ WEIGHT	
Burner/ BTU - Right Front	23,000 BTU	Type	Storage	Shipping Weight	235 lbs.
Center (Oval Burner)	10,000 BTU Oval	Levels	-	Product Weight	235 lbs.
OVEN FEATURES		Time Control	No	Cabinet Width	30"
Broil Element (BTU)	17,000 BTU	CONTROL		Overall Depth without handle	26 7/8"
Bake Element (BTU)	19,000 BTU	Cooktop Control Type	Front Control Knobs	Overall Depth including handle	29 5/16" (743.9 mm)
Convection Fan	BLDC (DC 24V/500-2600rpm), forward and reverse rotation	Flex Control Knob	No	Overall Height	37 1/8" (943.0mm)
Convection Type	Dynamic ProBake® Convection	Oven Control Type	Glass Touch (SmoothTouch™)	Overall Width	29 7/8" (759mm)
Oven Mode	Bake, Conv. Bake, Conv. Roast, Broil High, Broil Low, Warm, Proof, Frozen Meal, Air Fry, Air Sous-Vide,	Display	6.8" Color TFT LCD	Oven Interior Dimensions (W x H x D)	24 7/8" x 21 3/8" x 20"
	Air Roast, Pizza, Crispy Reheat, Dehydrate, Auto cook, EasyClean®, Self Clean	Language	English/ Spanish/ French	Height to Cooking Surface	36"
		Clock	12hr or 24hr (Option)	Drawer Dimensions (W x H x D)	22 3/16" x 4 1/2" x 16 3/8"
		Kitchen Timer	Yes	Carton Dimensions (W x H x D)	32 1/2" x 44" x 30 1/2"
Oven Control Features	Glass Touch (SmoothTouch™)	Timed Cook	Yes	LIMITED WARRANTY	
Convection Conversion	Yes	Temperature Unit of Measure	Fahrenheit / Celsius	Parts and Labor	2 Year
EasyClean®	Yes	Cooking Complete Reminder Volume	Beeper (Hi, Lo, Off)	UPC CODE	
EasyClean® Time	10 mins	Certified Sabbath mode	Yes	LSGU6339X	048231349680
Self Clean	Yes	ACCESSORIES			
No. of Rack Positions	7	Griddle Plate	1		
Door Lock	Yes	Gliding Rack	1		
Automatic Safety Shut-Down	Broil, Warm, Pizza : After 3 hours	Air Fry Tray	1		
	Air sous-vide : After 48 hours	Heavy Duty Rack	1		
	Esc : After 12 hours	Offset Rack	1		
InstaView	Yes	Wok Grate	1		
		Temperature Probe	1		
		Conversion Kit	1		
		Grid	1		
		Broiler Pan	1		
		Rear Filler	1		

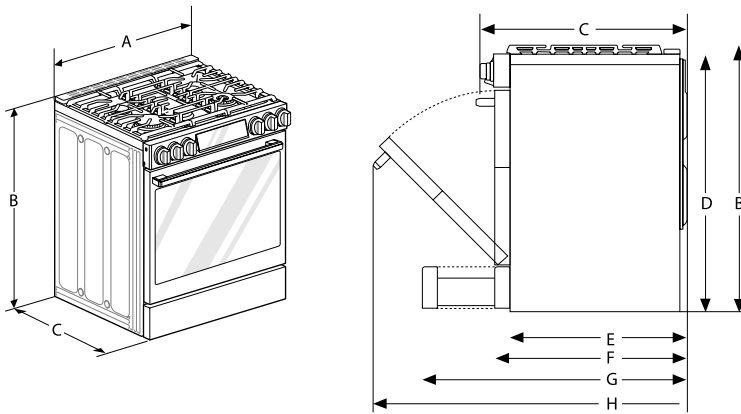
LSGU6339X

30" Gas Range with Camera

QUICK INSTALL & CLEARANCES

For full installation directions/clearances please refer to the corresponding User Manual and Installation Guide.

PRODUCT DIMENSIONS



DIMENSION

	DIMENSION	
A	Width	29 7/8" (758.8 mm)
B	Height	37 1/4" (946 mm)
C	Depth with Door Handle	29 3/8" (745.2 mm)
D	Height (Excludes Vent Trim)	36" (913.0 mm)
E	Depth (Includes only the product body that is loaded into the cabinet. Excludes door, drawer, and handles)	24 3/4" (629.4 mm)
F	Depth (Excludes Door Handle)	26 7/8" (683 mm)
G	Depth when drawer is fully opened	36 1/16" (916.2 mm)
H	Depth when door is fully opened	48 5/8" (1 235.9 mm)

Ventilation

Do not locate your range where it may be subject to strong drafts. Any openings in the floor or wall behind the range should be sealed. Make sure the openings around the base of the range that supply fresh air for combustion and ventilation are not blocked by carpeting or woodwork.

• This appliance must not be installed with a ventilation system that blows air downward toward the range. This type of ventilation system may cause ignition and combustion problems

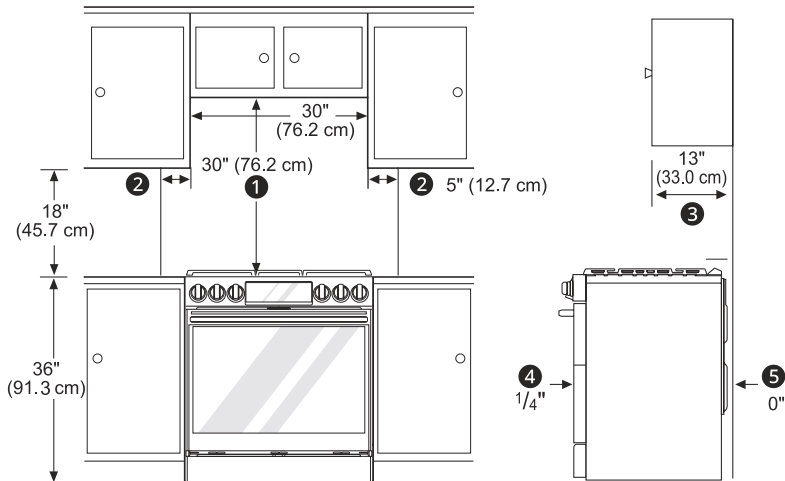
Dimensions and Clearances

Provide enough clearance between the cooktop and adjacent combustible surfaces.

These dimensions must be met for safe use of your cooktop.

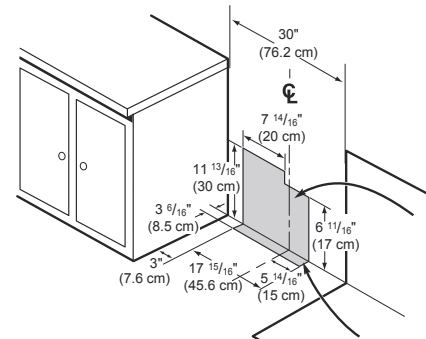
The location of the electrical outlet and pipe opening may be adjusted to meet specific requirements. The cooktop must be placed with at least 2 3/4" of clearance to the back wall.

CLEARANCE



- 1 Minimum
- 2 Minimum clearance to left/right wall
- 3 Maximum depth for cabinets above countertops
- 4 Front edge of the range side panel forward from cabinet
- 5 To cabinet below cooktop and at the range back

Gas Pipe and Electrical Outlet Locations



Leveling the Range

Level the range by adjusting the leveling legs with a wrench. Extending the legs slightly may also make it easier to insert the rear leg into the anti tip bracket.

