

# CHEST FREEZER OWNER'S MANUAL

## MANUEL D'UTILISATION DU CONGÉLATEUR HORIZONTAL

### MANUAL DEL PROPIETARIO DEL CONGELADOR HORIZONTAL

---

#### Table of Contents/Table des matières/Índice

<b>FREEZER SAFETY</b> .....	2
Chest Freezer Safety .....	2
<b>MAINTENANCE AND CARE</b> .....	3
Cleaning .....	3
Vacation and Moving Care .....	3
<b>INSTALLATION INSTRUCTIONS</b> .....	4
Unpack the Freezer .....	4
Location Requirements .....	5
<b>OVERVIEW</b> .....	6
<b>INSTALLATION</b> .....	7
<b>DAILY USE</b> .....	8
<b>SÉCURITÉ DU CONGÉLATEUR</b> .....	15
Sécurité du congélateur horizontal .....	15
<b>ENTRETIEN ET RÉPARATION</b> .....	16
Nettoyage .....	16
Précautions à prendre pour les vacances et avant un déménagement .....	16
<b>INSTRUCTIONS D'INSTALLATION</b> .....	17
Déballage du congélateur .....	17
Exigences d'emplacement .....	18
<b>APERÇU</b> .....	19
<b>INSTALLATION</b> .....	20
<b>UTILISATION QUOTIDIENNE</b> .....	21
<b>SEGURIDAD DEL CONGELADOR</b> .....	28
Seguridad del congelador horizontal .....	28
<b>MANTENIMIENTO Y CUIDADO</b> .....	29
Limpieza .....	29
Cuidado durante las vacaciones y mudanzas .....	29
<b>INSTRUCCIONES DE INSTALACIÓN</b> .....	30
Cómo desembalar el congelador .....	30
Requisitos de ubicación .....	31
<b>DESCRIPCIÓN</b> .....	32
<b>INSTALACIÓN</b> .....	33
<b>USO DIARIO</b> .....	34

---

**WZCN339TW**  
**WZCN315TW**  
**WZCN317TW**  
**WZCN3511TW**

# FREEZER SAFETY

## Your safety and the safety of others are very important.

We have provided many important safety messages in this manual and on your appliance. Always read and obey all safety messages.



This is the safety alert symbol.

This symbol alerts you to potential hazards that can kill or hurt you and others.

All safety messages will follow the safety alert symbol and either the word "DANGER" or "WARNING." These words mean:

**⚠ DANGER**

You can be killed or seriously injured if you don't immediately follow instructions.

**⚠ WARNING**

You can be killed or seriously injured if you don't follow instructions.

All safety messages will tell you what the potential hazard is, tell you how to reduce the chance of injury, and tell you what can happen if the instructions are not followed.

## IMPORTANT SAFETY INSTRUCTIONS

**WARNING:** To reduce the risk of fire, electric shock, or injury to persons when using your appliance, follow basic precautions, including the following:

- Children should be supervised to ensure that they do not play with the appliance.
- This appliance is not intended for use by persons (including children) with reduced physical, sensory, or mental capabilities, or lack of experience and knowledge, unless they have been given supervision or instruction concerning use of the appliance by a person responsible for their safety.
- Do not use an extension cord.
- If power supply cord is damaged, it must be replaced by the manufacturer, its service agent, or a similarly qualified person in order to avoid a hazard.
- This appliance is intended to be used in household and similar applications such as: staff kitchen areas in shops, offices, and other working environments; farm houses and by clients in hotels, motels, and other residential-type environments; bed and breakfast-type environments; and catering and similar non-retail applications.
- Do not store explosive substances such as aerosol cans with a flammable propellant in this appliance.
- Do not use replacement parts that have not been recommended by the manufacturer (e.g., parts made at home using a 3D printer).
- Keep ventilation openings, in the appliance enclosure or in the built-in structure, clear of obstruction.
- Do not use mechanical devices or other means to accelerate the defrosting process, other than those recommended by the manufacturer.
- Do not damage the refrigerant circuit.
- Do not use electrical appliances inside the food storage compartments of the appliance, unless they are of the type recommended by the manufacturer.

**SAVE THESE INSTRUCTIONS**

## Proper Disposal of Your Old Freezer

**WARNING:** Risk of child entrapment. Before you throw away your old refrigerator or freezer:

- Take off the doors.
- Leave the shelves in place so that children may not easily climb inside.

### **⚠WARNING**

#### **Suffocation Hazard**

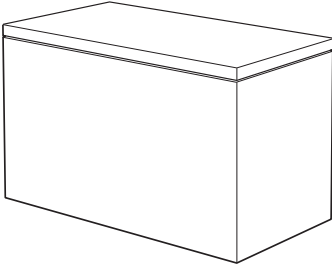
**Remove doors or lid from your old appliance.**

**Failure to do so can result in death or brain damage.**

**IMPORTANT:** Child entrapment and suffocation are not problems of the past. Junked or abandoned freezers are still dangerous, even if they will sit for "just a few days." If you are getting rid of your old freezer, please follow these instructions to help prevent accidents.

#### **Important information to know about disposal of refrigerants:**

Dispose of freezer in accordance with federal and local regulations. Refrigerants must be evacuated by a licensed, EPA-certified refrigerant technician in accordance with established procedures.



## MAINTENANCE AND CARE

### Cleaning

### **⚠WARNING**



#### **Explosion Hazard**

**Risk of Fire or Explosion.**

**Flammable Refrigerant Used.**

**Do Not Use Mechanical Devices to Defrost Freezer.**

**Do Not Puncture Refrigerant Tubing.**

Both the refrigerator and freezer sections defrost automatically. However, clean both sections about once a month to avoid odor buildup. Wipe up spills immediately.

#### **IMPORTANT:**

- Because air circulates between both sections, any odors formed in one section will transfer to the other. You must thoroughly clean both sections to eliminate odors. To avoid odor transfer and drying out of food, wrap or cover foods tightly.

#### **To Clean Your Freezer:**

**NOTE:** Do not use abrasive or harsh cleaners such as window sprays, scouring cleansers, flammable fluids, muriatic acid, cleaning waxes, concentrated detergents, bleaches, or cleansers containing petroleum products on exterior surfaces (doors and cabinet), plastic parts, interior, and door liners or gaskets. Do not use paper towels, scouring pads, or other harsh cleaning tools.

1. Unplug freezer or disconnect power.
2. Hand-wash, rinse, and dry removable parts and interior surfaces thoroughly. Use a clean sponge or soft cloth and a mild detergent in warm water.
3. Clean the exterior surfaces.  
**Painted metal:** Wash painted metal exteriors with a clean, soft cloth or sponge and a mild detergent in warm water. Rinse surfaces with clean, warm water and dry immediately to avoid water spots.

### **⚠WARNING**



#### **Explosion Hazard**

**Risk of Fire or Explosion due to Puncture of Refrigerant Tubing;**

**Follow Handling Instructions Carefully.**

**Flammable Refrigerant Used.**

## Vacation and Moving Care

### Vacations

**If You Choose to Leave the Freezer On While You're Away:**

Use up any perishables and freezer other items.

**If You Choose to Turn Off the Freezer Before You Leave:**

1. Remove all food from the refrigerator.
2. Turn off the Temperature control(s). See "Using the Controls" in the Quick Start Guide.
3. Clean freezer, wipe it, and dry well.
4. Tape rubber or wood blocks to the tops of both doors to prop them open far enough for air to get in. This stops odor and mold from building up.

### Moving

When you are moving your freezer to a new home, follow these steps to prepare it for the move.

1. Remove all food from the freezer and pack all frozen food in dry ice.
2. Turn off the Temperature control(s). See "Using the Controls" in the Quick Start Guide.
3. Unplug freezer.
4. Clean, wipe, and dry thoroughly.
5. Take out all removable parts, wrap them well, and tape them together so they don't shift and rattle during the move.
6. Depending on the model, raise the front of the freezer so it rolls more easily or raise the leveling screws so they don't scrape the floor. See online "Adjust the Door(s)" or "Door Closing and Door Alignment."
7. Tape the doors closed and tape the power cord to the back of the freezer.

# INSTALLATION INSTRUCTIONS

## Unpack the Freezer

### **⚠WARNING**

#### **Excessive Weight Hazard**

Use two or more people to move and install or uninstall appliance.

Failure to do so can result in back or other injury.

### **Remove the Packaging**

- Remove tape and glue residue from surfaces before turning on the freezer. Rub a small amount of liquid dish soap over the adhesive with your fingers. Wipe with warm water and dry.
- Do not use sharp instruments, rubbing alcohol, flammable fluids, or abrasive cleaners to remove tape or glue. These products can damage the surface of your freezer. For more information, see "Freezer Safety."
- Dispose of/recycle all packaging materials.

### **When Moving Your Freezer:**

Your freezer is heavy. When moving the freezer for cleaning or service, be sure to cover the floor with cardboard or hardboard to avoid floor damage. Always pull the freezer straight out when moving it. Do not wiggle or "walk" the refrigerator when trying to move it, as floor damage could occur.

### **Clean Before Using**

After you remove all of the packaging materials, clean the inside of your freezer before using it. See the cleaning instructions in the "Maintenance and Care" section of your Owner's Manual.

## Electrical Requirements

### **⚠WARNING**



#### **Electrical Shock Hazard**

Plug into a grounded 3 prong outlet.

Do not remove ground prong.

Do not use an adapter.

Do not use an extension cord.

Failure to follow these instructions can result in death, fire, or electrical shock.

If the supply cord is damaged, it must be replaced by the manufacturer or its service agent or a similarly qualified person. Do not use a cord that shows cracks or abrasion damage along its length or at either the plug or connector end.

### **Recommended Grounding Method**

A 115 V, 60 Hz, AC-only 15 A or 20 A fused, grounded electrical supply is required. It is recommended that a separate circuit serving only your freezer and approved accessories be provided. Use an outlet that cannot be turned off by a switch. Do not use an extension cord.

**NOTE:** Before performing any type of installation, cleaning, or removing a light bulb, turn the freezer to OFF. Depending on your model, turn the freezer control to the word OFF, or press the freezer down arrow touch pad until a dash (–) appears in freezer displays as shown. Disconnect the freezer from the electrical source. When you are finished, reconnect the freezer to the electrical source and reset the temperature controls to the desired setting. See "Quick Start Guide."

Before you move your freezer into its final location, it is important to make sure you have the proper electrical connection.

## Location Requirements

### **⚠ WARNING**



#### **Explosion Hazard**

**Keep flammable materials and vapors, such as gasoline, away from appliance.**

**Use nonflammable cleaner.**

**Failure to do so can result in death, explosion, or fire.**

**IMPORTANT:** This freezer is designed for indoor, household use only.

This appliance is intended to be used in a household and similar applications such as:

- Staff kitchen areas in shops, offices and other working environments.
- Farm houses and by clients in hotels, motels and other residential type environments.
- Bed and breakfast type environments.
- Catering and similar non-retail applications.

#### **Ventilation and Clearance**

- Keep flammable materials and vapors, such as gasoline, away from freezer.
- Do not cover the freezer with items such as blankets, sheets and tablecloths. This reduces air circulation.

#### **Temperature**

Your freezer operates most efficiently when located in an area where the temperature is normally between 32°F(0° C) and 110°F(43°C). Place your freezer in a location where the temperature will fall between the low and high recommended temperatures.

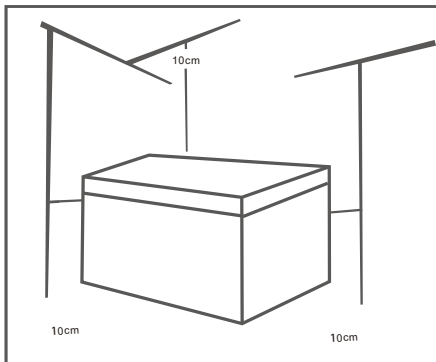
#### **Upon Moving to Final Location**

Level the freezer from side to side and front to back so that the lid will seal properly. Use shims to level the freezer if necessary.

**NOTE:** It should not be necessary to remove the lid during installation. If, for any reason, the hinges need adjustment contact a designated service company.

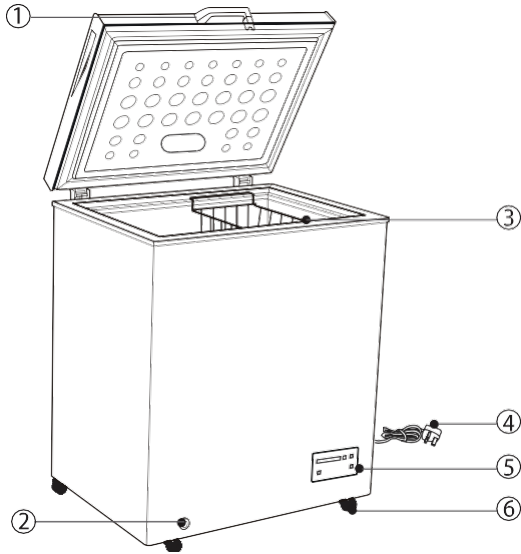
To ensure proper ventilation for your freezer, allow for 4" (10cm) of space on each side and at the top. Allow for 4" (10cm) of space behind the freezer.

**NOTE:** This freezer is intended for use in a location where the temperature ranges from a minimum of 61°F (16°C) to a maximum of 110°F (43°C). The preferred room temperature range for optimum performance, which reduces electricity usage and provides superior cooling, is between 61°F (16°C) and 100°F (38°C). It is recommended that you do not install the freezer near a heat source, such as an oven or radiator.



# Overview

---



1. Handle
2. Drain Hole
3. Basket
4. Power Cord
5. Thermostat control panel
6. Wheel

Note: above picture is for reference only.

# Installation

---

## Location

The appliance should be installed well away from sources of heat such as radiators, boilers, direct sunlight etc. Ensure that air can circulate freely around the back of the cabinet. To ensure best performance, if the appliance is positioned below an overhanging wall unit, the minimum distance between the top of the cabinet and the wall unit must be at least 100 mm. Ideally, however, the appliance should not be positioned below overhanging wall units. Accurate leveling is ensured by one or more adjustable feet at the base of the cabinet.



**Warning!** It must be possible to disconnect the appliance from the mains power supply; the plug must therefore be easily accessible after installation.

## Electrical connection

Before plugging in, ensure that the voltage and frequency shown on the rating plate correspond to your domestic power supply. The appliance must be earthed. The power supply cable plug is provided with a contact for this purpose. If the domestic power supply socket is not earthed, connect the appliance to a separate earth in compliance with current regulations, consulting a qualified electrician.

The manufacturer declines all responsibility if the above safety precautions are not observed.

This appliance complies with the E.E.C. Directives.

# Daily Use

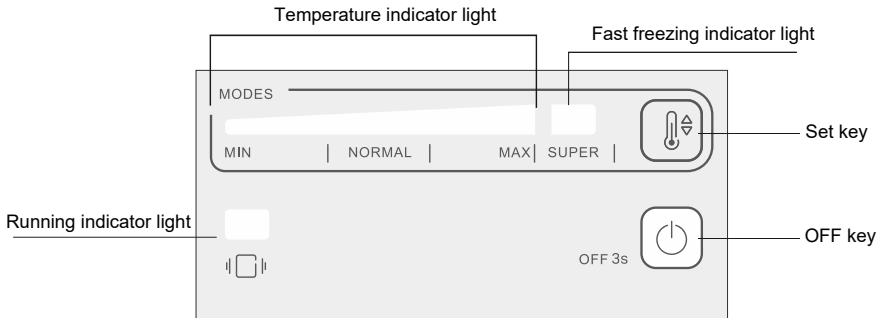
---

## First use

### Cleaning the interior

Before using the appliance for the first time, wash the interior and all internal accessories with lukewarm water and some neutral soap so as to remove the typical smell of a brand new product, then dry thoroughly. **Important!** Do not use detergents or abrasive powders, as these will damage the finish.

## Temperature Setting



### 1.0 Electrical connection

When the appliance is plugged in, all LED indicator lights will flash once. Then the appliance will resume the mode previously set before the electrical outage.

### 2.0 Temperature Setting

- **Setting:** Press "SET" button, enter the temperature setting mode. The temperature indicator bar of temperature goes up a scale by each press. This setting runs in cycles. Temperature can run from Scale MIN to Scale MAX. Scale MAX is the coldest. The temperature is automatically set in 5 seconds after last press.
- **Super Freezing**
  - ✓ Press "SET" button consecutively to enter "SUPER" freezing mode from Scale MAX, the indicator bar on the left hereby will turn dark whereas the indicator light of "SUPER" turns on. This mode is automatically set in 5 seconds after last press.
  - ✓ The compressor keeps working in "SUPER" freezing mode.
  - ✓ If the "SUPER" mode keeps running for 52 hours and not stopped manually, the system will automatically cut out this mode, with the temperature back at Scale 5.

### 2.1 Power On & Power Off

If the appliance is working, press "ON/OFF" for 3 seconds to turn off.  
If the appliance is off, press "ON/OFF" for 3 seconds to turn on.



# Daily Use

---

## 3.0 Indicator Lights

- Temperature Indicator Light (Bright Blue): To adjust the temperature from Scale MIN to Scale MAX. MAX is the coldest.
- Super Freezing Indicator Light (Bright Blue): Light on = in "SUPER" mode; light off = exit "SUPER" mode
- Running Indicator Light (Bright Green): Light on = compressor in work; light off = compressor stops.
- 30 minutes after the last operation, the indicator light will be on in half luminance.

## 4.0 Resumption Function

The appliance will automatically resume the mode previously set before the electrical outage.

## 5.0 Temperature Sensor Fault Alarm

When there is a disconnection or short out of the temperature sensor, as a fault alarm, the temperature indicator bar will flash from left to right every 0.5 second.

## Daily Use

### Freezing fresh food

- The freezer compartment is suitable for freezing fresh food and storing frozen and deep-frozen food for a long time.
- Place the fresh food to be frozen in the bottom compartment.
- The freezing process lasts 24 hours: during this period do not add other food to be frozen.

### Storing frozen food

When first starting up or after a period out of use. Before putting the product in the compartment let the appliance run at least 2 hours on the higher settings.

**Important!** In the event of accidental defrosting, for example the power has been off for longer than the value shown in the technical characteristics chart under "fising time", the defrosted food must be consumed quickly or cooked immediately and then re-frozen (after cooked).

### Thawing

Deep-frozen or frozen food, prior to be used, can be thawed in a fridge compartment or at room temperature, depending on the time available for this operation.

Small pieces may even be cooked still frozen, directly from the freezer. In this case, cooking will take longer.

## Helpful hints and tips

### Hints for freezing

- To help you make the most of the freezing process, here are some important hints:
- the maximum quantity of food which can be frozen in 24 hrs. is shown on the rating plate;
- the freezing process takes 24 hours. No further food to be frozen should be added during this period; only freeze top quality, fresh and thoroughly cleaned, foodstuffs;
- prepare food in small portions to enable it to be rapidly and completely frozen and to make it possible subsequently to thaw only the quantity required;
- wrap up the food in aluminium foil or polythene and make sure that the packages are airtight;
- do not allow fresh, unfrozen food to touch food which is already frozen, thus avoiding a rise in temperature of the latter;

## Daily Use

---

- lean foods store better and longer than fatty ones; salt reduces the storage life of food;
- water ices, if consumed immediately after removal from the freezer compartment, can possibly cause the skin to be freeze burnt;
- it is advisable to show the freezing in date on each individual pack to enable you to keep tab of the storage time.

### Hints for storage of frozen food

- To obtain the best performance from this appliance, you should:
- make sure that the commercially frozen foodstuffs were adequately stored by the retailer;
- be sure that frozen foodstuffs are transferred from the food store to the freezer in the shortest possible time;
- not open the door frequently or leave it open longer than absolutely necessary.
- Once defrosted, food deteriorates rapidly and cannot be refrozen.
- Do not exceed the storage period indicated by the food manufacture.

### Cleaning

For hygienic reasons the appliance interior, including interior accessories, should be cleaned regularly.



**Caution!** The appliance may not be connected to the mains during cleaning. Danger of electrical shock! Before cleaning switch the appliance off and remove the plug from the mains, or switch off or turn out the circuit breaker or fuse. Never clean the appliance with a steam cleaner. Moisture could accumulate in electrical components, danger of electrical shock! Hot vapors can lead to the damage of plastic parts. The appliance must be dry before it is placed back into service.

**Important!** Ethereal oils and organic solvents can attack plastic parts, e.g. lemon juice or the juice from orange peel, butyric acid, cleanser that contain acetic acid.

- Do not allow such substances to come into contact the appliance parts.
- Do not use any abrasive cleaners
- Remove the food from the freezer. Store them in a cool place, well covered.
- Switch the appliance off and remove the plug from the mains, or switch off or turn out the circuit breaker of fuse.
- Clean the appliance and the interior accessories with a cloth and lukewarm water. After cleaning wipe with fresh water and rub dry.
- Accumulation of dust at the condenser increases energy consumption. For this reason carefully clean the condenser at the back of the appliance once a year with a soft brush or a vacuum cleaner.<sup>1</sup>
- After everything is dry place appliance back into service.

## Defrosting of the freezer

The freezer, however, will become progressively covered with frost. This should be removed.

Never use sharp metal tools to scrape off frost from the evaporator as you could damage it.

However, when the ice becomes very thick on the inner liner, complete defrosting should be carried out as follows:

- Unplug the unit. Remove the drain plug from the inside of the freezer. Defrosting usually takes a few hours. To defrost faster keep the freezer door open.

- For draining, place a tray beneath the outer drain plug. Pull out the drain dial.



- Rotate the drain dial 180 degree. This will let the water flow out in the tray. When done, push the drain dial in. Replug the drain plug inside the freezer compartment. Note: monitor the container under the drain to avoid overflow.

- Wipe the interior of the freezer and replace the electrical plug in the electrical outlet.

- Reset the temperature control to the desired setting.

1.If the condenser is at back of appliance.



## Daily Use

⚠ **Caution!** Before troubleshooting, disconnect the power supply. Only a qualified electrician or a competent person should perform troubleshooting that is not covered in this manual.

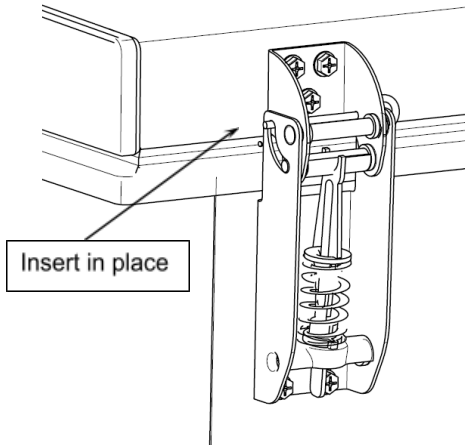
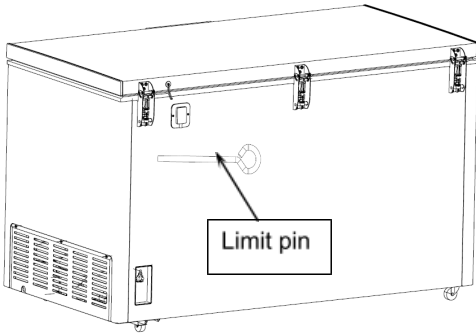
⚠ **Important!** There are some sounds during normal use (compressor, refrigerant circulation).

Problem	Possible cause	Solution
Appliance dose not work	Mains plug is not plugged in or is loose	Insert mains plug.
	Fuse has blown or is defective	Check fuse , replace if necessary.
	Socket is defective	Mains malfunctions are to be corrected by an electrician.
Appliance freezes too much	Temperature is set too cold or the appliance runs at "7" setting.	Turn the temperature regulator to a warmer setting temporarily.
The food is not frozen enough	Temperature is not properly adjusted.	Please look in the initial Temperature Setting section.
	Door was open for an extended period .	Open the door only as long as necessary .
	A large quantity of warm food was placed in the appliance within the last 24 hours.	Turn the temperature regulation to a colder setting temporarily.
	The appliance is near a heat source .	Please look in the installation location section.
Heavy build -up of frost on the door seal.	Door seal is not air-tight.	Carefully warm the leaking sections of the door seal with a hair dryer (on a cool setting ). At the same time shape the warmed door seal by hand such that it sits correctly.
Unusual noises	Appliance is not level.	Check the appliance and level it by some articles.
	The appliance is touching the wall or other objects .	Move the appliance slightly.
	A component, e.g. a pipe, in the side of the appliance is touching another part of the appliance or the wall.	If necessary , carefully bend the component out of the way .
The door cannot be opened immediately after closing	This is a natural phenomenon caused by the pressure difference due to thermal contraction during cooling.	Please leave it standing for a while. When the internal and external pressures of the chest freezer equalize in a short time, the door can be opened normally.

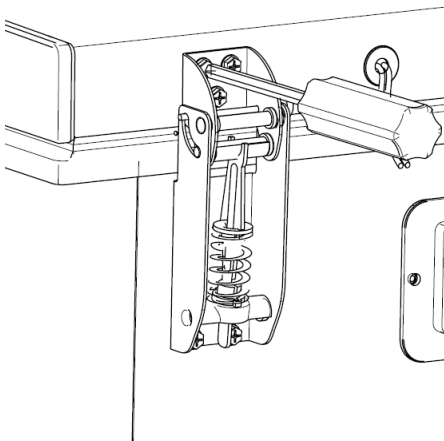
If the malfunction shows again, contact the Service Center.

These data are necessary to help you quickly and correctly. Write the necessary data here, refer to the rating plate.

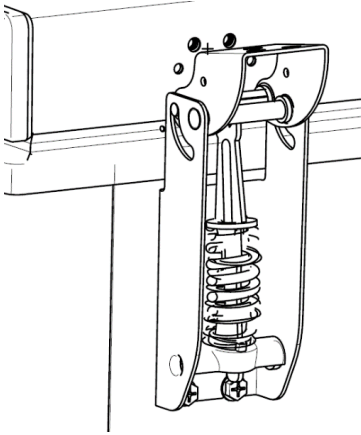
## Hinge disassembly instructions



Step 1: Insert the limit pin into the hinge limit hole.



Step 2: Use tools to remove the screws one by one.



**Note: If the limit pin is not inserted as required and the screw is removed directly, the hinge will pop open instantly, resulting in the risk of screws flying out.**

# SÉCURITÉ DU CONGÉLATEUR

## Votre sécurité et celle des autres sont très importantes.

Nous donnons de nombreux messages de sécurité importants dans ce manuel et sur votre appareil. S'assurer de toujours lire tous les messages de sécurité et de s'y conformer.



Voici le symbole d'alerte de sécurité.

Ce symbole d'alerte de sécurité vous signale les dangers potentiels de décès et de blessures graves.

Tous les messages de sécurité suivront le symbole d'alerte de sécurité et le mot « DANGER » ou « AVERTISSEMENT ». Ces mots signifient :

**▲ DANGER**

Risque possible de décès ou de blessure grave si vous ne **suivez pas immédiatement les instructions.**

**▲ AVERTISSEMENT**

Risque possible de décès ou de blessure grave si vous ne **suivez pas les instructions.**

Tous les messages de sécurité vous diront quel est le danger potentiel, comment réduire le risque de blessure et ce qui peut se produire en cas de non-respect des instructions.

## IMPORTANTES INSTRUCTIONS DE SÉCURITÉ

**AVERTISSEMENT** : Afin de réduire le risque d'incendie, de décharge électrique ou de blessures lors de l'utilisation de l'appareil, il convient d'observer certaines précautions fondamentales, notamment :

- Les enfants doivent être surveillés afin de s'assurer qu'ils ne jouent pas avec l'appareil.
- Cet appareil ne convient pas à une utilisation par des personnes (y compris des enfants) à capacités physiques, sensorielles ou mentales réduites, ou possédant un manque d'expérience et de connaissances, à moins qu'elles ne soient placées sous supervision ou qu'elles aient reçu des instructions concernant l'utilisation de l'appareil par une personne responsable de leur sécurité.
- Ne pas utiliser de câble de rallonge.
- Si le cordon d'alimentation est endommagé, il doit être remplacé par le fabricant, son agent de réparation ou toute autre personne qualifiée afin d'éviter tout danger.
- Cet appareil est destiné à un usage domestique et à d'autres usages semblables, comme : coins cuisine réservés au personnel des boutiques, des bureaux et d'autres environnements professionnels; maisons d'hôtes, ainsi que par les clients d'hôtel, de motels et d'autres installations d'hébergement; gîtes touristiques; et banquets et autres utilisations non commerciales semblables.
- Ne pas entreposer de substances explosives, comme des aérosols avec agent propulseur inflammable dans cet appareil.
- Ne pas utiliser de pièces de remplacement qui n'ont pas été recommandées par le fabricant (c.-à-d., pièces fabriquées à la maison à l'aide d'une imprimante 3D).
- Garder les événements à l'intérieur de l'enceinte de l'appareil ou de la structure encastrée exempte d'obstacles.
- Ne pas utiliser des appareils mécaniques ou autres moyens pour accélérer le processus de dégivrage, autre que ceux recommandés par le fabricant.
- Ne pas endommager le circuit réfrigérant.
- Ne pas utiliser des appareils électriques à l'intérieur des compartiments d'aliments de l'appareil, à moins qu'ils soient de type recommandé par le fabricant.

**CONSERVER CES INSTRUCTIONS**

## Mise au rebut du vieux congélateur

**AVERTISSEMENT : Un enfant peut rester piégé. Avant de jeter votre vieux réfrigérateur ou congélateur :**

- Enlever les portes.
- Laisser les tablettes en place de sorte que les enfants ne puissent pas y pénétrer facilement.

### ⚠ AVERTISSEMENT

#### Risque de suffoquer

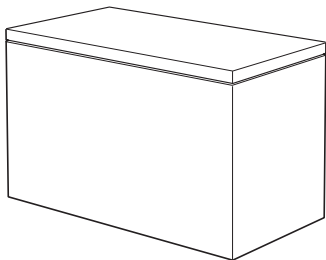
Enlever les portes ou le couvercle de votre vieil appareil.

Le non-respect de cette instruction peut causer un décès ou des lésions cérébrales.

**IMPORTANT :** Le risque qu'un enfant puisse se retrouver coincé et suffoquer n'est pas chose du passé. Les congélateurs jetés ou abandonnés restent dangereux, même s'ils ne restent à l'extérieur que pour « quelques jours seulement ». Si l'ancien congélateur doit être mis au rebut, suivre les instructions suivantes afin d'éviter les accidents.

**Informations importantes à connaître pour l'élimination du liquide réfrigérant :**

Jeter le congélateur conformément aux règlements fédéraux et locaux. Les liquides réfrigérants doivent être évacués par un technicien en réfrigération accrédité EPA, conformément aux procédures établies.



## ENTRETIEN ET NETTOYAGE

### Nettoyage

### ⚠ AVERTISSEMENT



#### Risque d'explosion

Risque d'incendie ou d'explosion.

Le liquide réfrigérant utilisé est inflammable.

Ne pas utiliser d'appareils mécaniques pour dégivrer le congélateur.

Ne pas perforer la tubulure de réfrigération.

Les sections de réfrigération et de congélation se dégivrent automatiquement. Toutefois, nettoyer les deux compartiments environ une fois par mois afin d'éviter toute accumulation d'humidité. Essuyer immédiatement les renversements.

**IMPORTANT :**

- Comme l'air circule entre les deux sections, toutes les odeurs formées dans une section seront transférées à l'autre. Les deux sections doivent être nettoyées avec soin pour éliminer les odeurs. Pour éviter le transfert d'odeurs et l'assèchement des aliments, envelopper ou recouvrir hermétiquement les aliments.

**Pour nettoyer le congélateur :**

**REMARQUE :** Ne pas utiliser de nettoyeurs puissants ou abrasifs comme les nettoyeurs à vitre en atomiseurs, nettoyeurs à récuser, liquides inflammables, acide chlorhydrique, cires nettoyantes, détergents concentrés, agents de blanchiment ou nettoyeurs contenant du pétrole sur les surfaces extérieures (portes et caisse de l'appareil), pièces en plastique, les finitions intérieures et finitions de portes ou sur les joints de portes. Ne pas utiliser d'essuie-tout, de tampons à récuser ou d'autres outils de nettoyage abrasif.

1. Débrancher le congélateur ou déconnecter la source de courant électrique.
2. Laver à la main, rincer et sécher les pièces amovibles et les surfaces internes soigneusement. Utiliser une éponge propre ou un linge doux et un détergent doux dans de l'eau tiède.
3. Nettoyer les surfaces extérieures.

**Métal point :** Laver les parties métalliques extérieures à l'aide d'un chiffon doux ou d'une éponge douce et propre et d'un détergent doux dans de l'eau tiède. Rincer les surfaces avec une eau propre et tiède et sécher immédiatement afin d'éviter d'éventuelles taches laissées par l'eau.

### ⚠ AVERTISSEMENT



#### Risque d'explosion

Risque d'incendie ou d'explosion causé par la perforation de la tubulure de réfrigération;

Suivre avec attention des instructions de manipulation.

Le liquide réfrigérant utilisé est inflammable.

## Précautions à prendre avant les vacances ou le déménagement

### Vacances

**Si le congélateur est laissé en marche pendant une absence :**

Consommer toutes les denrées périssables et congeler les autres articles.

**Si l'utilisateur choisit d'arrêter le congélateur avant son absence :**

1. Enlever tous les aliments du réfrigérateur.
2. Éteindre la ou les commandes de température. Voir la section « Utilisation des commandes » du guide d'utilisation rapide.
3. Nettoyer le congélateur, l'essuyer et bien le sécher.
4. À l'aide d'un ruban adhésif, placer des blocs de caoutchouc ou de bois dans la partie supérieure de chaque porte de façon à ce qu'elles soient suffisamment ouvertes pour permettre à l'air d'entrer et d'éviter l'accumulation d'odeur ou de moisissure.

### Déménagement

Lors d'un déménagement du congélateur dans une nouvelle habitation, suivre ces étapes pour préparer le déménagement.

1. Retirer tous les aliments du congélateur et placer tous les aliments congelés dans de la neige carbonique.
2. Éteindre la ou les commandes de température. Voir la section « Utilisation des commandes » du guide d'utilisation rapide.
3. Débrancher le congélateur.
4. Bien nettoyer, essuyer et sécher.
5. Retirer toutes les pièces amovibles, bien les envelopper et les attacher ensemble avec du ruban adhésif pour qu'elles ne bougent et ne s'entrechoquent pas durant le déménagement.
6. Selon le modèle, soulever l'avant du congélateur pour qu'il roule plus facilement ou soulever les pieds de nivellement pour qu'ils n'égratignent pas le plancher. Voir les sections en ligne « Ajustement des portes » ou « Fermeture et alignement des portes ».
7. Fermer les portes à l'aide de ruban adhésif et fixer le cordon d'alimentation à la partie arrière du congélateur.



# INSTRUCTIONS D'INSTALLATION

## Déballage du congélateur

### **⚠ AVERTISSEMENT**

#### Risque de poids excessif

Il faut au moins deux personnes pour déplacer et installer ou désinstaller l'appareil.

Le non-respect de cette instruction peut causer une blessure au dos ou d'autres blessures.

### Retrait des matériaux d'emballage

■ Enlever tout résidu de ruban adhésif et de colle des surfaces avant de le mettre en marche votre congélateur. Frotter une petite quantité de savon liquide à vaisselle sur l'adhésif avec les doigts. Rincer à l'eau tiède et sécher.

- Ne pas utiliser d'instruments coupants, d'alcool à friction, de liquides inflammables ou de nettoyants abrasifs pour enlever le ruban adhésif ou la colle. Ces produits peuvent endommager la surface de votre congélateur. Pour plus de renseignements, voir la section « Sécurité du congélateur ».
- Éliminer/recycler tous les matériaux d'emballage.

### Lors du déplacement du congélateur :

Ce congélateur est lourd. Lors du déplacement de ce congélateur pour un nettoyage ou un entretien, veiller à recouvrir le plancher d'un carton ou panneau de fibre dur pour éviter de l'endommager. Toujours tirer le congélateur tout droit lors du déplacement. Ne pas incliner le réfrigérateur d'un côté ou de l'autre, ni le « faire marcher » en essayant de le déplacer, car le sol pourrait être endommagé.

### Nettoyage avant utilisation

Après avoir enlevé tous les matériaux d'emballage, nettoyer l'intérieur du congélateur avant de l'utiliser. Voir les instructions de nettoyage dans la section « Entretien et nettoyage » du manuel d'utilisation.

## Spécifications électriques

### **⚠ AVERTISSEMENT**



#### Risque de décharge électrique

Brancher l'appareil dans une prise à 3 alvéoles reliée à la terre.

Ne pas enlever la broche de liaison à la terre.

Ne pas utiliser d'adaptateur.

Ne pas utiliser de câble de rallonge.

Le non-respect de ces instructions peut causer un décès, un incendie ou une décharge électrique.

Avant de déplacer le congélateur à son emplacement final, il est important de vous assurer d'avoir le raccordement électrique approprié.

Si le cordon d'alimentation est endommagé, il doit être remplacé par le fabricant, son agent de service ou toute autre personne également qualifiée. Ne pas utiliser un cordon craquelé ou qui présente des dommages d'abrasion sur la gaine, la fiche ou le connecteur.

### Méthode recommandée de liaison à la terre

Un circuit de 115 V CA à 60 Hz relié à la terre et protégé par un fusible de 15 A ou 20 A est requis. On recommande que le congélateur et les accessoires approuvés soient alimentés par un circuit indépendant. Utiliser une prise de courant dont l'alimentation ne peut pas être interrompue par un interrupteur. Ne pas utiliser de câble de rallonge.

**REMARQUE :** Avant de procéder à tout type d'installation, de nettoyage ou de changement d'ampoule, mettre le congélateur sur OFF (ARRÊT). Selon le modèle, tourner la commande du congélateur vers OFF (ARRÊT) ou appuyer sur la flèche vers le bas du congélateur jusqu'à ce qu'un tiret (-) apparaisse sur l'affichage du congélateur, comme illustré. Déconnecter le congélateur de la source de courant électrique. Une fois l'opération terminée, reconnecter le congélateur à la source de courant électrique et remettre la commande de température au réglage désiré. Consulter le « Guide de démarrage rapide ».

## Exigences d'emplacement

### ⚠ AVERTISSEMENT



#### Risque d'explosion

Garder les matières et les vapeurs inflammables, telles que l'essence, à l'écart de l'appareil.

Utiliser un produit de nettoyage ininflammable.

Le non-respect de ces instructions peut causer un décès, une explosion ou un incendie.

**IMPORTANT** : Ce congélateur est conçu pour un usage domestique, à l'intérieur seulement.

Cet appareil est destiné à un usage domestique et à d'autres usages similaires comme :

- espace de cuisine pour personnel de boutiques, bureaux et autres environnements professionnels.
- résidences fermières et utilisation par les clients d'hôtels, de motels et d'autres types de résidences.
- environnements de type chambres d'hôtes.
- banquets et autres utilisations non commerciales semblables.

#### Ventilation et espace libre

- Garder les matières et vapeurs inflammables, telles que l'essence, loin du congélateur.
- Ne pas couvrir le congélateur d'un drap, d'une couverture et d'une nappe. Cela réduit la circulation d'air.

#### Température (Température)

Votre congélateur fonctionne à son efficacité maximale lorsqu'il se trouve dans un endroit où la température se situe entre 32 °F (0 °C) et 110 °F (43 °C). Installer le congélateur dans un endroit où la température reste dans la plage recommandée.

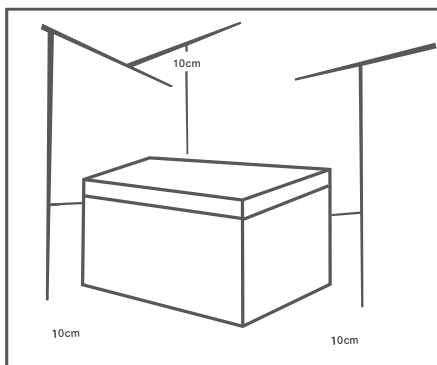
#### Lors du déplacement à l'emplacement final

Vérifier que le congélateur est d'aplomb dans le sens avant/arrière et latéralement pour que le couvercle ferme bien. Utilisez au besoin des cales pour mettre le congélateur d'aplomb.

**REMARQUE** : il ne devrait pas être nécessaire d'enlever le couvercle pendant l'installation. Si, pour aucune raison, les charnières ont besoin d'être ajustées, communiquer avec une entreprise d'entretien désignée.

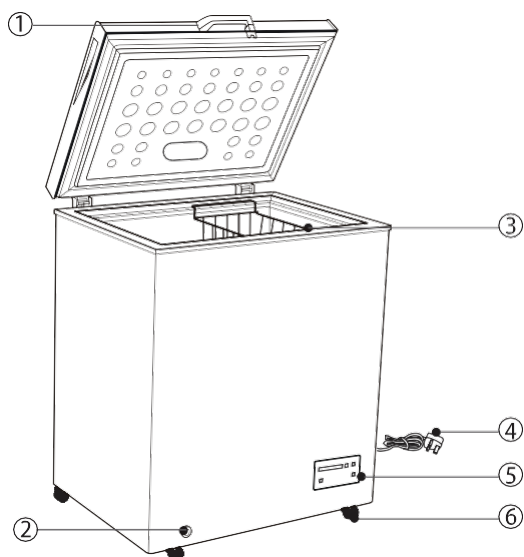
Pour obtenir une aération appropriée pour le congélateur, laisser un espace de 4 po (10 cm) de chaque côté et au sommet. Laisser un espace de 4 po (10 cm) derrière le congélateur.

**REMARQUE** : Ce congélateur est conçu pour être utilisé dans un endroit où la température est comprise entre un minimum de 61 °F (16 °C) et un maximum de 110 °F (43 °C). La plage de température ambiante idéale pour un rendement optimal est comprise entre 61 °F (16 °C) et 100 °F (38 °C). Respecter cette plage de température permet aussi de réduire la consommation d'électricité et d'optimiser l'efficacité du refroidissement. Il est recommandé de ne pas installer le congélateur près d'une source de chaleur, comme un four ou un radiateur.



## Aperçu

---



1. Poignée
2. Trou de vidange
3. Panier
4. Cordon d'alimentation
5. Panneau de commande du thermostat
6. Roue

Remarque : l'image ci-dessus est fournie à titre de référence seulement.

# Installation

---

## Emplacement

L'appareil doit être installé bien à l'écart des sources de chaleur, comme les radiateurs, les chaudières, la lumière directe du soleil, etc. S'assurer que l'air peut circuler librement à l'arrière de l'appareil. Pour assurer les meilleures performances, si l'appareil est positionné sous une unité murale en surplomb, la distance minimale entre le haut du filet de la cabine et l'unité murale doit être d'au moins 100 mm. Idéalement, cependant, l'appareil ne doit pas être positionné sous une unité murale en surplomb. Le nivellement précis est assuré par un ou plusieurs pieds réglables à la base de la caisse.



**Avertissement!** Il doit être possible de couper l'alimentation secteur de l'appareil; la prise doit donc être facilement accessible après l'installation.

## Connexion électronique

Avant de brancher l'appareil, s'assurer que la tension et la fréquence indiquées sur la plaque signalétique correspondent à l'alimentation électrique domestique. L'appareil doit être relié à la terre. La fiche du câble d'alimentation est munie d'un contact à cet effet. Si la prise d'alimentation murale n'est pas mise à la terre, connecter l'appareil à une mise à la terre séparée conformément à la réglementation en vigueur, en consultant un électricien qualifié.

Le fabricant décline toute responsabilité si les précautions de sécurité ci-dessus ne sont pas respectées. Cet appareil est conforme aux normes de la CEE .

# Utilisation quotidienne

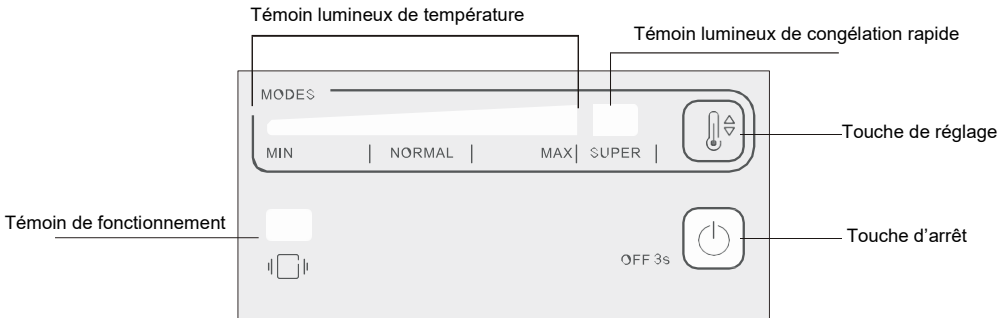
## Première utilisation

### Nettoyage de l'intérieur

Avant d'utiliser l'appareil pour la première fois, laver l'intérieur et tous les accessoires internes avec de l'eau tiède et du savon neutre afin d'éliminer l'odeur typique d'un produit neuf, puis sécher soigneusement.

**Important!** Ne pas utiliser de détergents ou de poudres abrasives, car ceux-ci endommageront la finition.

## Réglage de température



## 1.0 Raccordement électrique

Lorsque l'appareil est branché, tous les témoins à DEL clignotent une fois. L'appareil reprend ensuite le mode précédemment défini avant la panne électrique.

## 2.0 Réglage de température

- Réglage : appuyer sur le bouton « SET » (RÉGLAGE) pour accéder au mode de réglage de la température. La barre d'indication de la température augmente d'une valeur à chaque pression. Ce réglage s'exécute en cycles. La température peut aller de la valeur MIN à la valeur MAX. La valeur MAX est la plus froide. La température est automatiquement réglée 5 secondes après la dernière pression.
- Super Freeze (Super congélation)
  - ✓ Appuyer sur le bouton « SET » (RÉGLAGE) plusieurs fois pour accéder au mode de congélation « SUPER » à partir de la valeur MAX, la barre d'indication sur la gauche s'éteint alors que le témoin « SUPER » s'allume. Ce mode est automatiquement réglé en 5 secondes après la dernière pression.
  - ✓ Le compresseur continue de fonctionner en mode « SUPER » congélation.
  - ✓ Si le mode « SUPER » continue de fonctionner pendant 52 heures et n'est pas arrêté manuellement, le système coupe automatiquement ce mode et la température revenant à la valeur 5.

## 2.1 Mise sous tension et hors tension

Si l'appareil fonctionne, appuyer sur « ON/OFF » (MARCHE/ARRÊT) pendant 3 secondes pour l'éteindre. Si l'appareil est éteint, appuyer sur « ON/OFF » (MARCHE/ARRÊT) pendant 3 secondes pour le mettre en marche.

# Utilisation quotidienne

---

## 3.0 Témoins lumineux

- Témoin lumineux de température (bleu vif) : Pour modifier la température de la valeur MIN à la valeur MAX. MAX est le plus froid.
- Témoin lumineux per congélation (bleu vif) : Allumé = en mode « SUPER »; éteint = quitter le mode « SUPER »
- Témoin lumineux de fonctionnement (vert vif) : Témoin allumé = compresseur en fonctionnement; témoin éteint = compresseur arrêté.
- 30 minutes après la dernière opération, le témoin lumineux s'allume à moitié tamisé.

## 4.0 Fonction de reprise

L'appareil reprend automatiquement le mode précédemment défini avant la panne électrique.

## 5.0 Alarme de défaillance du capteur de température

Si le capteur de température est déconnecté ou en court-circuit, en tant qu'alarme de panne, la barre d'indication de température clignotera de gauche à droite chaque 0,5 seconde.

## Utilisation quotidienne

### Congeler des aliments frais

- Le compartiment de congélation est adapté à la congélation d'aliments frais et au rangement d'aliments surgelés pendant une longue période.
- Placer les aliments frais à congeler dans le compartiment inférieur.
- Le processus de congélation dure 24 heures : pendant cette période, ne pas ajouter d'autres aliments à congeler.

### Rangement d'aliments surgelés

Lors du premier démarrage ou après une période d'inutilisation. Avant de mettre un produit dans le compartiment, laisser l'appareil fonctionner au moins 2 heures sur les réglages supérieurs.

**Important!** En cas de décongélation accidentelle, par exemple, si l'alimentation électrique est coupée depuis plus longtemps que la valeur indiquée dans le tableau des caractéristiques techniques sous « Températures de décongélation », les aliments décongelés doivent être consommés rapidement ou cuits immédiatement, puis recongelés (après cuisson).

### Décongélation

Les aliments surgelés, avant d'être consommés, peuvent être décongelés dans un compartiment du réfrigérateur ou à température ambiante, selon le temps disponible pour cette opération.

Les petits morceaux peuvent même être cuits encore congelés, directement du congélateur. Dans ce cas, la cuisson prendra plus de temps.

### Conseils et astuces utiles pour la congélation

- Pour vous aider à tirer le meilleur parti du processus de congélation, voici quelques conseils importants :
- la quantité maximale d'aliments pouvant être congelés en 24 heures est indiquée sur la plaque signalétique;
- le processus de congélation prend 24 heures. Aucun autre aliment à congeler ne doit être ajouté pendant cette période; congeler seulement des denrées alimentaires de qualité supérieure, fraîches et soigneusement nettoyées;
- préparer les aliments en petites portions pour leur permettre d'être rapidement et complètement congelés et pour permettre ensuite de ne décongeler que la quantité requise;
- envelopper les aliments dans une feuille d'aluminium ou de polyéthylène et s'assurer que les emballages sont hermétiques;
- ne pas laisser des aliments frais, non congelés, toucher des aliments déjà congelés, ce qui augmenterait une élévation de la température de ces derniers;

## Utilisation quotidienne

---

- les aliments maigres se conservent mieux et plus longtemps que les aliments gras; le sel réduit la durée de conservation des aliments;
- les glaçons d'eau, s'ils sont consommés immédiatement après avoir été retirés du congélateur, peuvent éventuellement causer des brûlures de la peau par le gel;
- il est conseillé d'indiquer la date de congélation sur chaque emballage individuel pour vous permettre de garder une trace du temps de stockage.

### Conseils pour le stockage des aliments congelés

- Pour obtenir les meilleures performances de cet appareil, il faut :
- s'assurer que les denrées surgelées commercialement ont été entreposées adéquatement par le détaillant;
- s'assurer que les aliments congelés sont transférés de l'épicerie au congélateur dans les plus brefs délais;
- ne pas ouvrir souvent la porte ou ne pas la laisser ouverte plus longtemps que nécessaire.
- Une fois décongelés, les aliments se détériorent rapidement et ne peuvent pas être recongelés.
- Respecter la durée de conservation indiquée par le fabricant de l'aliment.

### Nettoyage

Pour des raisons d'hygiène, l'intérieur de l'appareil, y compris les accessoires intérieurs, doit être nettoyé régulièrement.



Attention! L'appareil ne devrait pas être raccordé au secteur pendant le nettoyage. Danger de décharge électrique! Avant le nettoyage, éteindre l'appareil et débrancher la fiche du secteur ou éteindre le disjoncteur ou le fusible. Ne jamais nettoyer l'appareil à l'aide d'un nettoyeur à vapeur. L'humidité pourrait s'accumuler dans les composants électriques et causer un danger de décharge électrique! Les vapeurs chaudes peuvent endommager les pièces en plastique. L'appareil doit être sec avant d'être remis en service.

Important! Les huiles éthérées et les solvants organiques peuvent attaquer les pièces en plastique, par exemple le jus de citron ou le jus d'écorce d'orange, l'acide butyrique ou un nettoyant contenant de l'acide acétique.

- Veiller à ce que ces substances n'entrent pas en contact avec les pièces de l'appareil.
- Ne pas utiliser de produits de nettoyage abrasifs
- Enlever les aliments du congélateur. Les ranger dans un endroit frais, bien couvert.
- Mettre l'appareil hors tension et débrancher la fiche du secteur, mettre hors tension ou éteindre le disjoncteur du fusible.
- Nettoyer l'appareil et les accessoires intérieurs à l'aide d'un chiffon et d'eau tiède. Après le nettoyage, rincer à l'eau douce et sécher en frottant.
- L'accumulation de poussière au niveau du condenseur augmente la consommation d'énergie. Pour cette raison, nettoyer soigneusement le condensateur à l'arrière de l'appareil une fois par an à l'aide d'une brosse douce ou d'un aspirateur.'
- Une fois que tout est sec, remettre l'appareil en service.

## Décongélation du congélateur

Le congélateur se couvrira cependant progressivement de givre. Il doit être supprimé. Ne jamais utiliser d'outils métalliques tranchants pour gratter le givre de l'évaporateur pour ne pas l'endommager.

Lorsque la glace devient très épaisse sur le revêtement intérieur, le dégivrage complet doit cependant être effectué ainsi :

- Débrancher l'appareil. Enlever le bouchon de vidange de l'intérieur du congélateur. Le dégivrage prend généralement quelques heures. Pour décongeler plus rapidement, garder la porte du congélateur ouverte.
- Pour la vidange, placer un plateau sous le bouchon de vidange externe. Retirer le cadran de vidange.



- Tourner le cadran de vidange de 180 degrés. Cela laissera l'eau s'écouler dans le récipient. Une fois terminé, appuyer sur le cadran de vidange. Rebrancher le bouchon de vidange à l'intérieur du compartiment de congélation. Remarque : surveiller le récipient sous la vidange pour éviter tout débordement.
- Essuyer l'intérieur du congélateur et rebrancher la fiche dans la prise électrique.
- Réinitialiser la commande de température au réglage désiré.



1. Si le condensateur est à l'arrière de l'appareil.



## Utilisation quotidienne

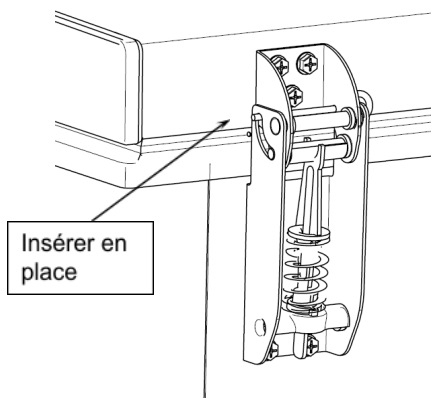
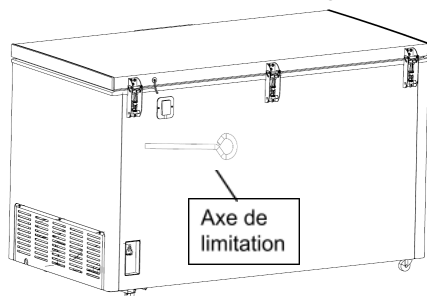
- ⚠ **Attention!** Avant le dépannage, débrancher l'alimentation électrique. Seul un électricien qualifié ou une personne compétente doit effectuer un dépannage qui n'est pas couvert dans ce manuel.
- ⚠ **Important!** Il y a quelques sons lors d'une utilisation normale (compresseur, circulation de réfrigérant).

Problème	Cause possible	Solution
La dose de l'appareil ne fonctionne pas	La prise secteur n'est pas branchée ou est lâche	Insérer la fiche secteur.
	Le fusible a grillé ou est défectueux	Vérifier le fusible, le remplacer si nécessaire.
	La prise est défectueuse	Les dysfonctionnements du secteur doivent être corrigés par un électricien.
L'appareil gèle trop	La température est placée à un réglage trop froid ou l'appareil fonctionne au réglage « 7 ».	Placer temporairement le régulateur de température à un réglage plus chaud.
La nourriture n'est pas suffisamment congelée	La température n'est pas bien réglée.	Consulter la section Réglage initial de la température.
	La porte est restée ouverte trop longtemps.	N'ouvrir la porte que le temps nécessaire.
	Une grande quantité d'aliments tièdes a été placée dans l'appareil au cours des dernières 24 heures.	Placer temporairement la régulation de température à un réglage plus froid.
	L'appareil se trouve près d'une source de chaleur.	Consulter la section sur l'emplacement d'installation.
Forte accumulation de givre sur le joint de la porte.	Le joint de la porte n'est pas étanche à l'air.	Chauffer soigneusement les sections du joint de porte qui fuient avec un séchoir à cheveux (sur un réglage frais). En même temps, façonner le joint de porte chauffé à la main de manière à ce qu'il s'appuie correctement.
Sons inhabituels	L'appareil n'est pas de niveau.	Vérifier l'appareil et le mettre de niveau.
	L'appareil touche le mur ou d'autres objets.	Déplacer légèrement l'appareil.
	Un composant, par exemple, un tuyau, situé sur le côté de l'appareil, touche une autre partie de l'appareil ou le mur.	Au besoin, plier soigneusement le composant à l'écart.
La porte ne peut être ouverte immédiatement après la fermeture	Il s'agit d'un phénomène naturel causé par la différence de pression due à la contraction thermique lors du refroidissement.	Ne pas toucher au congélateur pendant un certain temps. Une fois les pressions internes et externes du congélateur horizontal équilibrées (ce qui prend peu de temps), la porte peut être ouverte normalement.

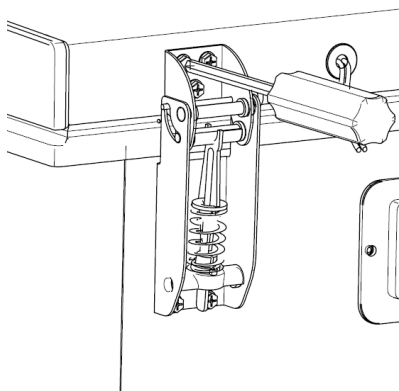
Si le dysfonctionnement réapparaît, contacter le centre de dépannage.

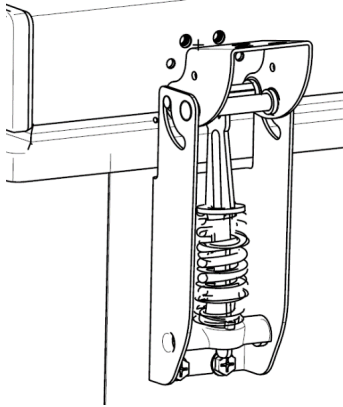
Ces données sont nécessaires pour vous aider rapidement et adéquatement. Écrire les données nécessaires ici, voir la plaque signalétique.

## Instructions de démontage de la charnière



Étape 1 : Insérer l'axe de limitation dans le trou de fin de course de la charnière





**Remarque : Si l'axe de limitation n'est pas inséré comme requis et que la vis est retirée directement, la charnière s'ouvrira instantanément, ce qui entraînera le risque que les vis soient expulsées.**

# SEGURIDAD DEL CONGELADOR

## Su seguridad y la de los demás son muy importantes.

Hemos incluido muchos mensajes importantes de seguridad en este manual y en su electrodoméstico. Lea y obedezca siempre todos los mensajes de seguridad.



Este es el símbolo de advertencia de seguridad.

Este símbolo le llama la atención sobre peligros potenciales que pueden ocasionar la muerte o una lesión a usted y a los demás.

Todos los mensajes de seguridad irán a continuación del símbolo de advertencia de seguridad y de la palabra "PELIGRO" o "ADVERTENCIA". Estas palabras significan:

**▲ PELIGRO**

**Usted puede morir o sufrir una lesión grave si no sigue de inmediato las instrucciones.**

**▲ ADVERTENCIA**

**Si no sigue las instrucciones, puede morir o sufrir una lesión grave.**

Todos los mensajes de seguridad le dirán cuál es el peligro potencial, cómo reducir las posibilidades de sufrir una lesión y lo que puede suceder si no se siguen las instrucciones.

## INSTRUCCIONES IMPORTANTES DE SEGURIDAD

**ADVERTENCIA:** Para reducir el riesgo de incendio, descarga eléctrica o lesiones al usar el electrodoméstico, siga las siguientes precauciones básicas:

- Los niños deben estar bajo supervisión para garantizar que no jueguen con el electrodoméstico.
- Este electrodoméstico no se diseñó para ser usado por personas (incluidos niños) con capacidad física, sensorial o mental reducida, o con falta de experiencia y conocimiento, a menos que una persona responsable de su seguridad les brinde supervisión o instrucciones relativas al uso del electrodoméstico.
- No use un cable eléctrico de extensión.
- Si el cable de suministro eléctrico está dañado, el fabricante, su servicio técnico o personas calificadas idóneas deben reemplazarlo para evitar cualquier riesgo.
- Este electrodoméstico está diseñado para su uso doméstico y aplicaciones similares, como: áreas de cocina para el personal en tiendas, oficinas y otros entornos de trabajo; granjas; por parte de clientes en hoteles, moteles y otros entornos residenciales; posadas, servicios de comida y aplicaciones similares que no sean de venta al por menor.
- No guarde en este electrodoméstico sustancias explosivas, como latas en aerosol con propelente inflamable.
- No use piezas de repuesto que no hayan sido recomendadas por el fabricante (por ejemplo, piezas hechas en casa con una impresora 3D).
- Mantener libres de obstrucción las aperturas de ventilación en el envoltorio del aparato o de la estructura para empotrar.
- No utilizar dispositivos mecánicos u otros medios para acelerar el proceso de deshielo, diferentes a los que recomienda el fabricante.
- No dañar el circuito de refrigeración.
- No utilizar aparatos eléctricos dentro de los compartimentos de almacenamiento de alimento del aparato, a menos que sean del tipo que recomienda el fabricante.

**GUARDE ESTAS INSTRUCCIONES**

**Cómo deshacerse de su congelador antiguo**  
**ADVERTENCIA:** Existe el riesgo de que los niños puedan quedar atrapados. Antes de tirar su antiguo refrigerador o congelador:

- Retire las puertas.
- Deje los estantes en su lugar para que los niños no puedan introducirse con facilidad.

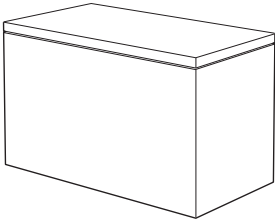
## ADVERTENCIA

Riesgo de asfixia

Quite las puertas o la tapa de su aparato anterior.  
Omitir esta instrucción puede ocasionar la muerte o daño al cerebro.

**IMPORTANTE:** Los niños que quedan atrapados y la asfixia no son problemas del pasado. Los congeladores tirados y abandonados son un peligro, aún si van a quedar ahí "por unos pocos días". Si está por deshacerse de su congelador antiguo, siga las instrucciones que aparecen a continuación para prevenir accidentes.

**Información importante sobre el desecho de refrigerantes:**  
Deshágase del congelador siguiendo los reglamentos federales y locales. Los refrigerantes deberán ser evacuados por un técnico certificado en refrigeración por EPA según los procedimientos establecidos.



## MANTENIMIENTO Y CUIDADO

### Limpieza

## ADVERTENCIA



Peligro de explosión

Riesgo de incendio o explosión.

Presencia de refrigerante inflamable.

No use dispositivos mecánicos para descongelar el congelador.

No perforo el tubo de refrigerante.

Tanto la sección del refrigerador como la del congelador se descongelan automáticamente. No obstante, limpie ambas secciones más o menos una vez al mes para evitar la acumulación de olores. Limpie los derrames inmediatamente.

### **IMPORTANTE:**

- Debido a que el aire circula entre ambas secciones, cualquier olor que se forme en una sección pasará a la otra. Debe limpiar cuidadosamente ambas secciones para eliminar olores. Para evitar la transferencia de olores y la deshidratación de los alimentos, envuélvalos o tápelos herméticamente.

### **Para limpiar su congelador:**

**NOTA:** No use productos de limpieza abrasivos o fuertes, como aerosoles para ventanas, productos de limpieza para pulir, líquidos inflamables, ácido muriático, ceras para limpieza, detergentes concentrados, blanqueadores o productos de limpieza que contengan productos derivados de petróleo en las superficies exteriores (puertas y gabinete), partes de plástico, revestimientos interiores o de la puerta, o las juntas. No use toallas de papel, estropajos para fregar ni otros utensilios de limpieza ásperos.

1. Desenchufe el congelador o desconecte el suministro de energía.
2. Lave a mano, aclare y seque bien las piezas desmontables y las superficies interiores. Use una esponja limpia o un paño liso y un detergente suave en agua tibia.
3. Limpie las superficies exteriores.

**Metal pintado:** Limpie el exterior de metal pintado con un paño o una esponja limpia y suave, y agua tibia con detergente suave. Enjuague las superficies con agua tibia limpia y séquelas inmediatamente para evitar manchas de agua.

## ADVERTENCIA



Peligro de explosión

Riesgo de incendio o explosión a causa de la perforación de la tubería del refrigerante.

Siga las instrucciones de manejo cuidadosamente.

Presencia de refrigerante inflamable.

## Cuidado durante las vacaciones y las mudanzas

### Vacaciones

Si decide dejar el congelador encendido mientras está fuera:

Consuma todos los artículos perecederos y congele el resto.

Si decide apagar el congelador antes de irse:

1. Saque todos los alimentos del refrigerador.
2. Apague el/los control(es) de temperatura. Consulte la sección "Uso de los controles" en la Guía de inicio rápido.
3. Limpie el congelador, pásele un paño y séquelo bien.
4. Fije con cinta adhesiva bloques de goma o de madera a la parte superior de ambas puertas de modo que queden abiertas lo suficiente como para que ingrese aire. Esto evita que se acumulen olores y moho.

### Mudanza

Si muda su congelador a una casa nueva, siga estos pasos para prepararse para la mudanza.

1. Saque toda la comida del congelador y empaque todos los alimentos congelados en hielo seco.
2. Apague el/los control(es) de temperatura. Consulte la sección "Uso de los controles" en la Guía de inicio rápido.
3. Desenchufe el congelador.
4. Limpie, pase un paño y seque meticulosamente.
5. Retire todas las piezas desmontables, envuélvalas bien y asegúrelas con cinta adhesiva para que no se sacudan durante la mudanza.
6. Según el modelo, levante la parte delantera del congelador para que ruede con facilidad, o bien, levante las patas niveladoras para no rayar el suelo. Consulte en línea "Ajustar las puertas" o "Cierre y alineación de las puertas".
7. Pegue las puertas cerradas y pegue el cable a la parte posterior del congelador con cinta adhesiva.

# INSTRUCCIONES DE INSTALACIÓN

## Cómo desembalar el congelador

### ADVERTENCIA

#### Riesgo de exceso de peso

Utilice a dos personas o más para mover, instalar o desinstalar el electrodoméstico.

No seguir esta instrucción puede ocasionar lesiones en la espalda o de otro tipo.

#### Retire el material de embalaje

- Quite la cinta y los residuos de pegamento de las superficies antes de encender el congelador. Frote con los dedos un poco de detergente líquido para vajilla sobre el pegamento. Enjuague con agua tibia y seque.
- No use instrumentos afilados, alcohol para fricciones, líquidos inflamables o limpiadores abrasivos para eliminar los restos de cinta o de adhesivo. Estos productos pueden dañar la superficie del congelador. Para más información, consulte "Seguridad del congelador".
- Deseche o recicle todo el material de embalaje.

#### Cuando mueva el congelador:

El congelador es pesado. Cuando mueva el congelador para darle limpieza o servicio, cerciórese de cubrir el piso con cartón o madera para evitar daños en él. Al mover el congelador, siempre tire en línea recta hacia afuera. No menee el refrigerador de lado a lado ni lo haga "caminar" cuando lo trate de mover ya que podría dañar el suelo.

#### Limpiar antes de usar

Después de quitar todos los materiales de embalaje, limpie la parte interior del congelador antes de usarlo. Consulte las instrucciones de limpieza en la sección "Mantenimiento y cuidado" de su Manual del Propietario.

## Requisitos eléctricos

### ADVERTENCIA



#### Peligro de choque eléctrico

Conecte a un tomacorriente con conexión a tierra de 3 terminales.

No quite el terminal de conexión a tierra.

No use un adaptador.

No utilice un cable de extensión.

No seguir estas instrucciones puede ocasionar la muerte, un incendio o un choque eléctrico.

Antes de colocar el congelador en su ubicación final, es importante asegurarse de contar con una conexión eléctrica adecuada.

Si el cable de alimentación está dañado, debe reemplazarlo el fabricante, su agente de servicio o una persona con calificación similar. No use un cable que presente grietas o daño por desgaste en el largo, el enchufe o la punta del conector.

#### Método de conexión a tierra recomendado

Se requiere un suministro eléctrico de 115 V, 60 Hz, solo CA, 15 A o 20 A con fusible y conexión a tierra. Se recomienda proporcionar un circuito de alimentación separado que preste servicio solo al congelador y a los accesorios aprobados. Use un tomacorriente que no se pueda apagar con un interruptor. No use un cable de extensión.

**NOTA:** Antes de realizar cualquier tipo de instalación o de limpieza, o de quitar un foco de luz, ponga el congelador en OFF (APAGADO). Dependiendo del modelo, gire el control del congelador hacia la palabra OFF (APAGADO) o presione la flecha hacia abajo del congelador hasta que aparezca un guion (-) en la pantalla del congelador, como se muestra. Desconecte el congelador del suministro eléctrico. Cuando haya terminado, vuelva a conectar el congelador al suministro de energía y a poner los controles de temperatura en el ajuste deseado. Consulte la "Guía de inicio rápido".

## Requisitos de ubicación

<b>⚠ ADVERTENCIA</b>

<b>Peligro de explosión</b>
<b>Mantenga los materiales y vapores inflamables, tales como la gasolina, alejados del electrodoméstico.</b>
<b>Use un limpiador no inflamable.</b>
<b>De lo contrario, esto puede ocasionar la muerte, explosiones o incendios.</b>

**IMPORTANTE:** Este congelador fue diseñado únicamente para uso doméstico en interiores.

Este electrodoméstico ha sido diseñado para usarse en un entorno doméstico y aplicaciones similares, tales como:

- Áreas de cocina para el personal en tiendas, oficinas y otros ambientes de trabajo.
- En granjas y por los clientes de hoteles, moteles y otros ambientes de tipo residencial.
- Ambientes de alojamiento.
- Aplicaciones en banquetería y otros negocios no minoristas.

### Ventilación y holgura

- Mantenga alejados del congelador materiales y vapores inflamables, como la gasolina.
- No cubra el congelador con artículos como mantas, sábanas y manteles. Esto reduce la circulación de aire.

### Temperatura

El congelador funciona de manera más eficiente cuando se coloca en una zona donde la temperatura está normalmente entre 32 °F (0 °C) y 110 °F (43 °C).

Coloque el congelador en un lugar donde la temperatura se sitúe entre las temperaturas baja y alta recomendadas.

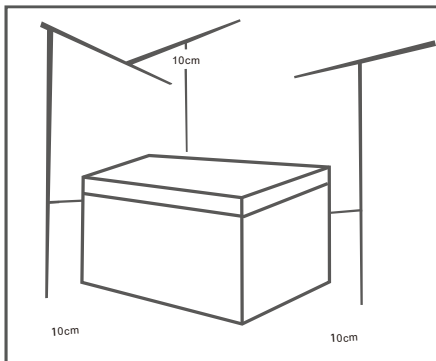
### Luego de colocar el refrigerador en su ubicación final

Nivele el congelador de lado a lado y de adelante hacia atrás para que la tapa quede correctamente sellada. Si es necesario, utilice cuñas para nivelar el congelador.

**NOTA:** No debería ser necesario quitar la tapa durante la instalación. Si las bisagras necesitan ajustarse por algún motivo, comuníquese con una compañía de servicio designada.

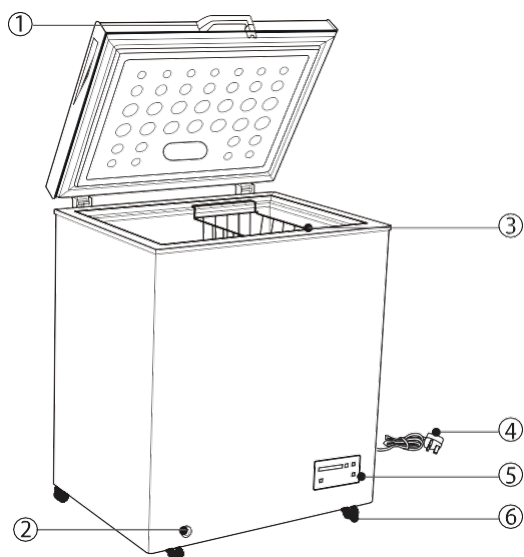
Para garantizar una ventilación adecuada de su congelador, deje un espacio de 4" (10 cm) a cada lado y en la parte superior. Deje un espacio de 4" (10 cm) detrás del congelador.

**NOTA:** Este congelador está diseñado para usarse en un lugar donde los rangos de temperatura van desde un mínimo de 61 °F (16 °C) hasta un máximo de 110 °F (43 °C). Para un óptimo rendimiento, el rango preferido de temperatura ambiente (que reduce el consumo de electricidad y provee un enfriamiento superior) es entre 61 °F (16 °C) y 100 °F (38 °C). No se recomienda instalar el congelador cerca de una fuente de calor, como un horno o un radiador.



## Descripción general

---



1. Manija
2. Orificio de desagüe
3. Canasta
4. Cable de alimentación
5. Panel de control del termostato
6. Rueda

Nota: la imagen anterior es solo para referencia.



# Instalación

---

## Lugar

El electrodoméstico debe instalarse lejos de fuentes de calor como radiadores, calderas, luz solar directa, etc. Asegúrese de que el aire pueda circular libremente por la parte posterior del gabinete. Para garantizar el mejor rendimiento, si el electrodoméstico está colocado debajo de una unidad de pared sobresaliente, la distancia mínima entre la parte superior del gabinete y la unidad de pared debe ser de al menos 100 mm. Sin embargo, lo ideal es que el electrodoméstico no se coloque debajo de las unidades de pared que sobresalen. La nivelación precisa está asegurada por uno o más patas ajustables en la base del gabinete.



**¡Advertencia!** Debe ser posible desconectar el electrodoméstico del suministro de red; por lo tanto, el enchufe debe ser fácilmente accesible después de la instalación.

## Conexión eléctrica

Antes de enchufar, asegúrese de que el voltaje y la frecuencia que se muestran en la placa de características corresponden a su suministro eléctrico doméstico. El electrodoméstico debe estar conectado a tierra. El enchufe del cable de alimentación se suministra con un contacto para este propósito. Si el tomacorriente doméstico no está conectado a tierra, conecte el electrodoméstico a una toma de tierra separada de acuerdo con las regulaciones actuales, consultando a un electricista calificado.

El fabricante declina toda responsabilidad si no se observan las precauciones de seguridad anteriores. Este electrodoméstico cumple con las directivas E.E.C.

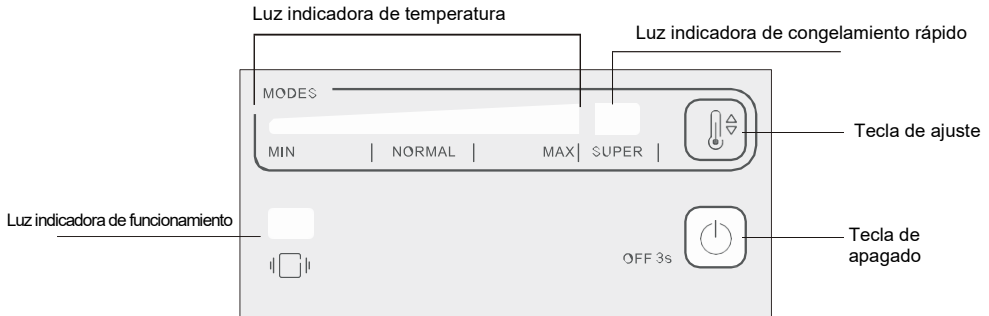
# Uso diario

## Primer uso

### Limpieza interior

Antes de usar el electrodoméstico por primera vez, lave el interior y todos los accesorios internos con agua tibia y un poco de jabón neutro para eliminar el olor típico de un producto nuevo, luego seque completamente. **¡Importante!** No use detergentes ni polvos abrasivos, ya que dañarán el acabado.

## Ajuste de la temperatura



## 1.0 Conexión eléctrica

Cuando el electrodoméstico está enchufado, todas las luces indicadoras LED parpadearán una vez. Luego, el electrodoméstico reanudará el modo establecido previamente antes del corte de electricidad.

## 2.0 Ajuste de la temperatura

- Ajuste: Presione el botón "SET" (AJUSTAR), ingrese al modo de ajuste de temperatura. La barra indicadora de temperatura sube una escala por cada pulsación. Esta configuración se ejecuta en ciclos. La temperatura puede ir desde la escala MIN hasta la escala MAX. La escala MAX es la más fría. La temperatura se ajusta automáticamente en 5 segundos después de la última pulsación.
- Super Freeze (Super congelación)
  - ✓ Presione el botón "SET" (AJUSTAR) consecutivamente para ingresar al modo de congelación "SUPER" desde la escala MAX, la barra indicadora de la izquierda se oscurecerá mientras que la luz indicadora de "SUPER" se enciende. Este modo se establece automáticamente en 5 segundos después de la última pulsación.
  - ✓ El compresor sigue funcionando en el modo de "SUPER" congelación.
  - ✓ Si el modo "SUPER" sigue funcionando durante 52 horas y no se detiene manualmente, el sistema cortará automáticamente este modo, con la temperatura de nuevo en la escala 5.

## 2.1 Encendido y apagado

Si el electrodoméstico está funcionando, presione "ON/OFF" (ENCENDIDO/APAGADO) durante 3 segundos para apagarlo. Si el electrodoméstico está apagado, presione "ON/OFF" (ENCENDIDO/APAGADO) durante 3 segundos para encenderlo.

# Uso diario

---

## 3.0 Luces indicadoras

- Luz indicadora de temperatura (azul brillante): Para ajustar la temperatura de escala MIN a escala MAX. MAX es la más fría.
- Luz indicadora de super congelación (azul brillante): Luz encendida = en modo "SUPER"; luz apagada = salir del modo "SUPER"
- Luz indicadora de funcionamiento (verde brillante): Luz encendida = compresor en funcionamiento; luz apagada = compresor detenido.
- 30 minutos después de la última operación, la luz indicadora estará encendida a la mitad de su luminancia.

## 4.0 Reanudar el funcionamiento

El electrodoméstico reanudará automáticamente el modo establecido antes del corte de electricidad.

## 5.0 Alarma de falla del sensor de temperatura

Cuando hay una desconexión o un cortocircuito en el sensor de temperatura, como una alarma de falla, la barra indicadora de temperatura parpadeará de izquierda a derecha cada 0,5 segundos.

## Uso diario

### Congelación de alimentos frescos

- El compartimiento del congelador es adecuado para congelar alimentos frescos y almacenar alimentos congelados y ultracongelados durante mucho tiempo.
- Coloque los alimentos frescos que se deben congelar en el compartimiento inferior.
- El proceso de congelación dura 24 horas: durante este periodo no agregue otros alimentos para congelar.

### Almacenamiento de alimentos congelados

Cuando se enciende por primera vez o después de un período de inactividad. Antes de colocar el producto en el compartimiento, deje que el electrodoméstico funcione al menos 2 horas con los ajustes más altos.

**¡Importante!** En caso de descongelación accidental, por ejemplo, si la energía ha estado apagada durante más tiempo que el valor que se muestra en la tabla de características técnicas en "Tiempo de congelación", los alimentos descongelados deben consumirse rápidamente o cocinarse inmediatamente y luego volver a congelarse (después de cocinarse).

### Descongelación

Los alimentos ultracongelados o congelados, antes de su uso, se pueden descongelar en un compartimiento del refrigerador o a temperatura ambiente, según el tiempo disponible para esta operación.

Incluso se pueden cocinar trozos pequeños aún congelados, directamente desde el congelador. En este caso, la cocción tardará más.

### Consejos y sugerencias útiles para congelar

- Para ayudarle a aprovechar al máximo el proceso de congelación, aquí hay algunos consejos importantes:
- la cantidad máxima de alimentos que se pueden congelar en 24 horas se muestra en la placa de características;
- el proceso de congelación toma 24 horas. No se deben agregar más alimentos para congelar durante este periodo; solo congele productos alimenticios de primera calidad, frescos y bien limpios;
- prepare alimentos en pequeñas porciones para que puedan congelarse rápida y completamente y para que después sea posible descongelar solo la cantidad requerida;
- envuelva los alimentos en papel de aluminio o polietileno y asegúrese de que los paquetes sean herméticos;
- no permita que los alimentos frescos no congelados toquen los alimentos que ya están congelados, evitando así un aumento de la temperatura de estos últimos;

## Uso diario

---

- los alimentos magros se almacenan mejor y durante más tiempo que los grasos; la sal reduce la vida útil de los alimentos;
- los hielos de agua, si se consumen inmediatamente después de sacarlos del compartimiento del congelador, pueden causar que la piel se quemé por congelación;
- es aconsejable mostrar la fecha de congelación en cada envase individual para que pueda llevar la cuenta del tiempo de almacenamiento.

### Consejos para el almacenamiento de alimentos congelados

- Para obtener el mejor rendimiento de este electrodoméstico, debe:
- asegurarse de que los productos alimenticios congelados comercialmente hayan sido almacenados adecuadamente por el minorista;
- asegúrese de que los alimentos congelados se transfieran del almacén de alimentos al congelador en el menor tiempo posible;
- no abra la puerta con frecuencia ni la deje abierta más tiempo del absolutamente necesario.
- Una vez descongelados, los alimentos se deterioran rápidamente y no se pueden volver a congelar.
- No exceda el periodo de almacenamiento indicado por el fabricante de alimentos.

### Limpieza

Por razones de higiene, el interior del electrodoméstico, incluidos los accesorios interiores, debe limpiarse con regularidad.



¡Precaución! El electrodoméstico no debe estar conectado a la red eléctrica durante la limpieza. ¡Peligro de descarga eléctrica! Antes de limpiar, apague el electrodoméstico y retire el enchufe del tomacorriente, o desconecte el disyuntor del fusible. Nunca limpie el electrodoméstico con un limpiador a vapor. La humedad podría acumularse en los componentes eléctricos, ¡peligro de descarga eléctrica! Los vapores calientes pueden dañar las piezas de plástico. El electrodoméstico debe estar seco antes de volver a ponerlo en servicio.

¡Importante! Los aceites etéreos y los solventes orgánicos pueden atacar las partes plásticas, por ejemplo, el jugo de limón o el jugo de cáscara de naranja, el ácido butírico, el limpiador que contiene ácido acético.

- No permita que dichas sustancias entren en contacto con las piezas del electrodoméstico.
- No use productos de limpieza abrasivos
- Retire los alimentos del congelador. Guárdalos en un lugar fresco, bien cubierto.
- Apague el electrodoméstico y retire el enchufe del tomacorriente, o desconecte el disyuntor del fusible.
- Limpie el electrodoméstico y los accesorios interiores con un paño y agua tibia. Después de limpiar, limpie con agua limpia y frote en seco.
- La acumulación de polvo en el condensador aumenta el consumo de energía. Por esta razón, limpie cuidadosamente el condensador en la parte posterior del electrodoméstico una vez al año con un cepillo suave o una aspiradora.<sup>1</sup>
- Después de que todo esté seco, vuelva a poner el electrodoméstico en servicio.

## Descongelación del congelador

El congelador se cubrirá progresivamente con escarcha. Esta debe eliminarse. Nunca use herramientas metálicas afiladas para raspar la escarcha del evaporador, ya que podría dañarlo.

Cuando el hielo se vuelve muy grueso en el revestimiento interior, se debe llevar a cabo una descongelación completa como sigue:

- Desenchufe la unidad. Retire el tapón de drenaje del interior del congelador. La descongelación generalmente toma unas horas. Para descongelar más rápido, mantenga la puerta del congelador abierta.
- Para drenar, coloque una bandeja debajo del tapón de drenaje exterior. Jale hacia afuera el dial de drenaje.



- Gire el dial de drenaje 180 grados. Esto dejará que el agua fluya hacia la bandeja. Cuando haya terminado, empuje el dial de drenaje hacia adentro. Vuelva a poner el tapón de drenaje dentro del compartimiento del congelador. Nota: Controle el recipiente debajo del drenaje para evitar que se desborde.
- Limpie el interior del congelador y vuelva a colocar el enchufe eléctrico en el tomacorriente.
- Restablezca el control de temperatura en el ajuste deseado.

1. Si el condensador está en la parte posterior del electrodoméstico.



## Uso diario

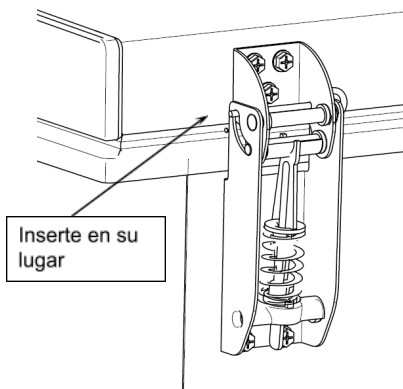
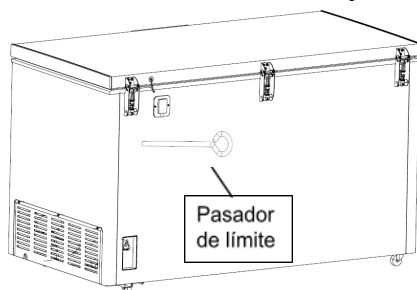
**⚠ ¡Precaución!** Antes de solucionar problemas, desconecte el suministro eléctrico. Solo un electricista calificado o una persona competente debe realizar la solución de problemas que no está cubierta en este manual.

**⚠ ¡Importante!** Hay algunos sonidos durante el uso normal (compresor, circulación de refrigerante).

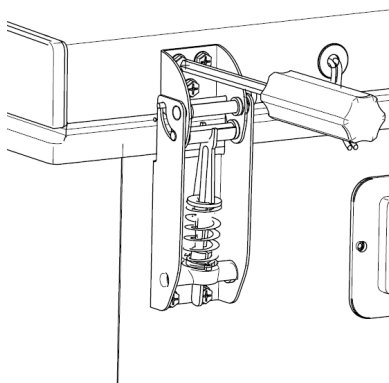
Problema	Causa posible	Solución
El electrodoméstico no funciona	El enchufe de red no está conectado o está flojo	Inserte el enchufe de red.
	Hay un fusible fundido o defectuoso	Revise el fusible , reemplácelo si es necesario.
	El tomacorriente está defectuoso	El mal funcionamiento de la red debe ser corregido por un electricista.
El electrodoméstico congela demasiado	La temperatura se ha fijado a una temperatura demasiado baja o el electrodoméstico funciona en el ajuste "7".	Gire el regulador de temperatura a un ajuste más caliente provisionalmente.
La comida no está lo suficientemente congelada	La temperatura no está bien ajustada.	Consulte sección Ajuste de temperatura inicial.
	La puerta estuvo abierta por un periodo prolongado .	Abra la puerta solo el tiempo que sea necesario.
	Colocó una gran cantidad de alimentos calientes en el electrodoméstico en las últimas 24 horas.	Gire el regulador de temperatura a un ajuste más frío provisionalmente.
	El electrodoméstico está cerca de una fuente de calor.	Consulte la sección Lugar de instalación.
Acumulación pesada de escarcha en el sello de la puerta.	El sello de la puerta no es hermético.	Caliente con cuidado las secciones con fugas del sello de la puerta con un secador de pelo (en un entorno fresco). Al mismo tiempo, dé forma al sello de la puerta calentado con la mano de manera que se asiente correctamente.
Ruidos poco comunes	El electrodoméstico no está nivelado.	Revise el electrodoméstico y nivele algunos alimentos.
	El electrodoméstico está tocando la pared u otros objetos.	Mueva el electrodoméstico ligeramente.
	Un componente, por ejemplo, una tubería, en el lado del electrodoméstico está tocando otra parte del electrodoméstico o la pared.	Si es necesario, doble cuidadosamente el componente fuera del recorrido.
La puerta no se puede abrir inmediatamente después de cerrarla	Este es un fenómeno natural causado por la diferencia de presión debido a la contracción térmica durante el enfriamiento.	Déjela en reposo durante unos momentos. Cuando las presiones internas y externas del congelador se igualan en poco tiempo, la puerta se puede abrir con normalidad.

Si el mal funcionamiento vuelve a aparecer, póngase en contacto con el Centro de servicio técnico. Estos datos son necesarios para ayudarlo de forma rápida y correcta. Escriba los datos necesarios aquí, consulte la placa de características.

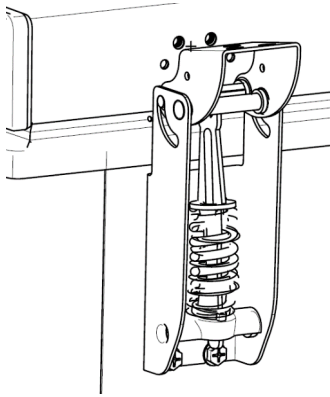
## Instrucciones de desmontaje de la bisagra



Paso 1: Inserte el pasador de límite en el orificio de límite de la bisagra



Paso 2: Use herramientas para retirar los tornillos uno por uno.



**Nota:** Si el pasador de límite no se inserta como se requiere y el tornillo se retira directamente, la bisagra se abrirá instantáneamente, lo que generará el riesgo de que los tornillos se expulsen.



### Online Ordering Information

For detailed installation instruction and maintenance information, winter storage, and transportation tips, please see the Owner's Manual included with your appliance. For information on any of the following items, a full cycle guide, warranty, detailed product dimensions, or for complete instructions for use and installation, please visit <https://www.whirlpool.com/owners>, or in Canada <https://www.whirlpool.ca/owners>. This may save you the cost of a service call. However, if you need to contact us, use the information listed below for the appropriate region.

United States:  
**1-800-253-1301**

Whirlpool Brand Home  
Appliances Customer  
eXperience Center 553  
Benson Road  
Benton Harbor, MI 49022-2692

Canada:  
**1-800-807-6777**

Whirlpool Brand Home  
Appliances Customer  
eXperience Centre 200-6750  
Century Ave. Mississauga.  
Ontario L5N 0B7

### Informations de commande en ligne

Pour obtenir des instructions d'installation et des informations d'entretien et d'hivernisation détaillées, ainsi que des conseils pour le transport, consulter le Manuel d'utilisation inclus avec votre appareil. Pour obtenir des informations sur l'un des points suivants : Guide des programmes complet, garantie et dimensions détaillées du produit ou pour obtenir des instructions complètes sur l'utilisation et l'installation, visiter le <https://www.whirlpool.com/owners>, ou au Canada, le <https://www.whirlpool.ca/owners>. Cette vérification peut aider à économiser le coût d'une intervention de dépannage. Cependant, si vous devez nous contacter, utiliser les coordonnées suivantes selon la bonne région.

États-Unis :  
**1 800 253-1301**

Whirlpool Brand Home  
Appliances Customer  
eXperience Center 553  
Benson Road  
Benton Harbor, MI 49022-2692

Canada :  
**1 800 807-6777**

Whirlpool Brand Home  
Appliances Customer  
eXperience Centre 200-6750  
Century Ave. Mississauga.  
Ontario L5N 0B7

### Información de pedidos en línea

Para obtener instrucciones de instalación e información sobre mantenimiento, almacenamiento durante el invierno y sugerencias sobre transporte, consulte el Manual del propietario que viene incluido con su electrodoméstico. Para obtener información sobre cualquiera de los siguientes elementos, un ciclo completo, garantía, dimensiones detalladas del producto o para obtener instrucciones completas de uso e instalación, visite <https://www.whirlpool.com/owners>, o en Canadá <https://www.whirlpool.ca/owners>. Esto puede ahorrarle costos de una llamada de servicio. Sin embargo, si necesita contactarnos, use la información a continuación para la región que corresponda.

Estados Unidos:  
**1-800-253-1301**

Whirlpool Brand Home  
Appliances Customer  
eXperience Center 553  
Benson Road  
Benton Harbor, MI 49022-2692

Canadá:  
**1-800-807-6777**

Whirlpool Brand Home  
Appliances Customer  
eXperience Centre 200-6750  
Century Ave. Mississauga.  
Ontario L5N 0B7