

Built-in Coffee Machine

Stainless Steel BCM8450UC



BCM8450UC
Stainless Steel

The Bosch Built-In Coffee Machine is sleek in design and provides a luxurious coffee experience from the comfort of your home.

Features & Benefits

Prepare Espresso, Cappuccino, Latte Macchiato & more in minutes

Consistent brewing temperature for a better tasting coffee.

Prepare your favorite cup of coffee with the simple touch of a button.

MyFavorites stores up to 8 of your favorite coffee preferences.

Design Tip

The Bosch Built-in Coffee Machine and 30" Trim Kit pair perfectly with a Bosch Warming Drawer

30" Warming Drawer – HWD5051UC

General Properties

Modes	Caffé Latte, Cappuccino, Coffee, Espresso, Espresso Macchiato, Latte Macchiato, Ristretto, Hot Water, Warm Milk, Steam Clean, Clean, Descaling
Settings	One or Two Cups, Adjustable Cup Sizes, Brewing Temperature, Coffee Strength, Grind Adjustment
Programming	Personalized Beverages, Language, Light and Display Brightness, Water Hardness, Temperature, Time, Key Sounds, Demo, Child-proof Lock
Sensor Alerts	Water Level, Bean Container, Drip Tray, Coffee Grounds

Design Elements

Display	Large Color Touch Screen
Selection Dial	Stainless Steel Ring
Beverage Dispenser	Adjustable
Double Cup Settings	Yes
Display Brightness	Adjustable
Light Brightness	Adjustable
Flush Installation	Yes
Container Access	Front Door

Capacity

Capacity of Water Container	5/8 gal.
Bean Container	1 lb.
Stainless Steel Milk Container	17 oz.
Powder Coffee	1 Scoop

Technical Details

Watts	1,600 W
Circuit Breaker	15 A
Current	10 A
Volts	120V
Frequency	60 Hz
Power cord length	39"
Plug type	120V - 3 prong
Energy source	Electric
Pump Pressure	275 psi (19 bar)
Grinding System	Ceramic Disks
Cleaning System	Automatic
Milk Clean System	Steam

Dimensions & Weight

Overall appliance dimensions (HxWxD) (not including transformer)	23 3/8" W x 17 7/8" H x 14" D
Net weight (appliance only, without transformer)	43 lbs.
Transformer weight	27.5 lbs.

Accessories - Included

Stainless Steel Milk Container, Powder Coffee Scoop

1 Water Hardness Test Strip

Accessories - Optional

30" SS Trim Kit	HEZCMT3050
Stainless Steel Milk Container	11005967
Bean Container	11015223
Descaling Tablets	00312445
Cleaning Tablets	00312295
Water Filter	12008246



Accessories: To purchase Bosch accessories, cleaners & parts please visit www.bosch-home.com/us/store or call 1-800-944-2904 (Mon to Fri 5 am to 6 pm PST, Sat 6 am to 3 pm PST).

Notes: All height, width and depth dimensions are shown in inches. BSH reserves the absolute and unrestricted right to change product materials and specifications, at any time, without notice. Consult the product's installation instructions for final dimensional data and other details prior to making cutout.

Warranties: Please see Use & Care manual or Bosch website for statement of limited warranty.

For more information on our entire line of products, go to www.bosch-home.com/us or call 1-800-944-2904

© BSH Home Appliances Corporation. All rights reserved. Bosch is a registered trademark of Robert Bosch GmbH.

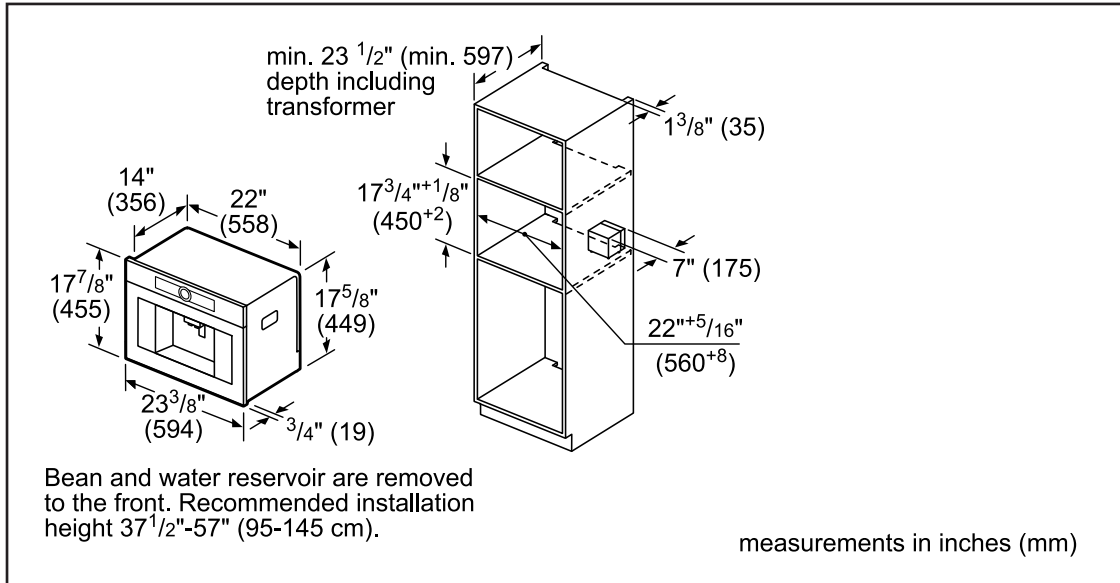
Built-in Coffee Machine

Stainless Steel BCM8450UC

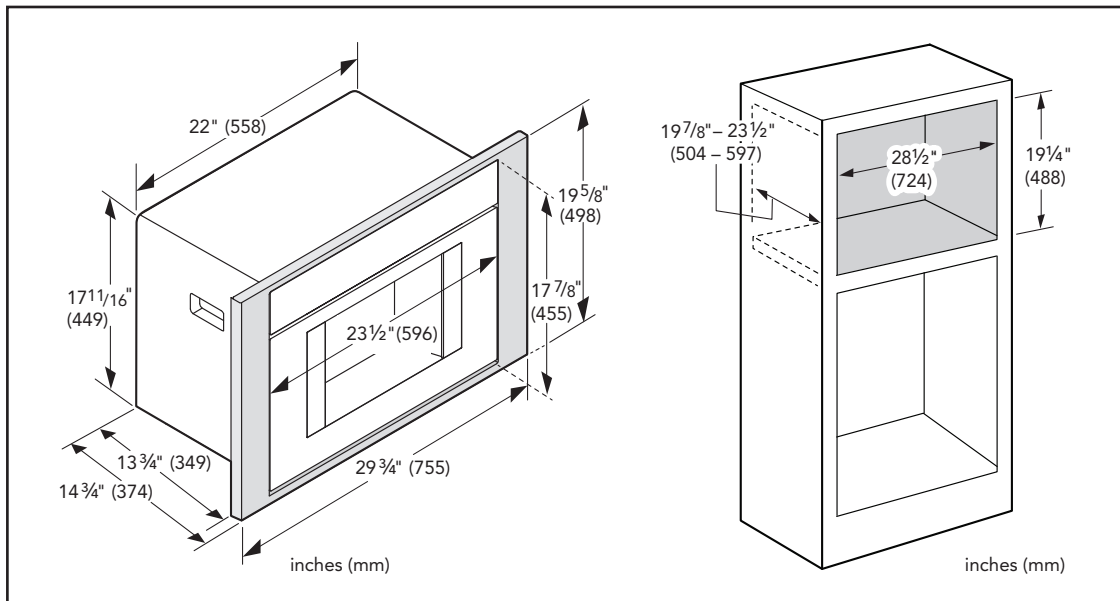


BOSCH
Invented for life

Installation Details



Cutout Dimensions with Optional Trim Kit HEZCMT3050



Accessories: To purchase Bosch accessories, cleaners & parts please visit www.bosch-home.com/us/store or call 1-800-944-2904 (Mon to Fri 5 am to 6 pm PST, Sat 6 am to 3 pm PST).

Notes: All height, width and depth dimensions are shown in inches. BSH reserves the absolute and unrestricted right to change product materials and specifications, at any time, without notice. Consult the product's installation instructions for final dimensional data and other details prior to making cutout.

Warranties: Please see Use & Care manual or Bosch website for statement of limited warranty.

For more information on our entire line of products, go to www.bosch-home.com/us or call 1-800-944-2904

© BSH Home Appliances Corporation. All rights reserved. Bosch is a registered trademark of Robert Bosch GmbH.

Built-in Coffee Machine

Stainless Steel BCM8450UC

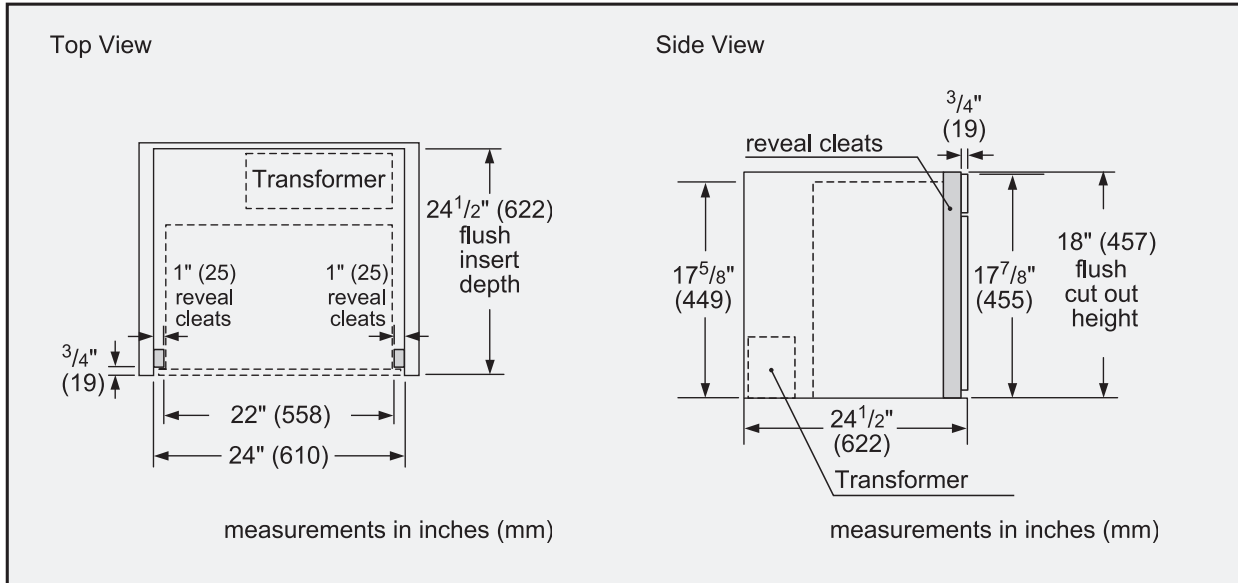


BOSCH

Invented for life



Flush Installation



Accessories: To purchase Bosch accessories, cleaners & parts please visit www.bosch-home.com/us/store or call 1-800-944-2904 (Mon to Fri 5 am to 6 pm PST, Sat 6 am to 3 pm PST).

Notes: All height, width and depth dimensions are shown in inches. BSH reserves the absolute and unrestricted right to change product materials and specifications, at any time, without notice. Consult the product's installation instructions for final dimensional data and other details prior to making cutout.

Warranties: Please see Use & Care manual or Bosch website for statement of limited warranty.

For more information on our entire line of products, go to www.bosch-home.com/us or call 1-800-944-2904

© BSH Home Appliances Corporation. All rights reserved. Bosch is a registered trademark of Robert Bosch GmbH.