

LG SIGNATURE

SDNTH981S / SDNTH981E

LG SIGNATURE Dishwasher with Quad Wash™

KEY FEATURES

- True Steam™
- QuadWash™
- LoDecibel Quiet Operation (39dB)
- Dynamic Heat Dry with AOD



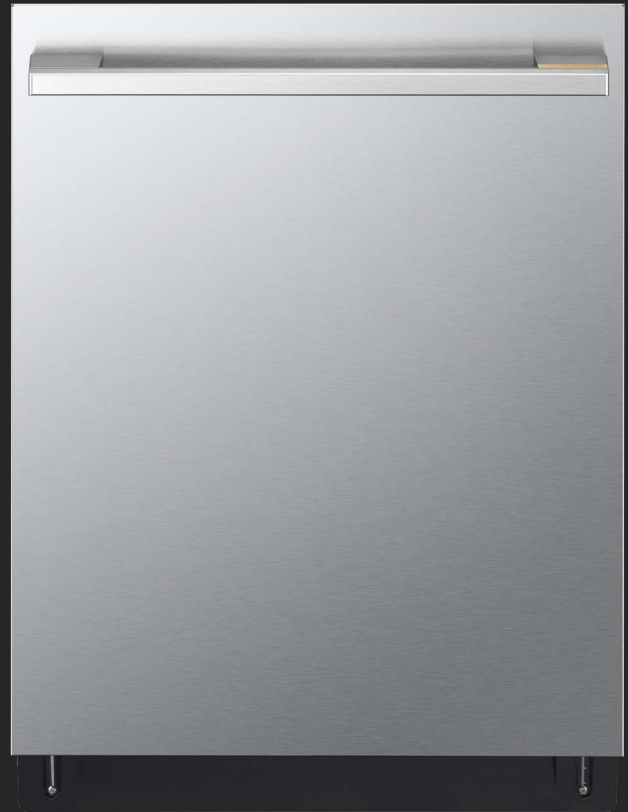
Control Panel



Blast Zone- Bottle Wash



ThinQ App



PRODUCT FEATURES

CAPACITY

Total Place Setting	16
Upper Rack Dish Height Limit	7.1" (180mm)
Lower Rack Dish Height Limit	12.5" (320mm)

RACK AND BASKET

Rack grade	Premium
Fold Down Tines	Upper: All Foldable Lower: Half Smart FD & Half Normal FD
Rack Handle/ Deco	Yes (Upper & Lower)
Rack Color (Body)	Dark Gray
Rack Color (Tine)	Dark Gray
Cup Rack/ Stemware Holder	Yes
Cup Rack Color	Cup Rack (Dark Gray), Rubber (Noble Gray)
StayPut Holder	Yes
Height Adjustability	Easy One Touch (3 Level)
Cutlery Baskets	Yes
3rd Rack	Premium
Gliding Type	Upper & 3rd Rack: Gliding Rail Lower: Gliding Wheel

PERFORMANCE

Steam	TrueSteam™
Lower Wash Arm	QuadWash™
Quad Arm Stainless Steel Deco	Yes
Quad Arm Body Color	Pearl Dark Gray
Nozzel Color	Noble Gray
BlastZone™ Bottle Wash	Yes
SenseClean Wash System	Yes
Vario Wash	Yes
No. of Spray Arms	4 (Top, Upper, Lower, Bottle)
No of Wash Cycles	5 (Auto, Heavy, Normal, 1-hr, Download Cycle)
No of Options	5 (Steam, High temp, Dry Boost, Delay Start, Automatic Control Lock, Remote, Wi-Fi)
Detergent and Rinse-Aid Dispenser	Yes
Drying System	Dynamic Heat Dry with AOD
End of Cycle Indicator	Beeper+END indication on display
Hidden Water Heater	Yes
Safety Float Switch (Leaks)	Yes
Soil (Turbidity) Sensor	Yes
DirectDrive Motor™	Yes
LoDecibel Quiet Operation	39dB
Tub Insulation	Damping Sheet, Sound Absorbing Material (felt), Base
BPA-Free Nylon Coated Racks and Tines	Yes
Anti-Bacterial Treatment (Drain hose)	Yes
Balanced Door	Yes

STYLE AND DESIGN

Finishes	Printproof™ Stainless Steel, Essence White
Status Indicators	Floor Time Display
Remaining Time Indicator	CycleTrack™ Floor Display
Tub Material	Stainless Steel
Touch	Yes
Control Panel	Top Control (Hidden Display)
Handle	Iconic Handle
Tub Light	Back Light

SMART FEATURES

Wi-Fi Enabled	Yes
---------------	-----

ENERGY/ WATER

Energy Star	Yes
Most Efficiency	Yes
CEE Tier Level	1
Energy Use (kWh/year)	220
Water Use (Gallon/Cycle)	2.9
Certification	UL (Safety), NSF (Sani)

DIMENSIONS / CLEARANCES/ WEIGHT

Unit Dimensions (WxDxH)	23 3/4" x 23 3/4" x 33 5/8"
Depth with Door Closed (Handle)	23 3/4"
Depth with Door Open	48 1/2"
Carton Dimensions (WxDxH)	28 1/32" x 29 5/8" x 34 7/8"
Clearances (WxDxH)	24" x 24" x 33 5/8"
Weight (Unit / Carton)	93lbs/ 104 lbs
Container Stuffing Quantity	140

LIMITED WARRANTY

Parts and Labor	2 Years
Control Board and Rack Parts	5 Years
Direct Drive Motor	10 Years

UPC CODE

SDNTH981S	048231350419
SDNTH981E	048231350433

SDNTH981_

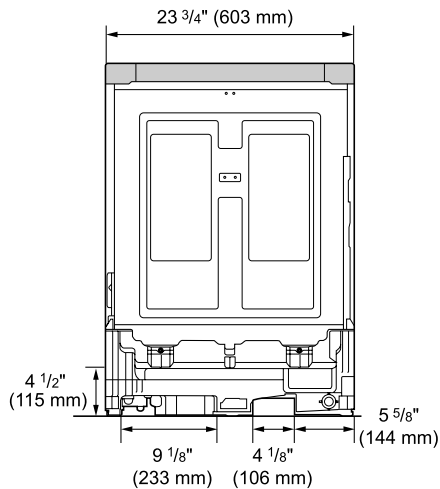
LG SIGNATURE Dishwasher

QUICK INSTALL & CLEARANCES

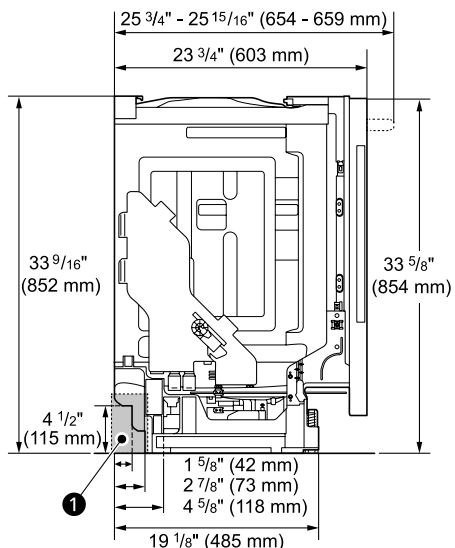
For full installation directions/clearances please refer to the corresponding User Manual and Installation Guide.

PRODUCT DIMENSIONS

Back View



Side View



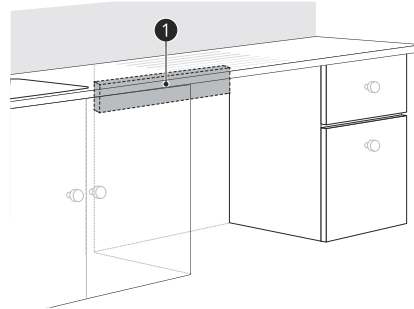
For easiest installation, see marked areas ❶ for water and electrical clearances in base of dishwasher. Water supply hose, drain hose and electric cable should be passed through this area

INSTALLATION

Preparing Cabinet Opening

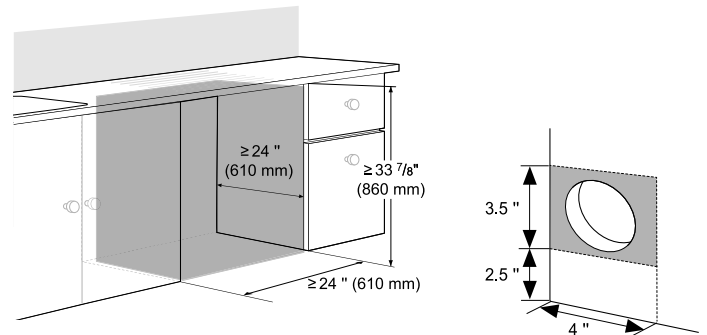
This dishwasher is designed to fit a standard dishwasher opening. An opening may be needed on both sides to route plumbing and electrical connections.

- To ensure proper drainage, install the dishwasher no more than 12 ft. (3.65 m) from the sink.
- The location must have sufficient space for the dishwasher door to open easily and provide at least 0.1" (2 mm) between the dishwasher and the cabinet sides.
- If installing the dishwasher in a corner, leave a minimum of 2" (50 mm) between the dishwasher and the adjacent wall.
- The adjacent wall must be free of obstructions.
- For flush installations only, you may remove the cabinet brace ❶ inside the cabinet.



Choosing the Proper Location

1. Select a location as close to the sink as possible for easy connections to water supply line, drain hose and electrical connection.
2. To allow for proper clearance of plumbing and electrical, use the template included with the literature to determine the clearance on the side of the cabinet where the cabinet meets the back wall. Using a $2 \frac{1}{2}$ " diameter hole saw, drill a hole in the target area as shown.



⚠ Warning

- The opening must be at least $2 \frac{1}{2}$ " (63.5 mm) in diameter to prevent damage to the cables and hoses during installation.
- Installation damage is not covered by the warranty, and leaks caused by improper installation may result in property damage.
- Do not use existing holes unless they are in the target area.
- Failure to properly locate the hole for the water and drain lines may prevent the dishwasher from installing flush with the cabinets and could result in kinked, pinched, crushed, stressed or damaged lines.